

AVF-19D

3 Phase Panel Meter



TECH SPECS

Dimension (HxWxD) mm	96 x 96 x 43
Input	3 Ø 4 Wire / 3 Ø 3 Wire / 1 Ø 2 Wire
Voltage	20-300V AC (L-N) / 35-520V AC (L-L)
Current	5/5A To 6000/5A CT Ratio Selectable
Parameters	Voltage : V_{LL} , V_{LN} , Avg Current : All Phase Amp, Avg Frequency, RPM, Load Hour
Accuracy	Class 0.5
Power Supply	230V AC 50 Hz Approx 4VA
Certification	CE

APPLICATIONS

Control & Relay Panel

Original Equipment
Manufacturers (OEMs)

Energy Management System

DG Set Panels

LT / HT Panel

Power Control Center Panels

Motor Control Center Panels

Technical Specifications

Meter type

1 Φ 2W / 3 Φ 4W / 3 Φ 3W (Selectable)

Auxiliary Power Supply

Power Supply	230V AC, 50Hz
Burden	4VA

Input

Voltage

Direct Voltage	20 To 300V (L-N) 35 TO 520V (L-L)
----------------	--

Burden	<0.2 VA
--------	---------

Current

Secondary Current AC	0.5 to 5Amp
----------------------	-------------

Burden	<0.2 VA
--------	---------

CT Ratio	5 To 6000A Programmable
----------	-------------------------

Overload	6A Continuous
----------	---------------

Starting Current	50mA
------------------	------

Frequency	45 TO 65 Hz
-----------	-------------

Physical

Mounting Type	Panel Mount
---------------	-------------

Size (H x W x D)mm	96 X 96 X 43
----------------------	--------------

Front Bezel (H x W) mm	96 X 96
--------------------------	---------

Panel Cutout (H x W) mm	92 X 92
--------------------------	---------

Depth Behind panel (mm)	43
-------------------------	----

Material	ABS
----------	-----

Accessory	2 Panel Mounting Clamp
-----------	------------------------

Weight (gm)	347
-------------	-----

Enclosure Protection	IP 65 (Front Side)
----------------------	----------------------

Terminal & Cable Size	Barrier Type terminal Cable Size (2.5 mm ²)
-----------------------	---

Display, Keys & LED

Display	3 Digit 3Line 7 seg 0.59" Red LED Display
---------	--

Key	SET/ENT, INC & DEC/SCROLL
-----	---------------------------

LED	A, KA, V _{LL} , V _{LN} , Avg, Hz, L1,L2,L3
-----	--

Environmental

Working Temperature	0 to 55 °C
---------------------	------------

Storage Temperature	0 to 55 °C
---------------------	------------

Relative Humidity	95% RH Non-condensing
-------------------	-----------------------

Warm up time	5 minutes
--------------	-----------

Calculated Parameters

Voltage	Voltage : (3 Φ - 3W) (Line to Line) (3 Φ - 4W) (Line to Neutral) & (Line to Line)
---------	---

Current	Current all Phase Avg Amp
---------	------------------------------

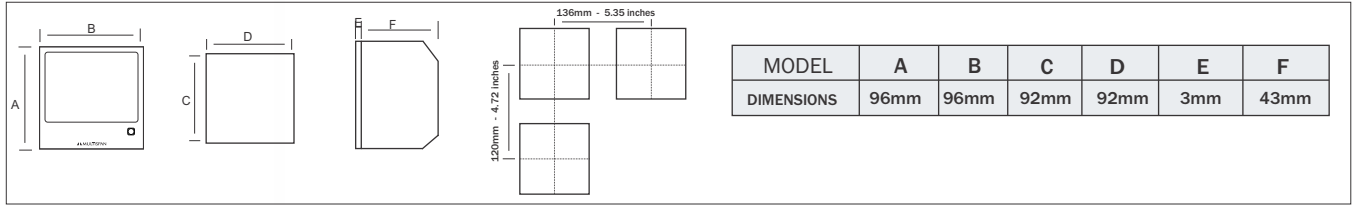
Frequency	System Frequency
-----------	------------------

RPM & Load Hour (UP to 9999)

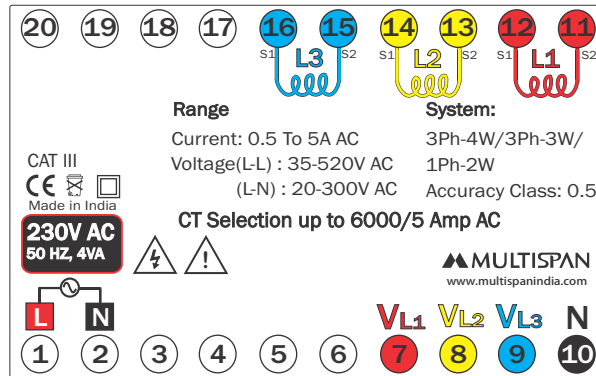
Accuracy

Class 0.5

Mechanical Dimension



Connection Diagram



Multispan reserves the right to change specifications without prior notice. Printing and typographical errors reserved.
 Product improvement and upgrade is a constant procedure. So for more updated operating information & support contact us.

Multispan Control Instruments Pvt. Ltd.

72/B, Phase 1, GIDC Estate, Vatva, Ahmedabad-382445, Gujarat, India.

+91-7575805463/7623001206

support@multispanindia.com

Follow us



www.multispanindia.com