

PID TEMPERATURE CONTROLLER PID-4203-1C



TECH SPECS

Model	PID-4203C (3CT)
Dimension (HxWxD) mm	48 x 48 x 95
Panel Cutout (mm)	45 x 45
Input	Thermocouple:- J/ K (Configurable) RTD:- PT-100 Ampere:- 3CT
Range	Thermocouple:- J: 0 to 600° C, K: 0 to 1200° C RTD:- PT-100: - 99 to 400° C Ampere :- 0.0 to 30.0A / 0.0 to 60.0A, 3CT
Output	3 Relay, 5A@230V AC For resistive Load, & SSR 12V DC,30mA Parallel (3 Setpoint)
Control Action	PID / ON-OFF (Configurable)
Mode	Relay 1:- Heating Relay 2:- Cooling Relay 3:- Alarm
Power Supply	100-250V AC(SMPS), 50/60 Hz
Certification	

APPLICATIONS

Packaging Machinery

Extrusion Machinery

Furnace & Boilers

Ovens & Incubators

Food Industry

Technical Specifications

Input	
Input Type	Thermocouple : J, K RTD : PT-100 Ampere : 3CT
Display Range	Refer (Table 1)
Accuracy	± 1% of FSD
ADC Resolution	10 Bits
Display Resolution	Thermocouple : 1 °C Ampere : 0.1A
Sampling Time	600mSec
CJC Error	± 2 °C
Sensor Open	All Input
Sensor Burnout Current	1.10uA
RTD Excitation Current	0.2mA
CMRR	>120 db (Typical)
Input Impedance	>1M
Max Voltage	20V DC
CT Input	CT Module (3 CT-30/60Amp Factory Set)

Output	
Control Output	
Control Type	ON-OFF, Auto tune PID
Proportional Band	0000 to 999.9
Integral Time	0000 to 9999
Derivative Time	0000 to 9999
Cycl Time -For SSR -For Relay	4 sec to 99 sec
Relay Control Output	
Relay	3 Nos.
Rating	Relay 1: 5A @230V AC / 28V DC Resistive Load Relay 2: 5A @230V AC / 28V DC Resistive Load Relay 3: 5A @230V AC / 28V DC Resistive Load
SSR Control Output	
Rating	12V DC @30mA

Table 1 (Sensor Range)

J	0 to 600 °C
K	0 to 1200 °C
PT-100	-99 to 400 °C
Ampere	0.0 to 30.0A/0.0 to 60.0A

Power Supply	
Standard	100 - 250V AC @ 50/60 Hz
Optional	24V DC
Consumption	4VA

Display	
Process Value	UPPER:- 4 Digit 7 seg 0.39",RED LED Display
Ampere	LOWER:- 3 Digit 7 seg 0.28",GREEN LED Display
LED Indication	Relay OR SSR and Ampere

Environmental	
Operating Temperature	0 to 55 °C
Storage Temperature	0 to 70 °C
Humidity	95% RH Non-condensing
Protection	IP 65 (Front Side)

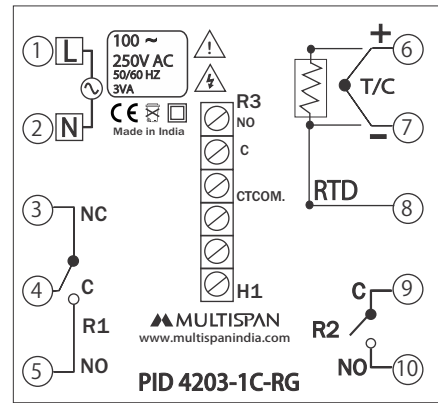
Keys

4 controlling keys for configuration and operation
SET, UP, DOWN, ENT

Physical

	PID-4203C
Enclosure	Molded ABS
Weight	250gm
Color	Black
Front Bezel (mm)	48 x 48
Panel cutout (mm)	45 x 45
Depth behind panel	70 mm
Accessories	1 pair of Mounting clamp
Terminal Cable Size	Barrier Type terminal Cable Size (2.5 mm ²)
Current Transformer (CT)	
Dimension (HxWxD) mm	43.5 x 29.5 x 45.5
Mounting	Rail Mounting
Inner Diameter (mm)	6.3
Screw Torque	0.4Nm
CT Input	Primary :- 30A CT Secondary :- 12mA
Note :- For this application 3 numbers of CT's are provided.	

Terminal Connection



Calculated Parameters

Outline Dimension (mm)	Panel Cutout Dimension (mm)
<p>48</p> <p>48</p> <p>45</p> <p>45</p> <p>3</p> <p>95</p>	<p>45</p> <p>45</p>

Multispan reserves the right to change specifications without prior notice. Printing and typographical errors reserved.
Product improvement and upgrade is a constant procedure. So for more updated operating information & support contact us.

Multispan Control Instruments Pvt. Ltd.

72/B, Phase 1, GIDC Estate, Vatva, Ahmedabad-382445, Gujarat, India.

+91-7575805463/7623001206

support@multispanindia.com

Follow us



www.multispanindia.com