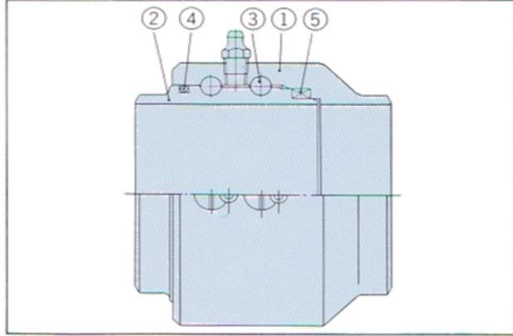


SWIVEL JOINT (U-4000 SERIES)



tel : 012-3868942 / 016-2285297 email : sales@lwgi.com.my website: www.lwgi.com.my

LWG INDUSTRIAL SDN BHD
202301019617 (1513539-K)



Carbon Steel, Stainless Steel

Fluid : Water, Air, Oil, Gas, Petroleum Products
Max.Service Temperature : 100°C NBR Packing
180°C Viton Packing
230°C TFE Packing

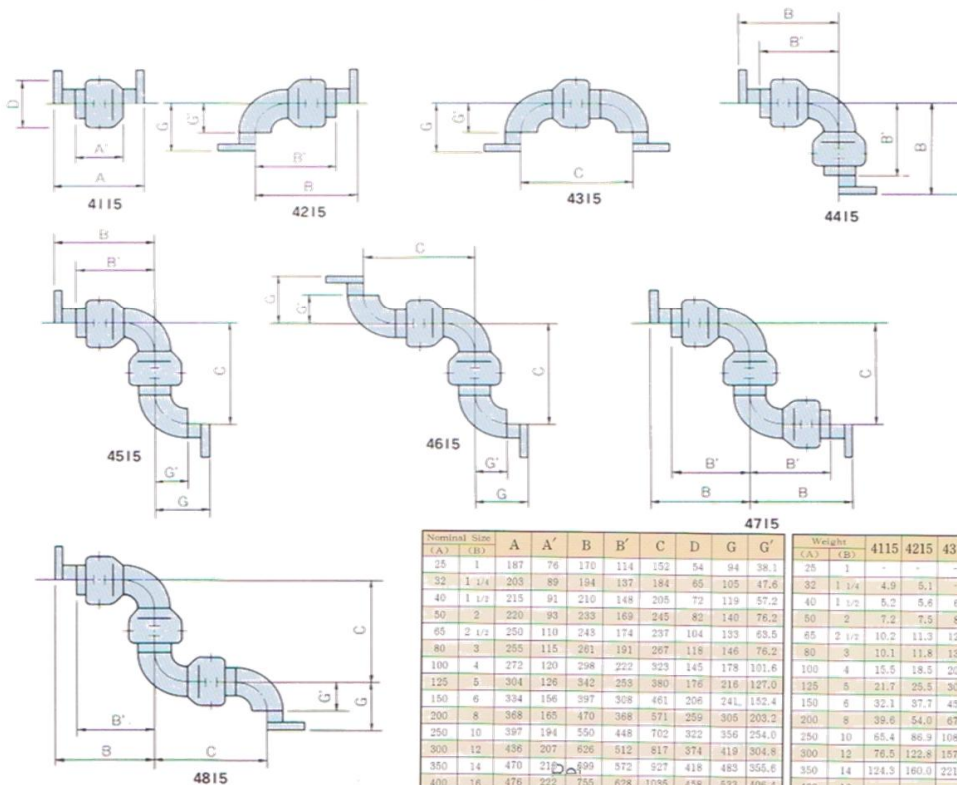
Max.Service Pressure : 20kg/cm²G

Connection : Flange, Thread, Bevel ends, Socket welds

Double ball-race swivel joint for low pressure service.

Seal : O-ring(NBR or Viton), spring-loaded TFE packing

REF.NO.	DESCRIPTION
1	BODY
2	NIPPLE
3	STEEL BALL
4	O-RING
5	PACKING



Unit : mm

Unit : kg