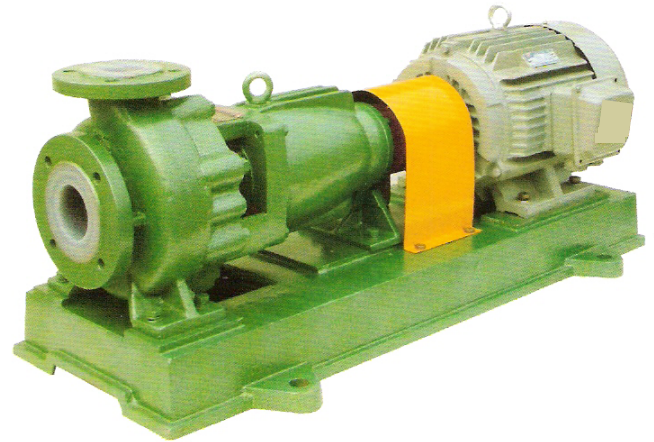




MPF Mechanically Sealed Pump



Flow (m /hr)	3 - 480
Max. Head (m)	4 - 82
Temperature (c)	-20°c - 100°c
Design	Back Pull Out End Suction Coupling
Features	PFA Lined

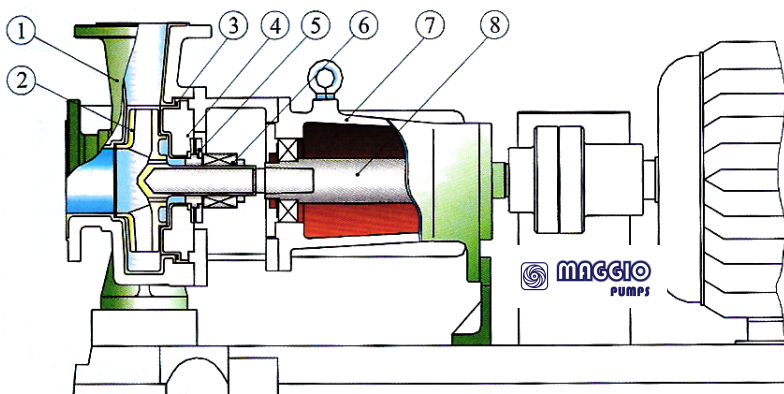
*PFA-Perfluoroalkoxy, Teflon-PFA

● Application ●

Petrochemical, Chemical Processing, Bulk Unload & Transfer, Plating Recirculation / Filtration, PCB Etching / Rinse, Fumes Scrubber, Waste Water Treatment, Electronics Manufacturing, Underground Storage Tank, Top Opening Tank, Sumps, Phamaceutical & Photo Processing, Slurry Waste, Abrasives Waste, Scale & Sediments And Any Hazardous Chemical Applications...

Structure Diagram & Material

For Pump Inlet / Discharge Less Than 150mm Diameter.



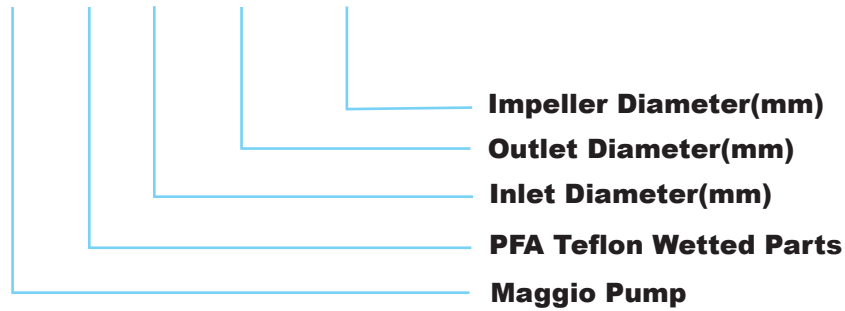
No	Structure	Material
1	Pump Body	PFA Lined / HT200
2	Impeller	PFA - Teflon
3	O-Ring	Viton / PTFE
4	Pump Cover	PFA - Teflon
5	Seal Cover	1Cr18Ni9Ti
6	Mechanical seal	Silicon Carbide
7	Bearing Housing	HT200
8	Shaft	Stainless Steel / PFA - Teflon

*PFA-Perfluoroalkoxy, Teflon-PFA



Type Keys

MP F 50 - 32 - 160



Impeller Diameter(mm)

Outlet Diameter(mm)

Inlet Diameter(mm)

PFA Teflon Wetted Parts

Maggio Pump

Specifications

*PFA-Perfluoroalkoxy, Teflon-PFA

(n=2900r/min)

No	Model	Flow Rate (m ³ /hr)	Head (m)	Efficiency (%)	NPSH (m)	Inlet/Outlet Diameter (mm)	Speed (r/min)	Power (kw)	kg
1	MPF 40-25-160	*6.3	32	30	3.0	40X25	2900	3	124
		8	32	31					
		10	30	32					
2	MPF 40-25-200	*6.3	50	20	3.0	40X25	2900	5.5	170
		8	50	23					
		10	48	30					
3	MPF 40-32-250	*6.3	80	20	5.0	40X32	2900	11	255
		8	80	24					
		12	78	34					
4	MPF 50-32-125	7	22	47	3.2	50X32	2900	2.2	110
		*12.5	20	52					
		15	16	50					
5	MPF 50-32-160	7	33	35	3.2	50X32	2900	4	135
		*12.5	32	47					
		15	30	47					
6	MPF 50-32-200	7	51	28	3.2	50X32	2900	7.5	180
		*12.5	50	40					
		15	49	48					
7	MPF 50-32-250	7	80	21	5.0	50X32	2900	11	255
		*12.5	80	34					
		15	77	38					
8	MPF 65-50-125	15	22	46	3.5	65X50	2900	3	135
		*25	20	61					
		35	16	67					
9	MPF 65-50-160	15	33	45	3.5	65X50	2900	5.5	155
		*25	32	56					
		35	30	65					
10	MPF 65-40-200	15	52	35	3.5	65X40	2900	11	210
		*25	50	51					
		35	46	48					
11	MPF 65-40-250	15	82	33	3.5	65X40	2900	18.5	360
		*25	80	48					
		35	72	50					
12	MPF 80-65-125	35	22	52	4.0	80X65	2900	5.5	195
		*50	20	65					
		60	18	70					
13	MPF 80-65-160	35	33	60	4.0	80X65	2900	11	228
		*50	32	64					
		60	27	53					
14	MPF 80-50-200	35	52	55	4.0	80X50	2900	15	250
		*50	50	63					
		60	45	55					

Note : All specifications subject to change without prior notice.

www.lwgi.com.my



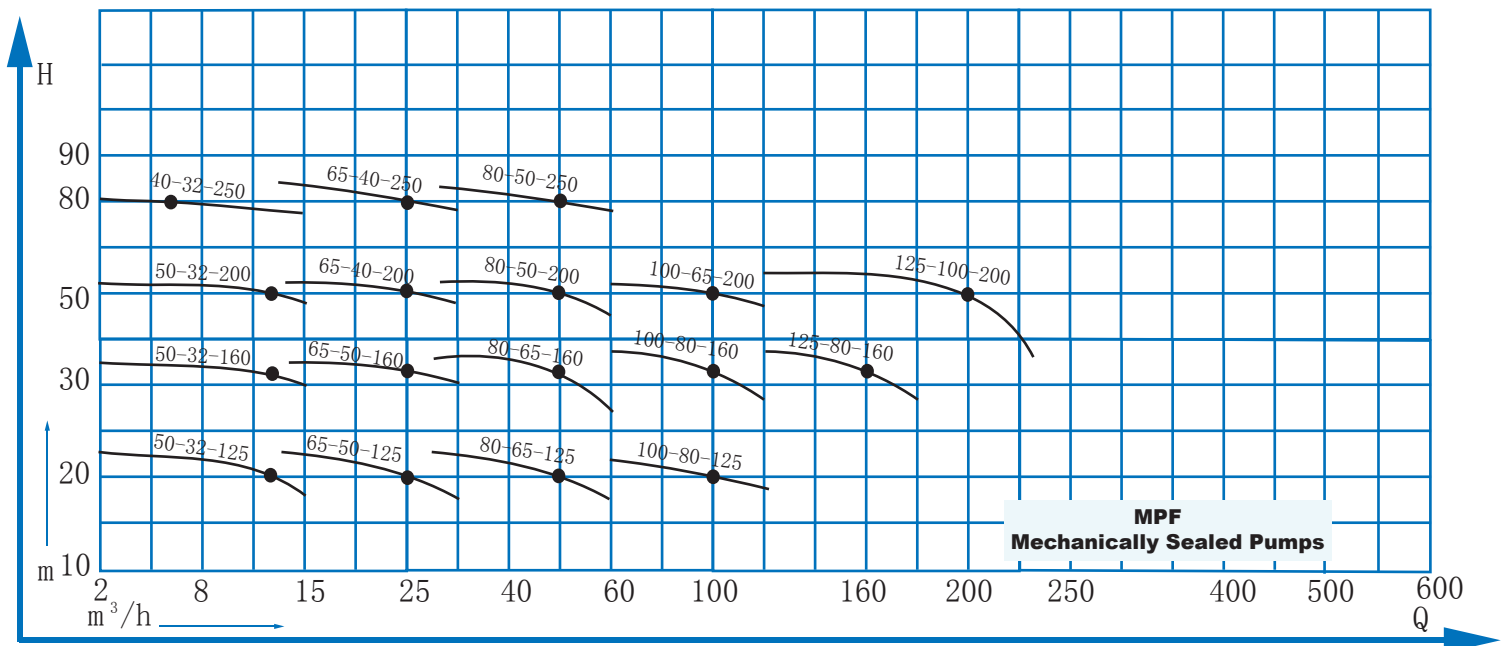
(n=2900r/min)

No	Model	Flow Rate (m ³ /hr)	Head (m)	Efficiency (%)	NPSH (m)	Inlet/Outlet Diameter (mm)	Speed (r/min)	Power (kw)	kg
15	MPF 80-50-250	35	82	48	4.5	80X50	2900	30	480
		*50	80	56					
		60	72	50					
16	MPF 100-80-125	65	22	62	4.5	100X80	2900	11	245
		*100	20	65					
		120	17	68					
17	MPF 100-80-160	65	35	65	5.0	100X80	2900	15	250
		*100	32	70					
		110	26	65					
18	MPF 100-65-200	65	51	62	5.0	100X65	2900	30	480
		*100	50	68					
		120	43	56					
19	MPF 100-65-250	65	82	60	5.0	100X65	2900	55	
		*100	80	65					
		120	65	70					
20	MPF 125-80-160	100	38	57	5.0	125X80	2900	30	630
		*160	32	64					
		180	26	52					
21	MPF 125-100-200	120	55	63	6.0	125X100	2900	55	1000
		*200	50	65					
		220	45	62					

Performance Curve

Performance Curve Base On Clean Water (20°C)

(n=2900r/min)



Note : All specifications subject to change without prior notice.

www.lwgi.com.my



Specifications

(n=1450r/min)

No	Model	Flow Rate (m ³ /hr)	Head (m)	Efficiency (%)	NPSH (m)	Inlet/Outlet Diameter (mm)	Speed (r/min)	Power (kw)	kg
1	MPF 40-32-250	*3	20	20	5.0	40X32	1450	1.5	
		4	20	24					
		6	19.5	34					
2	MPF 50-32-125	3.5	4.5	47	3.2	50X32	1450	0.55	
		*6.3	5	52					
		7.5	4	50					
3	MPF 50-32-160	3.5	9	35	3.2	50X32	1450	0.55	
		*6.3	8	47					
		7.5	7.5	47					
4	MPF 50-32-200	3.5	12.8	28	3.2	50X32	1450	1.1	
		*6.3	12.5	40					
		7.5	12.3	48					
5	MPF 50-32-250	3.5	20	21	5.0	50X32	1450	1.5	
		*6.3	20	34					
		7.5	19.3	38					
6	MPF 65-50-125	7.5	3.8	46	3.5	65X50	1450	0.55	
		*12.5	5	61					
		17.5	4	67					
7	MPF 65-50-160	7.5	8.8	45	3.5	65X50	1450	1.1	
		*12.5	8	56					
		17.5	7.5	65					
8	MPF 65-40-200	7.5	13	35	3.5	65X40	1450	1.5	
		*12.5	12.5	51					
		17.5	11.5	48					
9	MPF 65-40-250	7.5	20.5	33	3.5	65X40	1450	3	
		*12.5	20	48					
		17.5	18	50					
10	MPF 80-65-125	17.5	5.5	52	4.0	80X65	1450	1.1	
		*25	5	65					
		30	4.5	70					
11	MPF 80-65-160	17.5	8.3	60	4.0	80X65	1450	1.5	
		*25	8	64					
		30	6.8	53					
12	MPF 80-50-200	17.5	13	55	4.0	80X50	1450	2.2	
		*25	12.5	63					
		30	11.3	55					
13	MPF 80-50-250	17.5	20.5	48	4.5	80X50	1450	2.2	
		*25	20	56					
		30	11.3	50					
14	MPF 100-80-125	32.5	5.5	62	4.5	100X80	1450	1.5	
		*50	5	65					
		60	4.3	68					
15	MPF 100-80-160	32.5	8.8	65	5.0	100X80	1450	2.2	
		*50	8	70					
		55	6.5	65					
16	MPF 100-65-200	32.5	12.8	62	5.0	100X65	1450	5.5	
		*50	12.5	68					
		60	10.8	56					
17	MPF 100-65-250	32.5	20.5	60	5.0	100X65	1450	5.5	
		*50	20	65					
		60	16.3	70					
18	MPF 125-80-160	50	9.5	57	5.0	125X80	1450	5.5	
		*80	8	64					
		90	6.5	52					

Note : All specifications subject to change without prior notice.

www.lwgi.com.my

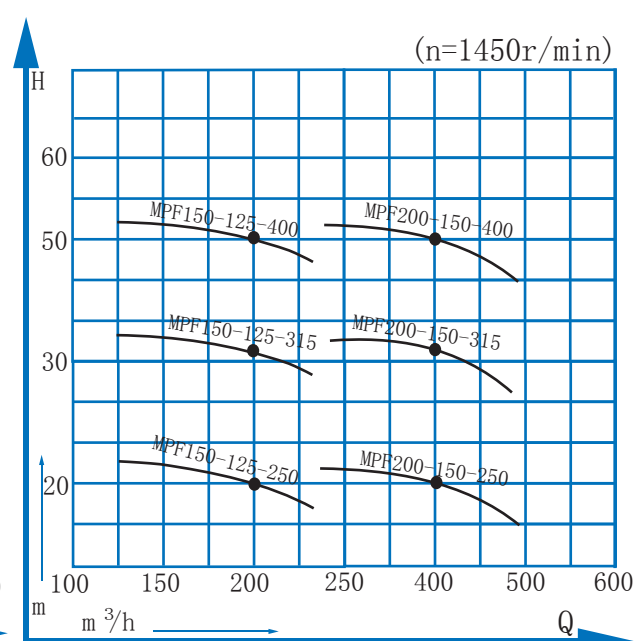
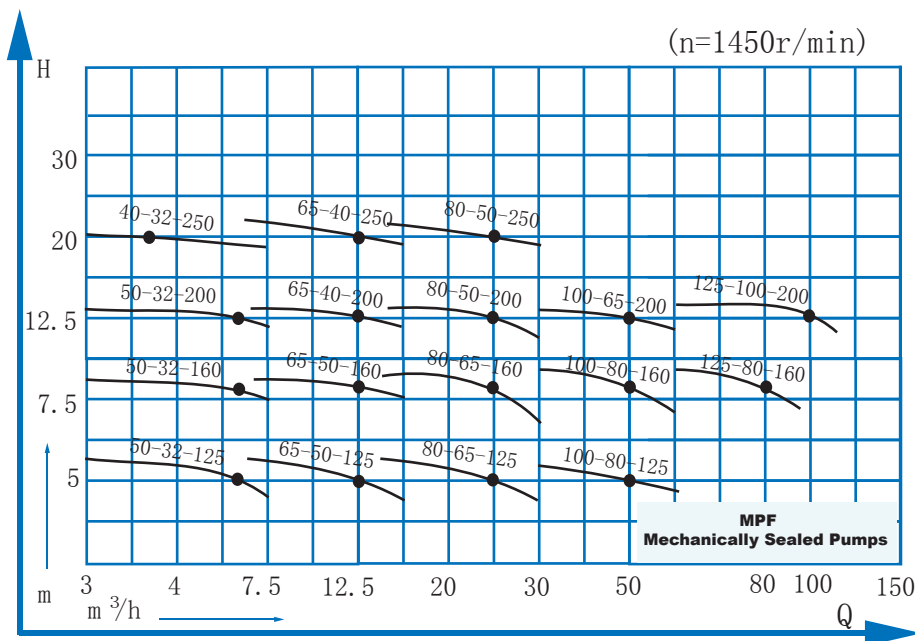


(n=1450r/min)

No	Model	Flow Rate (m ³ /hr)	Head (m)	Efficiency (%)	NPSH (m)	Inlet/Outlet Diameter (mm)	Speed (r/min)	Power (kw)	kg
19	MPF 125-100-200	60	13.8	63	6.0	125X100	1450	11	
		*100	12.5	65					
		110	11.3	62					
20	MPF 150-125-250	120	22	60	7.0	150X125	1450	22	
		*200	20	65					
		240	18	64					
21	MPF 150-125-315	120	35	54	7.0	150X125	1450	45	
		*200	32	63					
		240	30	62					
22	MPF 150-125-400	120	55	50	7.0	150X125	1450	75	1180
		*200	50	62					
		240	47	62					
23	MPF 200-150-250	240	22	50	7.5	200X150	1450	55	
		*400	20	63					
		480	17	62					
24	MPF 200-150-315	240	36	55	7.5	200X150	1450	75	1180
		*400	32	64					
		480	29	63					
25	MPF 200-150-400	240	55	50	7.5	200X150	1450	110	
		*400	50	62					
		480	46	62					

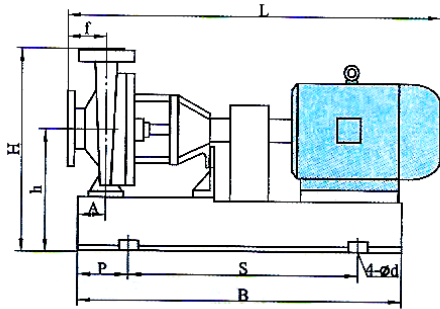
Performance Curve

Performance Curve Base On Clean Water (20°C)

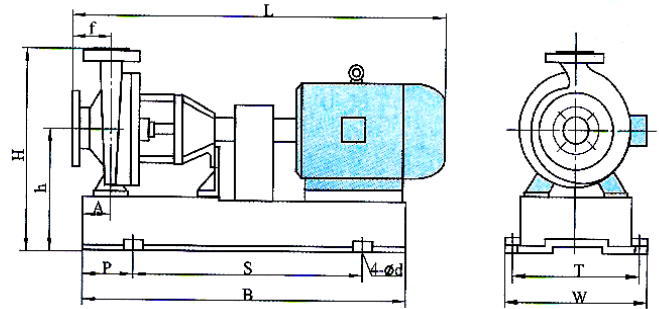


Note : All specifications subject to change without prior notice.

Dimensions



(2900r/min)



(1450r/min)

(2900r/min)

Model	L	B	S	P	A	W	T	H	h	f	4-∅d
MPF 40-25-160	1025	895	590	155	80	395	330	392	232	80	4-∅25
MPF 40-25-200	1075	990	650	170	80	450	380	440	260	80	4-∅25
MPF 40-32-250	1200	1130	720	205	95	485	435	480	280	100	4-∅25
MPF 50-32-125	950	895	590	155	80	395	330	352	212	80	4-∅19
MPF 50-32-160	1025	895	590	155	80	395	330	392	232	80	4-∅25
MPF 50-32-200	1075	990	650	170	80	450	380	440	260	80	4-∅25
MPF 50-32-250	1200	1130	720	205	95	485	435	480	280	100	4-∅25
MPF 65-50-125	995	895	590	155	80	395	330	352	212	80	4-∅25
MPF 65-50-160	1075	990	650	170	80	450	380	392	232	80	4-∅25
MPF 65-40-200	1180	1130	720	205	95	485	435	440	260	100	4-∅25
MPF 65-40-250	1350	1270	840	215	100	490	440	510	280	100	4-∅25
MPF 80-65-125	1095	990	655	170	80	450	400	392	232	100	4-∅25
MPF 80-65-160	1180	1130	720	205	95	485	435	440	260	100	4-∅25
MPF 80-50-200	1180	1130	720	205	95	485	435	460	260	100	4-∅25
MPF 80-50-250	1543	1420	940	240	95	610	550	525	300	125	4-∅25
MPF 100-80-125	1180	1130	720	205	95	485	435	440	260	100	4-∅25
MPF 100-80-160	1180	1130	720	205	95	485	435	460	260	100	4-∅25
MPF 100-65-200	1543	1420	940	240	95	610	540	525	300	100	4-∅25
MPF 125-80-160	1543	1420	940	240	95	610	540	525	300	125	4-∅25
MPF 125-100-200	1690	1620	1055	280	110	660	600	650	370	125	4-∅28

(1450r/min)

Model	L	B	S	P	A	W	T	H	h	f	4-∅d
MPF 40-32-250	945	920	600	155	80	390	350	480	280	100	4-∅19
MPF 50-32-125	900	820	540	140	80	360	320	352	212	80	4-∅19
MPF 50-32-160	900	820	540	140	80	360	320	392	232	80	4-∅19
MPF 50-32-200	925	820	540	140	80	360	330	440	260	80	4-∅19
MPF 50-32-250	945	920	600	155	80	390	350	480	280	100	4-∅19
MPF 65-50-125	900	820	540	140	80	360	320	352	212	80	4-∅19
MPF 65-50-160	925	820	540	140	80	360	330	392	232	80	4-∅19
MPF 65-40-200	945	920	600	155	80	390	350	440	260	100	4-∅19
MPF 65-40-250	1130	1000	660	170	95	450	400	510	280	100	4-∅25
MPF 80-65-125	925	920	540	140	80	360	330	392	232	100	4-∅19
MPF 80-65-160	970	920	600	155	80	390	350	440	260	100	4-∅19
MPF 80-50-200	1015	920	600	155	80	390	350	460	260	100	4-∅19
MPF 80-50-250	1250	1060	660	200	95	490	440	525	300	125	4-∅25

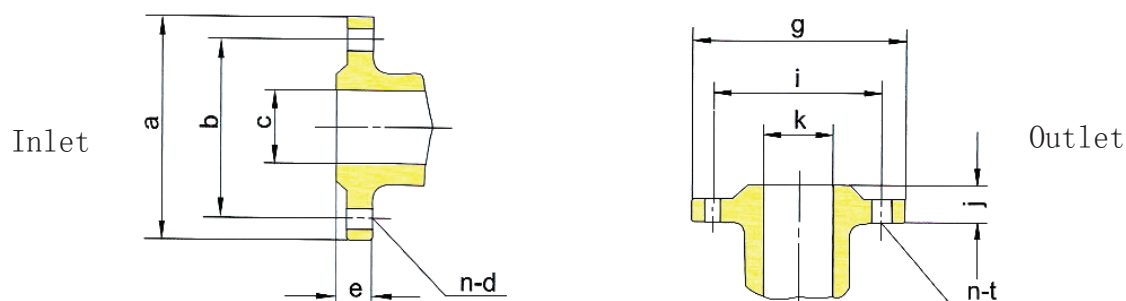
Note : All specifications subject to change without prior notice.

Dimensions

(1450r/min)

Model	L	B	S	P	A	W	T	H	h	f	4- ϕ d
MPF 100-80-125	970	920	600	155	80	390	350	440	260	100	4- ϕ 25
MPF 100-80-160	1130	1000	660	170	95	450	400	480	280	100	4- ϕ 25
MPF 100-65-200	1250	1060	660	200	95	490	440	525	300	100	4- ϕ 25
MPF 125-80-160	1250	1060	660	200	95	490	440	525	300	125	4- ϕ 25
MPF 125-100-200	1355	1270	840	215	95	540	490	650	370	125	4- ϕ 28
MPF 150-125-400	1830	1800	1200	300	140	730	670	840	440	140	4- ϕ 28
MPF 200-150-315	1980	1800	1200	300	140	730	670	840	440	165	4- ϕ 28
MPF 200-150-400	2150	1850	1200	300	140	730	670	890	440	165	4- ϕ 28

Dimensions



Model	Inlet					Outlet				
	c	a	b	e	n- ϕ d	k	g	i	j	n- ϕ t
MPF 40-25-160	40	150	110	20	4-M16	25	115	85	18	4-M12
MPF 40-25-200	40	150	110	20	4-M16	25	115	85	18	4-M12
MPF 40-32-250	40	150	110	20	4-M16	25	115	85	18	4-M12
MPF 50-32-125	50	165	125	20	4- ϕ 18	32	140	100	18	4-M16
MPF 50-32-160	50	165	125	20	4- ϕ 18	32	140	100	18	4-M16
MPF 50-32-200	50	165	125	20	4- ϕ 18	32	140	100	18	4-M16
MPF 50-32-250	50	165	125	20	4- ϕ 18	32	140	100	18	4-M16
MPF 65-50-125	65	185	145	20	4- ϕ 18	50	165	125	20	4-M16
MPF 65-50-160	65	185	145	20	4-M16	50	165	125	20	4- ϕ 18
MPF 65-40-200	65	185	145	20	4- ϕ 18	40	150	110	18	4-M16
MPF 65-40-250	65	185	145	20	4- ϕ 18	40	150	110	18	4- ϕ 18
MPF 80-65-125	80	200	160	20	8- ϕ 18	65	185	145	20	4- ϕ 18
MPF 80-65-160	80	200	160	20	8- ϕ 18	65	185	145	20	4- ϕ 18
MPF 80-50-200	80	200	160	20	8- ϕ 18	50	165	125	20	4-M16
MPF 80-50-250	80	200	160	20	8- ϕ 18	50	165	125	20	4- ϕ 18
MPF 100-80-125	100	220	180	22	8- ϕ 18	80	200	160	20	8-M16
MPF 100-80-160	100	220	180	22	4-M16	80	200	165	20	4-M16
MPF 100-65-200	100	220	180	22	8- ϕ 18	65	185	145	20	4- ϕ 18
MPF 125-80-160	125	250	210	22	8- ϕ 18	80	200	160	20	8- ϕ 18
MPF 125-100-200	125	250	210	22	8-M16	100	220	180	20	8-M16
MPF 150-125-400	150	285	240	30	8- ϕ 20	125	245	210	27	8-M16
MPF 200-150-315	200	340	295	33	12- ϕ 23	150	285	240	28	8-M20
MPF 200-150-400	200	340	295	33	12- ϕ 23	150	285	240	28	8-M20

Note : All specifications subject to change without prior notice.