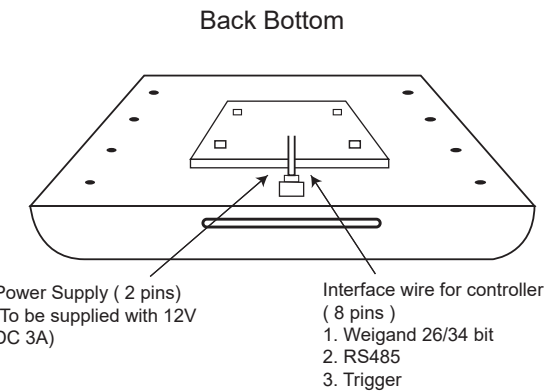
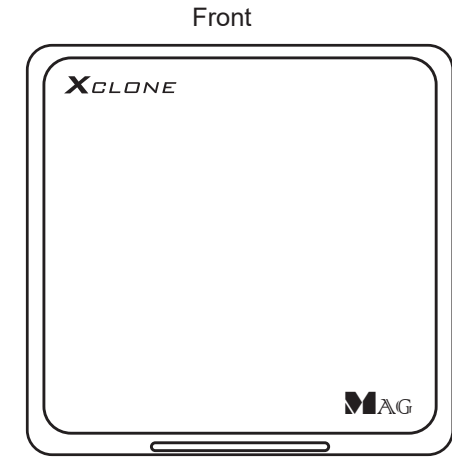
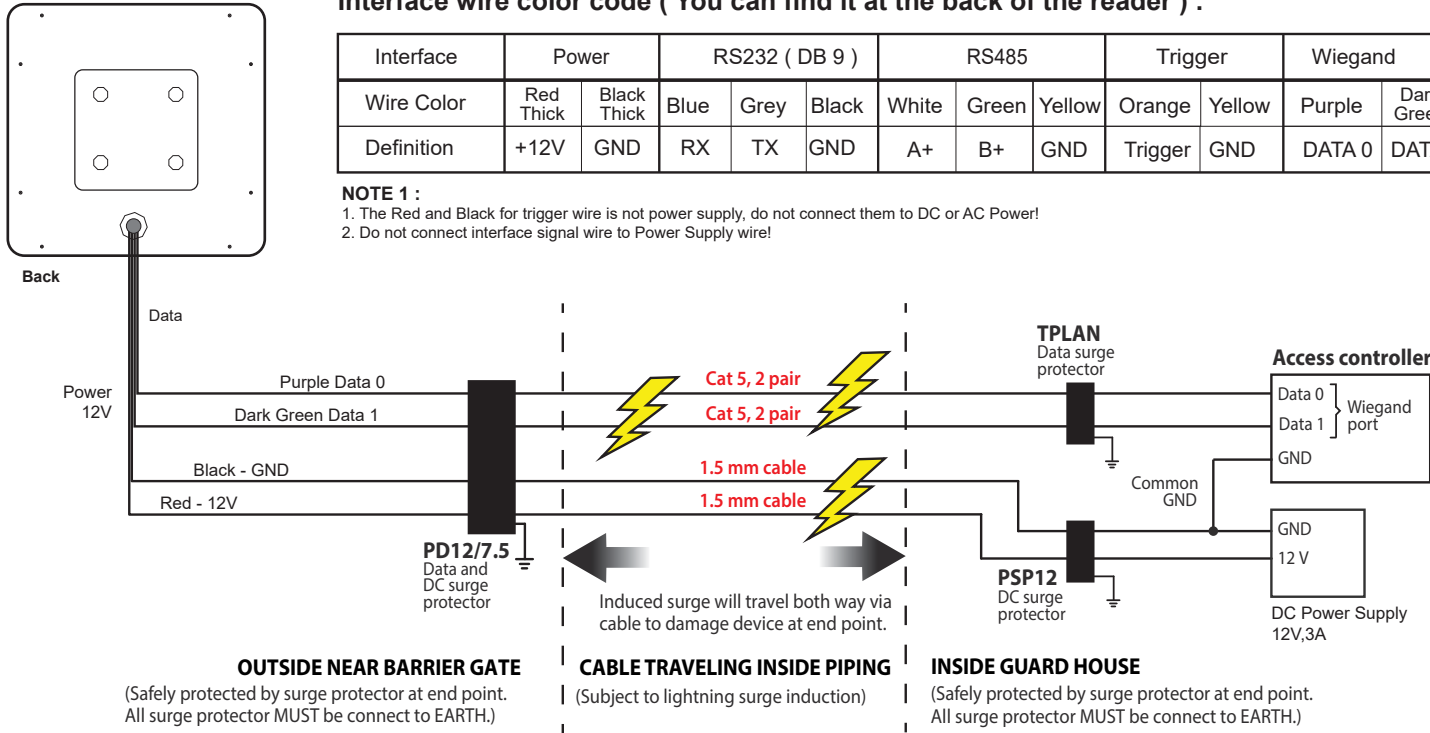


**Interface wire color code ( You can find it at the back of the reader ) :**

Interface	Power		RS232 ( DB 9 )			RS485			Trigger		Wiegand		
Wire Color	Red Thick	Black Thick	Blue	Grey	Black	White	Green	Yellow	Orange	Yellow	Purple	Dark Green	Yellow
Definition	+12V	GND	RX	TX	GND	A+	B+	GND	Trigger	GND	DATA 0	DATA 1	GND

**NOTE 1 :**

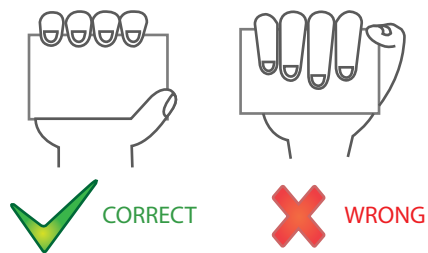
1. The Red and Black for trigger wire is not power supply, do not connect them to DC or AC Power!
2. Do not connect interface signal wire to Power Supply wire!



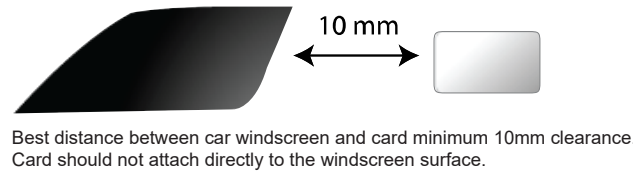
**1 . Installation Guide**



**2 . Correct way to hold RFID card**



**3 . Distance between windscreen and card**



**4 . Installation Tips**

1. Reading range may become short if used on premium solar film with heavy metal element such as Vkoool or 3M. Reading range might also be affected by interference from surrounding environment.
2. Wiegand data wiring length shall be less than 5 meter.
3. Please use 1.5 mm cable for 12V DC power. DC voltage will decrease if cable is too long. Reader will beep if the voltage supplied is less than 9V.
4. By default, reader will only read the same card after 5 sec. Please test continuous reading with at least 2 different cards.

**5 . Surge protection**

- a) AR300U Xclone installed outdoor is subject to damaged by lightning surge. It is compulsory to install data and power surge protector as shown in wiring diagram.
- b) Good Earth connection onto the metal pole and all metal housing will give extra protection against damage by lightning surge.