



Fully automated motorized flap barrier

Model : FLB140 series

FLB140 series is optimized to achieve the best balance of quality, performance and affordability.

FLB140 series slim design and enhanced premium hair line polish can elevate the prestige elegant impression while still effectively restricting unauthorized visitors from your entrance. Access control, fingerprint, bar code or time attendance reader can easily integrated into flap barrier.

FLB140 series is an ideal solution for railway, stadium, factory and commercial building. Its stylish design can easily fit into any modern contemporary building.

Premium
Hairline



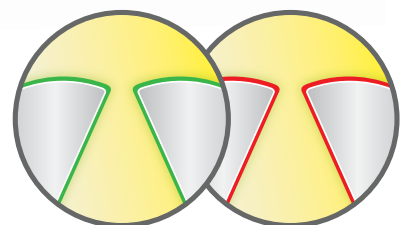
Automate and secure your entrance in style



SPECIAL EFFECT

Green light lining along the edge of transparent wing.

Lining will become red to indicate alarm status



Simplified design significantly reduce installation cost, spare part cost and maintenance cost. Full spare part is available so that you can have peace of mind using MAG product.

Feature

1 WIDER OPENING

Compared to tripod turnstile, flap barrier offers wider opening to cater for bigger size pedestrian, luggage or big parcel to pass through easily.

2 SAFETY IS PRIORITY

Flap gate will automatically open during power failure. Flap barrier also can be triggered to permanently open during emergency to facilitate fast evacuation. Closing flap wing will autoreverse to avoid any injury to pedestrian still inside the lane.

3 FLEXIBLE SECURITY

Closing flap wing can be paused instead of autoreversed when detected someone in the lane to make it more difficult to tailgate. So you can choose higher security or higher safety.

4 ALARM DETECTION

IR Sensors detect unauthorized or abnormal access. Both wing will become red color to alert security guard for alarm status more effectively.

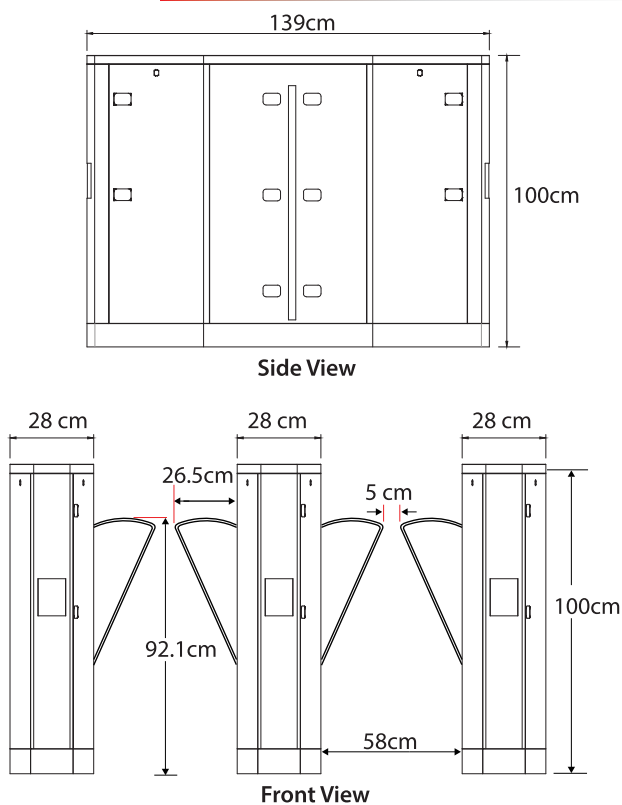
5 AUTO CLOSE TIMER

Flap will close automatically if there is no pedestrian passing through after the delay time elapsed. This avoid unauthorized user from sneaking into the building when flap was opened wrongly.

Technical specification

Description	Parameters
Power supply	AC220±15%V 50Hz/ AC110±15%V 60Hz
Access control integration	Dry contact
Motor voltage	DC 12V (brush motor)
Max flow rate	20 to 30 people per minute
Flap opening /closing time	0.8s
Reset time when power on	3s
Working temperature	25°C -50°C

Dimension



Special customization

We streamlined the design added a durable matte finish with 3 colors customization (black, maroon and dark wood) to make the FLB140 look premium and versatile without the high cost.



Black



Maroon



Dark Wood

Ordering Info

Model No	Description
FLB141	Single door panel
FLB142	Dual door panel



Authorised Dealer:

Copyright © 2016 Magnet Security & Automation Sdn Bhd. All rights reserved.

All specification, drawing and product info are subject to change without prior notice.