



Ensuring Your
Peace of Mind.

SPECIFICATION

17 APRIL 2023, V1

TTS351L Semi Automatic Tripod Turnstile

WWW.MAG.COM.MY



Description

MAG TTS351L an electro mechanical waist height tripod turnstile. It's unique mechanical drive design allow the arm to be pushed effortlessly and auto-rotate high volume human traffic (up to 25 person per minutes) while still maintaining a welcoming atmosphere. They can easily be integrated with any electronic system for ticketing, access control or time attendance.

Application

TTS351L series is suitable for indoor only. It is NOT suitable to be installed outdoor or near sea side. They are optimized economical solution for railway, bus station, factory, colleges, commercial buildings, library, stadium, game park, bank and etc.

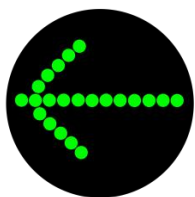
Features

- ✓ **Easy Maintenance**, Common parts are modular and can be easily changed by simply removing screws. Top cover can be opened for full access into internal mechanism during servicing. Regular wear and tear parts can be purchased to keep stock for faster replacement.
- ✓ **Semi -Auto Rotation**, Its unique mechanical drive design allow the arm to be pushed effortlessly and auto-rotate back without any expensive electric motor. If arm rotated more than half, it will auto rotate to the next idle position. If arm rotated less than half, it will auto rotate back to the current idle position. Adjustable absorber controls rotation force to minimize loud sound and avoid over rotation.
- ✓ **Anti Tail-Gating**, DLAR technology provide dual level smart lock to ensure that user can only move forward to pass through one person at a time. Arm will automatically lock back if nobody pass through after a preset delay time.
- ✓ **User Friendly**, LED at top cover indicated approved entry direction after flash card. LED at each leg indicate if the lane is available or closed down for servicing. During power failure, arm will drop automatically allowing free pass through. Arm is manually lifted up back to position after power resumed.
- ✓ **Easy Integration**, Turnstile is triggered to open via dry contact relay output for bi-directional or uni-directional entry. RFID reader can be easily installed underneath side black acrylic. Top cover and side leg can be opened to install external devices.

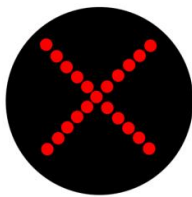
Technical Parameters

Description	Parameters
Body Material	Acrylic Glass, SS304 Stainless Steel, 1.0mm
Dimension	1235mm (L) x 560mm(H) x 275mm(W)
Net Weight	75Kg
Passage Width (arm length)	520mm(L)
Optimal flow rate	20 to 25 people per minute
Response Time	0.3 second
Power supply	AC220/110V±10%, 50/60Hz
Operating Voltage	24VDC
Operating Current	38W
Operating Current (Idle)	16W
Working Temperature	-25°C - 55°C
Relative Humidity	≤ 90%
Internal Mechanism	Mild Steel
Arm Disc	Alloy chrome
IP Rating	IP53

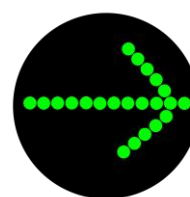
LED Information



Direction from left

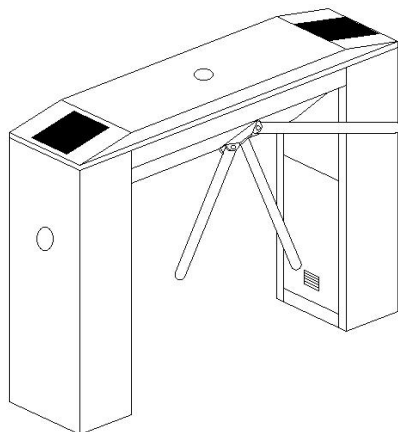


Default

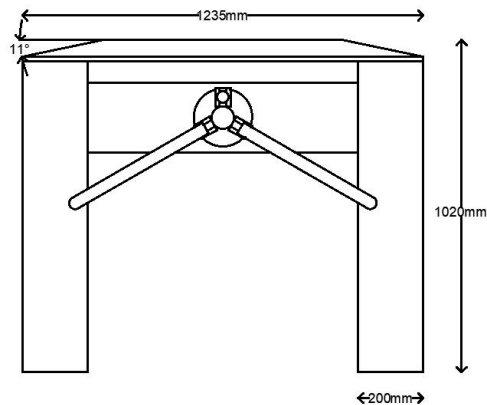


Direction from right

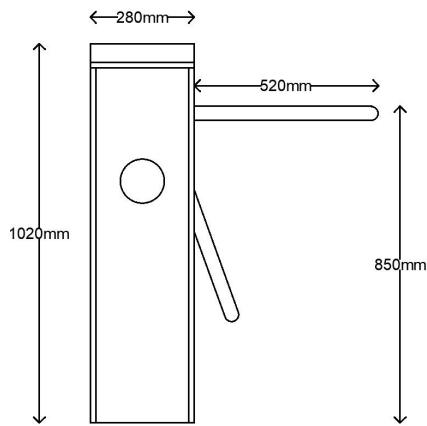
Dimension



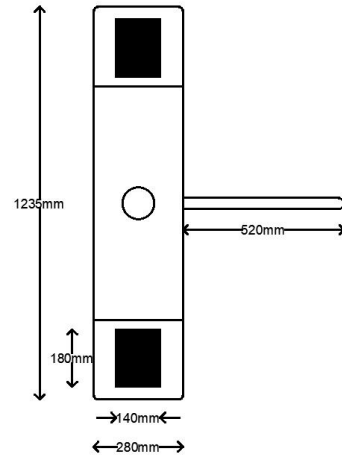
TTS351L



Front View

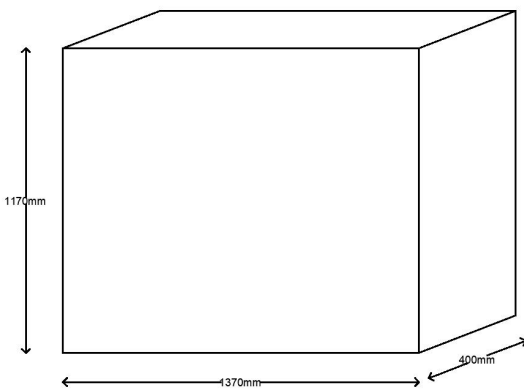


Side View



Top View

Packaging information



Model	TTS351L
Dimension	1370mm (L) x 400mm(W) x 1170mm(H)
Packaging Weight	80Kg

*Product performances is based on testing in a controlled environment. Your result may vary due to several external and environment factors.



© COPYRIGHT 2023. This documentation served as a reference only. It is subject to change without further notice. All the diagrams and information in this documentation may not be duplicated or modified in any form without the written approval from the management.

© 2023 SP MAG TTS351L