



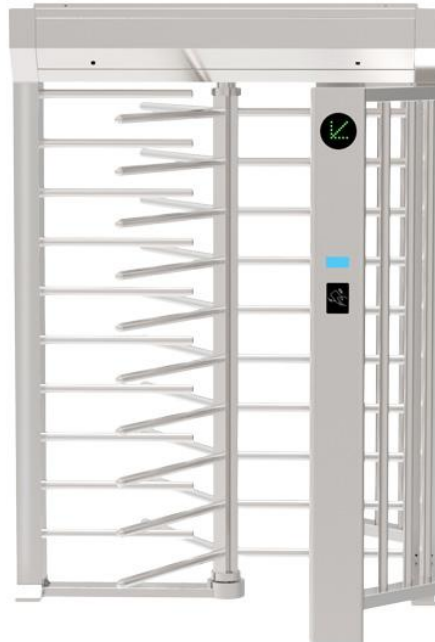
Ensuring Your
Peace of Mind.

SPECIFICATION

31 JULY 2023, V1.1

TTS721 Single Lane Full Height Turnstile

WWW.MAG.COM.MY



Description

MAG TTS721 semi auto stainless steel single lane full-height turnstile offer maximum access security control. Users are not able to crawl underneath or climb over to gain unauthorized access into premise. Full height turnstile can effective control single pass through each time. It is built with high quality material for advanced reliability and vandal resistance, suitable for outdoor usage with high people traffic environment. The semi auto turnstile operation is based on solenoid lock that allows blocking rotation direction.

Application

MAG TTS721 is suitable for indoor and outdoor application. They are optimized economical solution for factory, colleges, commercial building, stadium, game park, prison and etc. It is not suitable installed near sea side.

Features

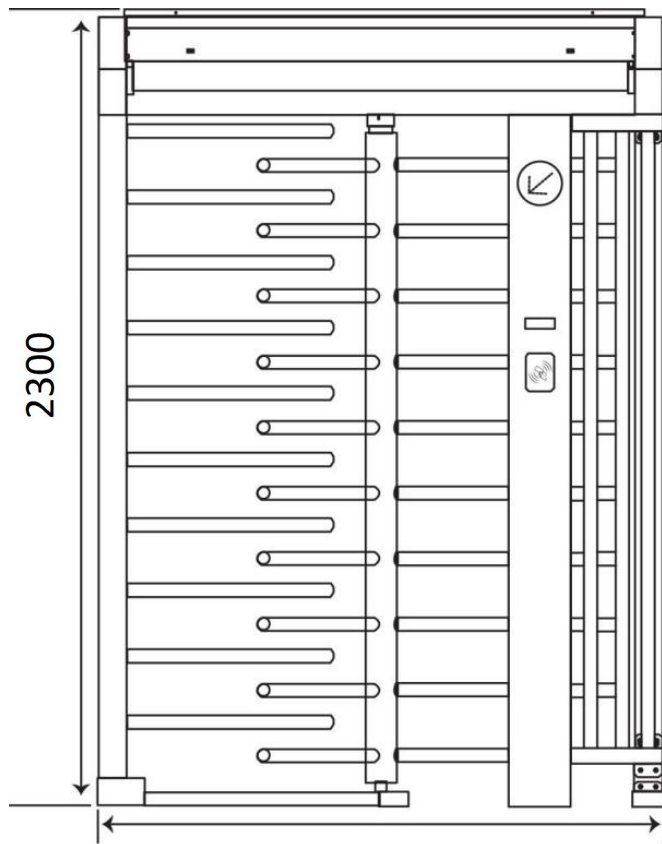
- ✓ **Minimum Maintenance**, The housing is made of high quality stainless steel, and all the internal parts are with anti-rust and anti-septic treatment to achieve high level of durability.
- ✓ **Convenience**, The LED light indicator make it convenient for users to know the passage direction. It can be configured to indicate with direction passage is use.
- ✓ **Easy Integration**, Easy integration with any third party access control or ticketing interface by external mounting or built-in.
- ✓ **Durable**, The housing is made of high quality 304 stainless steel for long lasting and vandal resistance. When the arm is locked, it will be able to sustain resistant force 70kg to restrain from unauthorized force open attempt. Suitable for both indoor and outdoor environment.
- ✓ **Secure**, Anti-reverse smart locking system to prevent unauthorized passed without access card by pushing through the arm. It only allows one person pass through at a time with passage rate of 15-20persons/min.

- ✓ **Anti Tailgating**, Smart lock mechanism uses limit switch to detect rotation and effectively re-lock back after arm has been rotated more than half. Therefore current user can only finish the rotation to pass through or reverse the rotation to exit. Either way, it will not allow second person to pass through again.
- ✓ **Safety When Power Failure**, Gate will be unlocked during power failure. It will automatic release key knob to unlock the arm during power failure.
- ✓ **Memory function**. Memory will record the sequence of passing (same or opposite direction). Passing request will be executed according to the sequence recorded.

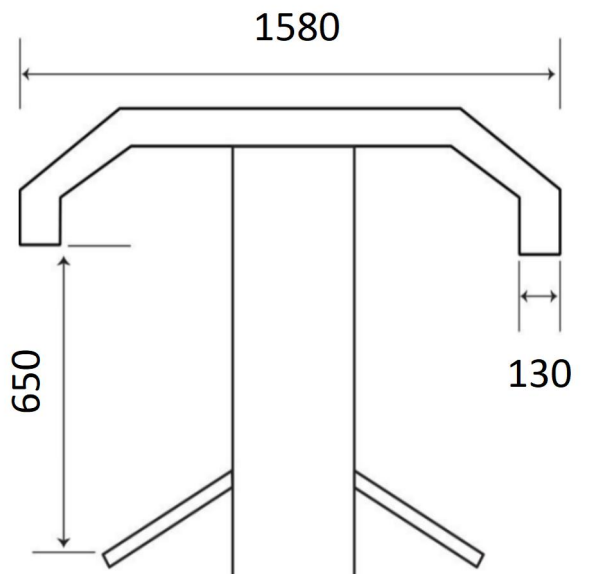
Technical Parameters

Description	Parameters
Power Supply Input	AC 220V, 50Hz
Power Voltage	DC 24V
Power Consumption	50W
Open Signal	Passive signals (relay signal, dry contact signals)
Fire/ Emergency Alarm	Gate open, free for passing
Lane/Passage Width	≤ 650mm
Response Time	≤ 0.2s
Optimal Pass Speed	25 - 30 person/min
Housing / Arm Material	SS304 Stainless Steel (brushed finish)
Arm Rotation Angle	90 / 120 degree
Working Environment	Indoor and outdoor with shading
Working temperature	-25°C ~ +70°C
Humidity	0-95
Operation Time	≥5 million times
Housing Dimension	1640mm (W) x 1580mm (L) x 2300mm (H)
IP Rating	IP 52

Dimension

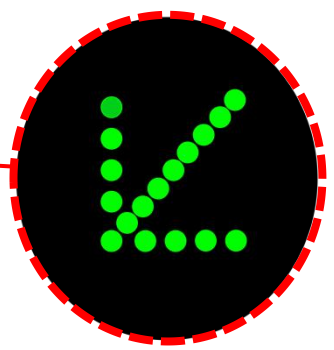
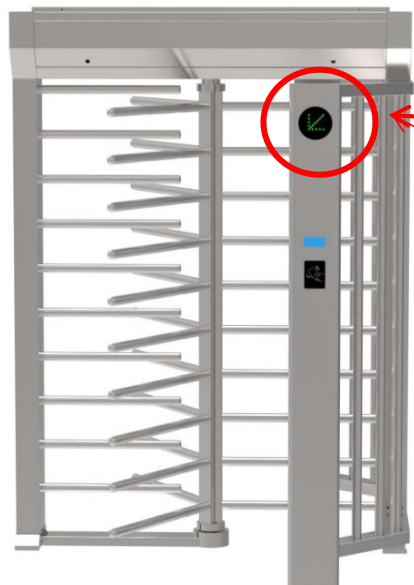


1640
Front View



Top View

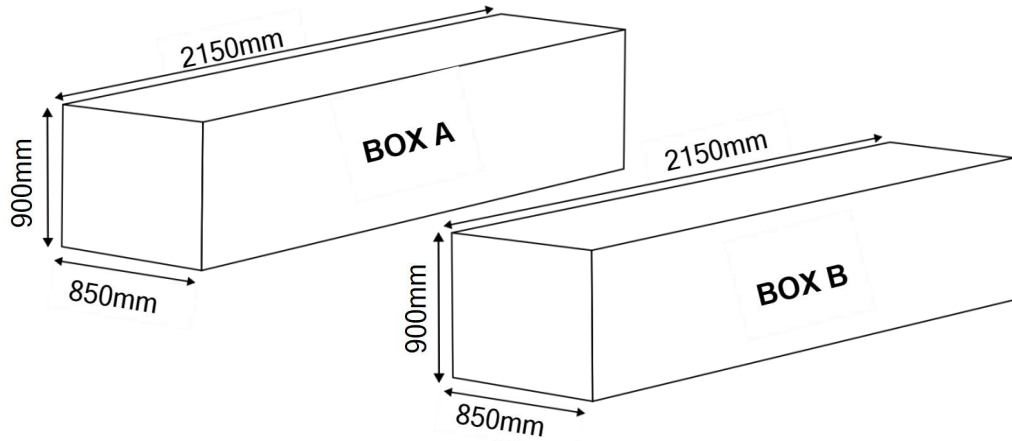
Led Indication



There is LED Indicator to show which passage

- Only has LED Green Colour
- The arrow shows the which passage is ready to passing through
- Can be change to indicate left or right

Packaging information



Model	TTS721 (Single Lane) Full Height
Dimension Box	BoxA: 850 (W) x 2150 (L) x 900 (H) mm
	BoxB: 850 (W) x 2150 (L) x 900 (H) mm

*Product performances is based on testing in a controlled environment. Your result may vary due to several external and environment factors.



© COPYRIGHT 2022. This documentation served as a reference only. It is subject to change without further notice. All the diagrams and information in this documentation may not be duplicated or modified in any form without the written approval from the management.