

SWB310

Elevate your building lobby impression.

Swing barrier

SWB310 is designed to be the slimmest of all pedestrian gates. Its slim form factor saves space and allows you to put more gates to digest higher traffic. Its stylish design elevates the premium atmosphere of any building lobby. A high-speed motor is used to achieve a faster pass-through rate.

SWB310 offers a wide and full clearance opening to allow pedestrians with luggage to pass through with comfort.

1 Minimum maintenance

Latest brushless DC motor with precision technology that extends the life span of the motor and eliminates the need for changing carbon brushes, thus reducing maintenance work. Key internal parts are treated with anti-rust and anti-septic to ensure long-term reliability.

4 Emergency recovery

During a power failure, the door panel will be automatically unlocked for manual opening. In the event of an emergency such as a fire alarm, the door can be manually triggered to open permanently to allow for fast evacuation.

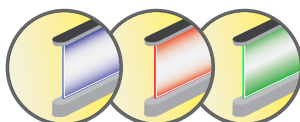
2 Elegant design

Slim form factor, premium stainless steel and glass panel material with elegant arc design effectively help create a welcoming and elegant, prestigious atmosphere at the building entrance to impress your visitors.

5 Alarm buzzer detection For unauthorized usage

Alarm buzzer function will be triggered when the user is passing through without authorization, tailgating, or incorrect direction.

Special effect



Blue light to indicate standby.

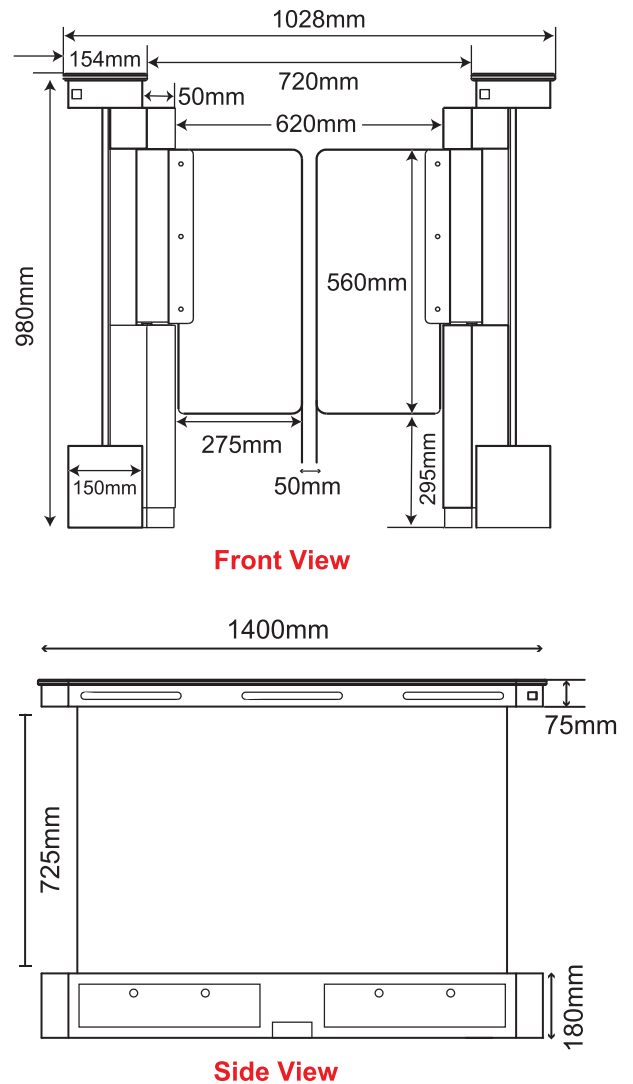
Red light to indicate alarm (invalid entry).

Green light to indicate valid entry.

Technical specification

Body material	Acrylic Glass, SS304 Stainless Steel, 1.5mm
Door Dimension (Single Panel)	275mm(W) x 560mm(H)
Door opening / closing speed	Programmable 0.4 to 1.5 sec
Optimal flow rate	20 to 25 people per minute
Power supply	AC220/110V±10%, 50/60Hz
Power Consumption	10W (Standby) / 40W (aperational)
Motor	DC Brushless Motor, 140W/24V
Input Connection	Dry contact pulse > 500ms
Working environment	Indoor only
Working temperature	-15°C - 60°C
Relative humidity	≤ 90%
Passage width	620mm
Gate door material	12mm acrylic
Cabinet dimension	1400(L) x 1028(W) x 980(H) mm
IP rating	IP 52

Dimension



Special customization

We streamlined the design added a durable matte finish with 3 colors customization (black, maroon and dark wood) to make the SWB310 look premium and versatile without the high cost.



Black

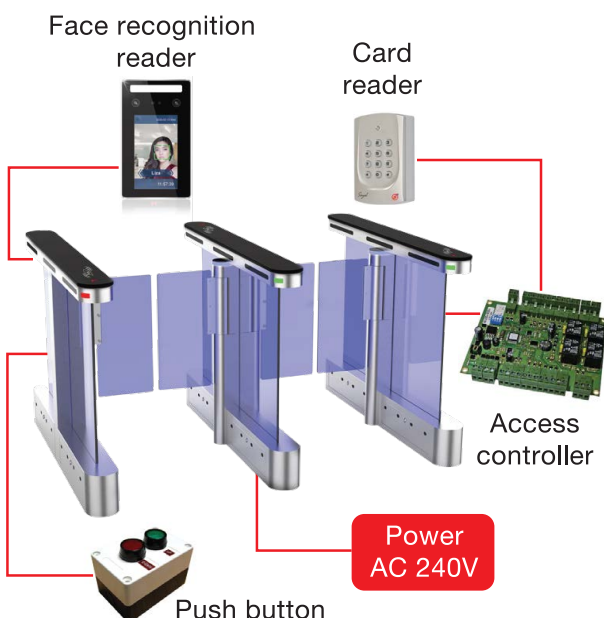


Maroon



Dark Wood

Wiring diagram



Ordering info

Model No	Description
SWB311	Single door panel
SWB312	Dual door panel

Authorised Dealer:

Accessories



Push Button

Copyright © 2016 Magnet Security & Automation Sdn Bhd All rights reserved.

All specification, drawing and product info are subject to change without prior notice.



ACB QMS 05
MS No.: 05 100 20010