

ZKT*ECO*

Mars Pro Series

Elegant Design & Durability







The Mars Pro Series is designed to enable secure contactless access and pleasant passage in areas with high-traffic volume, reducing bottlenecks at the entrance and exit of buildings.

All businesses, small or large, require solutions that balance design and security. Mars is an ideal entrance control solution thanks to its modular structure, interchangeable reader options (RFID, fingerprint recognition, QR Code, Card), and durable build. An excellent fit for most interior design styles and requirements guaranteeing to provide a seamless user experience.

The series includes models with swing and flap barrier movement along with accessories designed to integrate ZKTeco's line of Deep Learning & facial recognition systems (ProFace X and SpeedFace V5L) providing intelligent entrance control management capabilities.

Elegance and sophistication represent essential distinctions for today's corporate environments. Now you can enjoy ZKTeco's best design and technology, ensuring high security and capacity in a unique solution that effectively prevents unauthorized passage.

Discover the Mars Pro Series.

Mars Pro-F1000 Series

Swing Barrier Speed Gate



Single Pass monitoring in both Directions



Anti-Tailgating



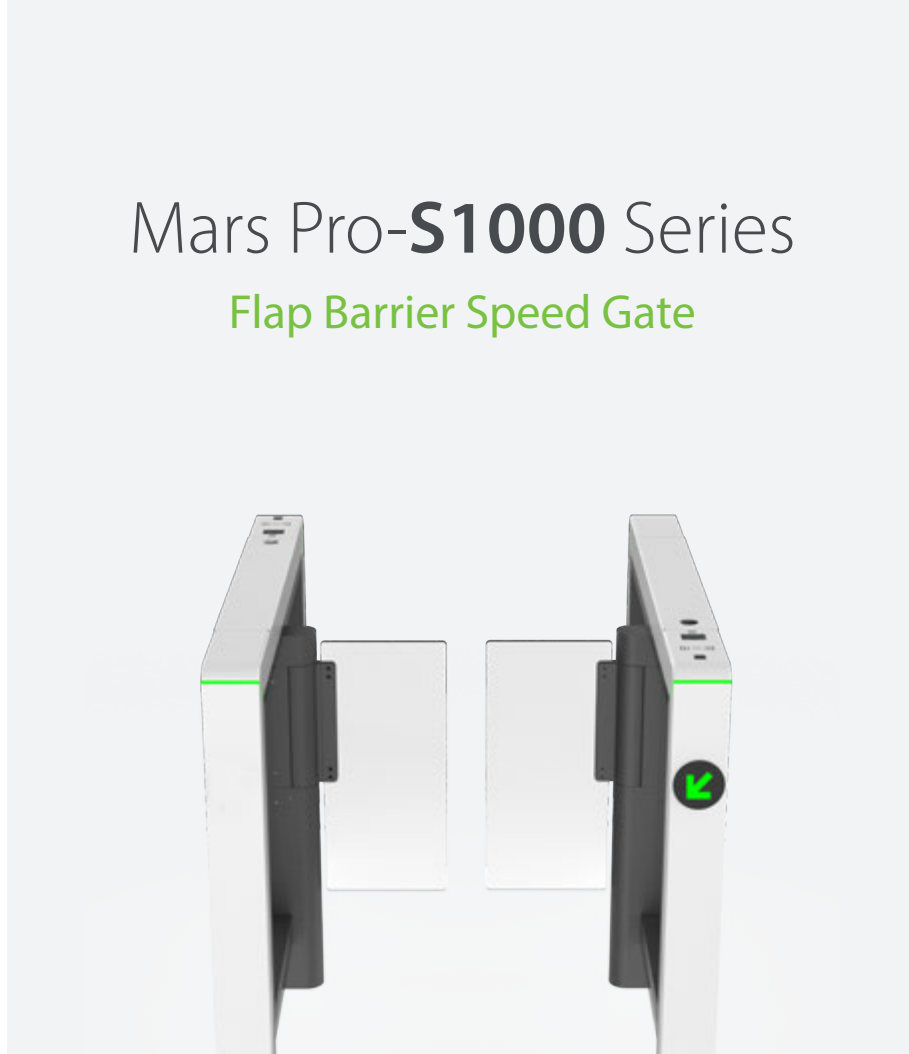
Emergency unlock



Anti-Pinch

Mars Pro-S1000 Series

Flap Barrier Speed Gate



Single Pass
monitoring in
both Directions



Anti-Tailgating



Emergency
unlock



Anti-Collision



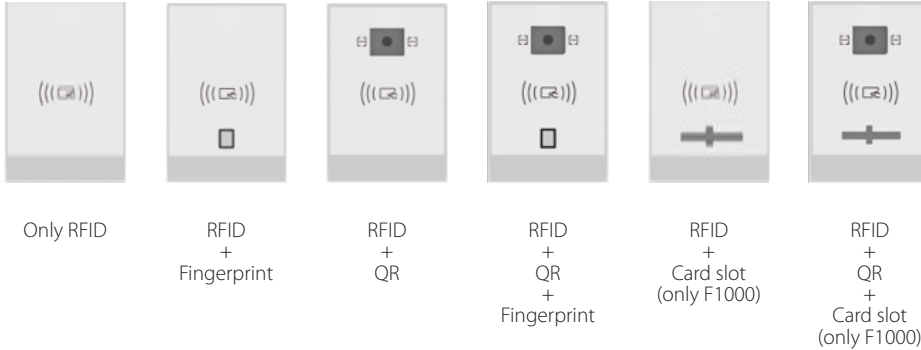
Anti-Pinch



Wheelchair
Accessible

Integrated Authentication Panel with multiple options

- Choose the identification technology that best suits your needs.
- Reduce installation time and costs.
- 6 panels available with different identification technologies:

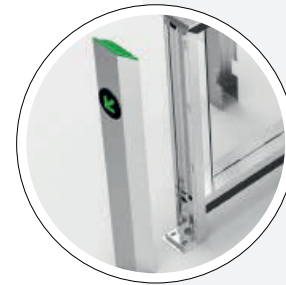
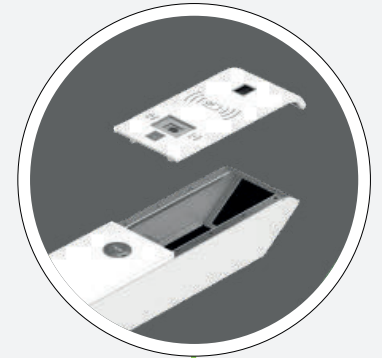


LED indicators

- Direction indicator led display.
- Red and green light for clear indication to users.

Durable and cost-effective

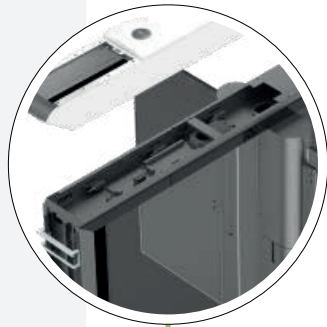
- Modular structure design.
- Exposed mounting holes for easy installation.
- Mainly made of SPCC (option: SUS 316 stainless steel).





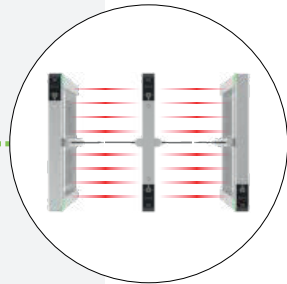
Designed for auxiliary equipment

- Diameter: 34mm.
- Perfect solution for integrating facial recognition, temperature, and mask detection terminals at the right height.



PGIC controller

- Equipped with a PGIC controller (Mars Pro S1000).
- Access control.
- General features and parameter setting in the controller menu.



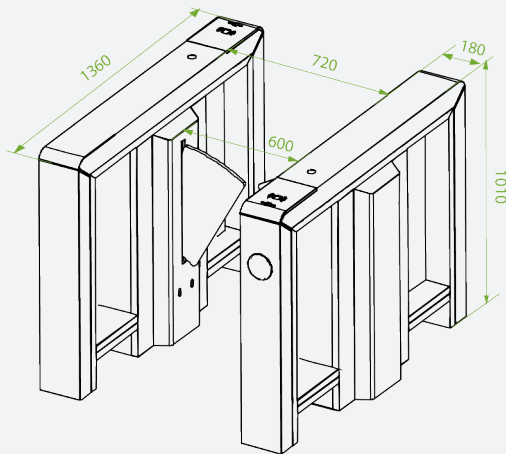
Embedded IR Sensors

- 16 pairs of infrared sensors for increased detection of objects and people.
- Suitable for high security requirements, preventing simultaneous access by more than one person and false entrances.



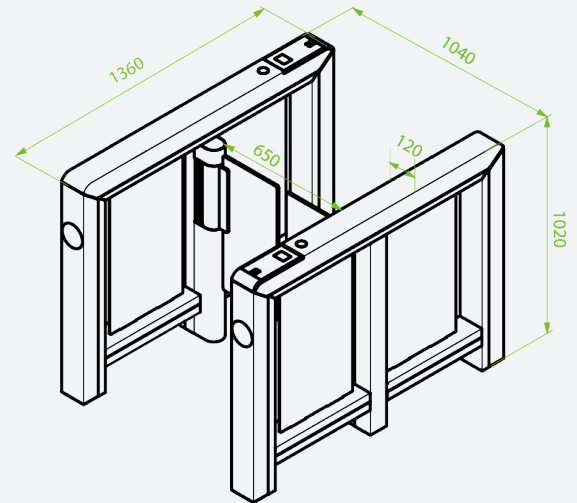
Mars Pro-F1000 Series

Power Requirements	AC100V to 120V / 200V to 240V, 50 to 60Hz
Working Power	50W; 22W (stand-by)
Drive Unit	Brushless Motor
MCBF	10 millions
Technical Throughput	Up to 60 people per minute
Barrier Movement	Retract
Noise	<60dB
Infrared Sensor	16 pairs
LED Indicator	Support
Working Temperature	-25°C to 65°C
Working Humidity	20% to 95% (non-condensing)
Working Environment	Indoor / Outdoor (if sheltered)
Lane Width	600mm
Dimensions (L*W*H)	1360 * 180 * 1010 (mm) (±5mm)
Dimensions with Packaging (L*W*H)	1510 * 365 * 1216 (mm) (2 boxes)
Net Weight	130kg (±5kg)
Gross Weight	180kg (±5kg)
Cabinet Material	SPCC (option: SUS316 stainless steel)
Lid Material	Stainless steel (option: SUS316 stainless steel)
Barrier Material	Acrylic
Packing Material	Wooden case
Protection Level	IP34




Mars Pro-S1000 Series

Power Requirements	AC100V to 120V / 200V to 240V, 50 to 60Hz
Working Power	70W; 20W (stand-by)
Drive Unit	Servo Motor
MCBF	10 millions
Technical Throughput	Up to 60 people per minute
Barrier Movement	Swing
Noise	<60dB
Infrared Sensor	16 pairs
LED Indicator	Support
Working Temperature	-25°C to 65°C
Working Humidity	20% to 95% (non-condensing)
Working Environment	Indoor / Outdoor (if sheltered)
Lane Width	650mm (option: 900mm)
Dimensions (L*W*H)	1360 * 120 * 1020 (mm) (±5mm)
Dimensions with Packaging (L*W*H)	1510 * 365 * 1216 (mm) (2 boxes)
Net Weight	110kg (±5kg)
Gross Weight	160kg (±5kg)
Cabinet Material	SPCC (option: SUS316 stainless steel)
Lid Material	Stainless steel (option: SUS316 stainless steel)
Barrier Material	Acrylic (option: glass)
Packing Material	Wooden case
Protection Level	IP34



Safety, efficiency, and convenience of use
as distinguishing characteristics

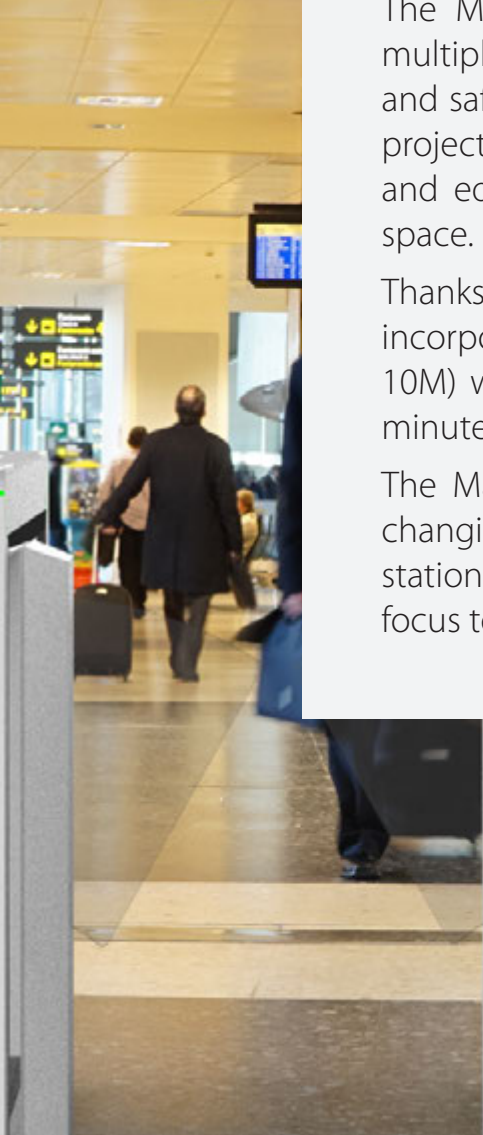




The Mars Pro Series speed gates are available with multiple configurations to provide greater flexibility and safety for users. Select the one that best suits your project by modifying barrier heights, passage widths, and equipment configuration based on the available space.

Thanks to its innovative technology, the device incorporates 10 million cycle fail-safe mechanics (MCBF: 10M) with a high throughput of up to 60 people per minute (depending on the access control system).

The Mars Pro speed gate series is designed to meet changing market requirements including airports, stations, gyms, government buildings, banks, as the focus to get the most out of the solution.





ZKTeco Europe

Carretera Fuencarral 44. Edificio 1, Planta 2.
28108 Alcobendas. Madrid | SPAIN

Tel: +34 916 532 891

E-Mail: sales@zkteco.eu

Web: www.zkteco.eu

