

VTO3211D-P/P2/P4

IP 1/2/4-button Villa Outdoor Station



Features

- 2MP HD CMOS camera
- Aluminum panel, IP65,IK08
- ICR Night vision &Voice indication
- Video & Audio messaging
- Remote intercom with mobile APP
- Surface mounted



Technical Specification

| | |
|-------|------------------|
| Model | VTO3211D-P/P2/P4 |
|-------|------------------|

System

| | |
|------------------|--------------------------|
| Main Processor | Embedded Micro Processor |
| Operation System | Embedded LINUX OS |

Video

| | |
|-------------------|-----------------|
| Video Compression | H.264 |
| Image Sensor | 1/2.8" 2MP CMOS |
| Focal Length | 1.9mm |
| Angle of View | H:140° |
| Day/Night | ICR |

Audio

| | |
|--------------------|-------------------------------------|
| Audio Compression | G.711 |
| Audio Input | Omnidirectional Mic |
| Audio Output | Built-in Speaker |
| Bidirectional Talk | Support Dual-way Bidirectional talk |

Operation Mode

| | |
|--------|--------------------------|
| Keypad | 1/2/4 Mechanical Buttons |
| Reader | Mifare Card |

Interface

| | |
|--------------|------------------------------------|
| Door Control | 1 |
| Alarm In | 2(1ch unlock button, 1ch feedback) |
| RS485 | 1 |

Network

| | |
|------------------|---------------------------|
| Ethernet | 10M/100Mbps Self-adaptive |
| Network Protocol | TCP/IP |

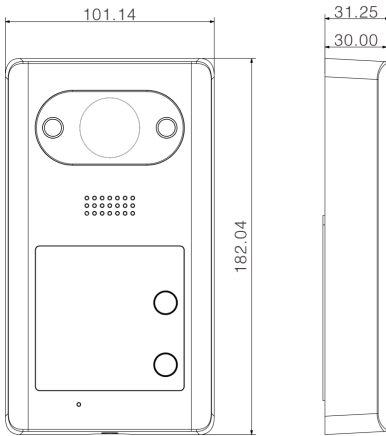
| | |
|----------|---------------------------|
| Ethernet | 10M/100Mbps Self-adaptive |
|----------|---------------------------|

| | |
|------------------|--------|
| Network Protocol | TCP/IP |
|------------------|--------|

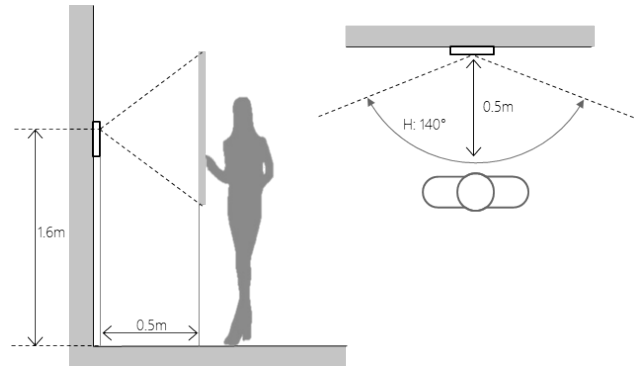
General

| | |
|---------------------|------------------------|
| Ingress Protection | IP65, IK08 |
| Tamper Switch | 1 |
| Installation | Surface |
| Material | Aluminum |
| Power | DC 12V, PoE(802.3af) |
| Power Consumption | Standby ≤1W, Work ≤7W |
| Working Temperature | -40°C~+60°C |
| Relative Humidity | 10%~90%RH |
| Dimensions | 182.0mm×30.0mm×101.0mm |
| Weight | 0.8Kg |

Dimensions



View Area



Application

