

# Tiandy



TC-C32XP Spec:I3W/E/Y(M)/2.8mm/V4.2

## 2MP Fixed Super Starlight IR Turret Camera

Lite Series



### KEY FEATURES

- Default: Plastic, M: Metal Housing
- Up to 1920x1080@30fps
- S+265/H.265/H.264
- Min. illumination Color: 0.002Lux@F1.6
- Smart IR, IR Range: 30m
- 2 Warm lights, 15m
- Support tripwire and perimeter
- Built-in Mic, SD Card Slot, Reset Button
- Operating Conditions -35°C~60°C, 0~95%RH
- POE,DC12V
- IP66



**Tiandy Technologies Co.,Ltd.**

Email: [sales@tiandy.com](mailto:sales@tiandy.com)

Tel: +86-22-58596065

Website: [en.tiandy.com](http://en.tiandy.com)

Fax: +86-22-58596048



## SPECIFICATIONS

<b>Camera</b>	
Image Sensor	1/2.8"
Signal System	PAL/NTSC
Min. Illumination	Color:0.002Lux@(F1.6,AGC ON),B/W:0Lux with IR
Shutter Time	1s to 1/100,000s
Day&Night	Dual IR Cut Filter with Auto Switch
WDR	120dB
<b>Lens</b>	
Lens Type	Fixed
Focal Length	2.8mm
Lens Mount	M12
Aperture Range	F1.6,Fixed
Field of View	Horizontal field of view:100.6°; Vertical field of view:56.5°
DORI Distance	N/A
<b>Illuminator</b>	
IR LEDs	2
IR Distance	Up to 30m
Wavelength	850nm
White LEDs	2
<b>Compression Standard</b>	
Video Compression	S+ 265/H.264B/H.264M/H.264H
Video Bit Rate	32kbps~6Mbps
Audio Compression	G.711A/G.711U/ADPCM_D
Audio Sampling Rate	8kHz/32kHz/48kHz
<b>Image</b>	
Max. Resolution	1920x1080
Main Stream	PAL:25fps(1920x1080,1280x720,640x480,704x576) NTSC:30fps(1920x1080,1280x720,640x480,704x480)
Sub Stream	PAL:25fps(704x576,704x288,352x288,640x360) NTSC:30fps(704x480,704x240,352x240,640x360)
Third Stream	N/A
Image Setting	Saturation,brightness,contrast,sharpness,adjustable by client software or web browser
Image Enhancement	BLC/3D DNR/HLC/AGC
ROI	Yes,8 regions
OSD	16*16/32*32/48*48,adaptable size,Letters Such as Week,Date,Time,Total 1 Regions
Picture Overlay	N/A
Privacy Mask	Yes,4 regions
Defog	Yes

# Tiandy

Feature	
Alarm Trigger	Disk Full,Disk R/W Error, IP Address Conflict,Mask Alarm,Motion Detection
Video Analytics	Tripwire,Perimeter
Network	
ANR	Yes
Protocols	HTTP,HTTPS,TCP/IP,UDP,UPhP,ICMP,DHCP,DNS,DDNS,Easy DDNS,NTP,QoS,IPv4
System Compatibility	onvif Profile S/T/G,CGI,MILSTONE,RTSP,P2P(Mutually exclusive with Profile G)
Remote Connection	2
Client	Easy7,EasyLive Plus
Web	IE,Firefox,Edge,Safari,Chrome
Interface	
Communication Interface	1 RJ45 10M/ 100M self adaptive Ethernet port
Audio I/O	N/A
Alarm I/O	N/A
Built-In Mic	Yes
Built-In Speaker	N/A
Reset Button	Yes
On-board storage	Built-in MicroSD card slot,up to 512 GB
General	
Web Client Language	18 languages English,Russian,Spanish,Korean,Italian,Turkish,Simple Chinese,Traditional Chinese,Thai,French,Polish,Dutch,Hebrew,Arabic,Vietnamese,German,Ukrainian,Portuguese
Operating Conditions	-35°C~60°C,0~95%RH
Power Supply	DC12V, PoE(802.3af)
Power Consumption	≤6W
Protection	IP66
Heater	N/A
Boundary Dimensions	116mmx116mmx96mm
Package Dimensions	138mmx138mmx110mm
GrossWeight	0.53kg,0.61kg(/M)
NetWeight	0.39kg,0.47kg(/M)

\* Listed resolutions are only selectable options. It does not mean that all streams can work at their maximum resolution at the same time.

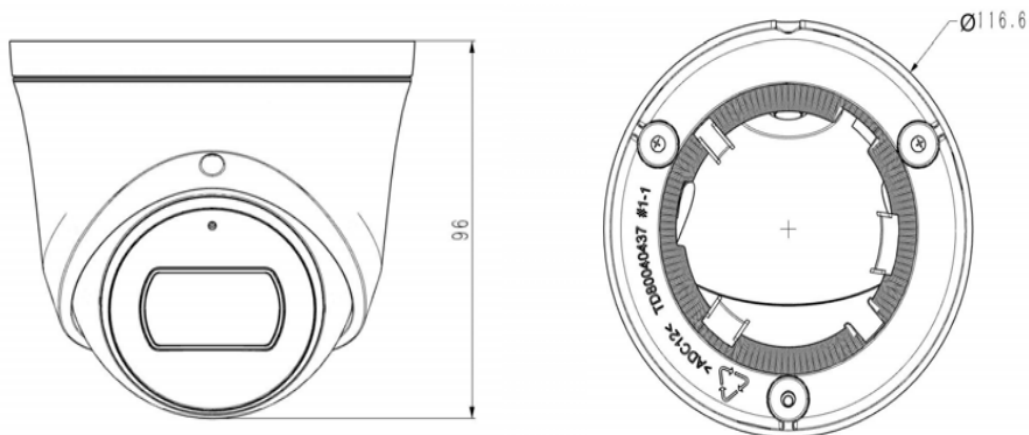
# Tiandy

## AVAILABLE MODEL

TC-C32XP SPEC: I3W/E/Y/2.8MM/V4.2

TC-C32XP SPEC: I3W/E/Y/M/2.8MM/V4.2

## DIMENSIONS



## ACCESSORIES



A29  
A29 WALL MOUNT



TC-P54BM SPEC: V5  
JUNCTION BOX



A36  
POLE MOUNT



A35



Tiandy Technologies Co.,Ltd.

Email: sales@tiandy.com  
Website: en.tiandy.com

Tel: +86-22-58596065  
Fax: +86-22-58596048