

# Tiandy



## TC-H388M Spec: 44X/IL/E++/A 8MP 44× Super Starlight IR Laser AEW AI PTZ Camera

Pro Series



### KEY FEATURES

- 1/1.8" CMOS Sensor
- Up to 8MP 3840×2160@30fps
- Optical zoom: 44×, digital zoom 16×
- Min. illumination Color: 0.001Lux@F1.6
- Smart IR, IR Range: 300m
- Laser Distance: 500m
- Built-in Speaker
- Built-in Wiper
- Built-in Electronic Compass
- S+265/H.265/H.264/M-JPEG
- Monitoring/Intelligent Monitoring/ Face Capture mode
- Auto-tracking Early Warning (AEW)
- Support Laser Point
- Alarm 8 in and 2 out, Audio 1 in and 1 out
- Plugin Free
- IP66
- DC36V±25%, POE++(IEEE802. bt)



**Tiandy Technologies Co.,Ltd.**

Email: [sales@tiandy.com](mailto:sales@tiandy.com)

Tel: +86-22-58596065

Website: [en.tiandy.com](http://en.tiandy.com)

Fax: +86-22-58596048

# Tiandy

## SPECIFICATIONS

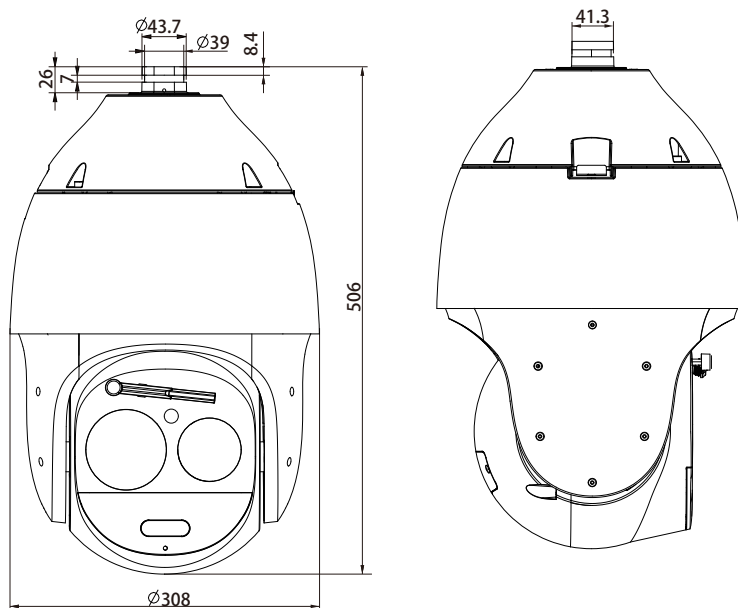
Camera	
Image Sensor	1/1.8" CMOS
Min. Illumination	Color: 0.001lux@ (F1.6, AGC ON), 0lux with IR
Shutter Time	1/1s~1/100000s
Day&Night	IR-cut filter with auto switch (ICR)
WDR	120dB,only in monitoring mode
Lens	
Focal Length	5.7mm~250mm
Optical Zoom	44X
Digital Zoom	16X
Zoom Speed	<6s
Aperture Range	F1.63~F4.94
Field of View	Horizontal filed of view: 60° (w)~2.31° (t) , Vertical filed of view: 35.5° (w)~1.3° (t), Diagonal field of view: 67.5°(w)~2.65°(t)
Focus Control	Auto,semi-auto,manual
Iris Control	Auto
Close Focus Distance	1000mm~3000mm
DORI Distance	Detect: 3800m Observe: 1508m Recognize: 760m Identify: 380m
Pan&Tilt	
Pan Range	360°
Pan Speed	Manual Speed: 0.1°~200°/s Pan Preset Speed: 240°/s
Tilt Range	-21°~90° (Default -13°~90°)
Tilt Speed	Tilt Manual Speed: 0.1°~180°/s, Tilt Preset Speed: 180°/s
3D Position	Yes
Preset	500
Cruise	16, up to 32 presets per cruise
Scan	8
Pattern	8, each with 600s memory or 1000 orders
Scheduled Task	Preset,Cruise,Scan,Pattern
North Point	Yes
Power-off Memory	Yes
Preset Freezing	Yes
Illuminator	
IR LEDs	11
IR Distance	300m
Wavelength	850nm
IR Irradiation Angle	Adjustable by Zoom
White LEDs	2, support white/blue/red light flash
Whitelight Distance	30m
Laser	6
Laser Distance	500m
Compression Standard	
Video Compression	S+265/H.265/H.264 (High profile、 Main profile、 Baseline)
Video Bit Rate	32Kbps~16Mbps
Audio Compression	G.711A/G.711U/ADPCM_D/AAC_LC
Audio Sampling Rate	8kHz/32kHz/48kHz
Image	
Max. Resolution	3840x2160@30fps
Main Stream	PA: 25fps(3840x2160,3072×1728,2560×1440,2304×1296,1920x1080,1280x720) NTSC: 30fps(3840x2160,3072×1728,2560×1440,2304×1296,1920x1080,1280x720)
Sub Stream	PAL: 25fps(704x576,704x288,352x288,640x360) NTSC: 30fps(704x480,704x240,352x240,640x360)
Third Stream	PAL: 25fps(1920x1080,1280x720,704x576,704x288,352x288,640x480) NTSC: 30fps(1920x1080,1280x720,704x480,704x240,352x240,640x480)
BLC	Yes
HLC	Yes
AGC	Yes

# Tiandy

<b>Noise Reduction</b>	2D/3D
<b>White Balance</b>	Yes
<b>ROI</b>	7 Dynamic Areas for Both Main and Sub Stream
<b>EIS</b>	Yes
<b>OSD</b>	5 regions(Each region can have a maximum of 127 characters or 42 Chinese characters, up to 5 lines);16*16/24*24/32*32/48*48/64*64/96*96/adaptable size
<b>Defog</b>	Digital defog
<b>Flip</b>	Normal/Inverted Flip
<b>Regional Exposure</b>	Yes
<b>Regional Focus</b>	Yes
<b>Demist</b>	Yes
<b>Feature</b>	
<b>Alarm Trigger</b>	Motion Detection;Mask Alarm;Disk Full;Disk R/W Error;IP Address Conflict;MAC Address Conflict;FTP Server Exception ;Event Input, Event Output
<b>Linkage Method</b>	send email;trigger sound;trigger warmlight;trigger recording;trigger capture;notify surveillance center
<b>Video Analytics</b>	Human/Vehicle Classification;Tripwire;Double Tripwire;Perimeter;Object Abandon;Object Lost;Heatmap;Loitering;Running;Parking;People Counting;Crowed;Safety Helmet Detection;On Duty Detection;Video Abnormal;Audio Abnormal
<b>Early Warning(EW)</b>	Three level,Voice warning support 35 voice messages; Laser driven away; Three-light flash warning
<b>Auto-Tracking</b>	Auto-Tracking
<b>Face Mode</b>	Face Capture
<b>Face Caputure Performance</b>	Detects up to 32 faces at the same scene
<b>Network</b>	
<b>ANR</b>	Yes
<b>Protocols</b>	HTTP;HTTPS;TCP/IP;UDP;UPnP;SNMP;DHCP;DNS;DDNS;Easy DDNS;NTP;SMTP;SSL;802.1X;QoS;IPv4;IPv6;PPPOE;Unicast;Multicast;SRTP;RTSP;FTP;SFTP;NAS
<b>System Compatibility</b>	ONVIF Profile S/T/G/M;CGI;RTMP
<b>Remote Connection</b>	≤4
<b>User/Host</b>	Up to 32 users. 4 user levels
<b>Client</b>	Easy7 Smart Client
<b>Moblie Client</b>	EasyLive Plus
<b>Web</b>	IE10+;Firefox52+;Edge89+;Safari11+;Chrome57+
<b>Interface</b>	
<b>Communication Interface</b>	1 RJ45 10M/ 100M self adaptive Ethernet port
<b>Audio I/O</b>	1,Input Impedance 1kΩ,2.0~2.4Vp-p;1,Output Impedance 600Ω
<b>Alarm I/O</b>	8,Switching;2,Switching,Voltage≤DC24V,Current≤1A
<b>Built-In Speaker</b>	1,4Ω4W
<b>Reset Button</b>	Yes
<b>On-board storage</b>	Built-in Micro SD card slot, up to 512 GB
<b>RS-485</b>	Yes
<b>BNC</b>	Yes(Debugging use)
<b>Wiper</b>	Yes
<b>Electronic Compass</b>	Yes
<b>GPS/BDS</b>	N/A
<b>General</b>	
<b>Web Client Language</b>	17 languages Simple Chinese/English/Traditional Chinese/Spanish/Italian/ Korean/Turkish/Russian/Thai/ Polish/French/Dutch/ Hebraism/Vietnamese/Arabic/German/ Ukrainian
<b>Operating Temperature</b>	-40°C~70°C(IR OFF) -40°C~40°C(IR ON)
<b>Operating Humidity</b>	0-95%
<b>Storage Temperature</b>	-40°C~70°C
<b>Storage Humidity</b>	0-95%(non-condensing)
<b>Power Supply</b>	DC 36(1±25)%;POE 802.3BT
<b>Power Consumption</b>	37W (IR OFF), 62W (IR ON)
<b>Protection</b>	Surge protection 2000V;Lightning proof 6000V;IP66
<b>Heater</b>	Yes
<b>Material</b>	Metal
<b>Boundary Dimensions</b>	308mm(D)×505mm(H)
<b>Package Dimensions</b>	445(L)445(W)700(H)mm
<b>GrossWeight</b>	17.95kg
<b>NetWeight</b>	12.75kg

# Tiandy

## DIMENSIONS (Unit: mm)



## ACCESSORIES



DF20Y  
Wall Mount

## OPTIONAL



A36  
Pole Mount



DF21Y  
Pendant Mount



A35  
Corner Mount



811  
Junction Box

DISTRIBUTED BY



Tiandy Technologies Co.,Ltd.

Email: sales@tiandy.com

Tel: +86-22-58596065

Website: en.tiandy.com

Fax: +86-22-58596048