

Maintenance

Replace the switch

Open the glass panel by touching the lighting button, then cut off the power and remove the fixed screws of panel. Next, take off the panel and remove the fixed screws of control box, which can replace the switch.

Bulb/Tube Changing:

You must pull off the electric plug before changing the bulb or tube. Keep the power rate of lamp no more than 1.5W and you could check the power rate from label.

Cleaning:

Do not use cleaning agents containing soda, acids, chlorides or solvents; Do not use abrasive cleaning agents, e.g. Power cleaners or cream cleaners and abrasive sponges, as well as pot scourers or sponges which have been used previously with abrasive cleaning agents. Wear gloves when cleaning surfaces to prevent your hands being hurt by seamed edges.

Malfunctions and solutions

Fault	Cause	Solution
Press any buttons but no responses	The plug is not or improperly inserted or no power supply	Plug the power cord
The lamp doesn't work.	The lamp is damaged, poorly contacted with the power supply.	Replace the lamp with correct rating or plug in the power cord again.
A slight electric shock on the surface of cooker hood.	The electric outlet is not effectively grounded.	Use one-way triple socket and have a good grounding
Irregular sounds when the impeller operates.	The impeller becomes loose and screws are not fixed.	Tighten up the screw of impeller
Oil dripping	Installation of oil collector is not suitable.	Install correctly.

vees®

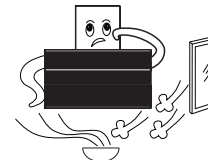
RANGE HOOD

INSTRUCTION MANUAL



DH-109AC

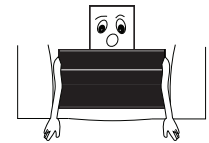
Installation cautions



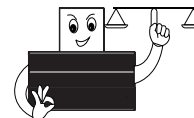
❑ Do not fix the hood so high, to prevent airflow from outside, which will affect the efficiency.



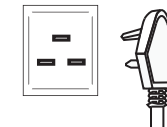
Do not burn the hood directly, to avoid damaging the hood and causing accidents.



❑ Please keep an enough space for hood installing & dismantling; it is helpful for inspection and maintenance.



❑ Please keep the hood in balance while installing.



❑ Please use 13 amp socket and it should be well connected with the grounding.



❑ Please install by a skilled and qualified installer.

vees®

Vees Kitchen Appliances Sdn. Bhd. (1399548-P)

F-06-03, Setiawalk, Pusat Bandar Puchong, 47160 Puchong, Selangor, Malaysia.

Service Hotline: 03-8600 1648

www.vees.com.my

How to use

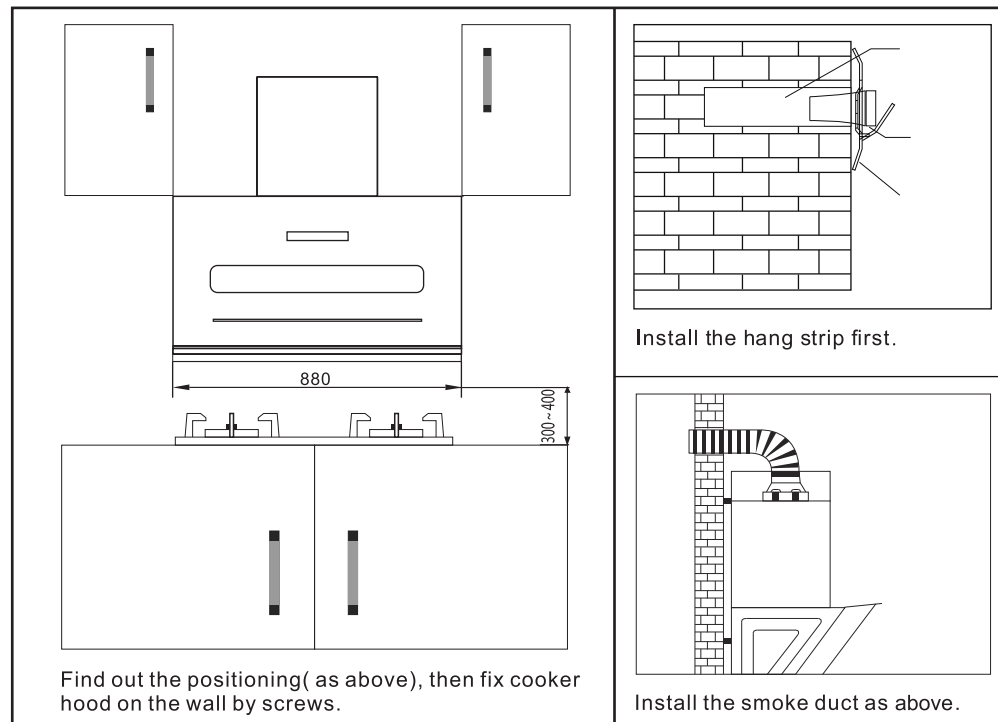


Turbo Speed Fast Speed On/Off/ Delay/ Gesture Sensor Slow Speed Light/ Auto Clean

1. Power on: All display symbols & patterns are lit for 1s, after buzzer prompts once will enters the standby mode.
2. Buzzer: Each time a key is touched, the buzzer will prompt once.
3. Screen display: In the shut down mode, the power indicator light is on; In the standby mode, when there are functions, the screen displays the corresponding function icons or symbols; When there is no function, the screen shows silence mode.
4. Power button: touch the power button once in the shut down mode, and all the button lights will be turn on when enters the standby mode. When the fan is running, touch "Delay" button once to start the 60 second delay and shut down. During the delay started, touch the "Delay" button again to cancel the delay and shut down. Gesture sensor lock button: In the shut down mode, hold for 3 seconds to turn off the Gesture Sensor function, touch and hold again 3 seconds to activate the Gesture Sensor function, the corresponding gesture icon on the screen will be on or off.
5. Lighting/Auto Clean Button: the light can be turned on when the hood is on or off, the light will be turned off when the power is shut down. touch and hold for 3 seconds to start the auto clean function in the power on mode. The total time is 3 minutes. The heating function is started in the first 30 seconds. After 30 seconds, slow speed and heating work at the same time. After the program is completed, the machine will shut down.
6. Turbo Speed Button: In the power on mode, touch the "Turbo Speed" button once to start the motor turbo level, and touch it again to cancel the Turbo speed of the motor.
7. Fast Speed Button: In the power on mode, touch the "Fast Speed" button once to start the motor fast level, touch again to cancel the fast speed motor.
8. Slow Speed Button: In the power on mode, touch the "Slow Speed" button once to start the motor low level, and touch again to cancel the slow speed motor.
9. Delay Button: When the fan is started, touch "Delay" button once to start the 60 second delay to shut down. Switch the motor to cancel the delay function during the start delay process, and touch the "Delay" button again to cancel the delay during the start delay process.
10. Gesture Sensor Function: swipe gestures from left to right to switch on the hood with turbo speed & lighting, turn on fast speed for the second time wipe, turn on slow speed for the third time swipe, turn off the motor for the fourth time swipe, and repeat with cycle in turn; swipe gesture sensor power off from right to left.

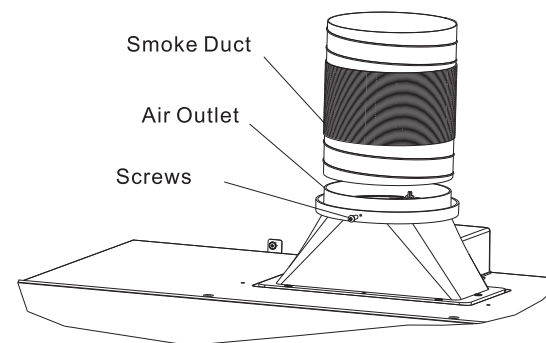
Installation method

Installation of Hood



- Notice: 1. Make sure the smoke duct is bending less than 90 degree;
2. Don't connect with other duct hose diameter is less than 178mm.

Installation of Smoke Duct



- a). Put the end of smoke duct (with ▼ mark) into the groove of air outlet, fix it with screws, then throw toward outside or public exhaust channel.
- b). If the smoke duct is too long, please keep it in roll and fix it to avoid shaking while hood is working.