

*Kitchen appliance expert*

**LIVINOX®**

**LIVINOX Malaysia Sdn Bhd**  
Blok B-1-29 Dataran Cascades NO.13A,  
Jalan PJU 5 Kota Damansara,  
47810 Petaling Jaya, Selangor.

Tel.: 603-76116192

**LIVINOX®**

**SLIM COOKER HOOD**

**LCH-620-76B**

**LCH-620-90B**

**INSTRUCTION  
MANUAL**



## Content

Content & Notice.....	1
Product Feature.....	2
Technical Specification.....	3
Installation.....	4
Installation Instruction.....	5
Ring Telescope Pipe.....	6
Warranty.....	7
Auto-Cleaning.....	8
Electrical Diagram.....	9
Product Dimension .....	10
Daily Maintainance.....	11
Abnormity & Solution.....	12
Attention.....	13



The manufacturer disclaims all liability for any damage or injury caused as a result of not following the instructions for installation contained in the following text.

# Thank you for using our products

**LIVINOX<sup>®</sup>**

**LIVINOX Malaysia Sdn Bhd**  
Blok B-1-29 Dataran Cascades NO.13A,  
Jalan PJU 5 Kota Damansara,  
47810 Petaling Jaya, Selangor.

Tel.: 603-76116192



The installation work must be undertaken by a qualified and competent person in conformity to the rules concerning evacuation of contaminated air. Please confirm the right rated power input connected.

### 13. Attention

1. It must move in parallel when install and take the oil cup avoid it overflow. Move the oil cup and drop the dirty oil when it is full 80 percent.
2. Turn on the motor before use the stove.
3. Put the power plugs into outlet, Press the power switch, then cooker hood running, when you press the power switch again, it will stop run.
4. The stove roast cooker hood or gas burn directly are forbidden
5. Please call distributor or after service department if find the cooker hood broken, do not release by yourself.
6. The motor applied with High temperature protection device. It will cut the power when motor temperature is high up to order in order to protect motor without destroy, and then check the motor whether it has any object blocks the exhaust fan running. If it has, move it please.
7. Take care for your hands crash by metal of oil net when cleaning.
8. The working condition of cooker hood must good ventilation when cooking.
9. The exhaust should not mix waste gas from gas or other hot fog.
10. It must pull the plugs out of power outlet if you have a long time won't use.
11. The cooker hood is for home use only, not suitable for barbecue, roast shop and other commercial purpose.
12. Never let the children operate the machine.

## 1. Thanks for choosing our series products of home appliances.

A. These products have the strong point as follow:

- Slim design with thickness 4", true slim style.
- With particular and patent bullet style control panel design.
- Quiet and stability bearing motor, running stability.
- With centrifugal and arc turbine.
- Make a high efficient exhaust telescope pipe.



Please read the content of manual then install the cooker hood as safe request use way before you use this product.

B. Product Feature:

- i. Super thin style and streamline design --- Delicacy and beautiful, The thickness of shape only 100~130mm. With incline streamline control panel, the aspect is delicacy, elegance and beautiful.
  - ii. With reliable motor --- Runs stable and powerful centrifugal exhaust.
  - iii. Conflux design oil cup --- Without oil leakage; Oil collection located in the lowest of cabinet, and the design of oil leading joint, the oil can be full collected all in conflux in oil cup without leaking.
  - iv. Transparent Oil Cup --- visible; The coagulate oil in cup is visible.
  - v. Low noise motor --- Runs steadily and quiet
  - vi. Motor applied with imported axletree, makes it powerful & efficient
- With Auto-Clean device, the Auto-Clean device can make the cooker hood clean by itself, it including the model LCH-620-76B & LCH-620-90B
  - Slim style: Model LCH-620-76B & LCH-620-90B are super slim style

**These products execute the standard of ISO9001:2015**

## 2. TECHNICAL SPECIFICATION

### • LCH-620-76B

Model NO.: LCH-620-76B

Power: 130W

Maximum Lighting Power:  $\leq 2 \times 1.5W$

Rated Voltage: 220-240V~

Rated Frequency: 50/60Hz

### • LCH-620-90B

Model NO.: LCH-620-90B

Power: 130W

Maximum Lighting Power:  $\leq 2 \times 1.5W$

Rated Voltage: 220-240V~

Rated Frequency: 50/60Hz

## 11. ABNORMITY & SOLUTION

Please stop use when the cooker hood has any malfunction or the cooker hood broken. Please don't release cooker hood, as you want except the engineer and it must pull out the plug from outlet.

	Malfunction & Solution
<b>The motor is not running and the light is not working</b>	<ol style="list-style-type: none"> <li>1. If the outlet with power or plug isn't fix up. Check the power whether in order and plug whether is tight.</li> <li>2. If the malfunction of control panel or the key was wicked. Please replace or change it.</li> <li>3. If the jointing is wicked into the connection panel or turnoff. Please re place of change it.</li> </ol>
<b>The motor is not running And light is Work</b>	<ol style="list-style-type: none"> <li>1. If the key of control is wicked, please replace or change it.</li> <li>2. If the motor is demolished, please replace the motor.</li> <li>3. If the capacitance is demolished leads to the motor can't run, please replace it.</li> </ol>
<b>The motor is running and the light is not work on.</b>	<ol style="list-style-type: none"> <li>1. If the control switch isn't in order, please repair or replace it.</li> <li>2. If the light is demolished, please replace it.</li> </ol>
<b>Whole machines shake.</b>	<ol style="list-style-type: none"> <li>1. If the exhaust fan isn't install correct, please fix up it tight.</li> <li>2. If the fan isn't install into the axle or the bolts is loose, please adjust it in correct point and make it tight.</li> <li>3. If the fan is distortion, please repair or replace it.</li> </ol>
<b>Exhaust is not good.</b>	<ol style="list-style-type: none"> <li>1. If the place is high than the illustration, please adjust it.</li> <li>2. If the air convection is speedy, please adjust it.</li> <li>3. If the flue is prevented by something, please move it.</li> <li>4. If the speed of motor is slow, please replace the motor or capacitance.</li> <li>5. If you have a long time without clean it, it need clean, or the dirty oil on the oil panel is so much, it needs to clean too.</li> </ol>

## 12. ATTENTION:

1. Please ask the technical person to assemble or release.
2. Keep motor and other spare parts from water or it leads damage
3. Please confirm that the power is cut off before clean it.
4. Take care of the plug and wire away from water or oil
5. The filter mesh can not be put into the fire.
6. Please do not open the fixed aluminum bar around the filter mesh
7. Do not let the gas stove toast directly or burn under cooker hood.



Any question with this product, please dial our service department or authorized distributor directly

## 9. DAILY MAINTAINENCE

- A. It must maintain usually in order to keep the effect of this cooker hood and protract the use longevity.
- B. Take care for your hands crash by metal of oil net when you cleaning the dirty oil on the oil panel usually.
- C. Water into motor and electric parts are forbidden.
- D. Pull out the plug when you maintain it.
- E. The stove roasts cooker hood and gas burn only are forbidden.
- F. Move the oil cup and drop the dirty when the oil is about 80 percent in it, avoid it overflow.
- G. Please unscrew the lampshade off then change the new lamp if find the lamp lamp was broken, but the power input must less than 25W.
- H. It must change the special wire if it is attained such as broken or parted, please contact our distributor or after service department immediately.

### Attention:

It must pull out the plug from outlet and confirm cut off power during disassemble the product.

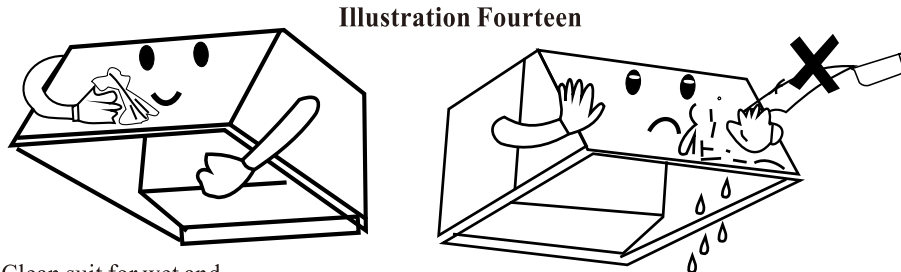


Illustration Fourteen

Clean suit for wet and soft fabric with cleanser.

Washing with water is forbidden

## 10. HOW TO CLEAN

- i. Please use soft material with neutral cleanser to clean it, the organise liquor is forbidden, such as acidum, gasolene etc...
- ii. The cleaning of exhaust and cabinet can be clean with Auto-cleaning, please clean the outside is enough.
- iii. Clean the cooker hood according to this manual and keep cooker hood from the danger of fire, please keep the kitchen room a good ventilation and let the exhaust pipe outside.
- iv. Please use soft material and brush with neutral cleanser to clean.



The illustration of electric connection and the product may be not same exactly due to the products are improved.

## 3. INSTALL ILLUSTRATION

### A. Ambience;

Around the Cooker Hood must avoid the door and windows, reflect on the effect of exhausting oil fume when air convection.

### B. Prepare Tools;

1. Impact borer  $\phi$  8mm aiguilles
2. Spanner
3. Screwdriver with “+”
4. Ruler
5. Hammer

### C. Confirm Position

1. The cooker hood must be parallel above on the stove. The referenced heigh from bottom of cooker hood to top of stove is 700mm.
2. Impact borer with 8mm aiguille
3. Put the hook in parallel above the stove on the strong wall about 800~820mm, as standard of three holes of hook in order to confirm holing, hole it stability then take up in uprightness. Use the hook as sample hole double 8mm as accessory.
4. Hold the cabinet in stable and then insert flue with ST2.9 x 6 then fixed.
5. Install the cover use special bolt as M5x10
6. Attention: the foreside and rear must be an achievers angle as illustration one.

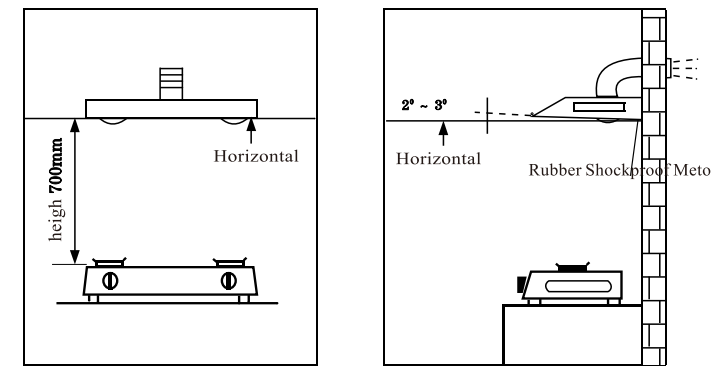
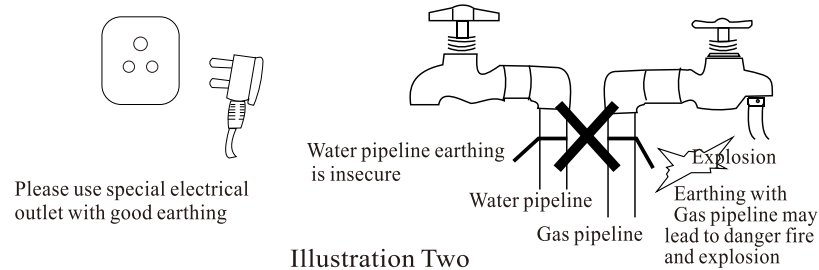


Illustration One

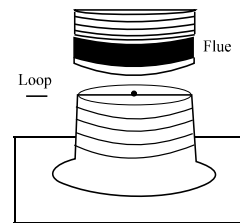
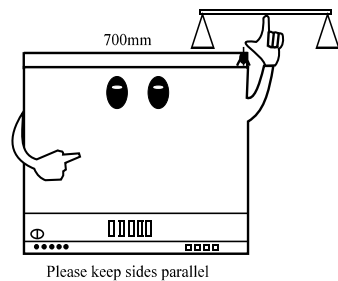
## D. INSTALLATION INSTRUCTION

1. Be on effect of running of cooker hood and protect your safe, the electrical outlet must have a good earthing as illustration two:



2. Measure the height as illustration one, make a point, and then line a parallel.
3. Use 4Pcs M5x10 with "+" machine-made bolt, fix two hook in sides on cooker hood cabinet.
4. Drill on the point; the distance as illustration three, the drilling broach diameter is  $\phi 68\text{mm}$ , it forbid too wide of diameter, the hole depth hit about 50~60mm, and then insert the metal expansile bolt M6 into hole, hit bushing with hammer as illustration five.
5. As illustration four: Hitch the pipeline on flue, depth about 30mm, then ring or encase it tight with adhesive tape.
6. Put cooker hood up, let the metal expansile bolt through the hooks, fix the padding and spring gasket, and then screw tight nut.
7. Take the flue out of kitchen room.

**!** Attention: When bore the hole, please check whether the point is parallel, or it may result in oil collected in the side notch even oil leaking.



## 7. OPERATION INDICATION

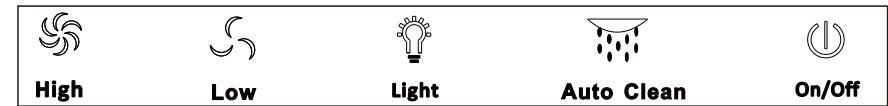


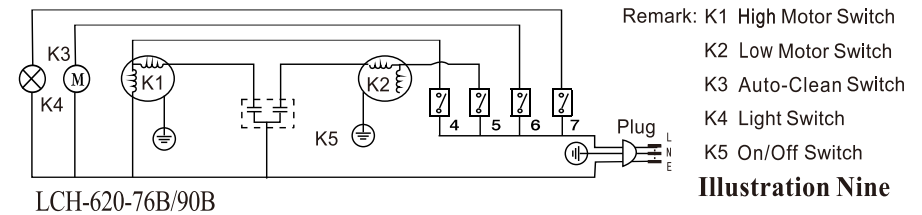
ILLUSTRATION NOMODEL NO.	1	2		3		4		5		6	
		SYMBOL	FUNCTION	SYMBOL	FUNCTION	SYMBOL	FUNCTION	SYMBOL	FUNCTION	SYMBOL	FUNCTION
LCH-620-76B		HIGH	HIGH SPEED	LOW	LOW SPEED	LIGHT	LIGHT SWITCH	AUTO CLEAN	HEAT CLEAN	ON/OFF	POWER SWITCH
LCH-620-90B											

## IX. PACKING LIST

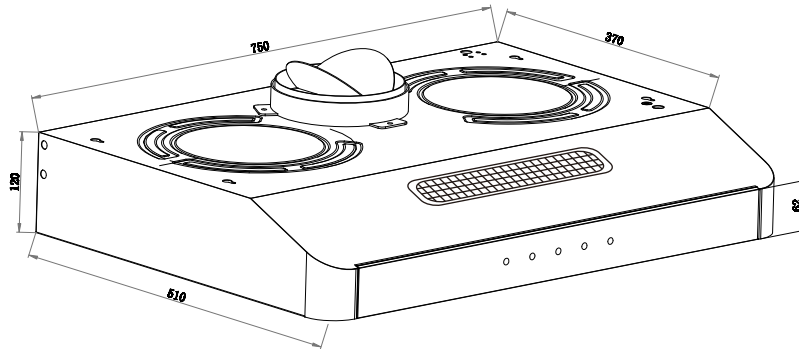
MODEL NO.	FRAME	ROUND OIL CU	LONG OIL CP	INSTALL PARTS	EXPAND BOLT	INSTALL HOOK	SERVICE CARD	MANUAL
LCH-620-76B	1	2	2	1	2	2	1	1
LCH-620-90B	1	2	2	1	2	2	1	1

## 8. ELECTRICAL DIAGRAM

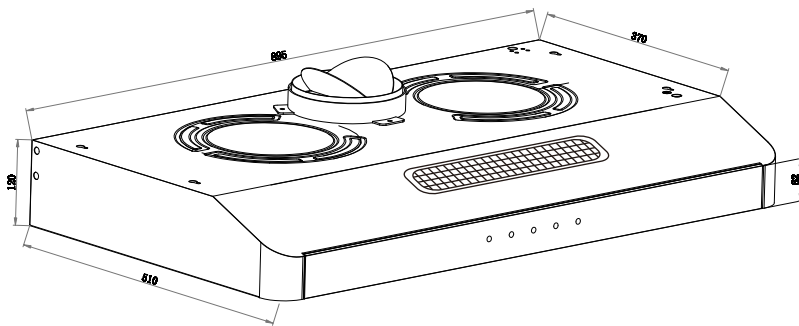
**!** Please use special electrical outlet with good earthing in order to keep you safe under the special runs condition of the cooker hood.



## 6. PRODUCT DIMENSION



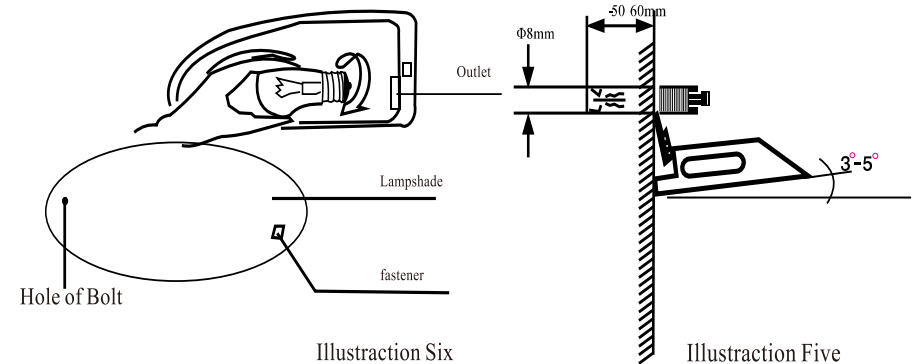
LCH-620-76B



LCH-620-90B



Replace with new light bulb while it is not function/spoil.



## E. ATTENTION OF INSTALL:

1. The cooker hood must be parallel above on the stove. The referenced height from bottom of cooker hood to top of stove about 700~800mm. It must install the height of 65cm with the above of gas stove between cooker hoods.
2. The fume in the heat flue what exhausted in burning gas or other smoke fog is forbidden, and the flue must put out outdoors or mutual cool flue.
3. The flue better to reduce the length and angle usually, in order to arrive the best effect.
4. The installation of cooker hood must in parallel, With any incline.
5. Be on effect of running of cooker hood and protect your safe, the electrical outlet must have a good earthing.

## F. RING THE TELESCOPE PIPE

1. Take the flue out of kitchen room.
2. When the stove is front of window, excise the glass about  $\Phi 152\sim 155\text{mm}$  as flue way-out. Or move the glass instead a veneer, excise a way  $\Phi 152\sim 155\text{mm}$  as flue use.
3. When the stove is near window;
  - 1). Choose window can exhaust the fume near stove; install the flue out of kitchen room by pass.
  - 2). Choose wall the burrow near stove; install the flue in wall then way out.
  - 3). The resistance is lax when the length is longer and bigger angle.

4. Burrow wall
  - i. Measure the point on the wall at first
  - ii. Draw a scope with a little big more the flue on the wall as  $\phi$  152~155mm, and then use long drill burrow the wall
  - iii. When you burrow the wall must notice the construction and material, avoid destroy the wall out of diameter and make it dirty.

**Warning:**

1. The working condition of cooker hood must be breezy in kitchen room;
2. The fume in the heat flue what exhausted in burning gas or other smoke fog are forbidden;
3. Take care for you install the expand metal pipeline, the diameter must meet with the hole,the large hole will lead to loose of expand bolt;
4. The cooker hood must clean the face usually, avoid reflect on the effect of exhausting,and reduce the use longevity;
5. If you don't operate as this attention to using and cleanning, it may have a danger of fire;
6. The fire of stove roast cooker hood is forbidden;
7. Please don't release cooker hood, as you want except the engineer.

**4. OPERATION**

Insert the electric plug into outlet, the cooker hood will wait for operating, the indicator of relative control running will be light or turn off when you operate it at the same time.

- Touch key Light ☼, the lamp will be lighted, touch again it will be black out.
- Touch key Motor, motor in left & right side will run, touch again it will stop.
- Touch On/Off, the power input will be turn on or turn off.
- Touch Timer, the cooker hood can be turned off by itself after 3-minutes.  
The switches indication as illustration seven.

**AUTO CLEAN FUNCTION**

To activate Auto Clean function, follow below steps:-

- 1) Press ON/OFF button to switch off the power (no light indicator on all button).
- 2) Press the AUTO CLEAN button for 3 second, the indicator will flash and start running.
- 3) The AUTO CLEAN will takes 10minutes to complete the heat clean (9minutes heat clean & 1minute cooling down).
- 4) It is advisable to let the AUTO CLEAN run completely for 10minutes. But in case it need to stop/cancel, press again the AUTO CLEAN button for 3 second or press ON/OFF button, it will immediately stop the cleaning process.