

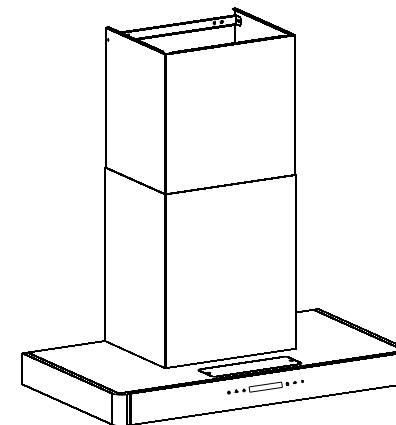
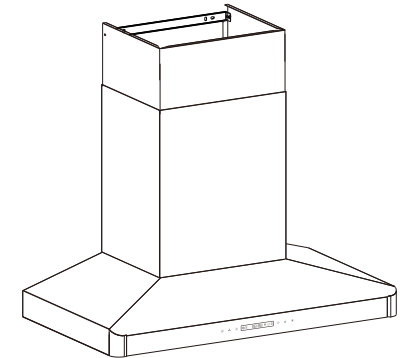
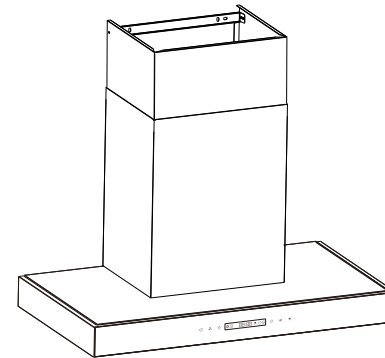
LIVINOX®

COOKER HOOD

MODEL: LCH-RUBY-90SS

LCH-AMOLITE-90SS

LCH-RAINBOW-90SS



LIVINOX®

DISTRIBUTED BY.

LIVINOX Malaysia Sdn Bhd

Blok B-1-29 Dataran Cascades NO. 13A,

Jalan PJU 5 Kota Damansara,

47810 Petaling Jaya, Selangor.

Owner's Manual

Please read this manual carefully before operating your set.

Retain it for future reference.

Record model number and serial number of the set.

See the label attached on the set and quote this information to your dealer.

For The Warranty Terms & Conditions, Please Refer To Warranty Certificate

*Product image is for illustration purpose only. Actual product may vary depending on the model.

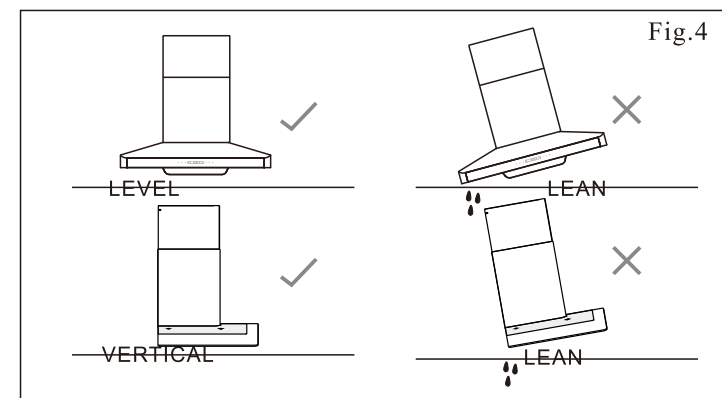
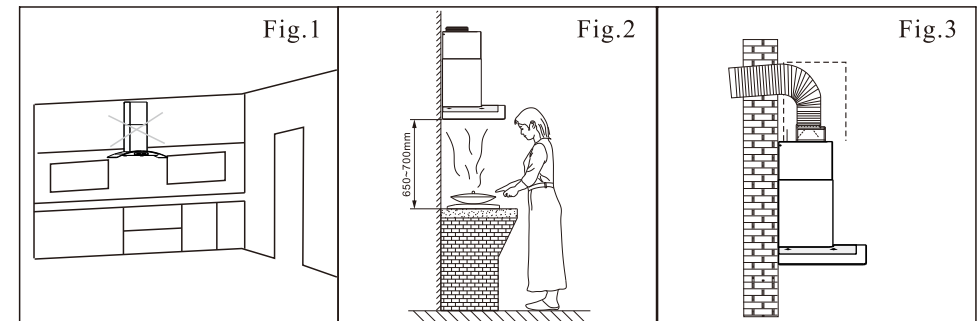
Please read this instruction carefully. It is advisable to keep this instruction manual in a safe place for future reference.

SAFETY PRECAUTIONS

1. Keep electrical appliances out of reach from children. Do not let them to operate the appliances without supervision.
2. To protect against the risk of electrical shock, do not immerse the product, cord or plug into water or any other liquid.
3. This product is for household and indoor use only.
4. This product is not intended for use by person (including children) with reduced physical, sensory or mental capabilities unless they have been given supervision or instruction concerning use of the appliance by a person responsible for their safety.
5. If the power cord or plug has damaged, it must be replaced by the service centre or a qualified service technician to avoid hazard.
6. Before installation, check if the mains supply voltage is matched with the voltage stated on the rating plate of the hood.
7. There must be adequate air ventilation of the room when the cooker hood is used with the cooking appliances with burning gas or other fuels.
8. Ensure that the installation of ducting complies with the standard of local building, gas and electrical authorities.
9. Do not ignite flames in the pans.
10. There is a risk of fire if cleaning is not carried out in accordance with this instruction.

INSTALLATION REQUIREMENT

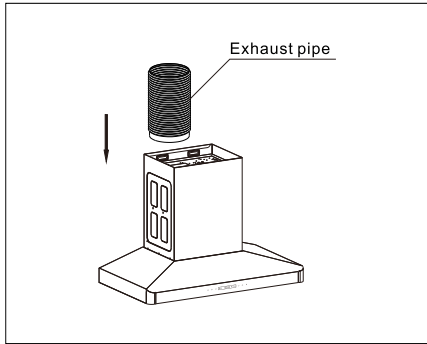
1. Do not install the cooker hood where there are many doors or windows in order to avoid affecting the exhaust efficiency of the cooker hood caused by air convection. (Fig. 1)
2. Install the cooker hood right above the hob. The recommended distance between the hob and the lower edge of the cooker hood is minimum 650mm and maximum 700mm. (Fig 2)
3. In order to get the optimum performance, do not elongate the exhaust pipe too long, and try to make the bend of the exhaust pipe less and biggest, ensure the connection is airtight. (Fig. 3)
4. After hanging the unit on the wall, ensure the hood is level and vertical (Fig. 4).
5. The air outlet must not be connected to chimney flues or combustion gas ducts. The air outlet must under no circumstances be connected to ventilation ducts for room in which fuel-burning appliances are installed.
6. The installation of the exhaust duct is optional when the charcoal filter is installed for recirculation purpose. Installation of the charcoal filter will gradually reduce the suction power and reduced the suction performance of the unit.



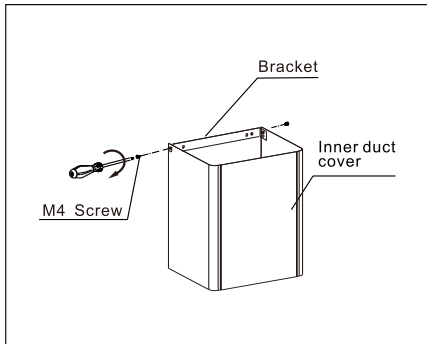
ASSEMBLY INSTRUCTIONS

Please check the following before installation:

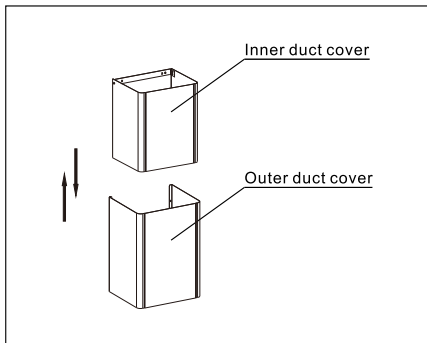
- Installation of hood must be carried out by an authorized or qualified technician.
- The inside of the hood may have sharp edges. Before installing, removing or cleaning, please wear protective gloves to avoid injury.



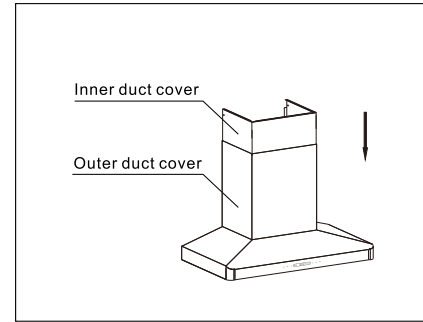
Step 1:
Take out of the cooker hood from the carton and put it on a horizontal work table gently. Fix the exhaust pipe into the shutter, make sure the shutter and exhaust pipe are connected tightly.



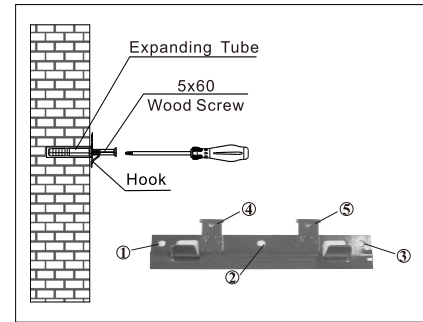
Step 2:
Matching the bracket to the holes of the inner duct cover and fix it well with M4 screws.
Matching the bracket to the holes of the Outer duct cover and fix it well with M4 screws.



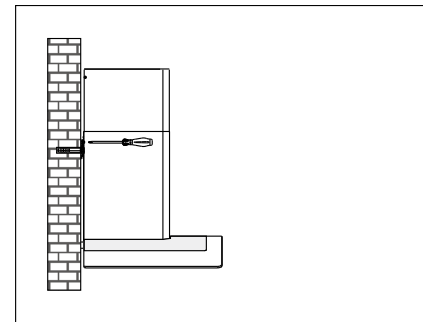
Step 3:
Insert the inner duct cover into the outer duct cover.



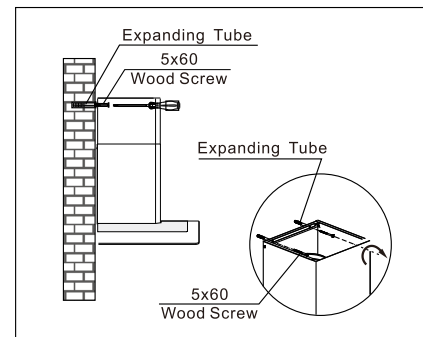
Step 4:
Matching the holes of outer duct cover and blower box, fix the outer duct cover to the blower box using 8pcs M4 × 10 screw provided with the fixing tool. As the direction of illustrated.



Step 5:
Drill holes in the wall using a 8 mm drill bit. Use three screws to fit the hook on the wall in the screw holes 1,2,3. Then use one M4 × 10 screw fit the appliance on the screw hole 4 and hole 5 to make sure the appliance is fixed and can not be moved!

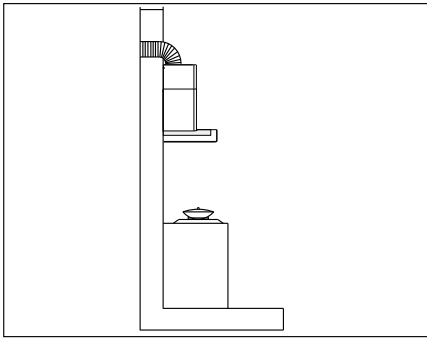


Step 6:
Hang the entire hood unit onto the hook, ensure the hood is level and vertical.

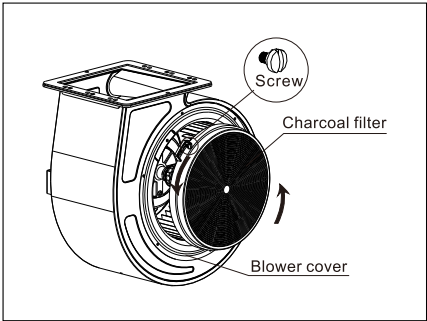


Step 7:

1. Draw the inner duct cover up to the suitable high, mark on the wall two keyhole of the outer duct cover bracket with pen .
2. Put down the inner duct cover gently, drill the keyholes in 75-85mm depth on the horizontal level using 8mm drill.
3. Press the expanding tube provided into the holes.
4. Matching the inner duct cover with the holes, tighten the inner duct cover with two 5x60 wood screw provided.



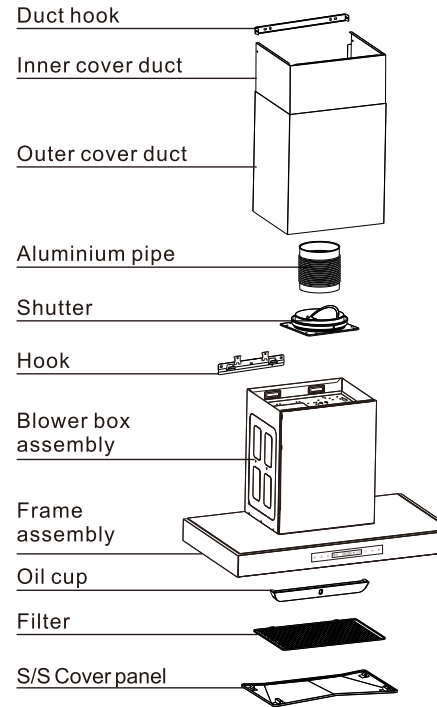
Step 8:
Extend the air outlet of the exhaust pipe out-of-door. Try to make the bend of the exhaust pipe is more than 120° .



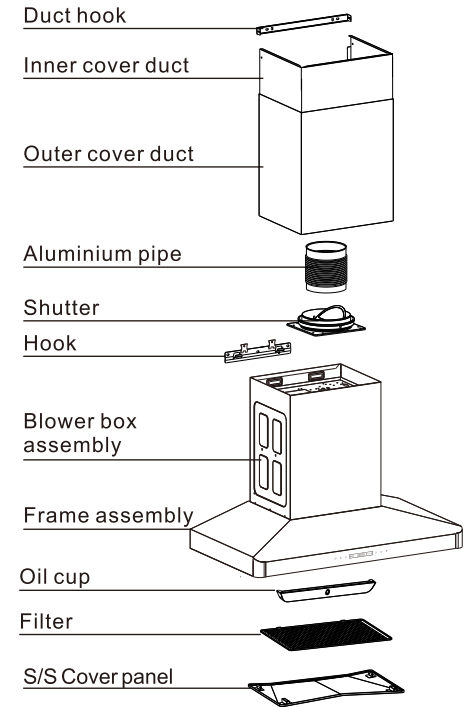
CHAR COAL FILTER INSTALLATION
If there is charcoal filter need to be installed matching the charcoal filter to the blower cover and rotate charcoal filter toward the direction of arrow.

PRODUCT DESCRIPTION

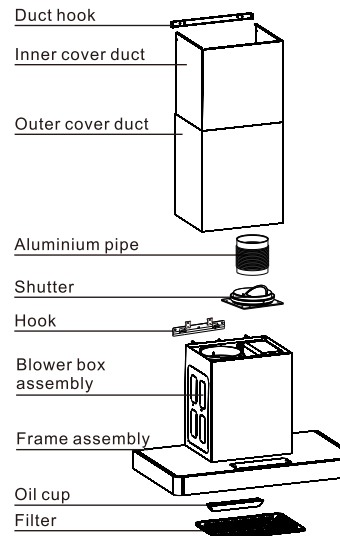
LCH-RUBY-90SS



LCH-AMOLITE-90SS



LCH-RAINBOW-90SS



OPERATING INSTRUCTIONS



1. Initial Electricity

After the power is turned on, all the icons are lit for a second and a "beep" sound is displayed.

2. Fan Speed

Touch key, fan speed function open, the default is high-grade, continue press key, the wind will switch between the high speed、mid speed、low speed、on / off.

3. Light

Touch key, lights on; touch once key, lights off.

4. Set Clock

In standby mode, touch key, can set the clock.

Initial hour setting, touch key again, is minute setting. The third times touch the key is confirm the time. Light key is up key, fan speed key is down key.

5. Delayed shutdown

Cooker hood smoking , touch key, start delay function, default is 3 minutes. Continuity touch this key, delay shutdown function will be in the "3/6/9 minutes / off". Delay end, machine close wind speed.

6. Instantaneous strong suction

Touch key, open 3 minutes Instantaneous strong suction; When the instantaneous strong suction function is turned on, touch this key once, close this function.

7. Clean lock function

In order to facilitate the user to clean hood panel, set clean lock function. Long press key 3 seconds, clean lock function on, icon flashing, all keys are locked, can not operation. Touch this key once, after 3 second or half an hour, this function will be automatic cancellation.

8. Heat

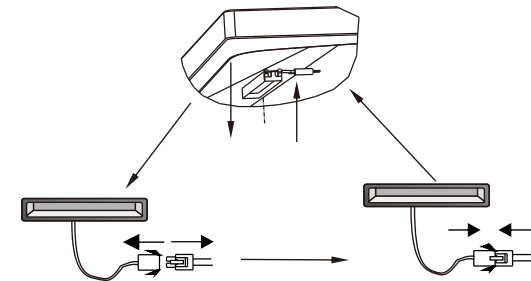
Touch key 1 second open this function, touch this key once, close this function.

REPLACING THE LED LAMP

Caution: Lamp unit might be hot after cooking. Wait until it is cool before carrying out repair and replacement. Always use the same type of light bulb.

Make sure all control switches are turned off and the cooker hood is unplugged from the electrical mains. Follow below instruction to carry out replacement:

1. Use a flat head screwdriver to pop out the lamp subassembly.
2. Disconnect the lamp from the internal wires.
3. Remove the screws using cross head screwdriver.
4. Remove the lamp cover and take out the lamp bulb.
5. Replace with a new 2W lamp bulb and make sure the bulb is connected into the light socket.
6. Replace the lamp cover and fix it gently with screws.
7. Connect the lamp subassembly with internal wires and push the lamp into the hood.



CLEANING AND MAINTENANCE

- The hood must always be disconnected from the electricity supply before carrying out the maintenance.
- Clean the hood with damp cloth, hot water and mild detergent. Do not use chemical, steel, wooden or abrasive cleaners to clean the hood.
- Clean the oil cups when they are more than half filled to avoid the oil from spilling.
- Remove the filter, wash in hot soapy water, dry and fit back into the hood. Do not use the hood without the filter installed.

MAIN SPECIFICATION

Voltage/Frequency : 220V~240V/50Hz

Suction Power : 1,400m³/hr

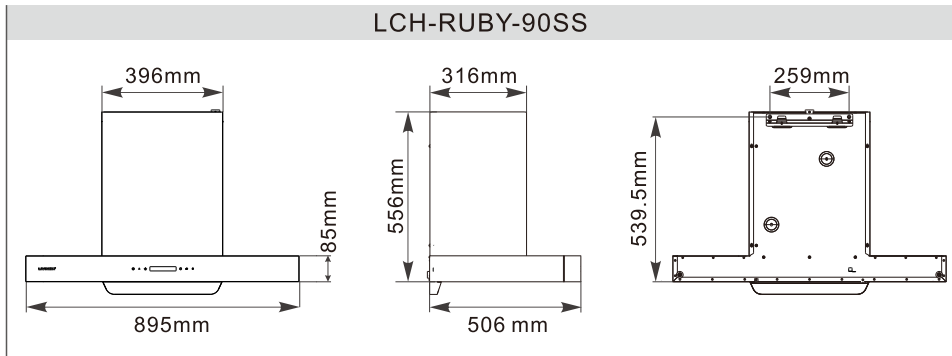
Total Power : 272W

Motor Power : 220W

Heating Power : 50W

Lamp Power : 1x2W

Product Dimension :



Voltage/Frequency : 220V~240V/50Hz

Suction Power : 1,600m³/hr

Total Power : 302W

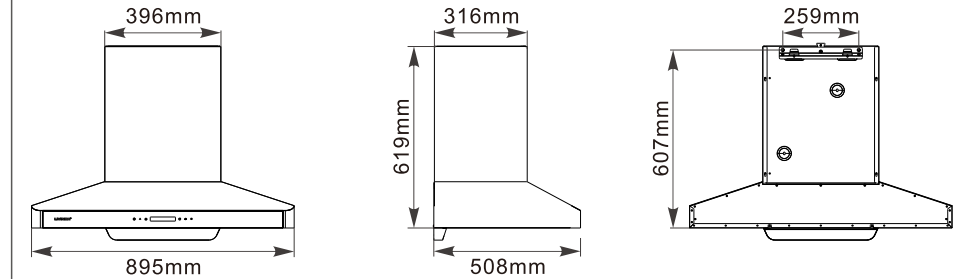
Motor Power : 250W

Heating Power : 50W

Lamp Power : 1x2W

Product Dimension :

LCH-AMOLITE-90SS



Voltage/Frequency : 220V~240V/50Hz

Suction Power : 1,400m³/hr

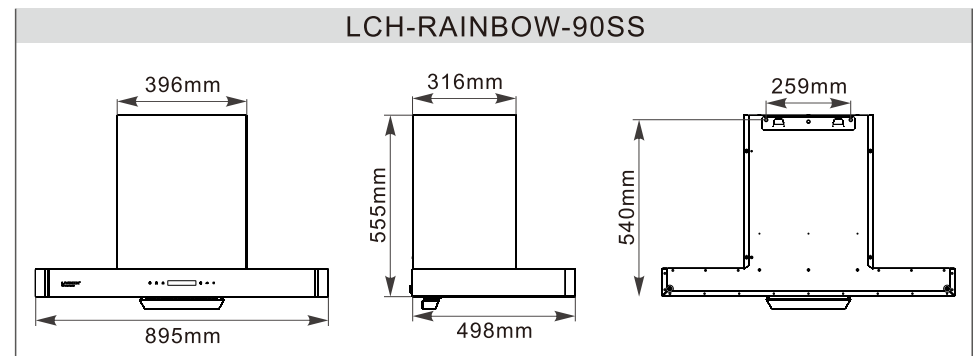
Total Power : 272W

Motor Power : 220W

Heating Power : 50W

Lamp Power : 1x2W

Product Dimension :



NOTICE

This product must not be disposed together with domestic waste. It has to be disposed at an authorized place for recycling of electrical and electronic appliances. By collecting and recycling waste, you help to save natural resources and make sure the product is disposed in an environmental friendly and healthy way.

