

# LIVINOX<sup>®</sup>

User Manual

LCH-ROSEDC-90BL

## From the Manufacturer

Please read this user manual carefully before attempting to operate the appliance and keep it in a safe place for future reference.

This appliance and its packaging are produced by processes that minimize waste and respect the environment. Please help us to continue this effort to protect the environment by using the appliance efficiently and dispose of the packaging in a responsible manner.

## FOR THE USER

### 1. Safety Instruction

#### Warning



**PLEASE READ THIS SECTION THOROUGHLY BEFORE ATTEMPTING TO OPERATE THE APPLIANCE**

- 1.To ensure adequate ventilation in the room when the range hood is in use at the same time as gas/fuel burning cooking appliances (this is not applicable to appliances that only discharge the air back into the room).
- 2.There is a fire risk if cleaning is not carried out in accordance with the instructions.
- 3.To avoid using food products that produce flame under the range hood.
- 4.Do not “flambé” food (is a cooking procedure in which alcohol is added to a hot pan to create a burst of flames) under the range hood.
- 5.Sufficient air is needed for proper exhausting of gases through flue (chimney) of fuel burning appliances.
- 6.This appliance is not intended for use by persons (including children) with reduced physical, sensory, mental capabilities, lack of experience and knowledge.
- 7.To reduce risk of fire and to properly exhaust air and to ensure to duct air outside. Do not vent exhaust air into spaces within walls, ceilings, into attics and crawl spaces.

#### Installation

1. This appliance must be installed or repaired by a qualified technician only.
2. Do not modify any part of this appliance by yourself.
3. To ensure the location in which this appliance is installed has good and permanent ventilation.
4. In ducted mode, there must be one or more permanent air inlet. The air collected must not be discharged into a duct used to blow off smoke from other appliances fed with electricity.
5. The distance between the bench to the lower part of the hood must not be less than 300-350mm.
6. Use an electrical connector with earth that is correct for your location.
7. To check the voltage in your area correspond to the appliance as indicated on the rating label.
8. Do not connect the hood to a duct that carries combustion fumes (e.g. fireplace).



#### **Intended For Household Use**

- 1.This product is designed for household use only and should never be used for commercial applications.
- 2.After use, always ensure that all controls are in the "OFF" position.
- 3.When frying with a gas flame, take particular care not to allow the oil or grease in the pan to catch fire.

## Cleaning, Maintenance & Service

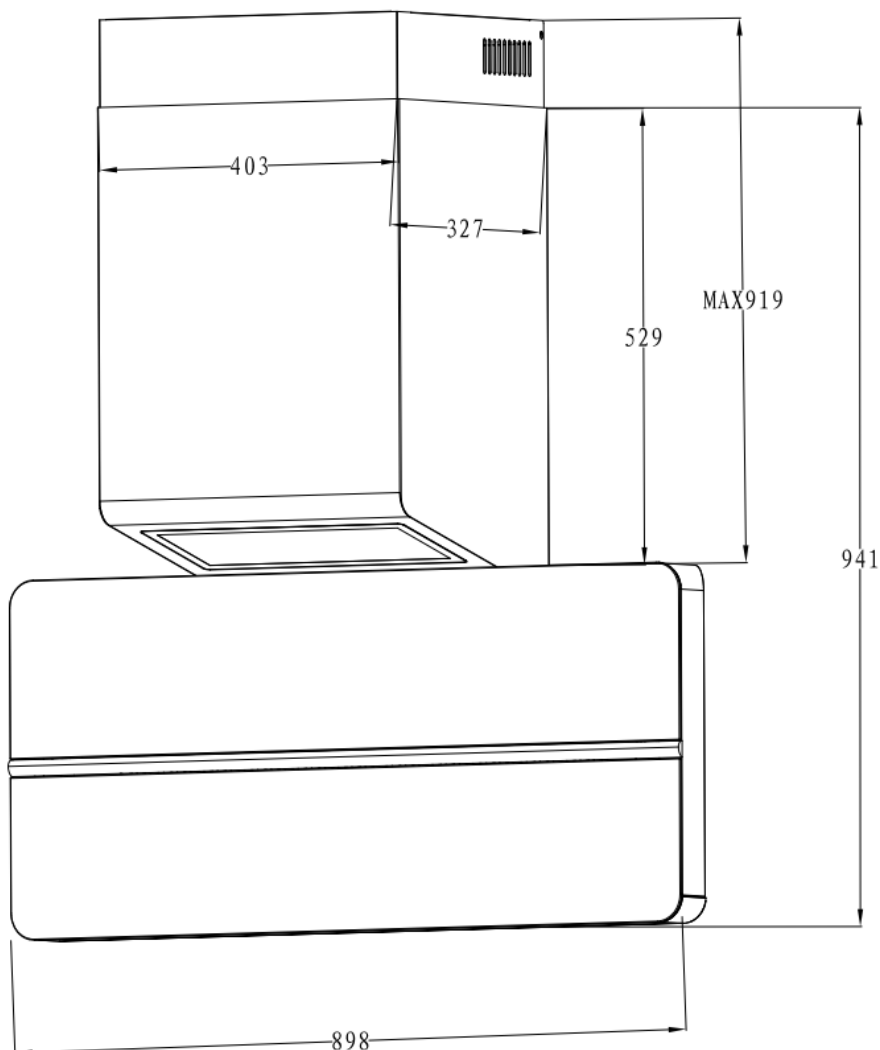
It is very important to clean and maintain the grease filters regularly (at least once monthly) to improve its efficiency in eliminating heat and contaminated air in the kitchen. Heavy oil deposits is a fire hazard. Hood surface should be cleaned with soft cloth and non-corrosive detergent.

**Important:** Never attempt to repair this appliance by yourself. Always refer to qualified Service Technicians. For safety precaution, always purchase the original replacement parts. Always switch off the power and unplug the connection before conducting maintenance or cleaning.

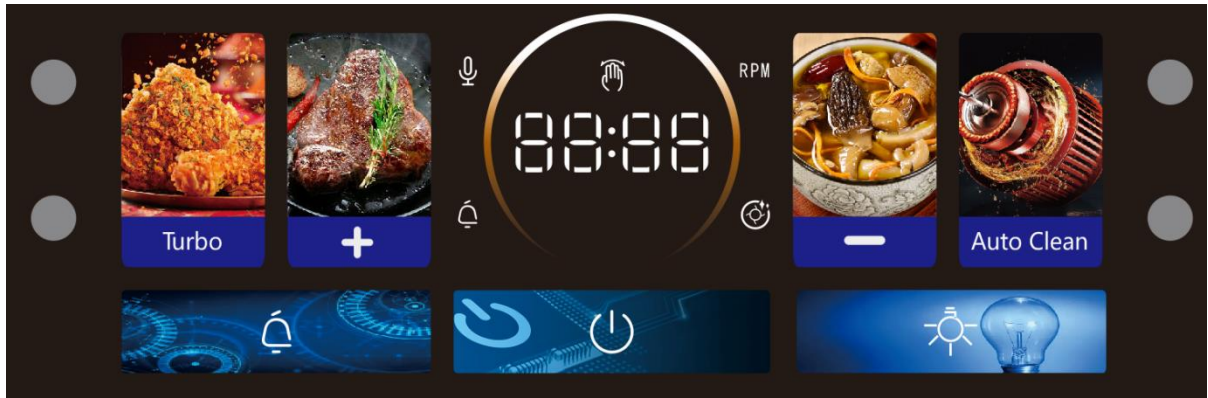
## Electrical Cord

- 1.To ensure the electrical cord is not exposed to heat, chemical or sharp objects.
- 2.If the electrical cord is damaged, it must be replaced by the manufacturer or its service agent or qualified electrician.

## 2. Dimension Diagrams



## 3. Instructions for use





Press Turbo, The indicator blinks three times, its indicator light is on and the fan is at booster/highest speed (LED Screen shows "F4"). After running for 3 minutes, it will automatically switch to high speed state. Press again, the motor will stop working, the indicator light will be off, and the range hood will enter non-working state.


Press +, Press + once, The indicator blinks three times, the fan is working at low speed (LED screen shows "F1"). Press C second, The indicator blinks three times, the fan runs at mid speed (LED screen shows "F2"). Press C third, The indicator blinks three times, the fan runs at high speed (LED Screen shows "F3"). Press C fourth, The indicator blinks three times, The display shows the time, enter non-working state.

Press -, Press - once, The indicator blinks three times, the fan is working at high speed (LED screen shows "F3"). Press C second, The indicator blinks three times, the fan runs at mid speed (LED screen shows "F2"). Press C third, The indicator blinks three times, the fan runs at low speed (LED Screen shows "F1"). Press C fourth, The indicator blinks three times, The display shows the time, enter non-working state.

Press Auto Clean, In non-working state, press Auto Clean for 3 seconds, oil removing function will operate for 10 minutes (The fan will automatically operate at high speed for 1 minute after the 10 minutes cleaning function.). press Auto Clean for 3 seconds again, The indicator blinks three times, turn off oil removing function.

Press , In non-working state, Press 3 seconds to set clock, the hour position on LED screen twinkles then you can use + and - to set hour. Press Settings once again, the minute position on LED screen twinkles then you can use + and - to set minute.

Press , turn on power. Press it again, turn off power.

Press , In non-working/ working state, Press once, The indicator blinks three times, turn on the light. Press again, The indicator blinks three times, turn off the light.

## Cleaning & Maintenance



ALWAYS SWITCH OFF AND UNPLUG FIRST!

### SURFACES:

Wash with warm soapy water and a soft sponge. Never use abrasive detergent, scouring pads, steel wool or solvents on any part of this appliance as this will cause irreparable damage.

### ALUMINIUM NET:

Wash in the dishwashers or soak the panels in a degreasing agent for an hour, then rinse off and dry before re-installing.









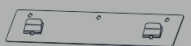

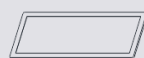


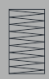




For this appliance to function effectively, regular maintenance is a must.

Clogged filters restrict airflow and may cause the motor to overheat.

## 4. Installation

1. Use suitable bolts to mount the appliance on a secure surface.
2. The minimum distance between the supporting surface for the cooking vessels on the hob and the lowest part of the range hood. When the range hood is located above a gas appliance, this distance should be between 300-350mm. If the instructions for installation for the gas hob specify a greater distance, this has to be taken into consideration.
3. To obtain best performance, it is advisable to install in an air ventilated area.
4. Do not install the outlet of the exhaust duct in the wind direction, which can prevent the exhaust air from flowing backward.
5. Fasten the components on exhaust outlet with screws. To perform for smooth airflow, the exhaust duct should bend in L-shape till exhaust outlet

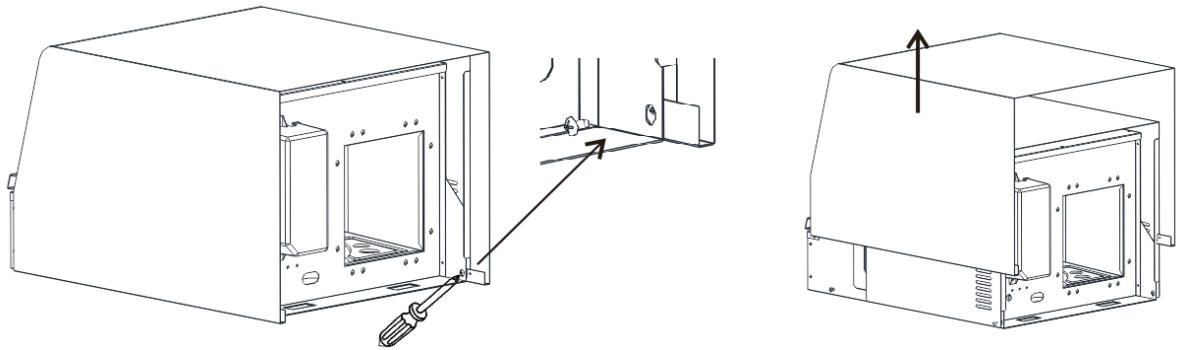
1) Complete components include as follow :

 Fan Assembly 	1PC	 Fixing Screws	1bag
 Chamber Assembly 	1PC	 Metal Vent Hood	1 PC
 Oil Cup 	1PC	 Hook	1PC
 LED Light 	1PC	 Ducting Cover Bracket	1PC
 Exhaust Duct 	1PC	 Warranty Card	1 PC
 Duct Cover 	1PC	 Manual book	1 PC

**NOTE: Fixing Screws bag should contain :**

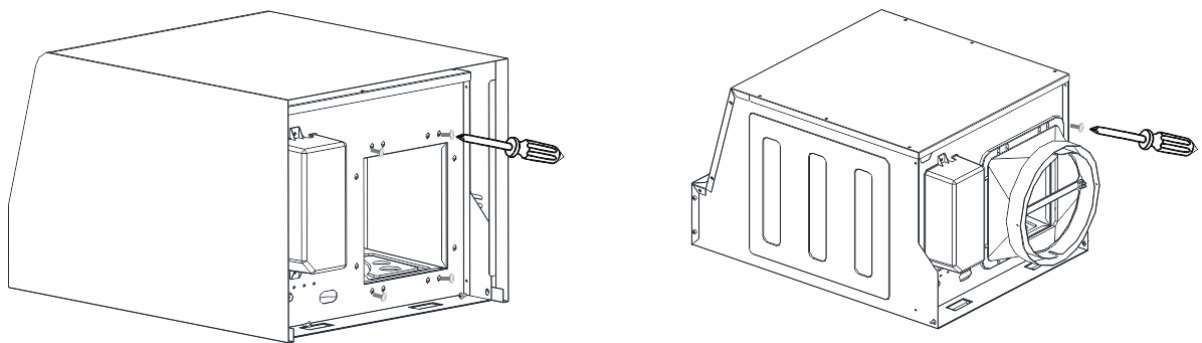
Screw Size			
ST4.8 x 3PCS	M4-10 x 4PCS	M4-8 x 15PCS	ST2.9-12 x 2PCS
ST3.9-25 x 4PCS (including 4PCS plastic expansion bolt)		ST5-40 x 3PCS (including 3PCS plastic expansion bolt)	
1M grey sponge tape			

- 2) Use a phillips screwdriver to loosen the two pieces of screws on the left and right side and remove chimneys as per below fig.:

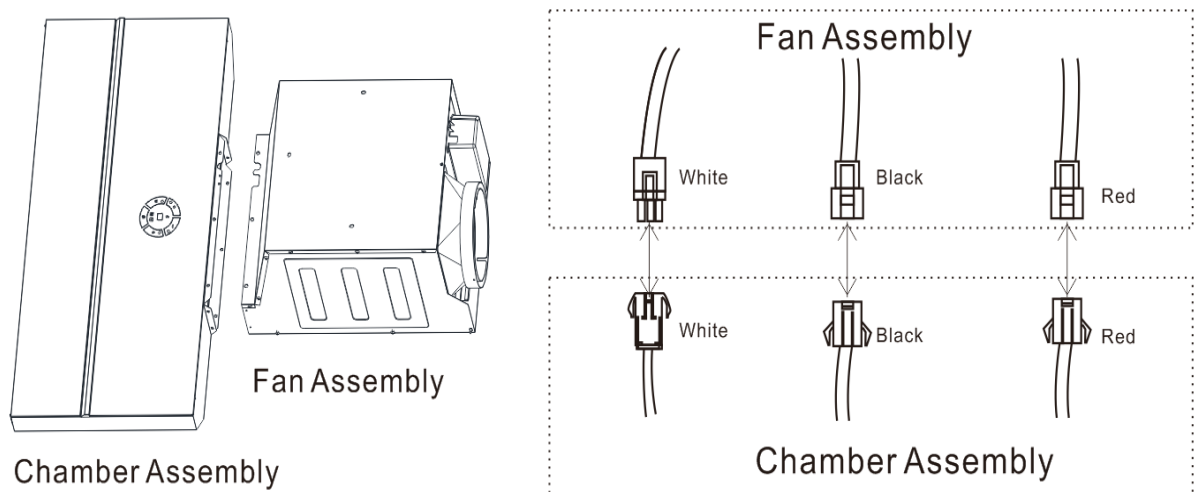


- 3) Install duct cover:

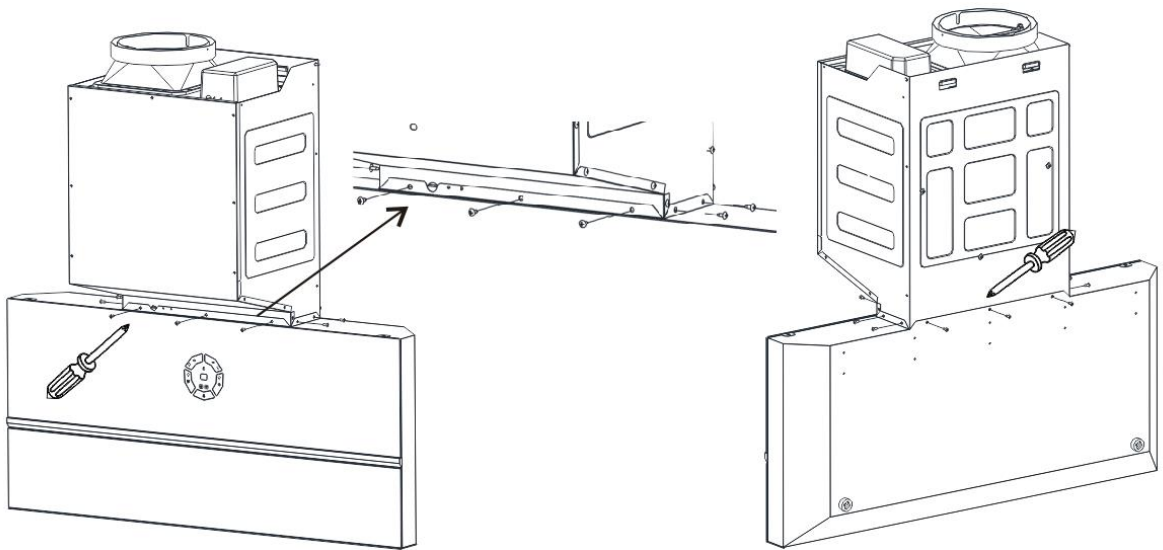
Please remove the sponge tape and adhere it under the bottom of the duct cover. Remove the four screws (M4\*16mm) from motor outlet, Fix the duct cover onto fan assembly as per below fig.



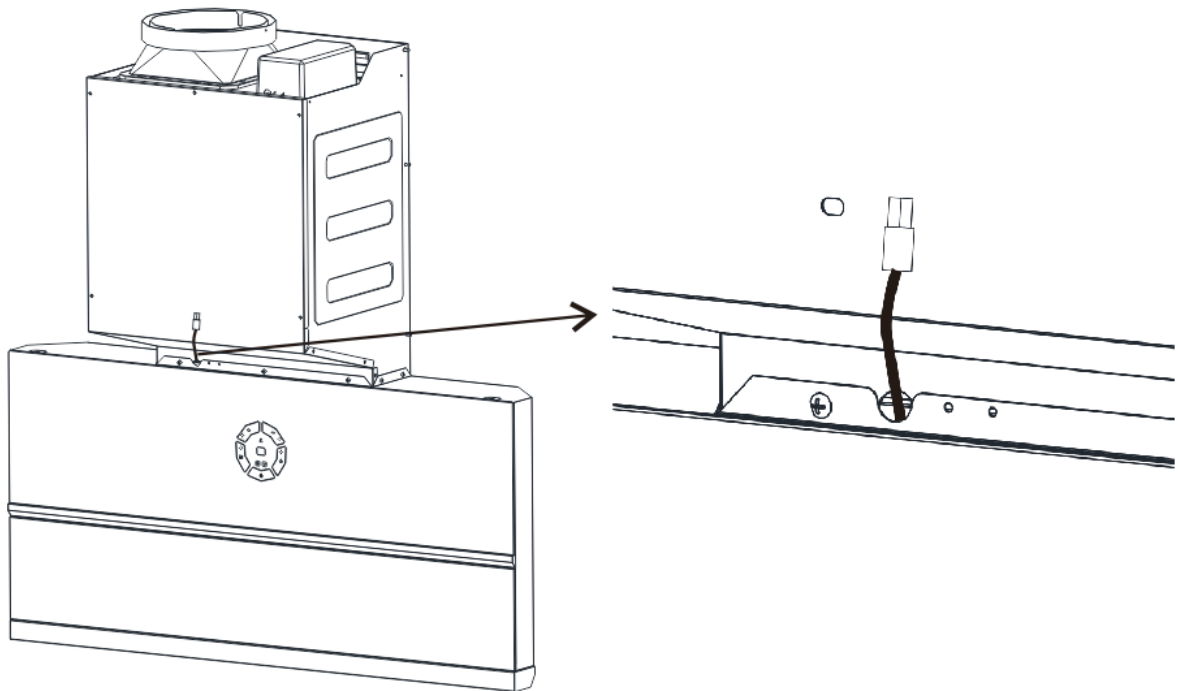
- 4) Please connect the wires between fan assembly and chamber assembly as per below fig



- 5) Fix the Fan Assembly & Chamber Assembly by using the 10 pcs M4x8mm screws to tighten it as per below fig.

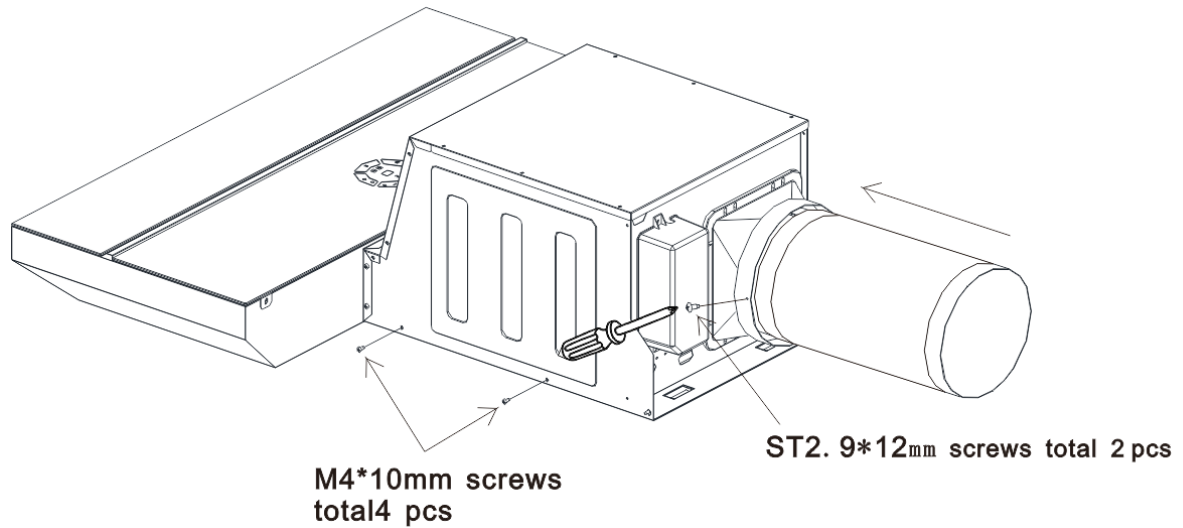


- 6) LED light plug must pull out from the hole to enable the connection to LED lamp.

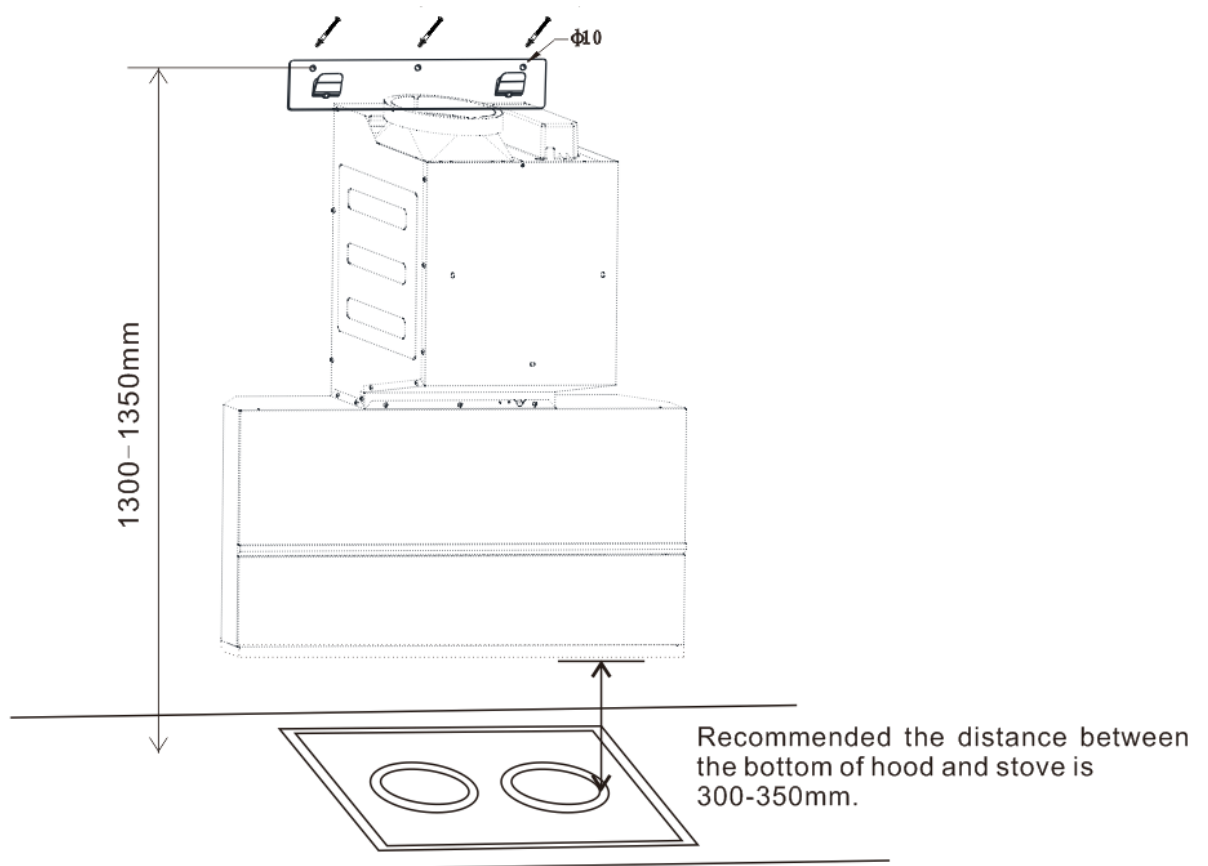


- 7) Install the Exhaust Duct: Fix the Exhaust Duct and duct cover tightly with 2 pcs ST2.9\*12mm screws. Then fix 2pcs M4\*10MM screws to each side of the body.

Remarks: Do not screw too tight, keep about 5mm gap between the body and M4\*10mm screw head as per below fig

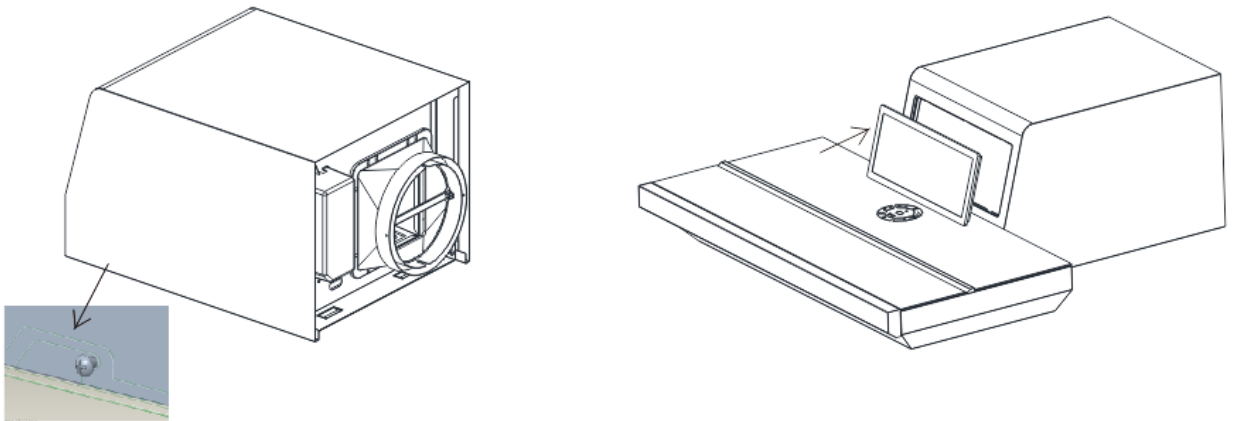


- 8) Install The Hook : Measure a standard hanging height and pre-drill 3 holes by horizontal position on the wall, and drive the plastic expansion bolt into the holes. Use 3pcs ST4.8 screws to fasten the hook on wall firmly.



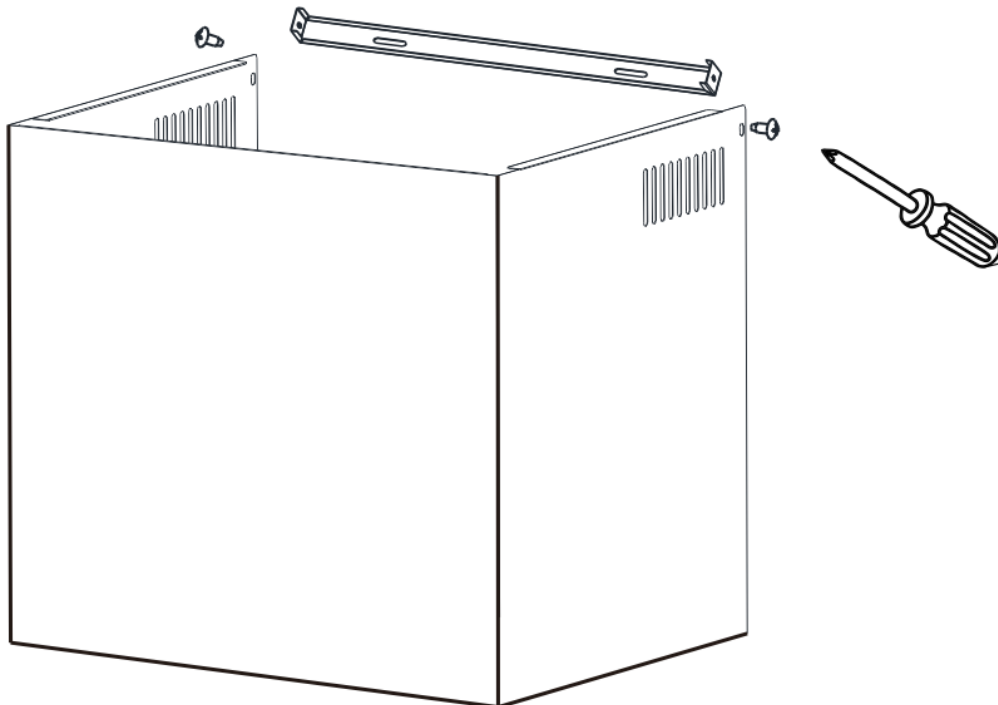


- 9) Install the fan assembly into the chamber assembly and align the second holes with 2pcs M4 screws.  
Connect LED light plug into fan assembly

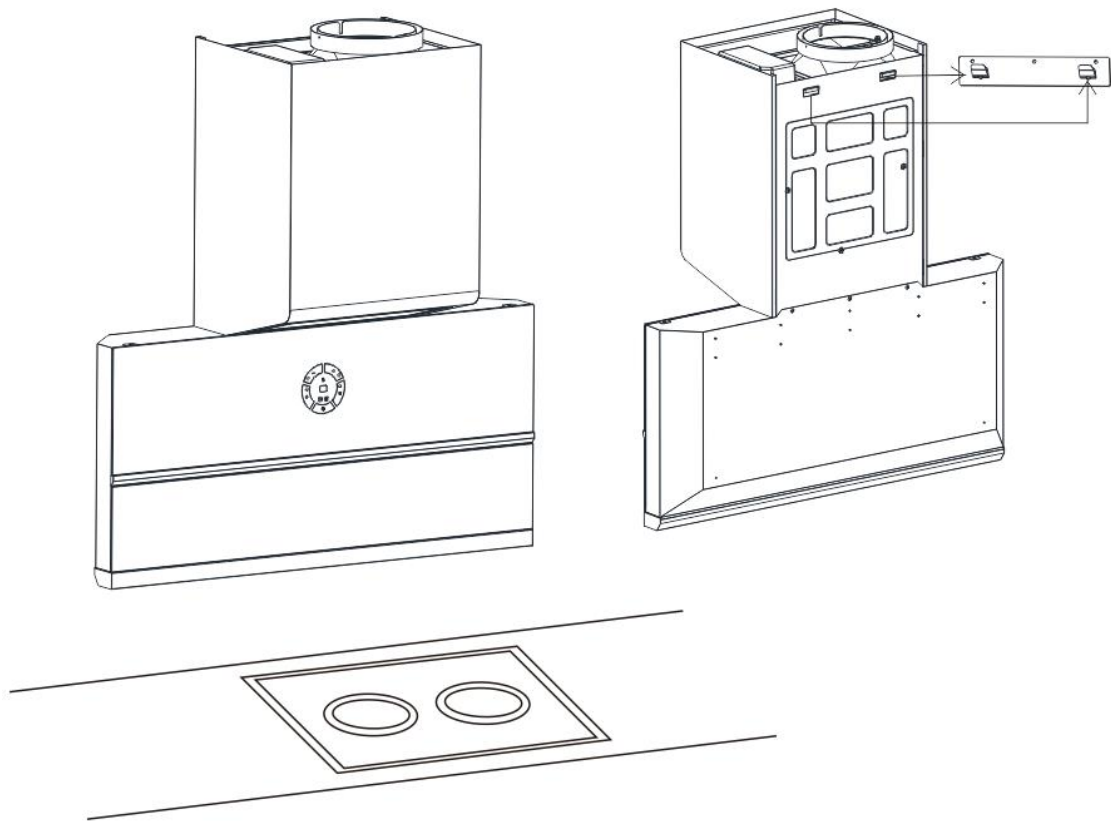


**NOTE:** Be sure the internal card positions on the left and right sides of chimneys are fastened with the screws in place after installing Chimneys

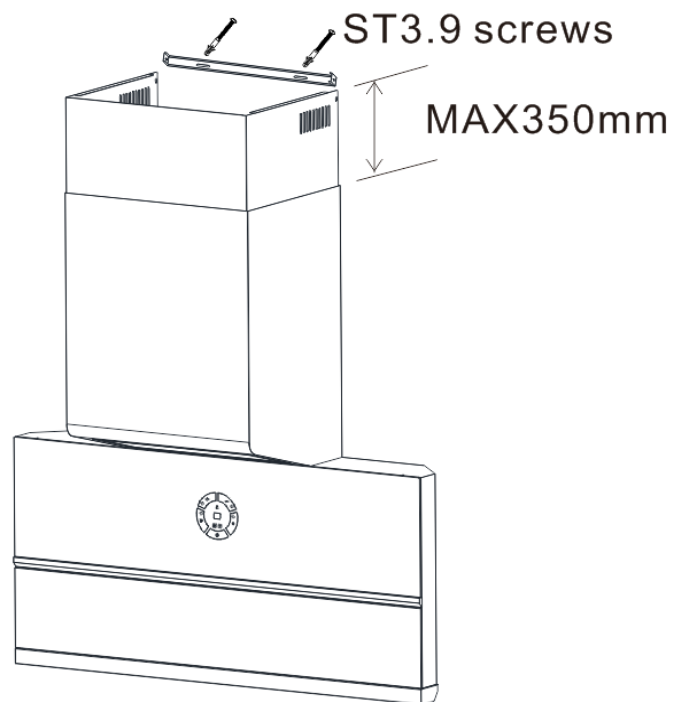
- 10) 1<sup>st</sup> chimney and ducting cover bracket connection : Use a philips screw driver to fix the ducting cover bracket into the extra chimney with 2 PCS Screws M4\*8 mm as below fig. :



11) Install the cooker hood: Hang the complete set onto the hook firmly.



12) 2nd Chimney installation: Measure a suitable height for 2<sup>nd</sup> Chimney and pre-drill with 2 screws holes by horizontal position on wall. Insert the plastic expansion bolt into the holes and tighten the ducting bracket by 2 pcs ST3.8\*25mm screws. Pull up the 2<sup>nd</sup> chimney to fix on the bracket.



## **FOR THE INSTALLER**

### **5. Safety Information**

1. Electrical connection must be in accordance with the local standards and laws.
2. To ensure that the electrical supply in compliance with the appliance setting, otherwise, do not connect.
3. To ensure the power supply cord is free from any heat source or sharp objects.
4. The electrical connection of this appliance must be soundly earthed. In the event of electrical short circuit, grounding reduces the risk of electrical shock. If unsure, contact a qualified electrician.
5. Replacement of lamp must not exceed 20W.
6. LED lamp must not exceed 1.5W/7W.



Wire Color Codes:

Green & Yellow = EARTH

Blue = NEUTRAL

Brown = LIVE

### **6. Trouble shooting**

<b>Problems</b>	<b>Possible Cause</b>	<b>Action</b>
<b>Not function</b>	<b>No power supply</b>	<b>Check that the main switch is turned on</b>
		<b>Check that the plug is connected</b>
<b>Poor airflow</b>	<b>Aluminum grease filter clogged</b>	<b>Clean the filters and replace when dry</b>
	<b>Charcoal grease filters clogged</b>	<b>Replace charcoal filters with new sets</b>
<b>Motor running but no airflow</b>	<b>Butterfly valve jammed</b>	<b>Contact technician</b>
<b>Motor cuts after a few minutes</b>	<b>High temperature safety device activated</b>	<b>The kitchen is not sufficiently ventilated</b>
	<b>The hood is installed too near the cooking stove</b>	<b>The hood must be at least 300mm from stove</b>
<b>Strong cooking smell</b>	<b>Airflow weak/ventilation clog</b>	<b>Clean the Aluminum filter and replace when dry. Check duct cover valve, contact technician if jammed.</b>
<b>Oil dripping</b>	<b>Oil cup missing or not installed</b>	<b>Remove aluminum filter and replace oil cup</b>
	<b>aluminum grease filter saturated</b>	<b>Wash the aluminum grease filters</b>
<b>Whirring sound</b>	<b>Abnormal object clog on fan blade</b>	<b>Contact technician</b>

