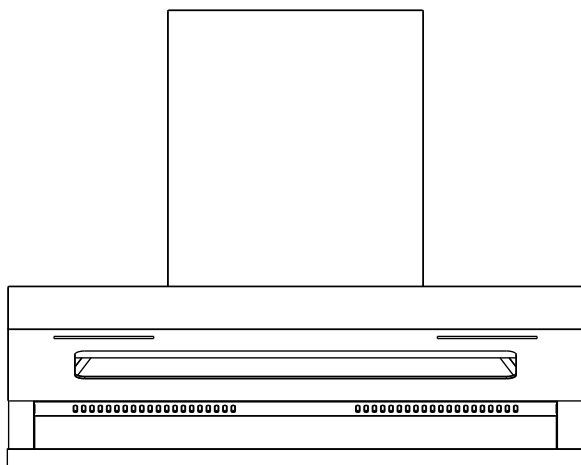


# Instruction Manual

**LIVINOX<sup>®</sup>**

**LCH-VELLA-90BL**





# Instruction Manual

<b>Content</b>	<b>Page</b>
Introduction .....	2
Safety Precaution .....	2
Installation Instructions .....	3-10
Operations .....	11
Maintenance .....	13
Trouble Shooting .....	14
Environment Protection .....	14
Warranty Details .....	15

### **Thank you for choosing Hindware Kitchen Ensemble cooker hood.**

- This instruction manual is designed to provide you with all required instructions related to the installation, use and maintenance of the appliance.
- In order to operate the unit correctly and safety, please read this instruction manual carefully before installation and usage.
- The cooker hood use high quality materials, and is made with a streamlined design. Equipped with large power electric motor and centrifugal fan, it also provides strong suction power, low noise operation, non-stick grease filter and easy assembly installation.

### **SAFETY PRECAUTION**

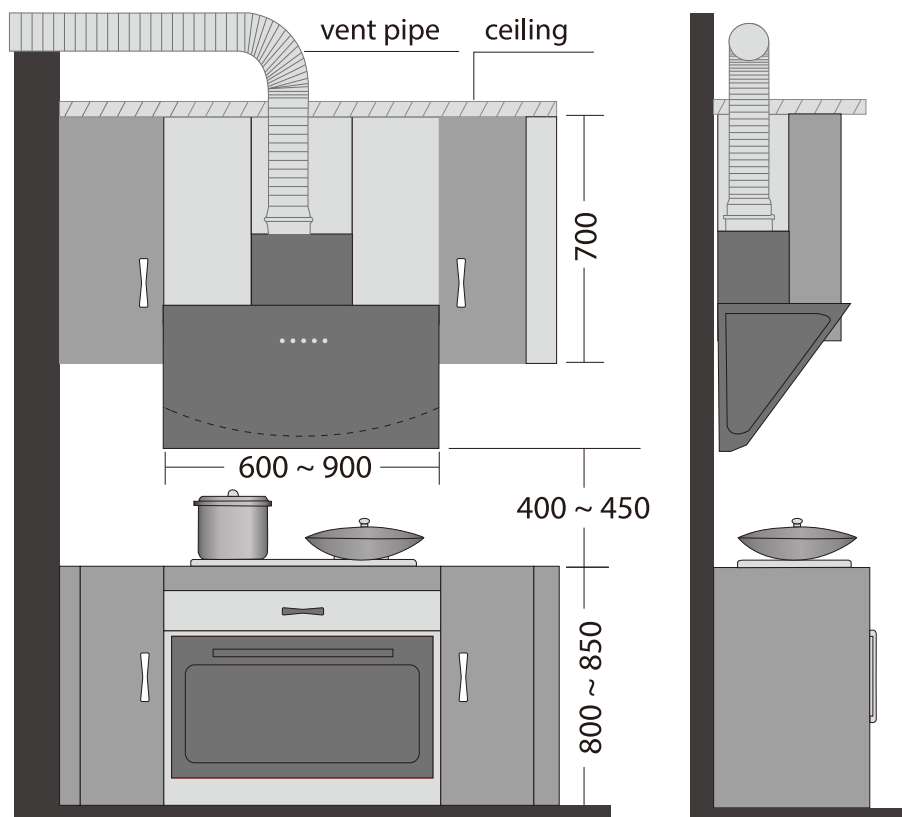
- Never let the children operate the machine.
- The cooker hood is for home use only, not suitable for barbecue, roast shop and other commercial purpose.
- The cooker hood and its filter should be clean regularly in order to keep in good working condition.
- Clean the cooker hood according to the instruction manual and keep the unit from danger of burning. There is a fire risk if cleaning is not carried out in accordance with the instructions.
- Forbid the direct baking from the gas cooker.
- Please keep the kitchen room a good convection.
- Before connecting this appliance check that the power supply cord is not damaged. A damage supply cord must be replaced by qualified service personnel only.
- There shall be adequate ventilation of the room when the range hood is used at the same time as appliances burning gas or other fuels;
- The air must not be discharged into a flue that is used for exhausting fumes from appliances burning gas or other fuels;
- Regulations concerning the discharge of air have to be fulfilled.
- This appliance if not intended for use by persons(including children) with reduced physical, sensory or mental capabilities, or lack of experience and knowledge, unless they have been given supervision or instruction concerning use of the appliance by a person slide for their safety.
- Children should be supervised to ensure that they do not play with the appliance.
- Do not flambe under the range hood.
- CAUTION: Accessible parts may become hot when used with cooking appliance.

### **Electrical Shock Hazard**

- Only plug this unit into a properly earthed outlet. If in doubt seek advice from a suitably qualified engineer.
- Failure to follow these instructions can result in death, fire, or electrical shock.

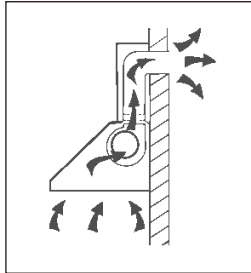
## INSTALLATION INSTRUCTIONS

Choose the type of drill bit according to the material of the wall.  
(All dimensions mentioned below are in millimeter)

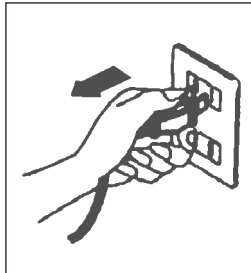


### 1. Prepare for installation:

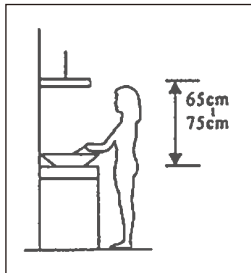
- a. If you have an outlet to the outside, your cooker hood can be connected as below picture by means of an extraction duct (enamel, aluminum, flexible pipe or inflammable material with an interior diameter of 150mm)



- b. Before installation, turn the unit off and unplug it from the outlet.



- c. The cooker hood should be placed at a distance of 65~75cm above the cooking plane for best effect.

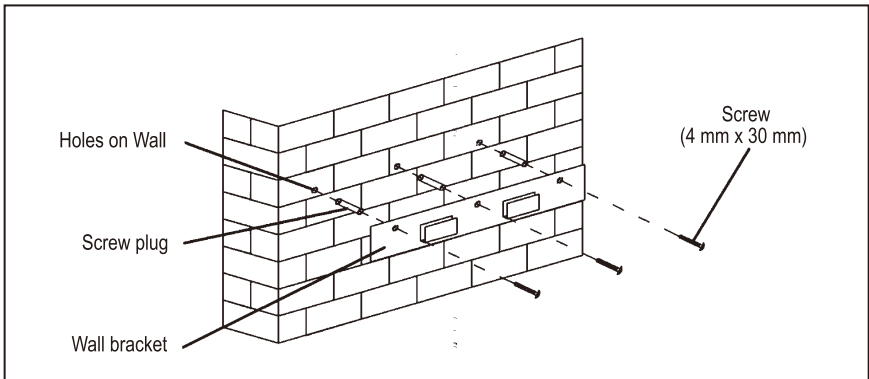


## 2 INSTALLATION (VENT OUTSIDE)

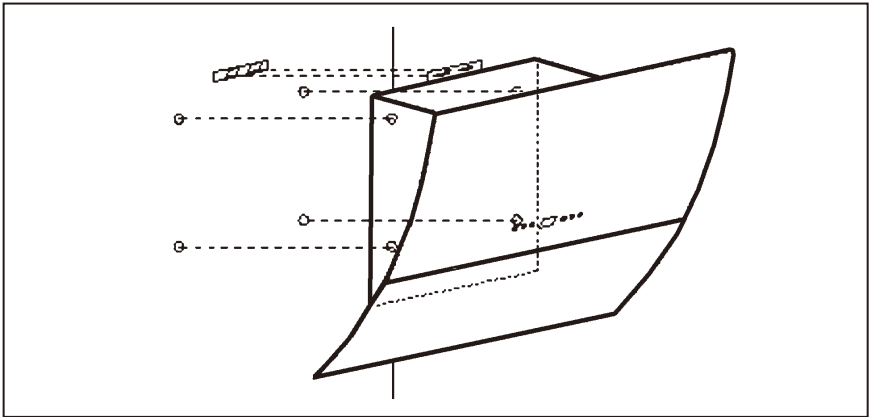
Attention! Observe the warning in the instruction sheet concerning the operation of the appliance when air is discharged from the room.

When the range hood and appliance supplied with energy other than electricity are simultaneously in operation, the negative pressure in the room must be not exceed 4 Pa ( $4 \times 10^{-5}$  Bar)

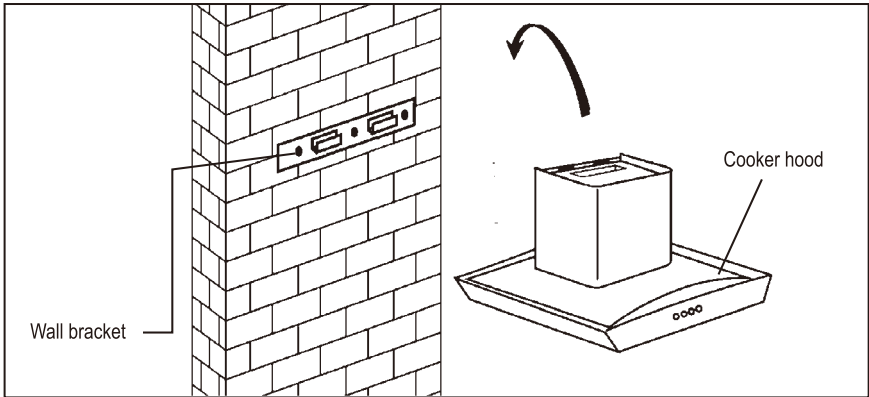
- Drill 3 x 8mm holes to accommodate the bracket. Screw and tighten the bracket onto the wall with the screws & screw plugs provided.



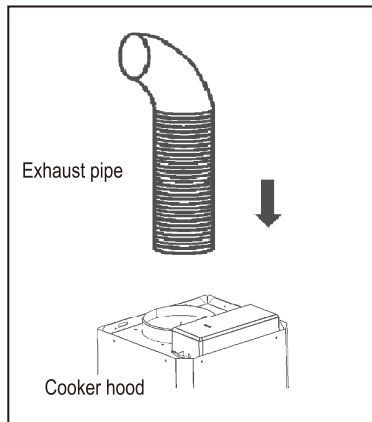
- For inclined panel Model, need to drill 4 x 8 mm extra holes & fixing screws & screw plugs before installation.



- Leave up the cooker hood and hang onto the wall bracket hook.



- Fix the one-way-valve to the air outlet of the cooker hood. Then, attached the exhaust pipe onto the one-way-valve as shown below.

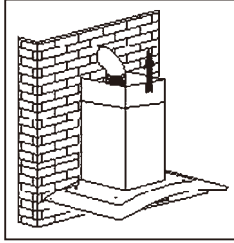


- Chimney installation.

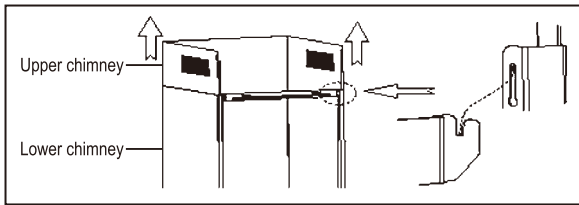
#### **For Glass model and T shape model**

- By Put the upper chimney into lower chimney. Then pulling out the upper chimney upwards. Adjust to reach the height required.

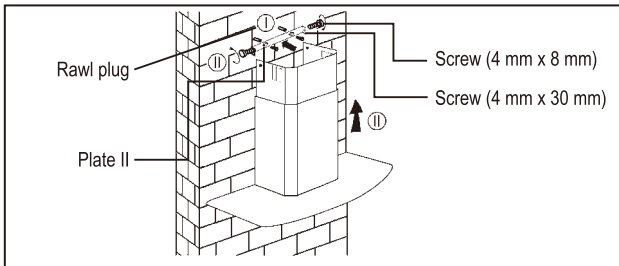




- Sliding the chimney to adjust the chimney height. When the height you required is reached, then hang the fixing hole to the fixing screws as showed in below pictures.

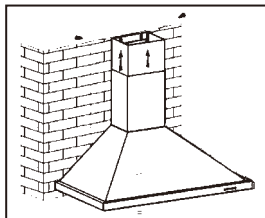


- Drill 2 x 8 mm holes to accommodate the plate II. Screw and tighten the plate II onto the wall with 2 screws provided. Assembly the chimney onto the unit and fix it with 2 screws.

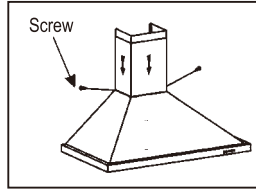


**For Tower model**

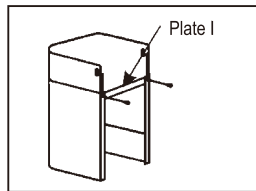
- By Put the inner chimney into upper chimney .Then pulling out the upper chimney upwards. Adjust to reach the height required.



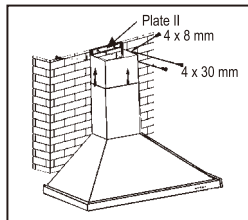
- Fix the lower chimney with 2 pcs of 4mm x 8mm screws.



- Sliding the chimney to adjust the chimney height. When the height you required is reached, then fix 2 pcs of 4mm x 8mm screws onto the hole fixing with plate I as showed in below pictures.

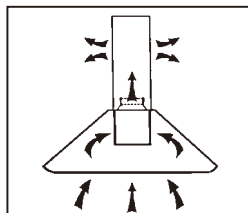


- Drill 2 x 8 mm holes to accommodate the plate II. Screw and tighten the plate II onto the wall with 2 screws provided.
- Assembly the chimney onto the unit and fix it with 2 screws.



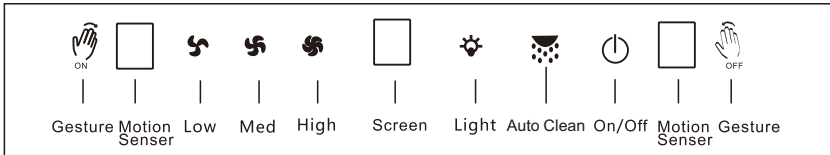
### Installation (Vent inside)

If you do not have an outlet to the outside, exhaust pipe is not required and the installation is similar to the one show in section "Installation (Vent outside)".



## Function Operation

This cooker hood is operated with a gesture control and a feather touch control panel.



### Touch control:

- Touch on the “⏻” button, the lights on the control panel will glow on and the cooker hood is now in stand-by mode.
- Touch one more time, on “⏻” button, the cooker hood will be turned off.
- Touch “🌀” button, the cooker hood will start operating on LOW speed.
- Touch “🌀” button, the cooker hood will start operating on MEDIUM speed.
- Touch “🌀” button, the cooker hood will start operating on HIGH speed.
- Touch the “💡” button, the lights will turn on. Repeat this action, the lights will turn off.
- Touch the “🌧️” button for 3 seconds. The heat auto clean function will be started.
- Long touch the “🌀” button for 3 seconds in stand-by mode. The gesture control function will be locked. Repeat this action, it will be turned on.

### Gesture control:

Gesture control is the ability to recognize and interpret movements of the human body in order to interact with and control a PCB system without direct physical contact. Which can avoid poor touch caused by oil/grease on hand. Put your hand up in front of the sensor area, reasonable distance is: 50mm, then start to control cooker hood by hand gesture:

- 1) Hand waved left to right for the first time - Chimney starts at low speed and light will glow.
- 2) Hand waved left to right for the second time - chimney speed changes to medium.
- 3) Hand waved left to right for the third time - chimney speed changes to high. Further as many time as the hand is waved from left to right the above cycle will repeat.
- 4) Hand waved right to left - to turn off the chimney regardless of speed it is running on that particular moment.

## Auto-Clean

A unique “Auto-Clean” function has been provided in this cooker hood. This cooker hood comes equipped with an oil collector tray. During cooking, the excess oil and dirt which gets sucked into the cooker hood gets drained into this oil collector.

However, over the time, some traces of stubborn grease and oil can get stuck inside the cooker hood.

In order to eliminate this stubborn grease and clean the cook hood from inside, we have designed this unique feature.

This new generation auto-clean function works with the help of specially designed heating element fixed within the hood.

Please make sure that the cooker hood is in stand-by model. Now touch the “Auto-Clean” button on the panel. A reverse timer of 10:00 minutes will get activated and the light for auto-clean will start blinking.

After the special heater has worked for 9 minutes, the fan will automatically start operating at low speed for the balance remaining 1 minute.

Most of the grease present within the cooker hood will get evaporated and blown out of the air-outlet. Any remaining grease will get drained out into the oil collector tray, located at the back of the filter.

The auto-clean function will stop operating at the end of 10 minutes.

Wait for a moment and then carefully remove the oil collector tray ensuring that you do not spill the grease.

Drain the collected grease into a sink and clean the oil collector tray with a soft cloth.

Fix the oil collector tray back at its place by sliding it in the rails at both the ends. Ensure that the tray is fixed properly.

Your cooker hood is clean as new from inside now.

## MAINTENANCE

Before cleaning switch the unit off and pull out the plug.

### I. Regular Cleaning

Use a soft cloth moistened with hand-warm mildly soapy water or household cleaning detergent. Never use metal pads, chemical, abrasive material or stiff brush to clean the unit.

### II. Monthly Cleaning for Grease Filter

*ESSENTIAL:* Clean the filter every month can prevent any risk of fire.

The filter collects grease, smoke and dust..... so the filter is directly affecting the efficiency of the cooker hood. If not cleaned, the grease residue (potential flammable) will saturate on the filter. Clean it with household cleaning detergent.

### III. Annual Cleaning for Activated Carbon Filter

Apply **SOLELY** to unit that installed as a recirculation unit (not vented to the outside). This filter traps odours and must be replaced at least once a year depending on how frequent the cooker hood used.

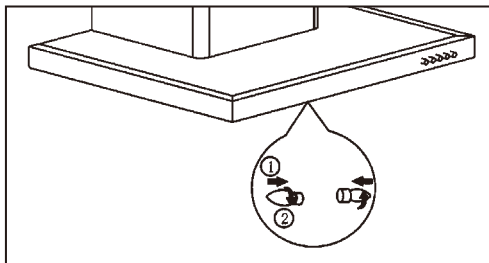
### IV. Bulb Replacement

1. Switch the unit off and unplug the appliance.
2. Remove the lamp cover by unscrewing the 2 screws.
3. Unscrew the incandescent bulb.
4. Replace with the same type and rated bulb/lamp.

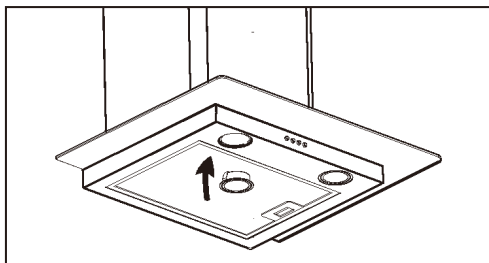
E14 Incandescent Bulb: (220V E14 Max 40W).



(max, 20W)  
(max, 1.5W)



Halogen lamp  
& LED lamp



## TROUBLESHOOTING

Fault	Cause	Solution
Light on, but fan does not work	The fan blade is jammed.	Switch of the unit and repair by qualified service personnel only.
	The motor is damaged.	
Both light and fan do not work	Light bulb burn.	Replace the bulb with correct rating.
	Power cord looses.	Plug in to the power supply again.
Serious Vibration of the unit	The fan blade is damaged.	Switch of the unit and repair by qualified service personnel only.
	The fan motor is not fixed tightly.	Switch of the unit and repair by qualified service personnel only.
	The unit is not hung properly on the bracket.	Take down the unit and check whether the bracket is in proper location.
Suction performance not good	Too long distance between the unit and the cooking plane	Readjust the distance to 65-75 cm



## ENVIRONMENTAL PROTECTION

Waste electrical products should not be disposed of with household waste. Please recycle where facilities exist. Check with your Local Authority or retailer for recycling advice.

This appliance is marked according to the European directive 2002/96/EC on Waste Electrical and Electronic Equipment (WEEE).

By ensuring this product is disposed of correctly, you will help prevent potential negative consequences for the environment and human health, which could otherwise be caused by inappropriate waste handling of this product.

The symbol on the product indicates that this product may not be treated as household waste. Instead it shall be handed over to the applicable collection point for the recycling of electrical and electronic equipment

Disposal must be carried out in accordance with local environmental regulations for waste disposal.

For more detailed information about treatment, recovery and recycling of this product, please contact your local city office, your household waste disposal service or the shop where you purchased the product.

**LIVINOX<sup>®</sup>**

DISTRIBUTED BY:  
**LIVINOX MALAYSIA SDN. BHD.**  
Block B-1-29, Dataran Cascades  
No. 13A, Jalan PJU 5  
Kota Damansara  
47810 Petaling Jaya, Selangor