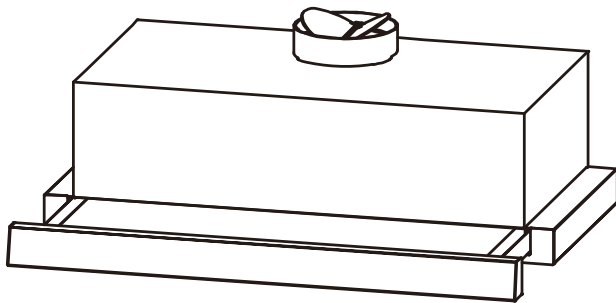


LIVINOX[®]

INSTRUCTION MANUAL



COOKER HOOD

LCH-60L03

LCH-90L03

Before operating this unit, please read these instructions completely.

Information and advice

- A)** There shall be adequate ventilation of the room when the range hood is used at the same time as appliances burning gas or other fuels.
- B)** Do not check the status of the filters while the cooker hood is operating.
- C)** Do not touch the light bulb within half an hour after appliance use.
- D)** Do no flame under the cooker hood.
- E)** Avoid opening gasometer when there is no pan on the stove, as it is damaging for the filters and a fire hazard.
- F)** Constantly check food frying to avoid that the overheated oil may become a fire hazard.
- G)** Disconnect the electrical plug prior to any maintenance.
- H)** If the supply cord is damaged, it must be replaced by the manufacture, its service agent or similarly qualified persons in order to avoid a hazard.
- I)** The socket outlet for the range hood must be located so it is easily accessible for the user after installation. Ensure the mains supply voltage corresponds with that of the appliance.
- J)** There is a fire risk if cleaning is not carried out in accordance with the instruction.

- K)** This appliance can be used by children aged from 8 years and above and persons with reduced physical, sensory or mental capabilities or lack of experience and knowledge if they have been given supervision or instruction concerning use of the appliance in a safe way and understand the hazards involved.
- L)** Children shall not play with the appliance.
- M)** Cleaning and user maintenance shall not be made by children without supervision.
- N)** When the hood is in repair, maintenance, replacement of parts, please pull out the plug, ensure the safety of the people. To protect the main body from corrosive of the long time accumulation of dirt, the cooker hood should be cleaned with hot water with non-corrosive detergent every two months.
- O)** Don't put things on the drawer, so as to avoid dropping in the operation of the drawer.
- P)** The air must not be discharged into a flue that is used for exhausting fumes from appliances burning gas or other fuels (not applicable to appliances that only discharge the air back into the room).
- Q)** Regulations concerning the discharge of air have to be fulfilled.
- R)** When the range hood and appliances supplied with energy other than electricity are simultaneously in operation, the negative pressure in the room must not exceed 4 Pa (4×10^{-5} bar).
- S)** Regarding the instructions for the method and frequency of cleaning, thanks to refer to the section "Installation".
- T)** Regarding the instructions for the method of fixing and how the appliance is to be fixed to its support, thanks to refer to the section "Cleaning Instruction".

- U)** Regarding the instructions for the blub replacement, thanks to refer to the section “Replacing Bulb”.
- V)** Failure to install the screws or fixing device in accordance with these instructions may result in electrical hazards.
- W)** The appliance uses 4 hob elements at most.

CAUTION: Accessible parts may become hot when used with cooking appliance.

Please keep this instruction booklet in a safe place for future reference.
Please read this instruction manual careful: it contains important information concerning the safe operation, installation and maintenance of the appliance.

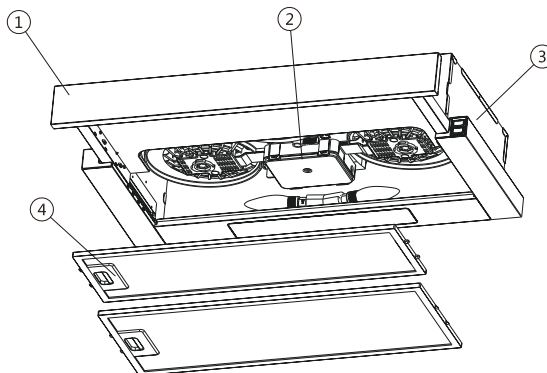
Know your cooker hood

Please read these instructions before using your cooker hood.

1. Drawer assembly
2. Air duct assembly
3. Main body
4. Filter assembly

Also include:

- Check valve
- Install screws package
- User instructions



Information

Congratulations on the purchase our cooker hood which is designed to include many superior features that permit you the fullest expression of your living. Before installing and/or using the cooker hood carefully read all the instruction.

Installation

Ensure the power has been turned off before beginning this installation.

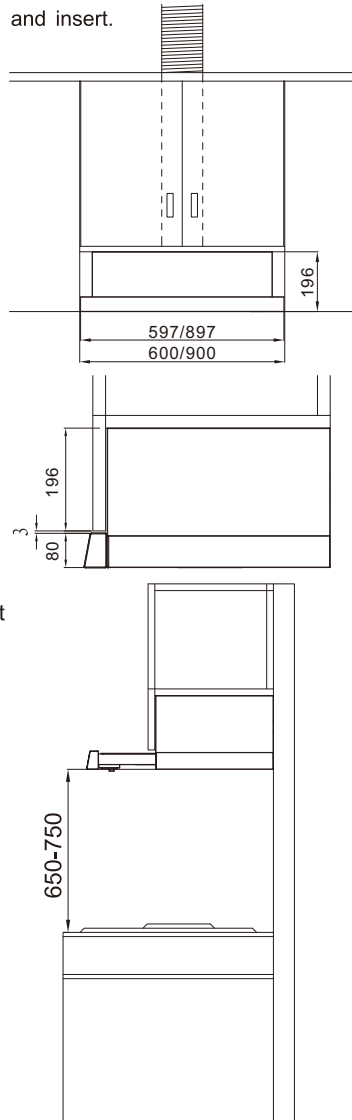
Plug must be assembled in places easy to drag and insert.

To install this hood you will require two assistants. You will need the following tools and material to complete this installation: *Drill* Flat head screwdriver *Phillips head screwdriver or cordless drill and Phillips head bit* Tin snip* *measuring tape* hand saw or jig saw* electrical tap* duct tape

1. Remove the range hood from the carton.
2. Lay the hood upside down on a table covered with cardboard or paper to prevent scratching of the table or hood.
3. Hood installation should be within 0.6m radius range.
4. We recommend that after installation the bottom of the hood should be no less than 650mm and no more than 750mm above the stove's heating elements and burners.

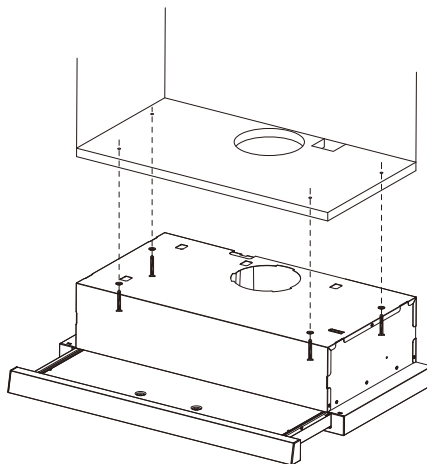
Information

Installation work and electrical wiring must be done by qualified person(s) in accordance with all applicable codes and standards, including fire rated construction.



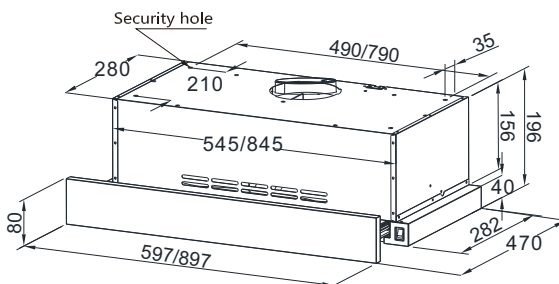
Method 1

1. According to the figure, make sure the position of hood in the cabinet. The wood strips should be line up with the 4 keyholes slots on the top of the range hood. On the cabinet, install 4 screws(supplied) according to the relative position of 4 key holes on the bottom of hood. The extent of screwing should be convenience to the next installation.



2. Hang the hood and let it's 4 key holes aim at screws, the 4 screws should be in the narrow parts of key holes. Screws should be fasten firmly, make sure that the installation between the hood and cabinet is enough fasten.

3. Install screws in the security holes, in case of front and back moving of hood, so that the using is safer.



Information

When cutting or drilling into wall or ceiling, do not damage electrical wiring or other hidden utilities.

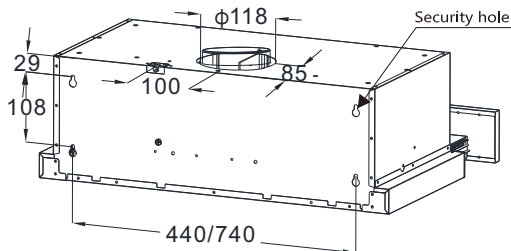
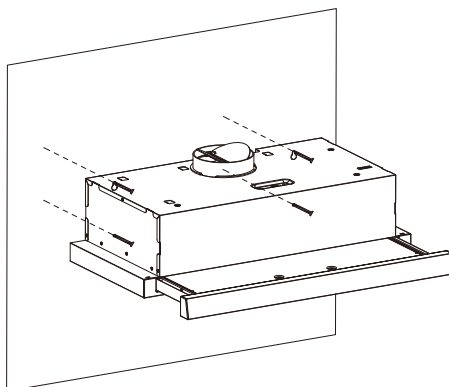
Method 2

In the installation surface in cabinet don't adapt to install the cooker hood, then as per fig, fix the position of cooker hood on the wall.

On the wall, install 2 screws (supplied) according to the relative position of 2 key holes on the back of hood. The

extent of screwing should be convenience to the next installation.

Also install screws in the security holes, in case of front and back moving of hood, so that the using is safer.



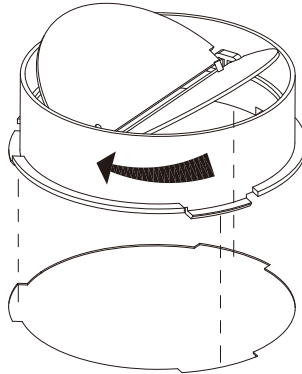
Installation of hoods built in combi cabinets is the same as previous method.

Information

The cooker hood must not be installed and connected to flues where other appliances are installed and which run off other energy supplied different to electricity (water heater boiled cookers (range/a gas) etc.).

Check valve Installation

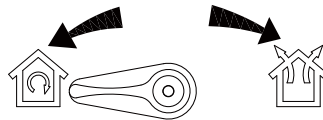
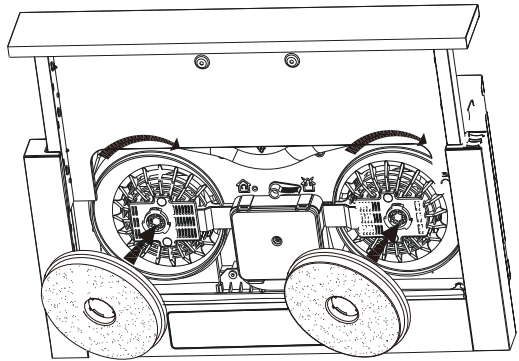
Hold on check valve with your hands, align the box gap, put in the check valve, and then spin to a certain angle until three angles of the valve are stuck. Installation is complete.



Carbon Filter

Activated carbon filter can be used to trap odors. Normally the activated carbon filter should be changed at three or six months according to your cooking habit. The installation procedure of activated carbon filter is as below.



- Slide the drawer assembly of cooker hood.
- In order to install the activated carbon filter, the metallic anti-grease filter should be detached first. Press the lock and pull it downward.
- Put the activated carbon filter into the unit in anti-clockwise direction. Repeat the same on the other side.
- Put back the grease filter in position.



Venting knob position

⚠ Information

When activated carbon filter attached, the suction power will be lowered.

	Extraction-air mode: Turn the venting knob here means venting outside
	Circulating-air mode: Turn the venting knob here means recirculation

Hood Using Method

Operation

Check beforehand

Check the safe condition of the appliance:

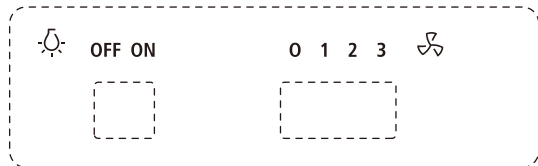
- Check whether there are visible defects.
- Check that all parts of the appliance have been securely fitted.

Switching on/off

- Slide the front part of the cooker hood. (For some models)
- There are 3 speeds for the motor and on off switch ofr the lamp.
- Slide the switch for operation.

- Motor Operation

- [0]=Off
- [1]=Low Power Setting
- [2]=Mid Power Setting
- [3]=High Power Setting



- Light Operation

- [OFF] = Off
- [ON] = On

- In the right part of the cooker hood. (For some models)

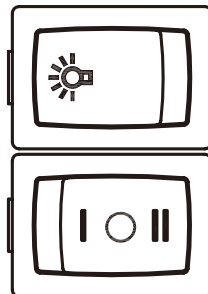
- There are 2 speeds for the motor and on off switch ofr the lamp.
- Locker switch for operation.

- Motor Operation

- [○]=Off
- [I]=Low Power Setting
- [II]=High Power Setting

- Light Operation

- []=Off
- [☀]=On



Replacing Bulb

1. Switch off the extractor hood and isolate the extractor hood by pulling out the mains plug or switching off the fuse.
2. Remove the grease filter.
3. Replace the lamp (commercially available filament lamps (max. 40watts) or halogen lamp (max. 28watts), E14 lampholder).
4. Reconnect the power by inserting the main plug or by switching on the fuse.

Information

Clean ventilation fans frequently.

Grease should not be allowed to accumulate on fan or filter.

Cleaning Instruction

Disconnect range hood from power supply before cleaning or servicing.

1. Cleaning the surface of hood frequently. Use mild soap or detergent to clean the hood.
2. Do not use harsh alkalis or abrasives.
3. Avoid the use of scouring powers or dishwasher compounds.
4. Grease filter may be washed using mild soap or detergent.

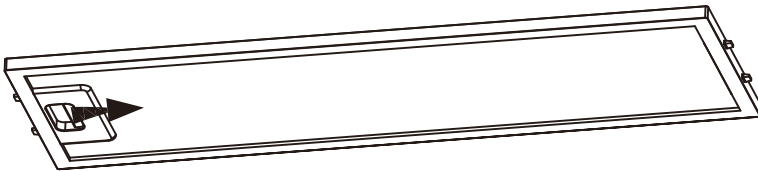
In normal operation (1 to 2 hours daily), the Grease filter must be cleaned after 2 months. (heavy grease build-up may not be cleaned easily and the filter may require replacement)

5. Charcoal filter cannot be cleaned. Depending on the frequency of use and the type of cooking, the expected life of Charcoal filter is from 1 to 6 month. Replacement is required.

Information

When cleaning water must not inter into motor, control switch etc. electrical parts.

- It is recommendable to clean the metallic filter every three months by carrying out the following instruction:
 - Remove the metallic filter from the cooker hood and wash it in a solution of water and neutral liquid detergent, leaving to soak
 - Rinse thoroughly with warm water and leave to dry.
 - The metallic filter may alter in color after several washes.This is not cause for customer complaint or replacement of metallic filter.



Information

There is a fire risk of cleaning is not carried out in accordance with the instructions.

Disposal



Please dispose of it at your local community waste collection / recycling centre and ensure it presents no danger to children while being stored for disposal. The pulg must be rendered useless and the cable cut off to prevent misuse.

LIVINOX[®]

DISTRIBUTED BY:

LIVINOX Malaysia Sdn Bhd
Blok B-1-29 Dataran Cascades NO.13A,
Jalan PJU 5 Kota Damansara,
47810 Petaling Jaya, Selangor.