

**LIVINOX<sup>®</sup>**

User Manual

LCH-METAL-90GM

## From the Manufacturer

Please read this user manual carefully before attempting to operate the appliance and keep it in a safe place for future reference.

This appliance and its packaging are produced by processes that minimize waste and respect the environment. Please help us to continue this effort to protect the environment by using the appliance efficiently and dispose of the packaging in a responsible manner.

## FOR THE USER

### 1. Safety Instruction

#### Warning



**PLEASE READ THIS SECTION THOROUGHLY BEFORE ATTEMPTING TO OPERATE THE APPLIANCE**

- 1.To ensure adequate ventilation in the room when the range hood is in use at the same time as gas/fuel burning cooking appliances (this is not applicable to appliances that only discharge the air back into the room).
- 2.There is a fire risk if cleaning is not carried out in accordance with the instructions.
- 3.To avoid using food products that produce flame under the range hood.
- 4.Do not “flambé” food (is a cooking procedure in which alcohol is added to a hot pan to create a burst of flames) under the range hood.
- 5.Sufficient air is needed for proper exhausting of gases through flue (chimney) of fuel burning appliances.
- 6.This appliance is not intended for use by persons (including children) with reduced physical, sensory, mental capabilities, lack of experience and knowledge.
- 7.To reduce risk of fire and to properly exhaust air and to ensure to duct air outside. Do not vent exhaust air into spaces within walls, ceilings, into attics and crawl spaces.

#### Installation

1. This appliance must be installed or repaired by a qualified technician only.
2. Do not modify any part of this appliance by yourself.
3. To ensure the location in which this appliance is installed has good and permanent ventilation.
4. In ducted mode, there must be one or more permanent air inlet. The air collected must not be discharged into a duct used to blow off smoke from other appliances fed with electricity.
5. The distance between the bench to the lower part of the hood must not be less than 60cm.
6. Use an electrical connector with earth that is correct for your location.
7. To check the voltage in your area correspond to the appliance as indicated on the rating label.
8. Do not connect the hood to a duct that carries combustion fumes (e.g. fireplace).



#### **Intended For Household Use**

- 1.This product is designed for household use only and should never be used for commercial applications.
- 2.After use, always ensure that all controls are in the "OFF" position.
- 3.When frying with a gas flame, take particular care not to allow the oil or grease in the pan to catch fire.

## **Cleaning, Maintenance & Service**

It is very important to clean and maintain the grease filters regularly (at least once monthly) to improve its efficiency in eliminating heat and contaminated air in the kitchen. Heavy oil deposits is a fire hazard. Hood surface should be cleaned with soft cloth and non-corrosive detergent.

**Important:** Never attempt to repair this appliance by yourself. Always refer to qualified Service Technicians. For safety precaution, always purchase the original replacement parts.

Always switch off the power and unplug the connection before conducting maintenance or cleaning.

## **Electrical Cord**

- 1.To ensure the electrical cord is not exposed to heat, chemical or sharp objects.
- 2.If the electrical cord is damaged, it must be replaced by the manufacturer or its service agent or qualified electrician.

## **2. Hood Description**

### **Ducted or Re-circulating mode**

Depending on your requirement, this appliance can be configured to operate in the ducted or re-circulating modes.

**DUCTED MODE:** Fire proof ducting system of 160mm or 180mm diameter vent the fumes through a suitable outlet. In the ducted mode, only the aluminum grease filters are installed.

**RECIRCULATING MODE:** Fumes are filtered for grease and odour through the aluminum grease filters and the charcoal filters respectively and re-introduced into the kitchen environment. In re-circulating mode, both the aluminum grease filters and the charcoal filters should be installed.

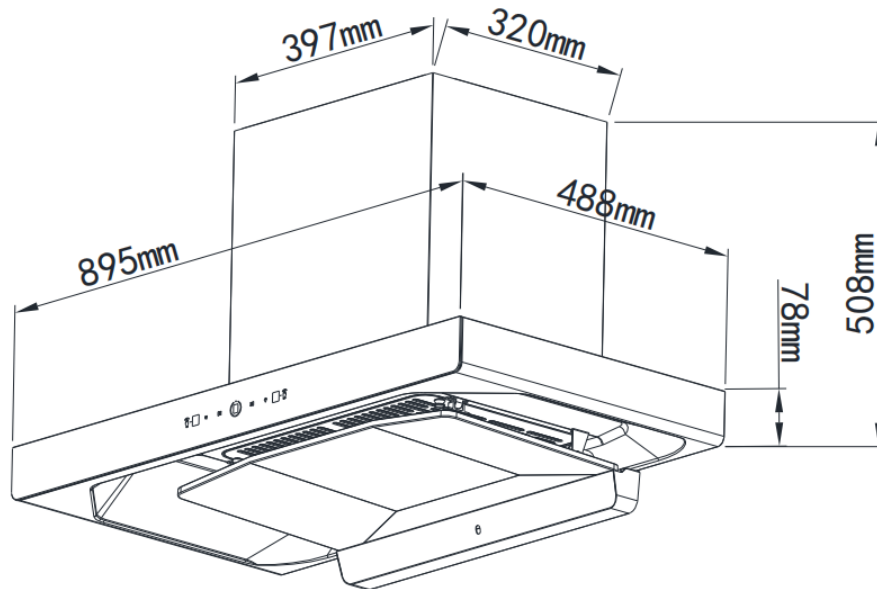
### **Speed Control**

1. The hood is equipped with a 3 or 4 speed mechanical/electronic controls.
2. To use the low speed for simmering, medium speed for light cooking. To use the high speed for frying or heavy cooking.

### 3. Dimension Diagrams

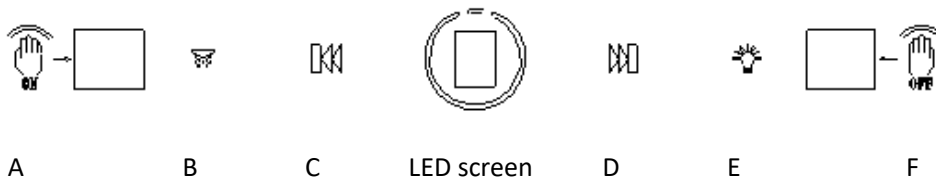
#### 1) T Shape Range Hood

**LCH-METAL-90GM**



### 2. Instructions for use

#### A. Touch control (LCH-METAL-90GM)



Wave A, Within 10-15cm distance from the switch, wave once from left to right to turn on power (LED screen shows "1"). Wave to the right, the fan runs at mid speed (LED screen shows "2"). Wave to the right again, the fan runs at high speed (LED Screen shows "3"). "Repeat this cycle"

Press B, oil removing function will operate for 9 minutes. Press again, turn off oil removing function. The fan will automatically operate at high speed for 1 minute after the 9 minutes cleaning function.

Press C once, When the fan is working at low speed (LED screen shows "1"). Press C once, the fan runs at mid speed (LED screen shows "2"). Press C again, the fan runs at high speed (LED Screen shows "3").

Press LED screen, turn on power. Press it again, turn off power.

In working state, Press C once for 1 minute delay power off).

Press D once, When the fan is working at high speed (LED screen shows "3"). Press D once, the fan runs at mid speed (LED screen shows "2"). Press D again, the fan runs at low speed (LED screen shows "1").

Press E, turn on the light. Press again, turn off the light.

Wave F, Within 10-15cm distance from the switch, wave once from right to left to turn off power.

**CLEANING MODE**

In non-working state, press E for 3 seconds, oil removing function will operate for 10 minutes. The fan will automatically operate at high speed for 1 minute after the 10 minutes cleaning function.

**Cleaning & Maintenance**

ALWAYS SWITCH OFF AND UNPLUG FIRST!

**SURFACES:**

Wash with warm soapy water and a soft sponge. Never use abrasive detergent, scouring pads, steel wool or solvents on any part of this appliance as this will cause irreparable damage.

**ALUMINIUM GREASE FILTERS:**

Wash in the dishwashers or soak the panels in a degreasing agent for an hour, then rinse off and dry before re-installing.

**CHARCOAL FILTERS:(optional and not included in package)**

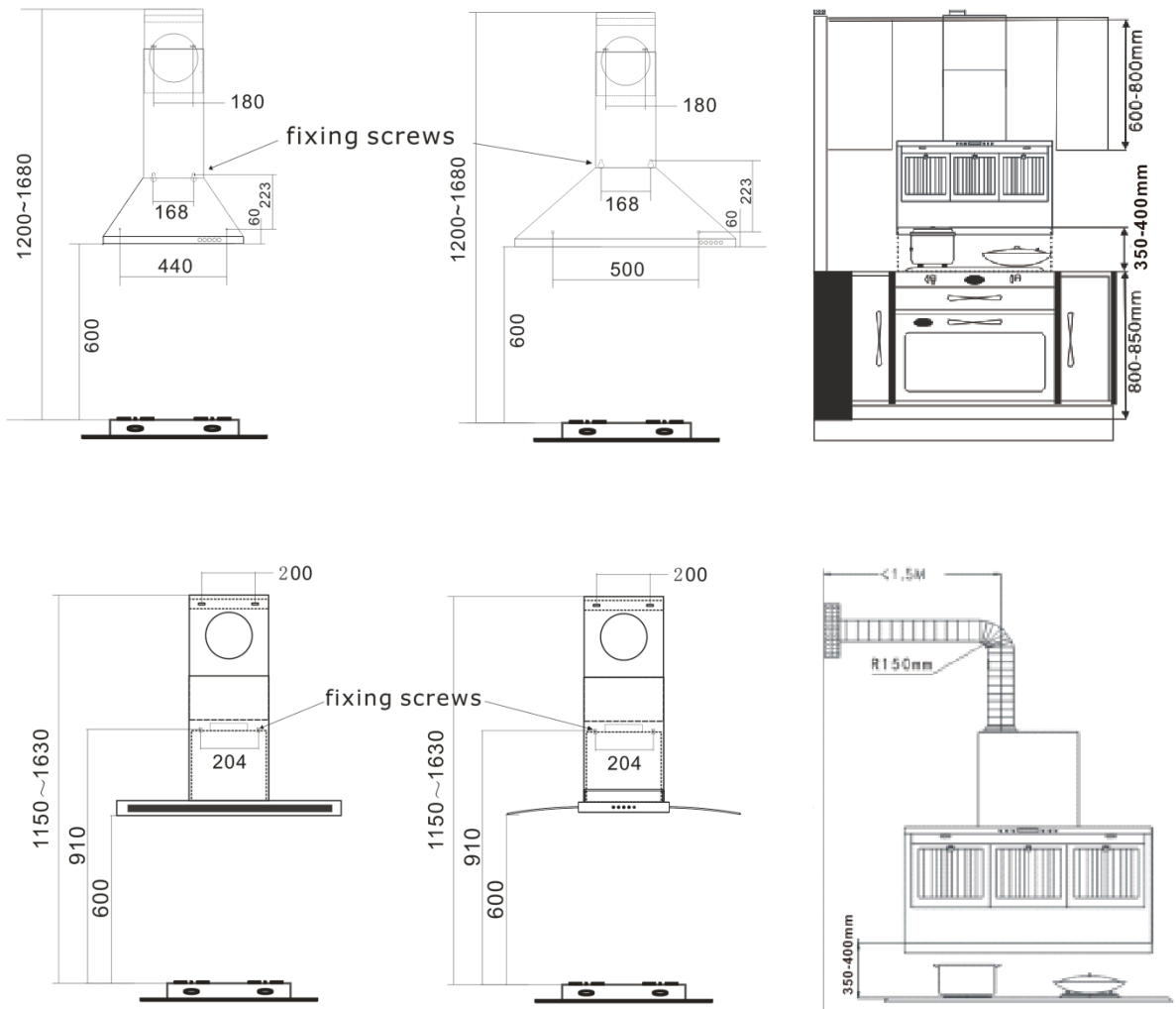
(only in re-circulating model): Charcoal cannot be reused. They must be replaced with the appropriate types once a year or depending on the frequency of appliance usage.

For this appliance to function effectively, regular maintenance is a must.

Clogged filters restrict airflow and may cause the motor to overheat.

## 5. Installation

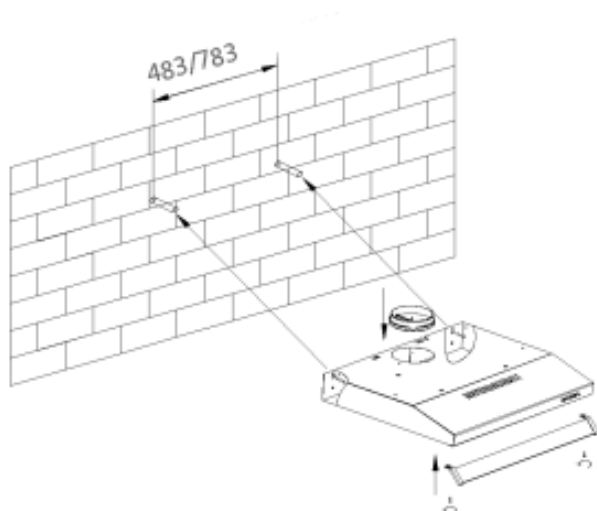
1. Use suitable bolts to mount the appliance on a secure surface.
2. The minimum distance between the supporting surface for the cooking vessels on the hob and the lowest part of the range hood. When the range hood is located above a gas appliance, this distance shall be at least 65 cm. If the instructions for installation for the gas hob specify a greater distance, this has to be taken into consideration.
3. The location of the installation must have permanent openings for ventilation.
4. Regulations concerning the discharge of air have to be fulfilled.
5. It is strongly recommended that the hood to be installed right over the exhaust air from cooking.
6. Do not install the outlet of the pipe in the wind direction, which can prevent the exhaust air from flowing backward.
7. To fasten the components for the exhaust outlet with screws. To ensure good ejection of exhaust air, the pipe must not be bended for too many times.



## **Slim model**

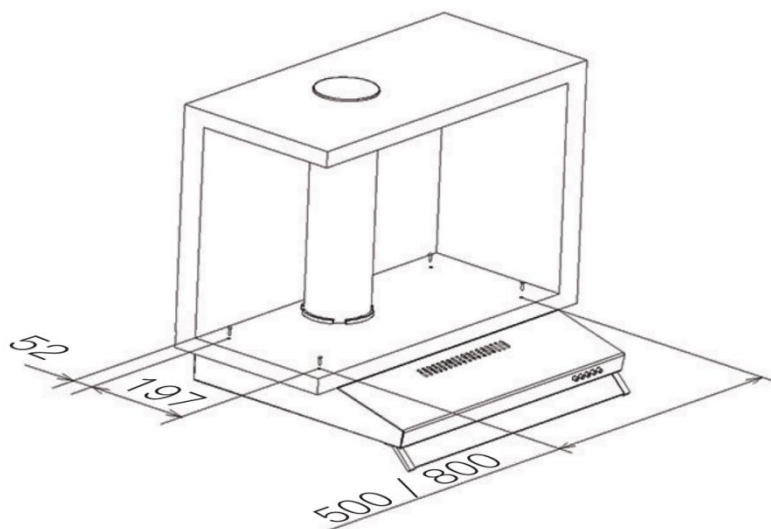
### **Step 1:**

1. To install onto the wall drill 2 holes of  $\text{Ø}8\text{mm}$  on a suitable place according with the centre distance of hole in the back of the cooker hood.
2. To insert the nut into the holes.
3. To insert the screws into the nuts and tight. Put the cooker hood onto the tighten screws.
4. To fix the cooker hood with safety screw. The two safety vents are positioned on the back casing, with diameter of 6mm.
5. To put the one-way valve onto the cooker hood.



### **Step 2:**

1. To drill 4 holes of 6mm diameter at the bottom of the hanging cupboard.
2. To put the one-way valve on the cooker hood, then install the cooker hood on the bottom of the cupboard, tighten the hood with enclosed 4 screws.
3. To install the adjusted board on the bottom of the hood in order to keep out the gap between hood rear and cupboard.



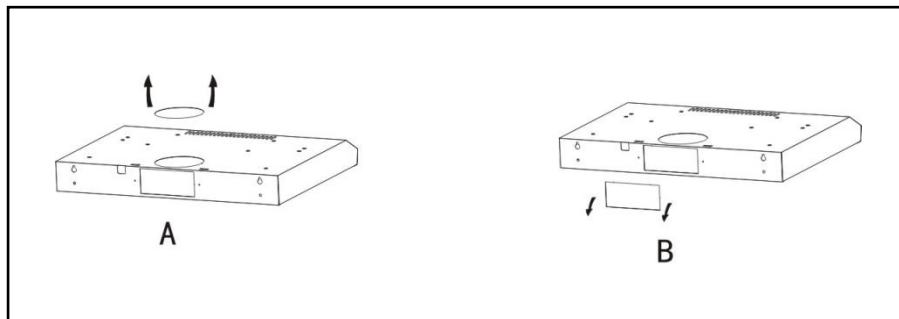
**Notes:**

1. The extended pipe is an optional accessory, not included.
2. To take off the protection film before installation.
3. There are 2 methods for ventilation, 'horizontal ventilation' and 'vertical ventilation'. Please pay attention to the ventilation method during installation.

**Vertical ventilation:** See Pic A, please use tool to remove the round cover before installing, the air can be vented from top.

**Horizontal ventilation:** See Pic B, please use tool to remove the round cover before installing, the air can be vented from back.

4. The square air outlet for horizontal ventilation is not supplied.





## FOR THE INSTALLER

### 6. Safety Information

1. Electrical connection must be in accordance with the local standards and laws.
2. To ensure that the electrical supply is in compliance with the appliance setting, otherwise, do not connect.
3. To ensure the power supply cord is free from any heat source or sharp objects.
4. The electrical connection of this appliance must be soundly earthed. In the event of electrical short circuit, grounding reduces the risk of electrical shock. If unsure, contact a qualified electrician.
5. Replacement of lamp must not exceed 20W.
6. LED lamp must not exceed 1.5W/7W.



Wire Color Codes:

Green & Yellow = EARTH

Blue = NEUTRAL

Brown = LIVE

## 7. Trouble shooting

Problems	Possible Cause	Action
Not function	No power supply	Check that the main switch is turned on
		Check that the plug is connected
Poor airflow	Aluminum grease filters clogged	Clean the filters and replace when dry
	Charcoal grease filters clogged	Replace charcoal filters with new sets
Motor running but no airflow	Butterfly valve jammed	Contact technician
Motor cuts after a few minutes	High temperature safety device activated	The kitchen is not sufficiently ventilated
	The hood is installed too near the cooking stove	The hood must be at least 65cm from stove
Strong cooking smell	Charcoal filters are not installed	Charcoal filters must be installed in re-circulating mode
Oil dripping onto stove	Oil cup missing or not installed	Remove aluminum filter and replace oil cup
	aluminum grease filter saturated	Wash the aluminum grease filters
Whirring sound	Foreign object in contact with fan blade	Contact technician

**LIVINOX Malaysia Sdn Bhd**  
Blok B-1-29, Dataran Cascades  
NO.13A, Jalan PJU5, Kota Damansara  
47810 Petaling Jaya, Selangor.

Careline  
603-76116192

