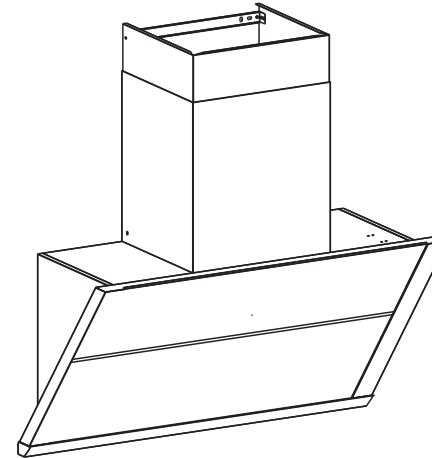


LIVINOX[®]

COOKER HOOD

MODEL: LCH-PEARL-90B

LCH-OPAL-90W



LIVINOX[®]

DISTRIBUTED BY.

LIVINOX Malaysia Sdn Bhd

Blok B-1-29 Dataran Cascades NO. 13A,

Jalan PJU 5 Kota Damansara,

47810 Petaling Jaya, Selangor.

Owner's Manual

Please read this manual carefully before operating your set.

Retain it for future reference.

Record model number and serial number of the set.

See the label attached on the set and quote this information to your dealer.

For The Warranty Terms & Conditions, Please Refer To Warranty Certificate

**Product image is for illustration purpose only. Actual product may vary depending on the model.*

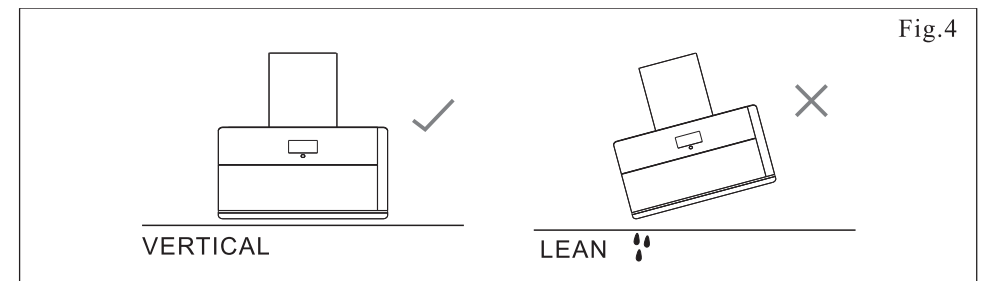
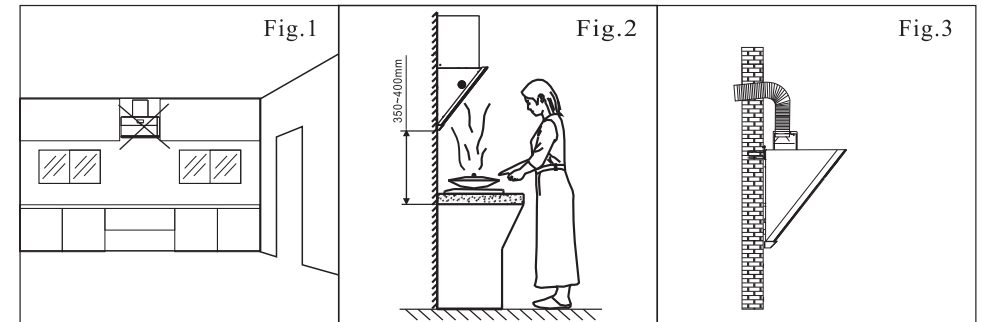
Please read this instruction carefully. It is advisable to keep this instruction manual in a safe place for future reference.

SAFETY PRECAUTIONS

1. Keep electrical appliances out of reach from children. Do not let them to operate the appliances without supervision.
2. To protect against the risk of electrical shock, do not immerse the product, cord or plug into water or any other liquid.
3. This product is for household and indoor use only.
4. This product is not intended for use by person (including children) with reduced physical, sensory or mental capabilities unless they have been given supervision or instruction concerning use of the appliance by a person responsible for their safety.
5. If the power cord or plug has damaged, it must be replaced by the service centre or a qualified service technician to avoid hazard.
6. Before installation, check if the mains supply voltage is matched with the voltage stated on the rating plate of the hood.
7. There must be adequate air ventilation of the room when the cooker hood is used with the cooking appliances with burning gas or other fuels.
8. Ensure that the installation of ducting complies with the standard of local building, gas and electrical authorities.
9. Do not ignite flames in the pans.
10. There is a risk of fire if cleaning is not carried out in accordance with this instruction.

INSTALLATION REQUIREMENT

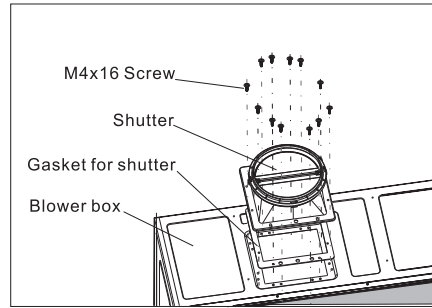
1. Do not install the cooker hood where there are many doors or windows in order to avoid affecting the exhaust efficiency of the cooker hood caused by air convection. (Fig. 1)
2. Install the cooker hood right above the hob. The recommended distance between the hob and the lower edge of the cooker hood is minimum 350mm and maximum 400mm. (Fig 2)
3. In order to get the optimum performance, do not elongate the exhaust pipe too long, and try to make the bend of the exhaust pipe less and biggest, ensure the connection is airtight. (Fig. 3)
4. After hanging the unit on the wall, ensure the hood is level and vertical (Fig. 4).
5. The air outlet must not be connected to chimney flues or combustion gas ducts. The air outlet must under no circumstances be connected to ventilation ducts for room in which fuel-burning appliances are installed.
6. The installation of the exhaust duct is optional when the charcoal filter is installed for recirculation purpose. Installation of the charcoal filter will gradually reduce the suction power and reduced the suction performance of the unit.



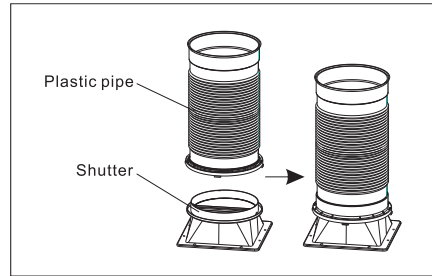
ASSEMBLY INSTRUCTIONS

Please check the following before installation:

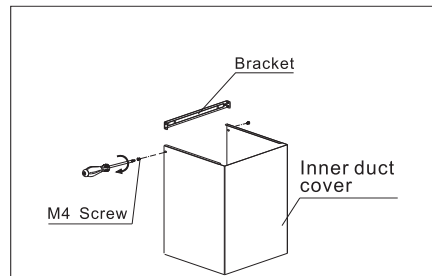
- Installation of hood must be carried out by an authorized or qualified technician.
- The inside of the hood may have sharp edges. Before installing, removing or cleaning, please wear protective gloves to avoid injury.



Step 1:
Take down all M4x16 screws from shutter, put the shutter on gasket for shutter and overlap the screws holes of the shutter and gasket for shutter. Use all M4x16 screws to install the shutter and gasket for shutter to the hood.

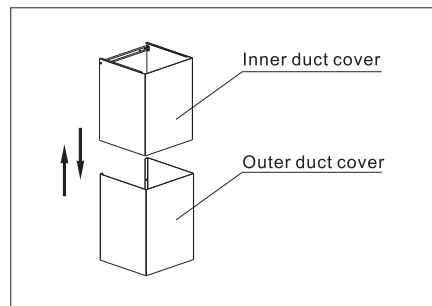


Step 2:
Put the exhaust pipe to the shutter as picture showed. Rotate in direction of arrow. Make sure the exhaust pipe is fixed and can not be moved.

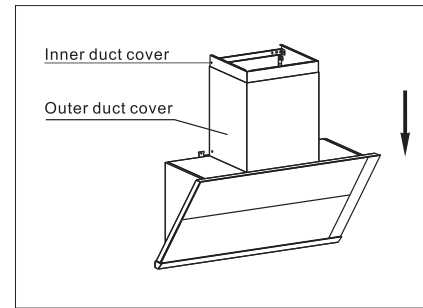


Matching the bracket to the holes of the inner duct cover and fix it well with M4

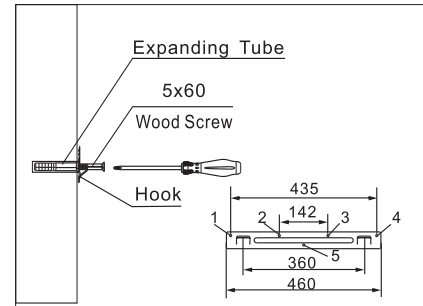
Step 3:
Matching the bracket to the holes of the Outer duct cover and fix it well with M4 screws:



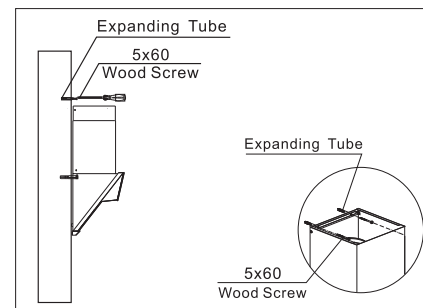
Step 4:
Insert the inner duct cover into the outer duct cover.



Step 5:
Matching the holes of outer duct cover and blower box, fix the outer duct cover to the blower box using 8pcs of M4 × 10 screws provided with the fixing tool. As the direction of illustrated.

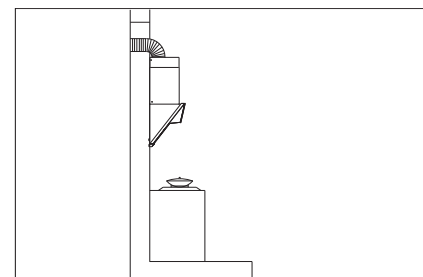


Step 6:
Drill holes in the wall using a 8mm drill bit. Use five screws to fit the hook on the wall in the screw holes like 1,2,3,4,5. Then put the hood to the hook make sure the hood is fixed and can not be moved!



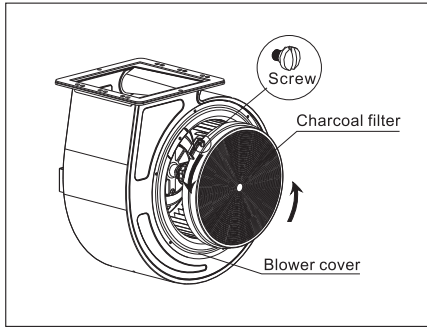
Step 7:

1. Draw the inner duct cover up to a suitable high, mark two keyhole of the outer duct cover bracket on the wall with pen .
2. Put down the inner duct cover gently, drill the keyholes in 75-85mm depth on the horizontal level using 8mm drill.
3. Press the expanding tube provided into the holes.
4. Matching the inner duct cover with the holes, tighten the inner duct cover with two 5x60 wood screws provided.



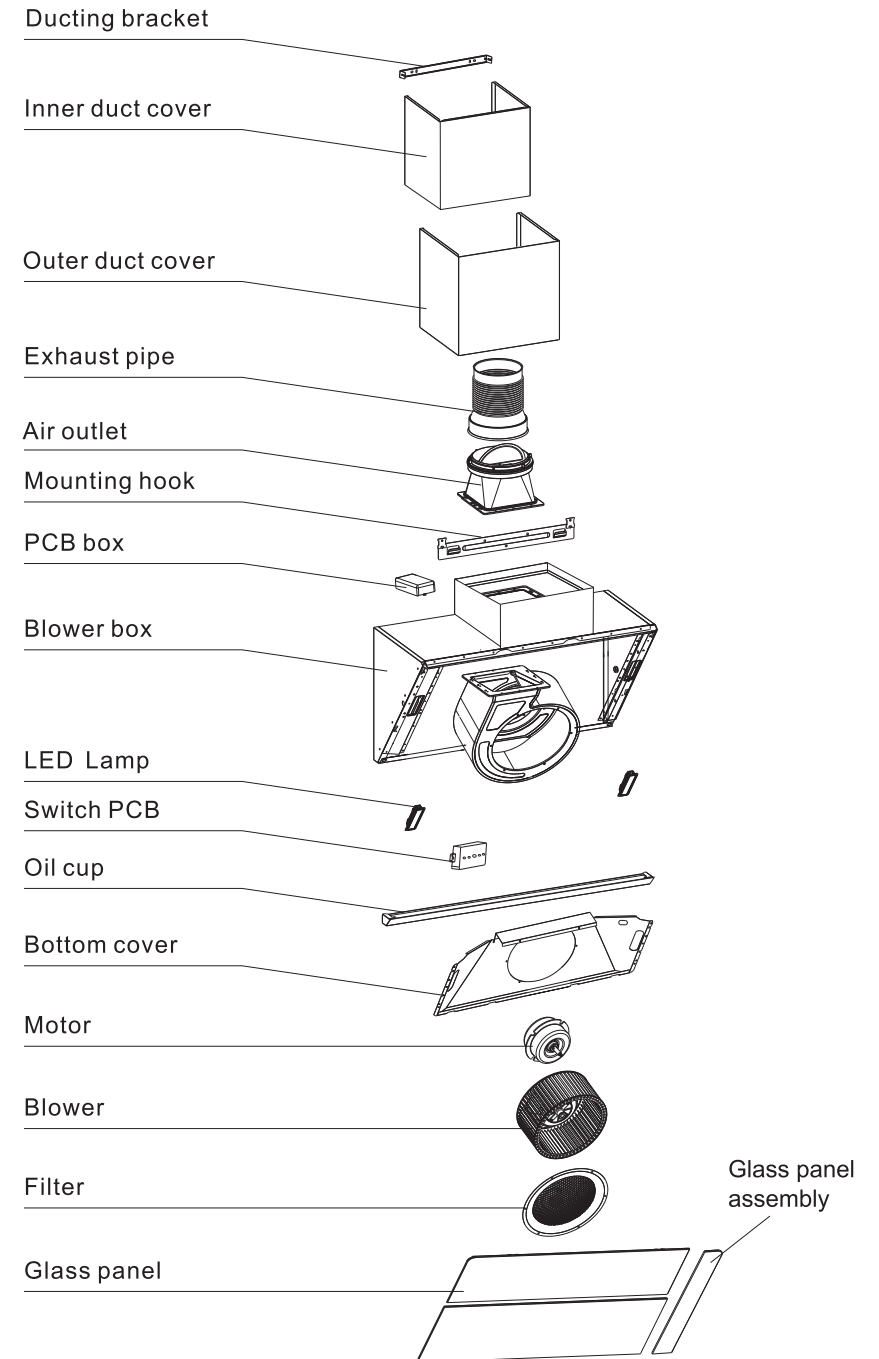
Step 8:
Extend the air outlet of the exhaust pipe out-of-door. Try to make the bend of the exhaust pipe more than 120° .

CHAR COAL FILTER INSTALLATION



If there is charcoal filter need to be installed matching the charcoal filter to the blower cover and rotate charcoal filter toward the direction of arrow.

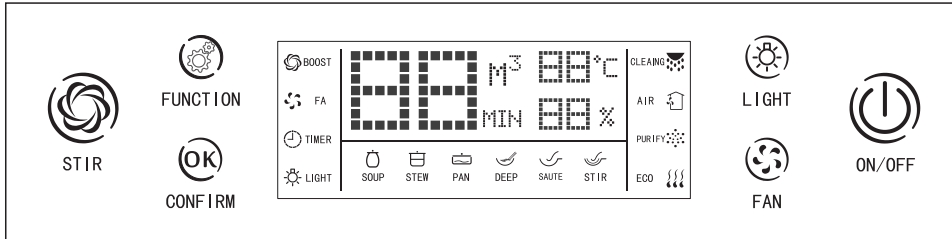
PRODUCT DESCRIPTION







OPERATING INSTRUCTIONS



How to use soft touch control(LCH-PEARL-90B)

A. Switch distribution sketch



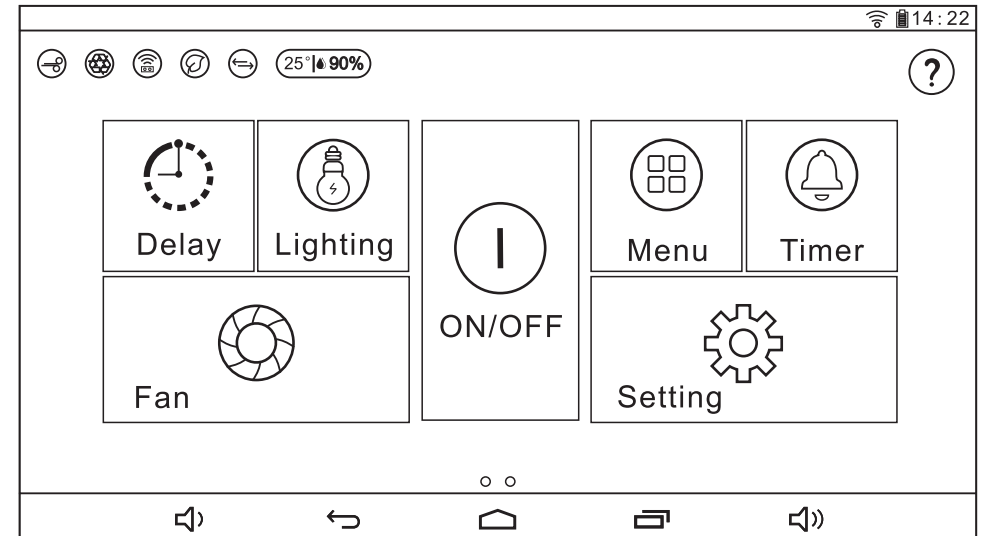
B. Operating instructions

 ON/OFF	<p>In the shutdown state, touch the key, the key indicator light, the whole machine into standby state; and then touch the key, the machine shut down; (standby state is not open the motor and any auxiliary function of the state)</p> <p>In working condition, touch the key, enter the delay shutdown state, 3 minutes without operation, the machine shut down.</p> <p>In the delayed state, touch the key, the machine shut down.</p>
 LIGHT	<p>In the energized state, touch the key, this key indicator lights, lights working; touch this button once, the key indicator lights off, lights stop work.</p>
 FAN	<p>In standby mode, touch the key, switch the motor speed, the screen corresponding to light.</p> <p>In the delayed state, press this button for 2 seconds, turn off the motor and exit the delay.</p>
 FUNCTION	<p>In the standby state or working condition, touch this button, icon is selected in the screen air purification, pressurization, flashing cycle in the flashing icon, touch [OK] button, start the corresponding function, and then touch [OK] button, cancel the corresponding function.</p> <p>A.Heat/ Cleaning : chose heating function , automatic opening function of heating , function is completed automatically closed.</p> <p>B.Air: choose air function, at the end of cooker hood off, the motor start timing. Run at low speed for 10 minutes every two hours. Use the power button to shut down, the function automatically exit.</p> <p>C. Purify: choose purify function, machine control anion generator, produce anion. This feature can be automatically stored in the power button shutdown.</p> <p>D. Pressurization: choose this function, according to the current state of machine, automatically determine whether the need to boost. This feature can be automatically stored in the power button shutdown.</p>





 CONFIRM	<p>In [function] key to select the function icon, touch this key, the function is selected in the open and close switch between.</p>
 STIR	<p>In the motor running, touch this key once, the motor is running at a high speed, touch this key again after 1 minutes, it will automatically return to the original operation.</p> <p>In the standby state, touch the key once, the motor running at a high speed, 1 minutes later or touch the key again, the motor returns to high-speed operation.</p>


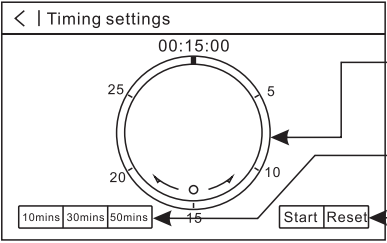



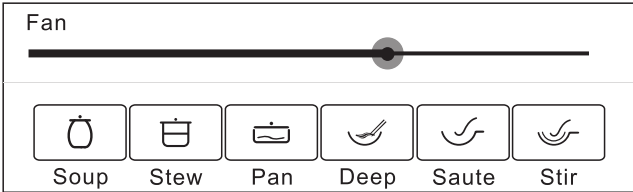
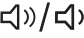



How to use soft touch control(LCH-OPAL-90W)

A. Switch distribution sketch








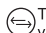










B. Buttons Instruction

 Function reminder	<p>When the function icon shining, it means the function is operating.</p>
 Help	<p>In standby mode, click this button to check the hood operation instruction.</p>
 ON/OFF	<p>Touch this button to turn off light and fan</p>
 Menu	<p>In standby mode: click on this button or slide on the screen to the left to enter the menu interface.</p>

 <p>Timer</p>	<p>In standby mode, click this button, the following interface will come out on the interface.</p>  <p>Hold on this button, slide clockwise to longer the time; slide counterclockwise to shorten the time. Timing can be set up as you like.</p> <p>10/30/50 minutes setting</p> <p>timing starts/reset setting</p> <p>there is warning tone in end of timing; touch reset to cancel the warning tone.</p>
 <p>Lighting</p>	<p>In standby mode, ON or Off the lighting.</p>
 <p>Delay</p>	<p>When fan or light is working, click this button to set time delay, the default delay time countdown showed beside delay button, the time delay Settings please check the time delay settings instructions on interface.</p>
 <p>Fan</p>	<p>In standby mode, click this button, there are two operation windows in interface, two following operations can be performed.</p>  <ol style="list-style-type: none"> Slide the black bar to control the fan. Power selection is made according to user's actual cooking situation air power is based on below selection button
 <p>Volume</p>	<p>Increase/decrease the volume</p>
 <p>Return</p>	<p>Click this button, can return to step on</p>
 <p>Home</p>	<p>In any state (in addition to a dormant state), click on this button to immediately enter the operating interface of cooker hood.</p>
 <p>Management</p>	<p>Click this button to open all software directory performing in the background. hold down the directory software upward sliding it, the software can be closed.</p>

C. Control interface setting

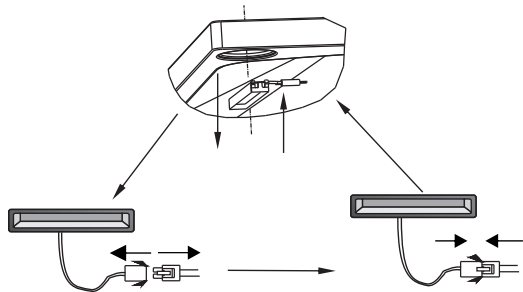
	
<p>Default settings</p>	
 Fan settings >	<p>Default fan power settings</p>
 Turn off on time > <input type="checkbox"/>	<p>Set a regular shutdown time</p>
 Set the time delay > <input type="checkbox"/>	<p>Set a time delay shutdown</p>
<p>Function settings</p>	
 Smoke induction <input type="checkbox"/>	
 Smoke purification <input type="checkbox"/>	<p>The model does not have this function, can't operate.</p>
 Air purification <input type="checkbox"/>	
 Timing for air ventilation > <input type="checkbox"/>	<p>Click to open the setting interface, set the plan time, the time interval of the fan operation and fan operation time. Click again to set cycle period, After setting, it can be saved automatically.</p>
 Temperature humidity > <input type="checkbox"/>	
 Link > <input type="checkbox"/>	<p>The model does not have this function, can't operate</p>
 Automatic cleaning > <input type="checkbox"/>	
 Movable baffle >	<p>Click to open the following setting interface, click the switch can control the baffle opening and closing</p>
 Bound phone	<p>Click to show the QR code to bind the mobile with hood.</p>  <p>Mobile client download the QR code</p>  <p>Bound the QR code of phone</p>
<p>Interface Settings</p>	
 Change the background	<p>Setting the background image on interface</p>
<p>Version 1.0.1.3</p>	<p>Click to update the version</p>

REPLACING THE LED LAMP

Caution: Lamp unit might be hot after cooking. Wait until it is cool before carrying out repair and replacement. Always use the same type of light bulb.

Make sure all control switches are turned off and the cooker hood is unplugged from the electrical mains. Follow below instruction to carry out replacement:

1. Use a flat head screwdriver to pop out the lamp subassembly.
2. Disconnect the lamp from the internal wires.
3. Remove the screws using cross head screwdriver.
4. Remove the lamp cover and take out the lamp bulb.
5. Replace with a new 2W lamp bulb and make sure the bulb is connected into the light socket.
6. Replace the lamp cover and fix it gently with screws.
7. Connect the lamp subassembly with internal wires and push the lamp into the hood.



MAIN SPECIFICATION

Voltage/Frequency : 220V~240V/50Hz

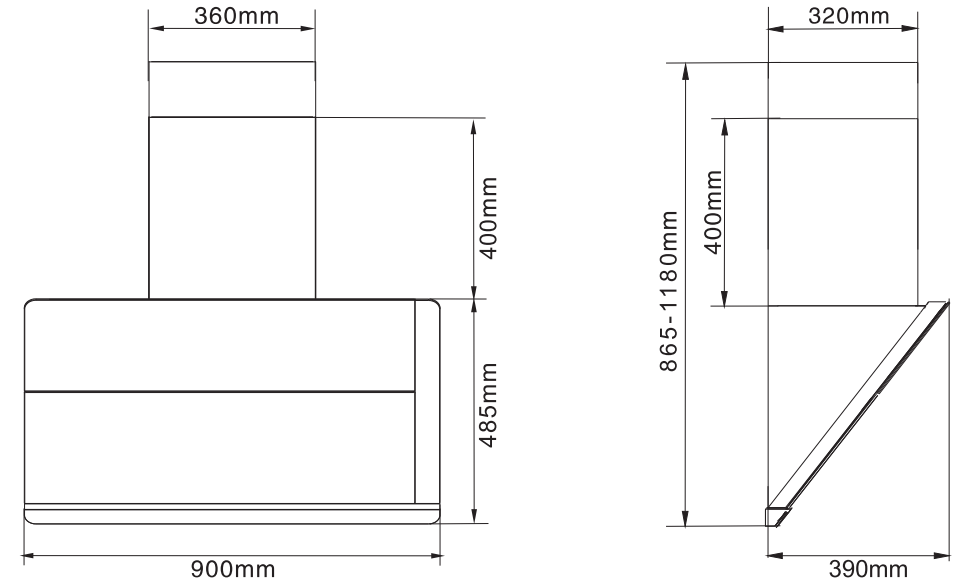
LED Light : 2 x 2W

Suction Power : 1,600m³/hr

Motor Power : 250W

Heating Power : 50W

Product Dimension:



CLEANING AND MAINTENANCE

- The hood must always be disconnected from the electricity supply before carrying out the maintenance.
- Clean the hood with damp cloth, hot water and mild detergent. Do not use chemical, steel, wooden or abrasive cleaners to clean the hood.
- Clean the oil cups when they are more than half filled to avoid the oil from spilling.
- Remove the filter, wash in hot soapy water, dry and fit back into the hood. Do not use the hood without the filter installed.

NOTICE

This product must not be disposed together with domestic waste. It has to be disposed at an authorized place for recycling of electrical and electronic appliances. By collecting and recycling waste, you help to save natural resources and make sure the product is disposed in an environmental friendly and healthy way.

