



VINTEC

Vintec Collection

For the love of wine.

Contents

The Importance of Proper Storage	2
The Vintec Five Pillars of Wine Storage	3
Pillar #1: Stable Temperature	5
Pillar #2: High Humidity	7
Pillar #3: Dark Storage Area	9
Pillar #4: No Vibrations	11
Pillar #5: Quality Airflow	13
Small Wine Cabinets	14
Large Wine Cabinets	18
Dimension and Installation Guide	20
Cellaring and Serving Temperatures	27
Vintec Club Membership	30
Concierge Services	32
OENO by Vintec	33

The Importance of Proper Storage

Preserve & Protect Your Valuable Collection

Vintec is an expert in climate-controlled wine storage solutions. Vintec cabinets are not wine coolers, nor are they wine fridges.

All of our wine cabinets adhere to the Vintec Five Pillars of Wine Storage to keep your wine in perfect conditions during storage.

Maturing or aging wine is as much science as it is an art, and maintaining a consistent temperature is extremely important. Age-worthy wines can improve in flavour as well as value over time, but can be damaged in less than a year if not properly cared for.

By recreating the conditions of the best natural underground wine cellars, the Vintec line of climate-controlled wine cabinets is an elegant solution for preserving and protecting your unique and valuable wine collection.



The Vintec Five Pillars of Wine Storage

How Vintec protects your wine.

Vintec wine cabinets ensure your wines are stored in the ideal cellaring conditions by respecting the Five Pillars of Wine Storage.

1

Stable Temperature

The Vintec climate-control system maintains a very stable temperature thanks to the following:

- Variable speed compressor (VSC), with slow temperature draw-down and adaptive compressor cycles
- Double/triple-glazed glass doors
- Precise temperature control with interaction between VSC compressor, thermostat and evaporator



Temperature fluctuations can denature your wines. In particular, temperatures above 25°C will ruin wine within a couple of weeks and create “spoiled fruit” flavours.

2

High Humidity

Vintec wine cabinets ensure adequate humidity levels are maintained (50% or greater) to keep corks moist and wine in the optimal condition.



Humidity lower than 50% causes corks to dry out and shrink, allowing damaging air into the wine, creating oxidation and “off” odours.

3

3

Dark Storage Area

Our cabinets protect wine from light damage by incorporating:

- UV-resistant tinted and insulated glass doors
- Dark interiors
- Dimmed long-lasting LED lights



All light should be avoided, but UV light in particular as it creates hydrogen sulphide compounds in wine and affects the tannins and color of your wine.

4

No Vibrations

To protect the quality of your wine, our cabinets create a vibration-proof environment by including:

- Low-vibration Variable Speed Compressor (VSC), on rubber shock absorbers to minimize vibration transmission
- Vibration-absorbing wooden shelves with no harmful odours or coatings.



Imperceptible vibrations prematurely deteriorate wine by speeding up chemical reactions and aging.

5

Quality Airflow

Vintec cabinets are equipped with an efficient air circulation system and a powerful air filter to ensure a constant, slow flow of filtered air throughout the cabinet.



Lack of appropriate ventilation and air change makes wine cellars become stale and mouldy.

Vintec Pillar #1: Stable Temperature



How do temperature fluctuations impact your wine?

Temperature fluctuations are the worst enemy of wine – they denature and prematurely age your wines.

Constant temperature is critical to maintaining flavours and aromas, so wines can be enjoyed as the winemaker intended. Stable temperature is also key to enabling quality wines to mature steadily, so they can develop their full depth of flavour.

THE VINTEC SOLUTION

Temperature fluctuations can denature your wines. Most wine cabinets have compressors that run periodically causing temperature fluctuations, but Vintec cabinets have an efficient, variable-speed compressor that runs consistently to maintain the precise temperature you set.

Without Proper Storage

Dry and crumbly corks

Oxidized wines (off-odours and vinegary flavors)

May cause evaporation and leakage

Vintec Wine Cabinets

Preserve integrity of corks

No oxidation

Wine remains fresh and fruity for longer



Vintec Pillar #2: Humidity Above 50%



How does HUMIDITY impact your wine?

Low humidity causes corks to dry out and shrink, allowing damaging air into the wine, which in turn creates oxidation and off-odours, and cause wines to lose their fresh and fruity flavours.

High humidity can cause label damage and encourage mould to develop if ventilation is insufficient.

THE VINTEC SOLUTION

Humidity levels above 50% are important to maintain the integrity of corks and prevent oxidation of your wine.

Vintec cabinets maintain optimal humidity for wine cellaring by retaining ambient moisture inside the wine cabinet to preserve corks while proper airflow prevents mould growth.

Without Proper Storage

Red wines become paler

White wines take a
golden-yellow colour

Prematurely ages wines

Vintec Wine Cabinets

Preserve colour of the wine

Allow the wine to age
naturally

Wines remain fresh and
fruity for longer



Vintec Pillar #3: Dark Storage



How does LIGHT impact your wine?

Light can rapidly affect taste and colour of wine. UV light is particularly damaging: it creates hydrogen sulphide compounds in wine and affects the tannins and the colour of your wine.

The consequences of light damage are most visible to the eye: pale red wines, and white wines that take on a golden-yellow colour.

THE VINTEC SOLUTION

Vintec climate-controlled wine cabinets protect wine from light damage by incorporating UV-resistant tinted and insulated glass doors, dark interiors and UV-free LED lighting.

The image features two wine glasses filled with red wine, set against a grey brick wall background. A vertical gold line separates the two glasses. The glass on the left contains wine with a dark, cloudy sediment at the bottom, while the glass on the right contains clear, vibrant red wine. The lighting is dramatic, highlighting the textures of the wine and the brick wall.

Without Proper Storage

Wine deteriorates
prematurely

Increased
sedimentation

Wine disjointed and
tarnished

Vintec Wine Cabinets

Preserve colours,
aroma and flavours
for longer

Allow the wine to
age naturally

Vintec Pillar #4: No Vibration



How do VIBRATIONS impact your wine?

Vibrations prematurely deteriorate wine by speeding up chemical reactions and aging.

The wine is imperceptibly “shaken up” and sediments are disturbed leading to increased reactions between the different components of the wine, which in turn creates undesirable compounds, leaving the wine disjointed and tarnished.

THE VINTEC SOLUTION

To protect the quality of your wine, our wine cabinets create a vibration-proof environment through the use of vibration-absorbing white oak shelves, rubber shock absorbers and a low vibration, variable-speed compressor.

Without Proper Storage

Favours development of
mould on labels

Wine may be affected by
external odours



Vintec Wine Cabinets

Preserve integrity of
labels and corks

Keep wines protected
against external odours

Maintain freshness inside
the wine cabinet

Vintec Pillar #5: Optimised Airflow



How does AIRFLOW impact your wine?

Lack of appropriate ventilation and air change makes wine cellars become stale and mouldy.

While natural corks very adequately keep the wine in the bottle, they do not prevent odours from penetrating. Food odours in particular present problems, especially in a kitchen environment where wines will almost certainly be affected by ambient food smells.

THE VINTEC SOLUTION

Vintec wine cabinets are equipped with internal and external fans to keep constant and reticulated air flow in the cabinet, helping to stabilize temperature and limit mould from settling.

The Vintec Air filter reacts with any contaminants, binding them to its surface thereby filtering them from the incoming air which limits stale odours from developing in your wine cabinet.

Small Wine Cabinets



VWSO2OSBA-X

20 Bottles

820mm (H) x 295mm (W) x 561mm (D)

NOIR Series

Single Temperature Zone: 6 - 18°C

Door: Triple Glazed, UV treated

Display Panel: LED Digital Display

Small Wine Cabinets



VWSO35SCA-X

35 Bottles

840mm (H) x 493mm (W) x 588mm (D)

Classic Series

Single Temperature Zone: 6 - 18°C

Door: Triple Glazed, UV treated

Display Panel: LED Digital Display

Free Standing



VWSO35SBA-X

35 Bottles

840mm (H) x 493mm (W) x 588mm (D)

NOIR Series

Single Temperature Zone: 6 - 18°C

Door: Triple Glazed, UV treated

Display Panel: LED Digital Display

Free Standing

Small Wine Cabinets



VWSO48SCA-X

48 Bottles

875mm (H) x 605mm (W) x 602mm (D)

Classic Series

Single Temperature Zone: 5 - 18°C

Door: Triple Glazed, UV treated

Display Panel: LED Digital Display

Free Standing / Under-Counter



VWSO50SAA-X

50 Bottles

820mm (H) x 595mm (W) x 573mm (D)

Allure Series

Single Temperature Zone: 6 - 18°C

Door: Triple Glazed, UV treated

Display Panel: LED Digital Display

Free Standing / Under-Counter

Small Wine Cabinets



VWS050SBA-X

50 Bottles

820mm (H) x 595mm (W) x 561mm (D)

NOIR Series

Dual Temperature Zone: 6 - 18°C

Door: Triple Glazed, UV treated

Display Panel: LED Digital Display

Free Standing / Under-Counter



VWD050SBA-X

44 Bottles

820mm (H) x 595mm (W) x 561mm (D)

NOIR Series

Dual Temperature Zone:

6 - 12degrees, 12 - 18°C

Door: Triple Glazed,

UV treated 72.89" x 23.44" x 24"

Display Panel: LED Digital Display

Free Standing / Under-Counter

Large Wine Cabinets



V120SG

90 Bottles

1550mm (H) x 595mm (W) x 595mm (D)

Classic Series

Single Temperature Zone: 6 - 16°C

Door: Double Glazed, UV treated

LED: Crystal White LED light



V160SG

120 Bottles

1850mm (H) x 595mm (W) x 595mm (D)

Classic Series

Single Temperature Zone: 6 - 16°C

Door: Double Glazed, UV treated

LED: Crystal White LED light

Large Wine Cabinets



VWM155SAA-X

155 Bottles
1850mm (H) x 595mm (W) x 595mm (D)

Allure Series
Multi Temperature Zone: 5 – 22°C
Door: Double Glazed, UV treated
Display Panel: LED Digital Display



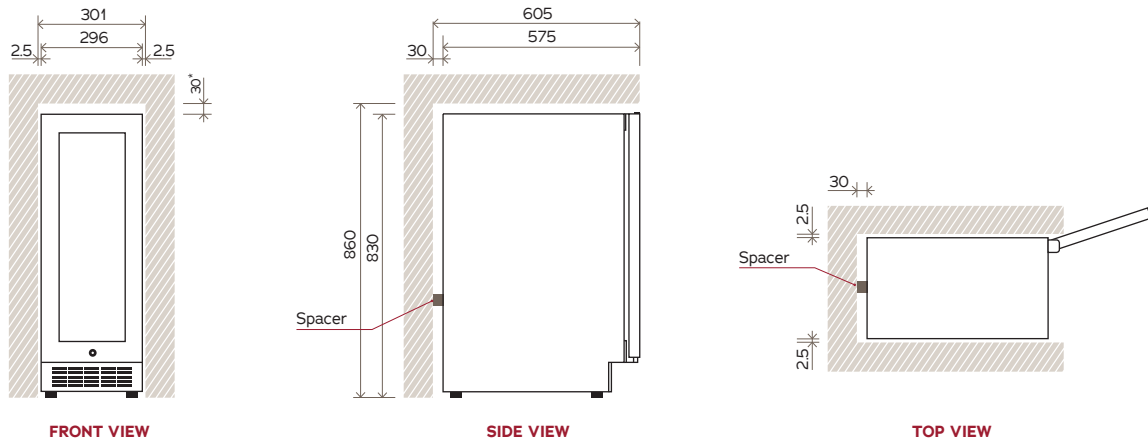
V190SG2EBK

155 Bottles
1850mm (H) x 595mm (W) x 595mm (D)

NOIR Series
Multi Temperature Zone: 5 - 22°C
Door: Double Glazed, UV treated
Display Panel: LED Digital Display

Dimension and Installation Guide

Small Wine Cabinets: VWS020SBA-X



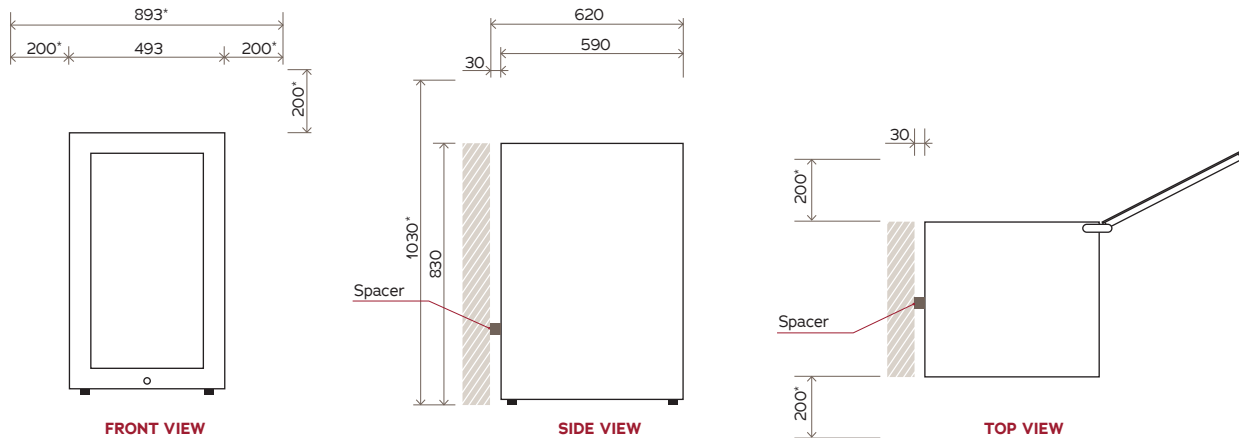
NOTE: Illustrations not to scale. All dimensions in millimetres.

* Minimum 10mm required whether proud-fit or flush-fit, however 30mm is recommended on the opening edge for easy finger grip access when installed flush-fit. For complete installation instructions, please refer to the user manual for this product.

© 2021 Electrolux SEA Pte Ltd VDIM_VWS020SBA_VBS020SBA_InstGuide

Dimension and Installation Guide

Small Wine Cabinets: VWS035SCA-X / VWS035SBA-X



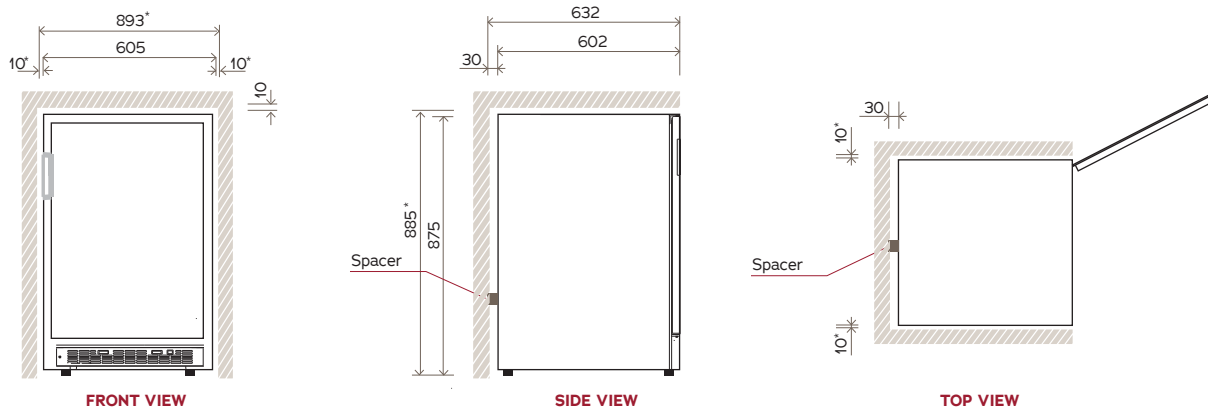
NOTE: Illustrations not to scale. All dimensions in millimetres.

* VWS035 models are intended to be freestanding only. At least 200mm of space is required above and beside the cabinet as shown. For complete installation instructions, please refer to the user manual for this product.

© 2021 Electrolux SEA Pte Ltd VDIM_VWS035_InstGuide

Dimension and Installation Guide

Small Wine Cabinets: VWSO48SCA-X

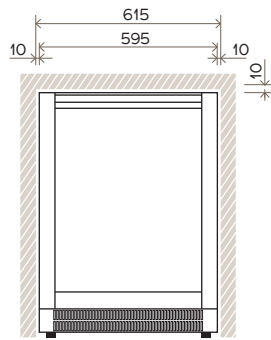


NOTE: Illustrations not to scale. All dimensions in millimetres.

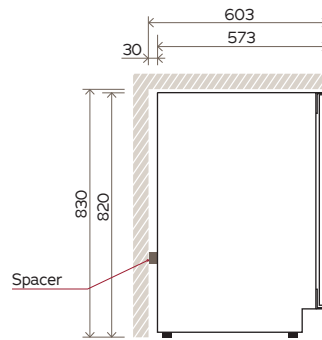
* Minimum 10mm required whether proud-fit or flush-fit, however 30mm is recommended on the opening edge for easy finger grip access when installed flush-fit. For complete installation instructions, please refer to the user manual for this product.
© 2021 Electrolux SEA Pte Ltd VDIM_VWSO48SCA_DimSheet

Dimension and Installation Guide

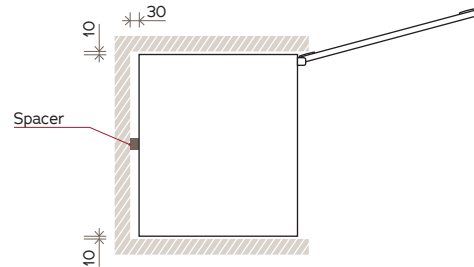
Small Wine Cabinets: VWS05OSAA-X



FRONT VIEW



SIDE VIEW



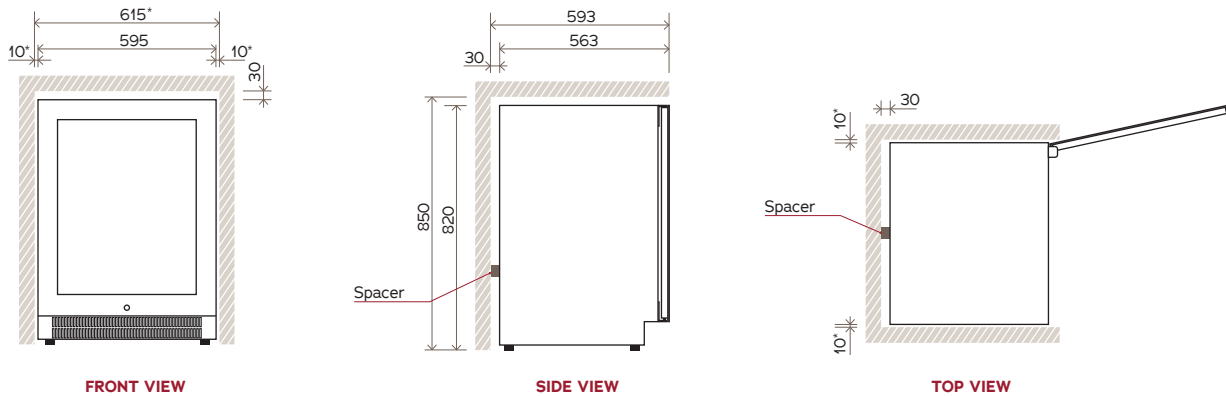
TOP VIEW

NOTE: Illustrations not to scale. All dimensions in millimetres.

* For complete installation instructions, please refer to the user manual for this product.
© 2021 Electrolux SEA Pte Ltd VDIM_VWS05OSAA_DimSheet

Dimension and Installation Guide

Small Wine Cabinets: VWS05OSBA-X / VWD05OSBA-X

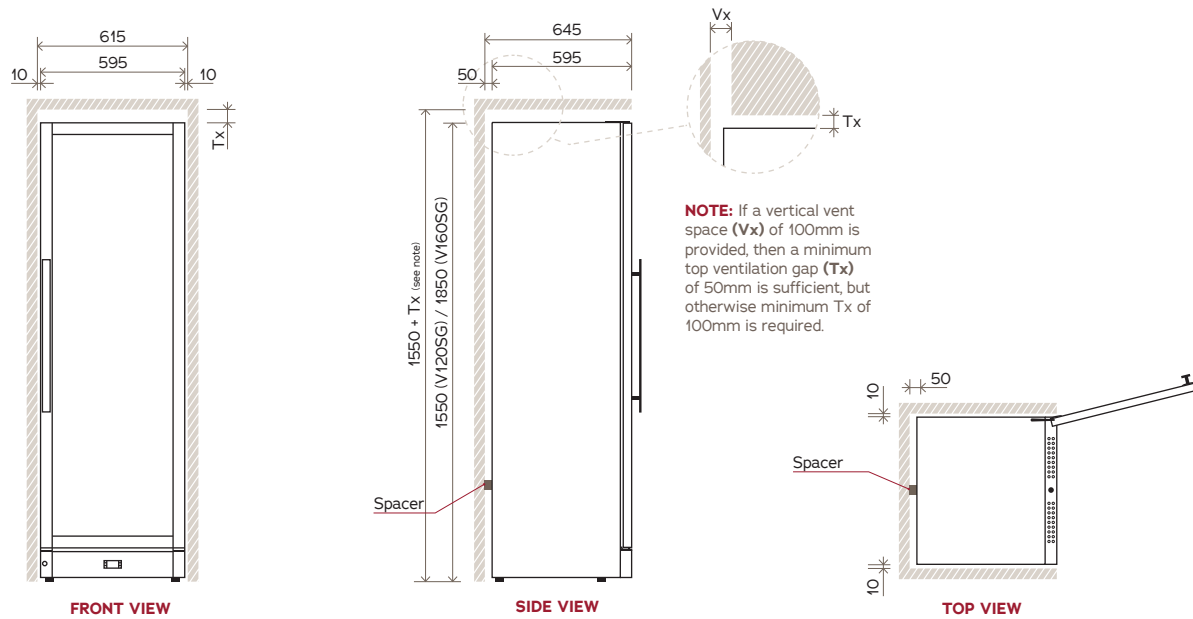


NOTE: Illustrations not to scale. All dimensions in millimetres.

* Minimum 10mm required whether proud-fit or flush-fit, however 30mm is recommended on the opening edge for easy finger grip access when installed flush-fit. For complete installation instructions, please refer to the user manual for this product.
© 2021 Electrolux SEA Ptd Ltd VDIM_VWD050_VWS050_VBS050_InstGuide

Dimension and Installation Guide

Large Wine Cabinets: V120SG / V160SG

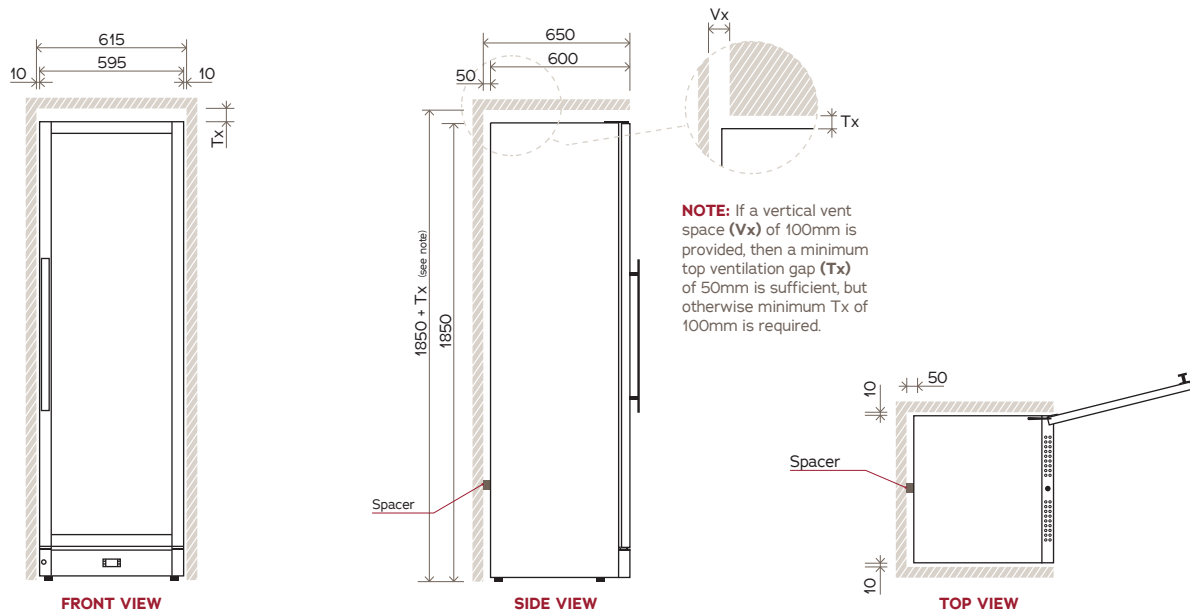


NOTE: Illustrations not to scale. All dimensions in millimetres.

* For complete installation instructions, please refer to the user manual for this product.
© 2021 Electrolux SEA Pte Ltd VDIM_VWM155SAA_DimSheet

Dimension and Installation Guide

Large Wine Cabinets: VWM155SAA-X / V190SG2EBK



NOTE: Illustrations not to scale. All dimensions in millimetres.

* For complete installation instructions, please refer to the user manual for this product.

© 2021 Electrolux SEA Pte Ltd VDIM_VWM155SAA_DimSheet and VDIM_V190SG2EBK_DimSheet

Cellaring and Serving Temperatures

The Vintec guide to perfect cellaring and serving temperatures.



Cellaring

Refrigerator Temp
(TOO COLD)

0°

1°

2°

3°

4°

5°

6°

7°

8°

9°

10°

Serving



**IF SERVED BELOW
IDEAL TEMPERATURE:**

Tannins will be harsher;
bitterness and acidity
will be accentuated.

Sauvignon Blanc &
Champagne

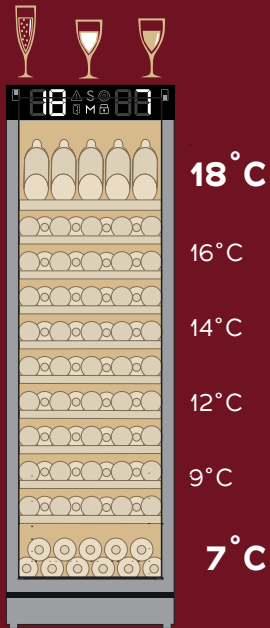
Chardonnay

Multi-Temp Functionality

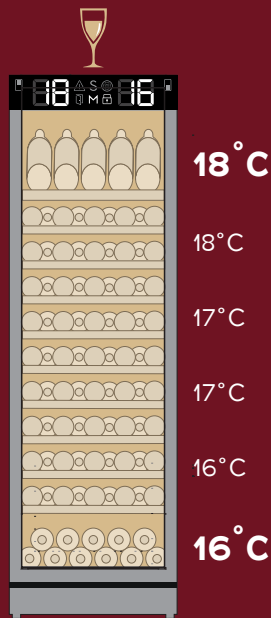
Multi-Temp functionality provides flexibility to store all your varietals at perfect serving temperature. In Multi-Temp mode, the cabinet creates a vertical temperature gradient, allowing you to arrange wines from top-to-bottom at the appropriate serving temperatures for each bottle in your collection. Refer to the diagrams to understand how the Multi-Temp feature distributes the temperature gradient based on settings.

Store at Serving Temperature

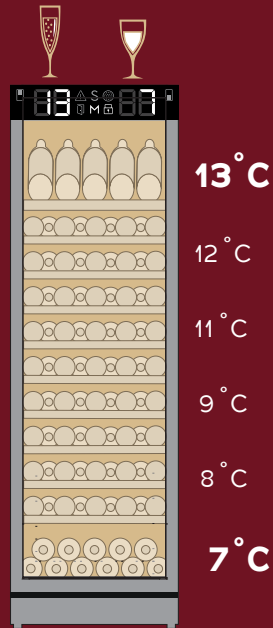
Champagnes,
Whites & Reds



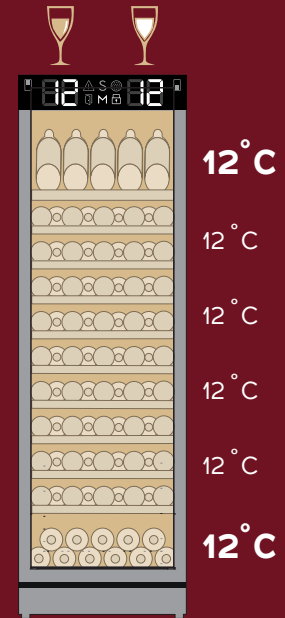
Red
Varietals



Champagnes
& Whites



Cellaring
Mode



To learn more, visit:
vintec.com



11°

12°

13°

14°

15°

16°

17°

18°

19°

20°

21°

22°

23°

**IF SERVED
ABOVE IDEAL
TEMPERATURE:**

Aromas are stripped of
their finesse and hidden
by a sensation of alcohol.

Vintec Club Membership

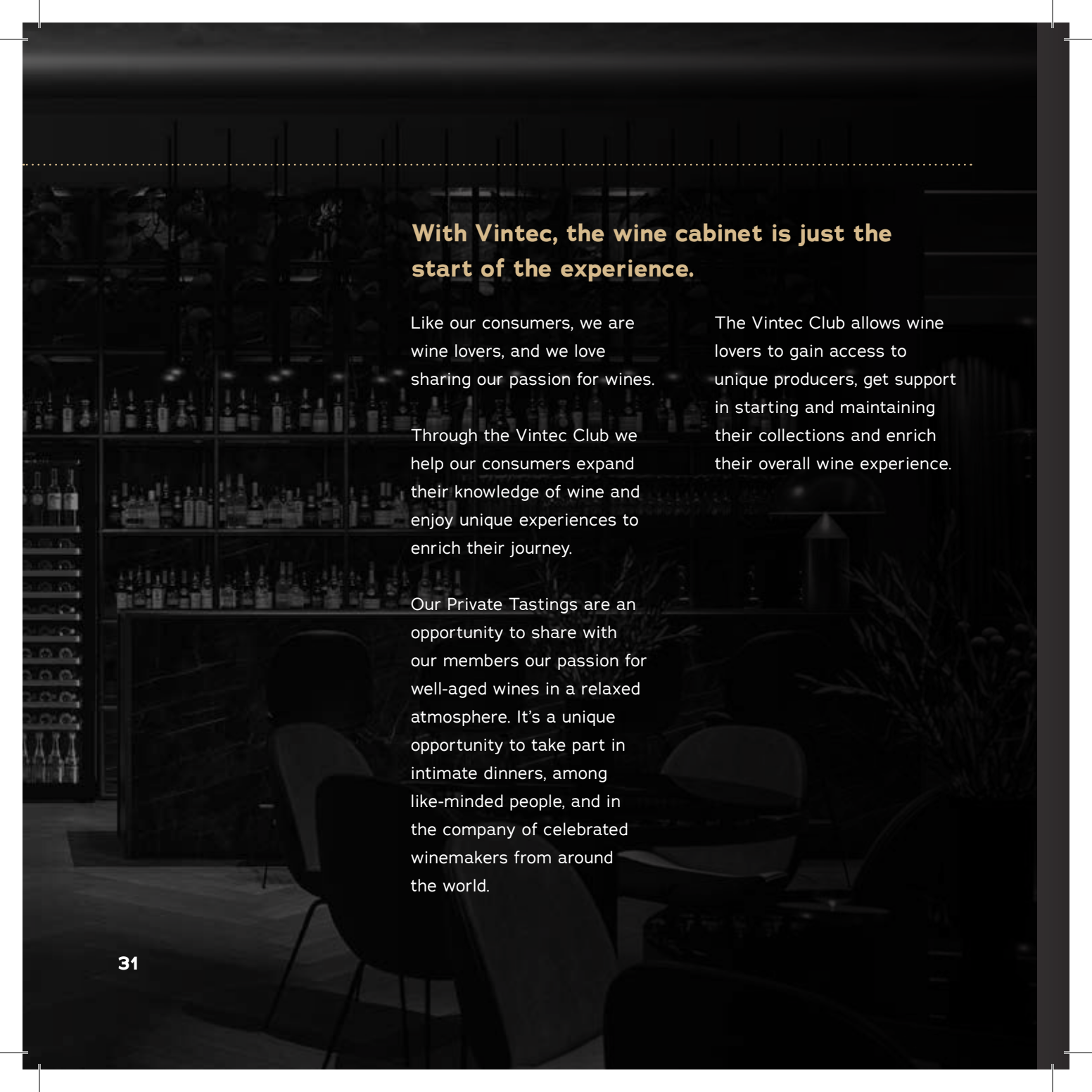
VINTEC CLUB

The Vintec Ownership Experience

Club membership is reserved for owners of Vintec wine cabinets. Register to unlock an additional year of warranty and access to exclusive member benefits:

- One year additional warranty if registration occurs within 60 days from purchase
- Invitation to Vintec Club “Private Tastings”
- Exclusive Wine Concierge Service
- Our club’s Expert Advice Library
- Member-only downloads
- Monthly Vintec Club newsletter with top wine news
- Access to Member-Only Offers on Wines
- Premium features in OENO by Vintec, our Virtual Cellar Management app

To activate your membership, register your Vintec wine cabinet at vintecclub.com



With Vintec, the wine cabinet is just the start of the experience.

Like our consumers, we are wine lovers, and we love sharing our passion for wines.

Through the Vintec Club we help our consumers expand their knowledge of wine and enjoy unique experiences to enrich their journey.

Our Private Tastings are an opportunity to share with our members our passion for well-aged wines in a relaxed atmosphere. It's a unique opportunity to take part in intimate dinners, among like-minded people, and in the company of celebrated winemakers from around the world.

The Vintec Club allows wine lovers to gain access to unique producers, get support in starting and maintaining their collections and enrich their overall wine experience.

Concierge Services

Guidance & Resources from Our Experts

Our members have access to an exclusive Vintec Club Wine Concierge, who can provide guidance and information to help members enjoy and take full advantage of their Vintec wine cellar and the Club.

Among the services the Vintec Club Wine Concierge provides:

- Cellar management and care tips
- Member benefits inquiries
- Vintec Club Private Tastings booking

OENO by Vintec

Our Virtual Cellar Management App

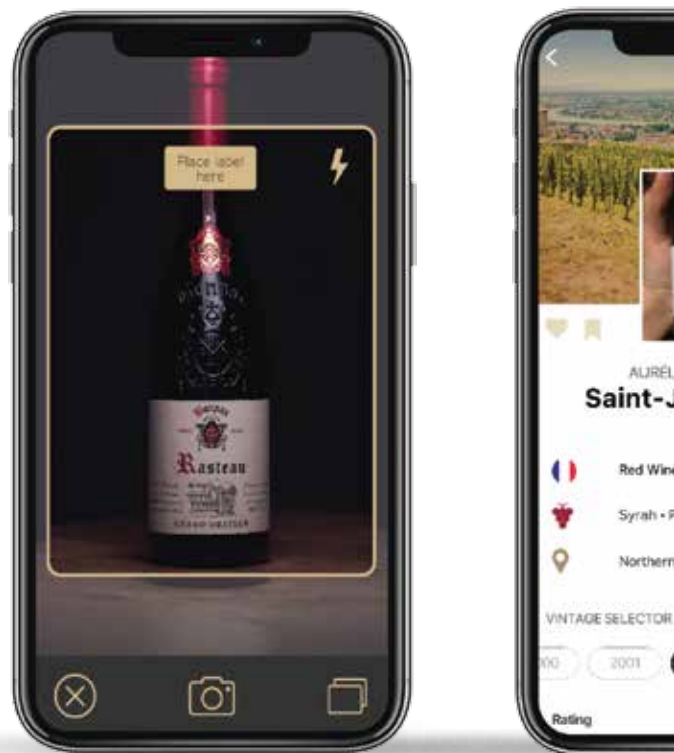
With OENO, Vintec owners can create a virtual replica of their wine cellar, scan bottles and store them in the right places. The app keeps track of which bottles you have as well as where you keep them.

By partnering with Vivino, OENO by Vintec allows users to scan wine bottles and retrieve pertinent wine information automatically – including grape varietals, tasting notes, Vivino ratings and more.

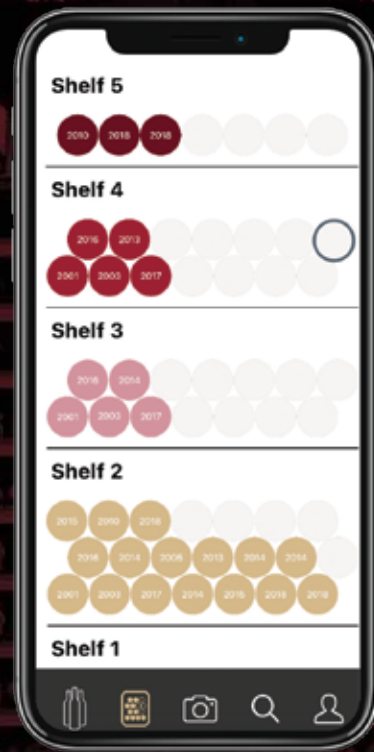
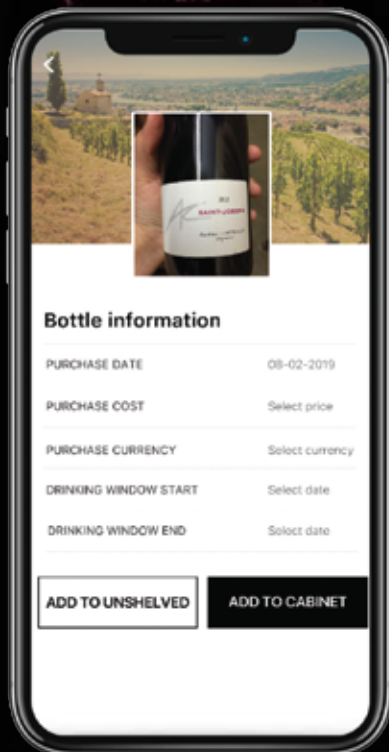
In addition, we have created an exclusive layer of expert information providing users with recommendations on aeration time, serving temperature, aging potential and right glassware.

Members of the Vintec Club have exclusive access and benefits while using the app, including unlimited wine scans. Manage your collection from wherever you are with OENO by Vintec, our Virtual Cellar Management app powered by Vivino.

SCAN THE QR
CODE TO LEARN
MORE ABOUT
OENO BY VINTEC.



- CONFIGURE - Create a virtual replica of your wine cellar(s)
- EXPLORE - Scan labels and see detailed information about wines
- STORE - Keep track of your collection by placing bottles in your virtual cellar
- TASTE - Get recommendations of wines from cellar to match your meals
- ORDER & RESTOCK - And build your collection directly from the OENO app





VINTEC

Electrolux S.E.A Pte Ltd
351 Braddell Road #01-04 Singapore 579713
Tel: 67273699 | www.electrolux.com.sg | customer-care.sin@electrolux.com

Information and specifications are accurate at the time of print and subject to change without prior notice. Images are simulated for illustrative purposes only.

Printed on May 2021.