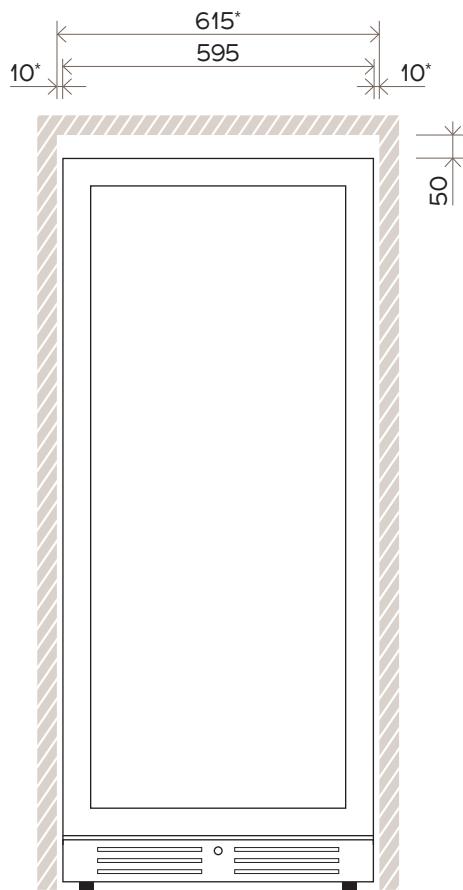
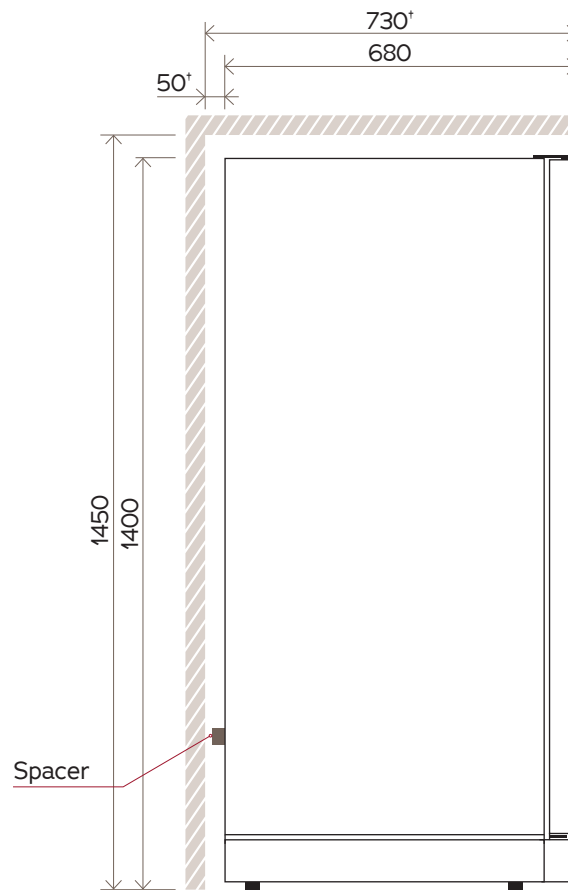


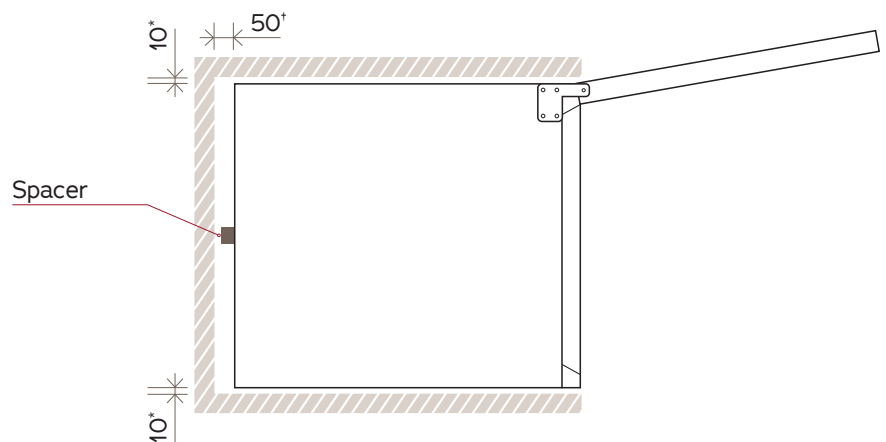
VWS121SCA VWS121SSA



FRONT VIEW



SIDE VIEW



TOP VIEW

NOTE: Illustrations not to scale.
All dimensions in millimetres.

* Minimum 10mm required whether proud-fit or flush-fit, however 30mm is recommended on the opening edge for easy finger grip access when installed flush-fit.

† 50mm rear ventilation gap required, even though spacer is only 30mm.

For complete installation instructions, please refer to the user manual for this product.