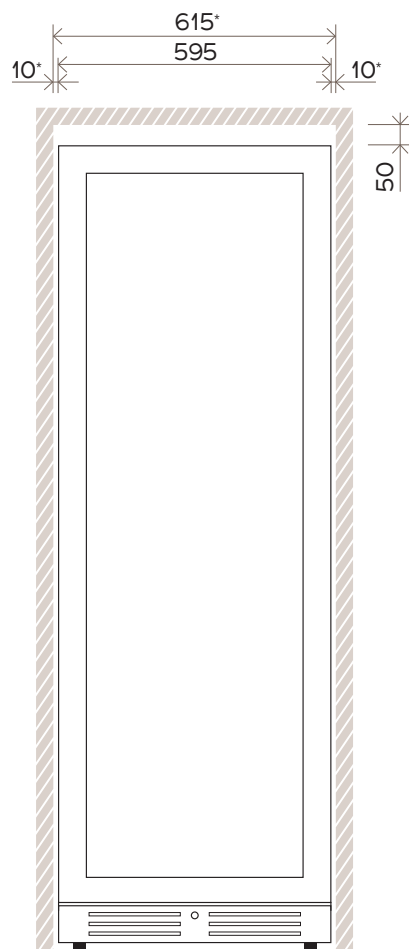
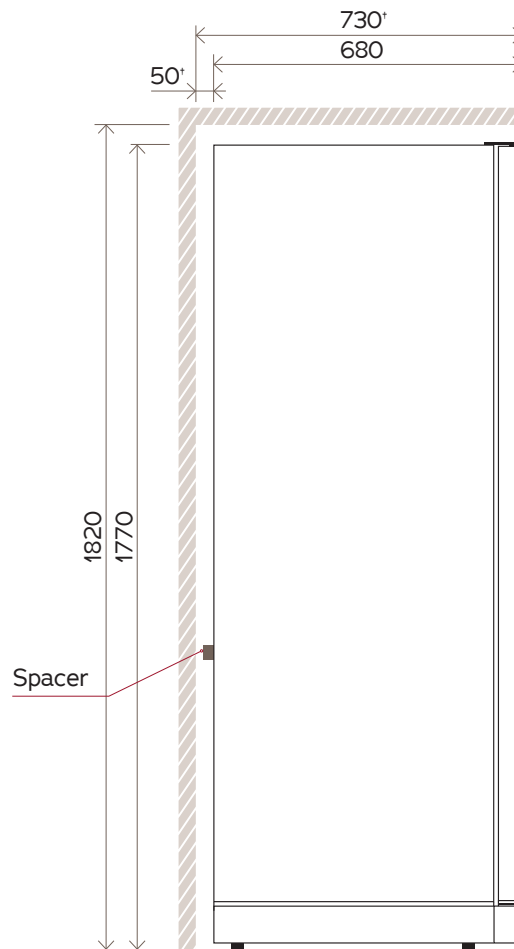


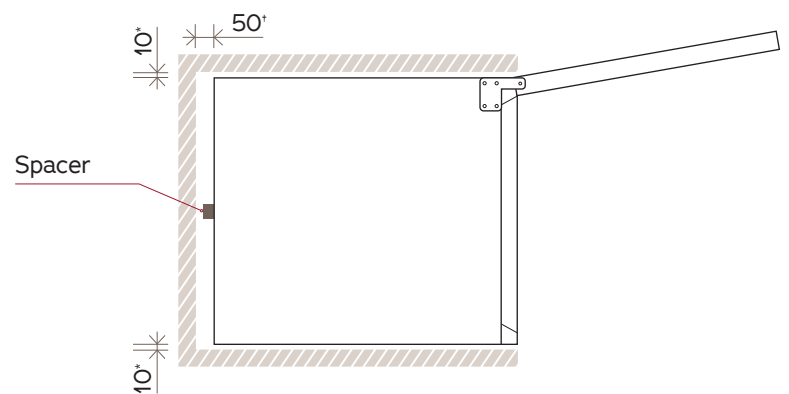
### VWS165SCA



**FRONT VIEW**



**SIDE VIEW**



**TOP VIEW**

**NOTE: Illustrations not to scale.**  
**All dimensions in millimetres.**

\* Minimum 10mm required whether proud-fit or flush-fit, however 30mm is recommended on the opening edge for easy finger grip access when installed flush-fit.

† 50mm rear ventilation gap required, even though spacer is only 30mm.

For complete installation instructions, please refer to the user manual for this product.