

*Firenzzzi*TM

Instruction

MANUAL DISINFECTION CABINET

Please read the instruction manual
carefully before using the appliances
and keep it in a safe place

ASIA SUMMIT MARKETING SDN.BHD.
NO.9,Jalan TSB 5, Taman Industri Sungai Buloh,
Kota Damansara,47000 Petaling Jaya,
Selangor Darul Ehsan.
Tel.: +603-6148 9188 Fax:+603-6148 8233
Email: firenzzzi911@gmail.com
Web: www.asmsb.com
Register online warranty at
<http://www.asmsb.com/abovt-us/warranty>



INSTRUCTION MANUAL

1.Firenzzzi Disinfection Cabinet-
Hygienic Cookware Cabinets for today living lifestyle!

Thank you for choosing Firenzzzi disinfection cabinet.The Firenzzzi disinfection cabinet use high infrared temperature to heat up the cookware's & ozone features inorder to kill germs and bacteria, The process for the disinfection will takes around 20 minutes.Please do not open the door while the process is operating as the heat is hot and will cause immediate hotness response.The Firenzzzi disinfection cabinets are suitable for home used,restaurants,canteen & hotels.

Content

- 1.Product Specification Diagram
- 2.Caution
- 3.How to fix
- 4.How to use
- 5.Main Technical Data
- 6.Maintenance & Service

*Always close the door when Press button power is ON.

*ONLY cook wares like wooden chopsticks,fork & spoons,bowls & plates made of ceramic,glass,stainless or normal steel suitable for using. (Plastics cook wares are not suitable to put in due to the high temperature of heat while operating.)

*The process of disinfection will takes around 20 minutes and strictly Do Not Open the Door while operating.

*Upper Cavity-ozone functions - for fork & spoons,chopsticks & others

*Lower Cavity-Infrared Red - for bowls,plates & others.

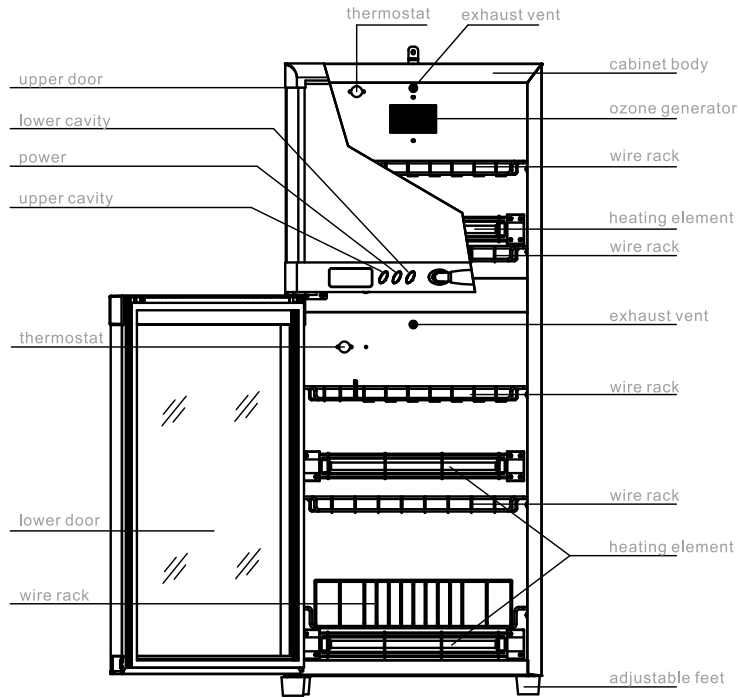
Thank you for using Firenzzzi disinfection cabinet. The Firenzzzi disinfection use the ozone and far infrared high temperature can kill escherichia coli,poliovirus,the disinfection effect is qualified the national standard. Suitable for home,office,canteen,kindergarten.

Content

1.construction of product -----	1
2.caution -----	2
3.how to assemble -----	3
4.how to use -----	4
5.main technical data -----	5
6.maintaining and service -----	6

- ◆ Close the door then only on the disinfection cabinet, or it may cause high temperature damage.
- ◆ only the tablewares can put inside cabinet.
- ◆ After the disinfection cabinet finished working,need to wait at least 20 minutes then can open the door to pick tableware,this can avoid burn.
- ◆ Can not put plastic or wood tableware into the bottomcavity.
- ◆ High temperature,be careful.

Products Specification Diagram



The sketch is only for simply description, product should be In kind prevail



Wipe dry the tableware then put into the disinfection cabinet.



Tableware that can not bear over 75°C, can not put inside this cabinet for disinfection.



Table ware that can not bear over 180°C only can put inside the upper cavity for disinfection and drying and must be keep a distance from the heating element at least 100 mm.



Tableware that can bear temperature from 180°C~250°C can put inside the lower cavity for high-temperature disinfection, but should keep a distance from the heating element at least 100 mm.



If your bowl or dish have interlayer, should not put into the lower cavity for disinfection. Because the interlayer have air, when high temperature heating, the air become too hot and your cookware might cause uneven



When fix the disinfection cabinet, should keep a distance from the cookware, power cord, socket and other cooking heating area.

Caution

The socket must be with earth line, consumer can not change the plug, disinfection cabinet not allow to work without earth line.

The socket should be on the open area so that it is easy to unplug the power cord when clean the disinfection cabinet.

Wipe dry the tablewares before put into cabinet.



If there is unnormal noise, smelling, high temperature, smoke, unplug the power cord immediately and call the agent for after-sales service.

When doing maintaining, pull out the plug to make sure electricity is off.

If the power cord is damage, should call after-sales service to send the professional technician to replace.

After the disinfection cabinet finish sterilizing and drying, pull out the plug.

The durable time is 10 years (the date since you buy), if you have keep maintaining in good condition can be used till 15~20 years.

When the disinfection cabinet is working, don't touch glass or handle



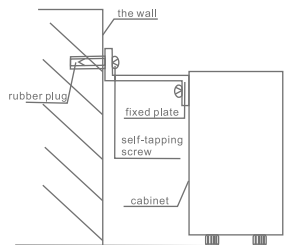
Don't block the exhaust vent.

Don't fix the disinfection cabinet near inflammables. Don't put towel, clothes inside the disinfection cabinet, near or on top of the cabinet.

Such as kids, are not allow to use this appliance.

How to fix

- ◆ This disinfection cabinet is a free-standing unit, place on the flat floor, if the floor is not flat, can screw the feet to adjust till the cabinet is flat.



- ◆ Use screw to assemble the fixed plate on top of cabinet back panel.
- ◆ Drill a $\varnothing 7$ hole on the wall, then insert the rubber plug with hammer, then use self-tapping screw to fix the fixed plate on the wall.

How to use

- ◆ Insert the plug and connect the power.
- ◆ Push 'power' button, the power indicator light is on, choose 'upper cavity' or 'lower cavity'. Push the 'power' button again, the indicator light is off, stop working.
- ◆ Only the lower cavity working. Push 'power' button and push the 'lower cavity' the indicator is bright, lower cavity is working. When the temperature reaches the preset temperature, the indicator is off, the working is finished.
- ◆ Only upper cavity working. Push 'power' button, the power indicator light is bright and push 'upper cavity' button, then upper cavity start to work. When upper cavity temperature reaches the preset temperature, then the light is off, finish working.
- ◆ If you want upper cavity and lower cavity both working, push 'power' button and then push 'upper cavity' and 'lower cavity' button then they working together.
- ◆ Indicator light is off and after 20 minutes, if disinfection is still working, don't open the door, or the sterilization result is not good.
- ◆ If you want to stop, just push the 'power' button.
- ◆ When the upper cavity is working, if you open the upper door, the ozone generator stops working, after you close, it works again.



Caution

When first time using the disinfection cabinet, high temperature to bake the coating of heating element,



Warning

During using, if you want to open the door, cut power first. (Warning: Inside the disinfection cabinet is high temperature, be careful during using.)

Main technical parameters

Model	FD-78	FD-108	FD-138	FD-168	FD-338
rated voltage and power	230V,50HZ,700W			230V,50HZ,1100W	
capacity	78L	108L	138L	168L	338L
upper cavity	the concentration of ozone	2mg/m ³ ≤ O ³ concentration ≤ 20mg/m ³			
	working time(load)	≥ 20 min			
	the service life of ozone generator	≥ 1000 h			
	application	tableware disinfection (for tableware can bear over 75°C)			
lower cavity	disinfection grade	* *			
	disinfection temperature	125°C ^{+45°C} _{-5°C}			
	disinfection time	≥ 15 min			
	application	tableware disinfection (for tableware can bear over 180°C)			
service life of heating element	≥ 3000 h				
working period	≥ 30 min				

Maintaining and after-sales service

- ◆ Normally using, at least one time a week, can avoid germs.
- ◆ Wipe dry the tablewares before put into cabinet. Not allow to fix disinfection cabinet in the humid place.
- ◆ Need to clean usually. Cut power when you clean, use humid towel and mediosilicic cleaner to wipe the dirty, then use the clean towel to clean again.
- ◆ If there is unusual performance, stop using and pull out plug. Call the professional technician to repair.

common malfunction	factors	solution
cabinet not working	plug and socket not connect well	repair or replace
	the fuse is fusing	replace the fuse
	power cord disconnection off	replace power cord
ozone generator not working	door control switch broken	replace the door control switch
	the relay is broken	replace the relay
	ozone generator is broken	replace the ozone generator
heating element not working	relay is broken	replace the relay
	heating element is broken	replace the heating element

- ◆ Please keep the warranty card and other documents for after-sales service
- ◆ Please call the distributor or after-service center.

Warranty Card

NO. :

Model NO.: ----- barcode -----

Invoice NO.: ----- Buy date: -----

Buyer name: ----- TEL: -----

Home add: -----

Each product with this warranty card, please keep well for after-sales service, if lost, no reapplying.

Contract repairing including:

1. Main components is 2 years guarantee, including: circuit board, display board, button. Other components are 1 year guarantee, glass is wear part, no guarantee.

2. valid guarantee period is from the date when you buy this product on invoice or warranty card, if you can not show, need to check the barcode of product and need to add 15 days.

3. During warranty period, below situations are not have free repair

- (1). Can not provide the invoice or warranty card.
- (2). Improper use or improper fixed lead to malfunction.
- (3). Malfunction caused by consumer improper repair or maintaining
- (4). Human damage, not quality problem.
4. If the repairing is not free, need to pay charges.
5. When need repair, please show the warranty card and invoice.
6. If need to replace defect product, need to provide the copy of invoice.

If consumer is not satisfied with the repair service, can call their after-sale service center directly to complain.

Product assemble and maintaining record

product name		model		
buyer name		date		
barcode(if have)				
date of repair	malfunction		Signature of buyer	Signature of technician
	details	component of replace		

Remarks:

After finishing repair, Technician must fill the form accordingly.