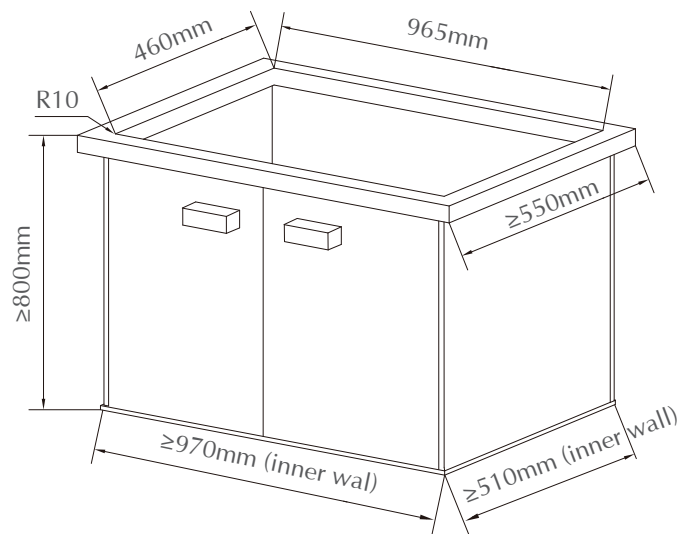


Sink Dishwasher SD2F-P1X

BEFORE INSTALLATION REQUIREMENTS:

1. THE OUTLET (DRAINAGE) PIPE MUST BE $\leq 300\text{MM}$ FROM THE GROUND, PIPE DIAMETER $\geq 50\text{MM}$
2. TABLE TOP CUT-OUT SIZE MUST BE READY BEFORE INSTALLATION
3. PREPARE A 13AMP POWER POINT INSIDE THE CABINET
4. INSTALLATION TYPE : TOP MOUNT ONLY



Drain-pipe installation diagram

