

# GDK Series Oil Lubricated Screw Air Compressor

7-75kW



*Reliable Smart Original*

National toll-free service hotline  
400-820-9290

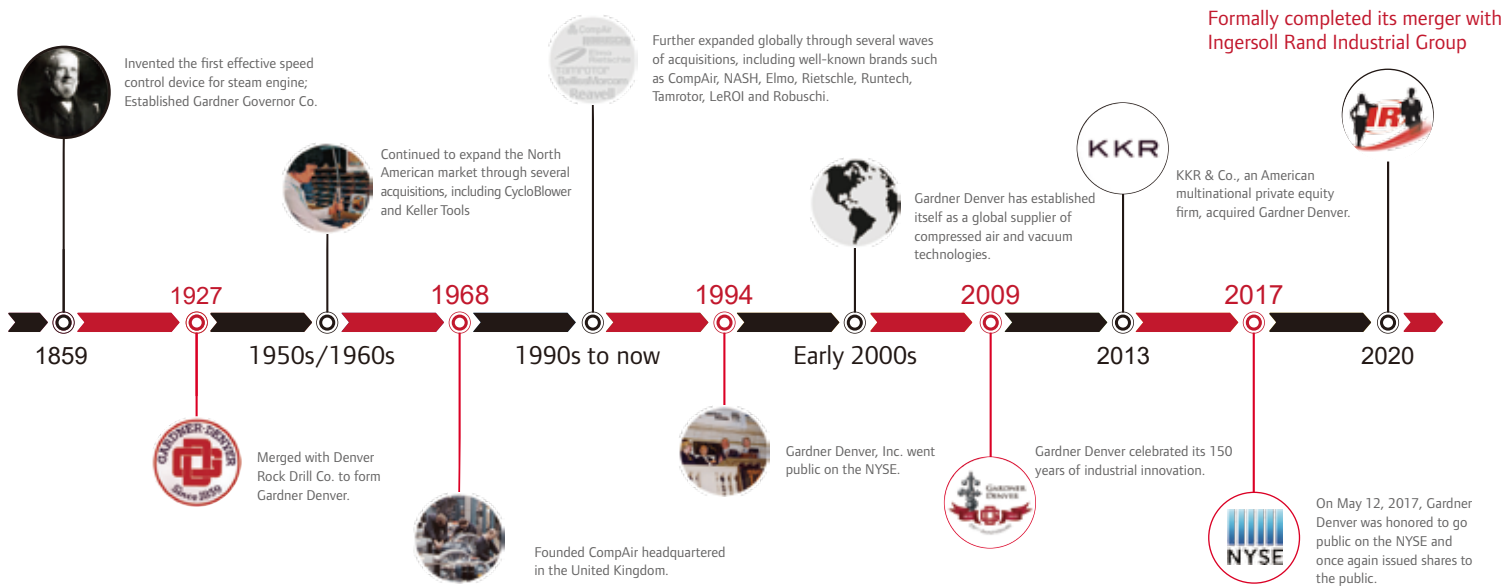
**Gardner**  
**Denver**

# Gardner Denver

Gardner Denver brand of Ingersoll Rand Group, founded in 1859, focuses on the development of innovative products and engineering solutions to solve operational problems for our customers. With global collaboration, strong customer service awareness and profound application expertise, we provide reliable and energy-efficient equipment for a variety of manufacturing and process applications. Since March 1, 2020, Ingersoll Rand Industrial Group and Gardner Denver have formally merged to form a new Ingersoll Rand company.

Now, as a larger and stronger company, we can better provide you with more comprehensive solutions and a wider portfolio of products and services. Driven by entrepreneurship and a sense of ownership, the new Ingersoll Rand company is committed to creating a better life for our employees, customers and those around us.

GDK series product line is the first product line designed by integrating the advantages of the product lines of Ingersoll Rand Industrial Group and Gardner Denver Industrial Group in Asia-Pacific after their merger. It is completely tailored for the fundamental manufacturing industry in Asia-Pacific. In addition to stringent engineering design and quality control, the comprehensive solution of the complete and after sales service has excellent performance to price competitiveness among brands of the same class



# Ingersoll Rand

Driven by entrepreneurship and a sense of ownership, Ingersoll Rand (NYSE: IR) is committed to creating a better life for our employees, customers and those around us. Our technology-driven excellence in key business process construction and industrial solutions has won great trust from our customers. Even under extremely complex and stringent operating conditions, more than 40 brands of our award-winning products and services can still stand out with superior performance. Our product portfolio covers many areas, including air compressors, pumps, blowers, fluid management, loading, power tools and material hoisting systems, as well as the well-known multi-purpose vehicle brand Club Car. Our more than 16,000 employees around the world will continue to provide customers with reliable expertise, help customers improve productivity and efficiency, and establish lifelong connections with customers. For more information, visit [www.IRco.com.cn](http://www.IRco.com.cn).



The GDK series product line is located in Ingersoll Rand Wujiang Industrial Park. Ingersoll Rand Wujiang Industrial Park, completed in 2008, covers a total floor area of 230,000 square meters and a construction area of 91,000 square meters. With more than 700 employees, it is one of the largest investments of Ingersoll Rand Industrial Group in the world. As a world-class integrated enterprise, the Wujiang Factory provides first-class services for different business groups and partners, with the vision of good customer experience, excellent manufacturing process, first-class product quality, attitude of continuous improvement and high employee satisfaction.



The manufacture, quality inspection and quality control of GDK series products will be completed in Ingersoll Rand Wujiang Industrial Park; its supplier on-site evaluation, production part approval process, incoming quality control, warehouse inventory management, production and manufacturing process, testing and inspection, finished product quality control, outgoing quality control and warranty are strictly based on the quality regulations of Ingersoll Rand Wujiang Factory.

# GDK07-22kW Fixed Speed Design

## Integrated Airend Design

- Less leakage points and pressure loss
- Less installation space due to compact design



## Reliable Electronic Control Design

- Electronic control cabinet with high protection level
- High margin electric control design

## Efficient Cooling System

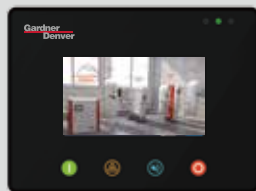
- High margin cooler design
- ERP2015 standard, external rotor fan, streamlined shroud, low power consumption

## Self-Tensioning Design

- Calibration free
- 12-groove rigid and reliable belts for 15-22kW

## Smart and User-Friendly Interface

- Touch color screen
- Embedded IoT function
- Multi-unit sequent control
- Standard Modbus, remote/local monitor



## Complete sensor detection and Predictive Maintenance

- Exhaust temperature detection of air end
- Pressure detection before and after oil separation
- Intake vacuum detection
- Maintenance tips



# GDK30-75 Fixed Speed Design

## Built-in Oil Separation System

- Low oil carryover design
- No risk of pipeline leakage
- Low pressure loss



## Airend and Motor Direct Connection System

- No coupling, reducing energy consumption
- Reduced cost of daily maintenance

## Smart Service Interface

- Switch-type removable door panel
- Easy maintenance and consumable replacement interface

## Efficient Cooling System

- High margin cooler design
- Large-sized bellows ensure cooling flow profile

## Highly Reliable Air End

- Robust and reliable air end tested by tens of thousands of compressor units in the field
- Durable, low maintenance cost



## Motor with High Protection Level

- IP55 closed motor, class F insulation, class B temperature rise
- Large-sized bearings ensure the service life



# GDK30-75HPM VSD Design

## Smart and User-Friendly Control Interface

- Touch color screen
- Embedded IoT function
- Multi-unit sequent control
- Standard Modbus, remote and local monitor

## Complete sensor detection and Predictive Maintenance

- Exhaust temperature detection of air end
- Pressure detection before and after oil separation
- Intake vacuum detection



## Dual Inverter Design for Motor and Cooling Fan

- Maximized energy efficiency
  - level of the complete machine
- Low noise design

## Built-in Oil Separation System

- Low oil content design
- No risk of pipeline leakage
- Low pressure loss

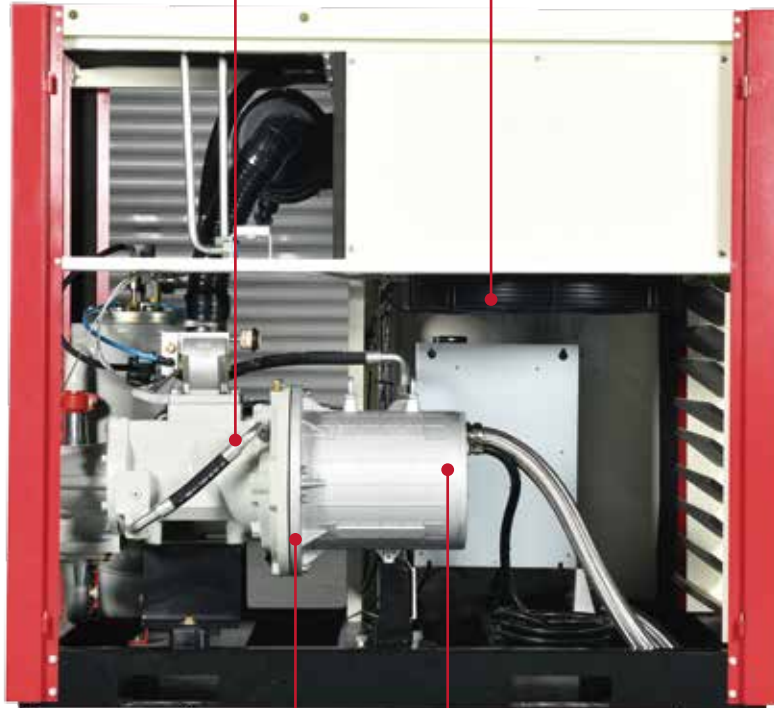
**GDK07-22HPM VSD will launch soon**

### Airend with Excellent Efficiency

- High reliability, proven cases of global application
- Large size and low speed design
- Leading efficiency performance of Group World wide

### Efficient Cooling System

- High margin cooler design
- ERP2015 standard fan
- Large-sized bellows ensure cooling flow profile



### Direct-Connected Driving

- Most efficient driving mode
- No energy efficiency loss caused by belt and gear driving

### High Efficiency Motor with High Protection Level

- IE5 superior energy efficiency
- IP66 protection level
- Large-sized bearings ensure the service life



## Product Parameters | GDK07~GDK75

Model	Motor Power kW	Exhaust Pressure bar(g)	Volumetric Flow m <sup>3</sup> /min	Dimensions (L x W x H)mm	Weight kg	Connection
GDK07-7A	7.5	7	1.22	717*627*1060	222	G3/4
GDK07-8A	7.5	8	1.14	717*627*1060	222	G3/4
GDK07-10A	7.5	10	1	717*627*1060	222	G3/4
GDK07-12.5A	7.5	12.5	0.81	717*627*1060	222	G3/4
GDK11-7A	11	7	1.69	717*627*1060	225	G3/4
GDK11-8A	11	8	1.58	717*627*1060	225	G3/4
GDK11-10A	11	10	1.41	717*627*1060	225	G3/4
GDK11-12.5A	11	12.5	1.23	717*627*1060	225	G3/4
GDK15-7A	15	7	2.5	984*832*1065	465	G1
GDK15-8A	15	8	2.4	984*832*1065	465	G1
GDK15-10A	15	10	2.07	984*832*1065	465	G1
GDK15-12.5A	15	12.5	1.7	984*832*1065	465	G1
GDK18-7A	18.5	7	3.1	984*984*1115	509	G1
GDK18-8A	18.5	8	3	984*984*1115	509	G1
GDK18-10A	18.5	10	2.61	984*984*1115	509	G1
GDK18-12.5A	18.5	12.5	2.15	984*984*1115	509	G1
GDK22-7A	22	7	3.7	984*984*1115	524	G1
GDK22-8A	22	8	3.41	984*984*1115	524	G1
GDK22-10A	22	10	3.08	984*984*1115	524	G1
GDK22-12.5A	22	12.5	2.72	984*984*1115	524	G1
GDK30-7A	30	7	5.43	1544*884*1405	692	G1 1/4
GDK30-8A	30	8	5.21	1544*884*1405	692	G1 1/4
GDK30-10A	30	10	4.6	1544*884*1405	692	G1 1/4
GDK37-7A	37	7	6.34	1544*884*1405	742	G1 1/4
GDK37-8A	37	8	5.83	1544*884*1405	742	G1 1/4
GDK37-10A	37	10	5.34	1544*884*1405	742	G1 1/4
GDK45-7A	45	7	8.23	1544*884*1405	870	G1 1/4
GDK45-8A	45	8	7.82	1544*884*1405	870	G1 1/4
GDK45-10A	45	10	6.6	1544*884*1405	870	G1 1/4
GDK55-7A	55	7	10.6	1969*1234*1605	1472	G 2
GDK55-8A	55	8	10	1969*1234*1605	1472	G 2
GDK55-10A	55	10	8.6	1969*1234*1605	1472	G 2
GDK75-7A	75	7	13.41	1969*1234*1605	1482	G 2
GDK75-8A	75	8	13	1969*1234*1605	1482	G 2
GDK75-10A	75	10	11.3	1969*1234*1605	1482	G 2

**14bar is option for GDK07-22**



## Product Parameters | GDK30HPM~GDK75HPM

Model	Motor Power kW	Exhaust Pressure bar(g)	Volumetric Flow m <sup>3</sup> /min	Dimensions (L x W x H)mm	Weight kg	Connection Port
GDK30HPM-A	30	7-10	1.8-5.6	1544*884*1405	620	G1 1/4
GDK37HPM-A	37	7-10	2.3-6.7	1544*884*1405	670	G1 1/4
GDK45HPM-A	45	7-10	2.8-8.0	1544*884*1405	770	G1 1/4
GDK55HPM-A	55	7-10	3.4-10.1	1969*1234*1605	1372	G 2
GDK75HPM-A	75	7-10	4.6-13.2	1969*1234*1605	1382	G 2

## GDK07-22HPM coming soon



# Comprehensive and Considerate After-Sales Service

As a professional system service provider, we are always ready to serve customers at home and abroad with our professional technical service model and technical quality management, strong technical service team and adequate accessories inventory.



Maintenance time can be indicated by the operation control panel



Sheet design for easy maintenance



Overall design based on lower maintenance cost



The use of genuine spare parts ensures stable operation and longer service life of the machine

## Timely and Convenient Localized Service

- A complete portfolio of consultation services for the construction of new air compressor stations.
- After the installation of the equipment, a specialist will be dispatched to be responsible for the training of equipment commissioning and management personnel in operation and maintenance.
- After the equipment are qualified in commissioning, free maintenance and accessories will be provided during the warranty period.
- Professional technical support, accessories supply guarantee.
- Visit customers regularly every year.
- Send personnel to help the customer quickly troubleshoot occasional machine problems.
- Advanced testing instruments provide operation data in a timely manner.
- Collection, analysis of system air usage data and optimization of air source management.
- Extended warranty service for the complete machine is available per request.
- Give feedback to customers quickly and carry out necessary on-site maintenance services.
- Provide users with all-round air compressor diagnosis to eliminate the potential problems of the compressor, ensure the continuity and integrity of the production line, and avoid costly breakdown losses.
- Adequate spare parts inventory, reliable quality assurance, ensuring on-site use for every customer.

For customers in need, we can diagnose the status of their equipment based on the iConn Industrial Internet of Things Platform, thereby reducing the emergency shutdown and economic losses caused by equipment failure. Meanwhile, we give instructions on the customers' applications remotely via a 400 service hotline.

## Tailor-Made GD Original Maintenance Kit

By leveraging the decades of hands-on maintenance experience, we have developed a customized maintenance kit of best optimized combinations, which allows users to simply carry out maintenance as the GDK machine maintenance schedule. With this kit in hand, users can easily carry out maintenance and upgrading when the specified number of running hours is reached, thus saving costs and freeing you from maintenance problems.



 24-hour toll-free service hotline  
**400 820 9290**

# Lean on us

## To help you make life better

### We think and act like owners.

For 160 years we have been waking up every day to help make life better. We are driven by an entrepreneurial spirit and an ownership mindset, inspiring us to care deeply about our neighbors and shared planet. We have a bias for action, take accountability and quickly bounce back from setbacks.

### We are committed to making our customers successful.

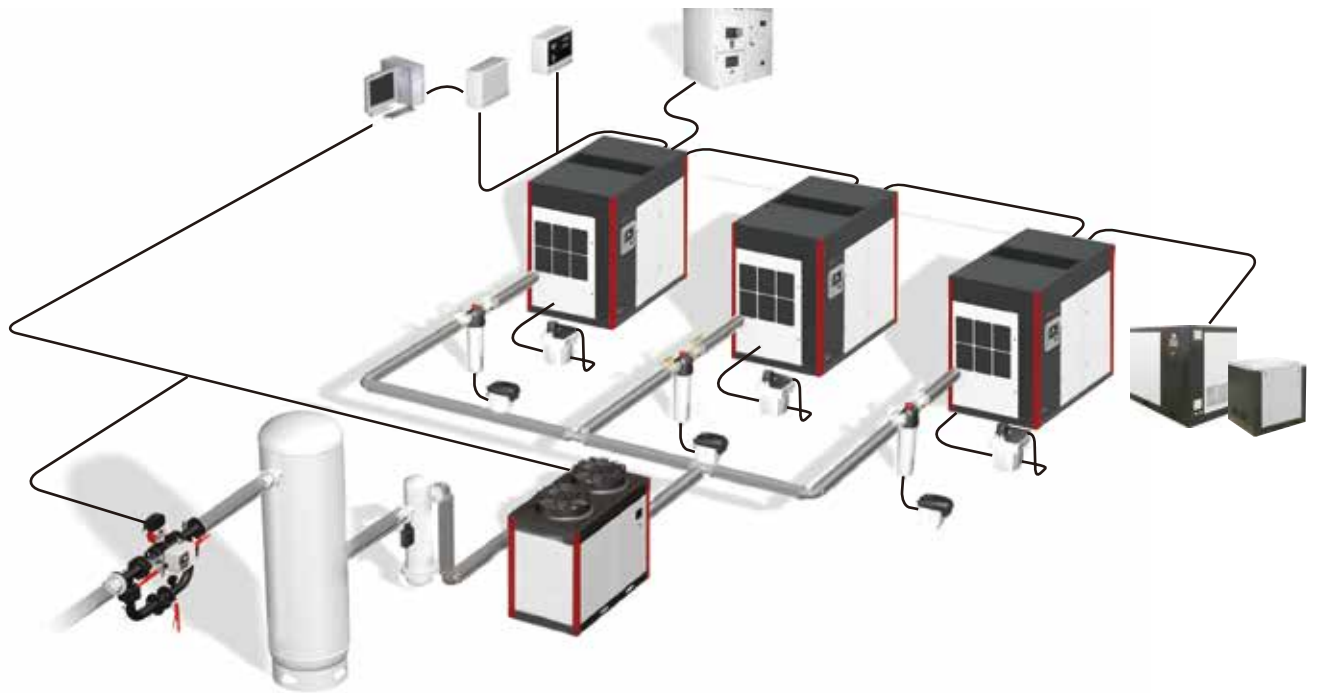
We pride ourselves on innovation, and we aim to operate in a clear, straight-forward fashion. We aspire to be connected for life with our customers and embrace the responsibility that comes with that. We know they lean on us for essential, vital and mission-critical solutions.

### We are bold in our aspirations while moving forward with humility and integrity.

We have the confidence to take on the hardest problems, yet we are rooted in a genuine sense of humility. We endeavor to earn trust every day by being honest in our dealings and acting with integrity regardless of how hard the challenge. We speak with candor, own our mistakes and always strive to be better tomorrow.

### We foster inspired teams.

We nurture and celebrate a culture that embraces diverse points of views, backgrounds and experiences. We are committed to equity in how people are treated and the opportunities available to them. And we know that a workplace which cultivates a sense of inclusion, belonging and respect will develop the most talented and capable employees.



# Gardner Denver spares no effort to manage your system

To ensure the reliable operation of the entire system, Gardner Denver provides a variety of accessories including dryers, filters, after coolers, etc. You can enjoy Gardner Denver's convenient one-stop purchase service, with all components of the system perfectly matched, and get the first-class customer support at any time.

<p><b>Oil Lubricated Screw Compressor</b></p> <p>Single-Stage Screw Compressor 0.3-47.7m<sup>3</sup>/min/7~14barg</p> <p>Two-Stage Screw Compressor 29.6-70.1m<sup>3</sup>/min/7~14barg</p> <p>Engineering Customization Construction machinery auxiliaries, locomotives, cranes...</p> 	<p><b>Oil-Free Compressor</b></p> <p>Oil-Free Scroll Compressor 0.21-3.78m<sup>3</sup>/min/8~10barg</p> <p>Oil-Free Water Injection Compressor 0.9-27m<sup>3</sup>/min/7~10barg</p> 	
<p><b>After-Treatment Equipment</b></p> <ul style="list-style-type: none"> <li>• Filter and dryer</li> <li>• Cooling system</li> <li>• Air storage tank</li> </ul> 	<p><b>Comprehensive Service Support</b></p> <ul style="list-style-type: none"> <li>• Development of engineering solutions</li> <li>• Localization service center</li> <li>• Genuine GD and CompAir spare parts and lubricating oil</li> </ul> 	<p><b>Value-Added Services</b></p> <ul style="list-style-type: none"> <li>• Heat recovery</li> <li>• Frequency conversion retrofit</li> <li>• Integrated control</li> </ul> 



Follow Gardner Denver's Official WeChat Account To Access More Latest Information



TikTok Account: 617086310

# Gardner Denver

**Gardner Denver Machinery (Shanghai) Co., Ltd.**

11F, L'avenue, No.99 Xianxia Road, Shanghai

Tel: 400-820-9290

[www.gardnerdenver.com.cn](http://www.gardnerdenver.com.cn)

The contents in the catalog are subject to change without notice.

© Copyright

