

Refrigerant Pumps

Air Driven Positive-Displacement Piston Pumps

Models 59015 and 59025

Haskel Refrigerant Recovery Pumps transfer refrigerants across all pressure ranges up to 1,200 psi, including pulling a vacuum down to 27" Hg to remove all remnants from the supply bottle.

With plenty leverage to condensate the common refrigerant without a condenser, these high-pressure pumps efficiently pump the liquid first, then the vapor, then vacuum to 23"-27" HG - with one pump. Their flexibility enables users to speed completely variable from zero to maximum lbs (kg)/minute, stall against load, start against load and run dry, with no need for unloaders or bypass valving.

Applications

Designed for recovery or recharge of refrigerants. Haskel refrigerant pumps are safe, proven reliable and energy saving for recovery or recharge of fluids, regardless of phase – liquid or gas.

Features and Benefits

- Flexibility – Add gages and hoses to suit your application
- Cool Operation – No heat generated during liquid transfer. Minor warming during vapor transfer. No refrigerant heating from the motor
- Safety – Pneumatically driven. Operates from an air hose like an air tool. No electrical hazard.
- Portability – An integral pump with linear air motor assembly weighing from 13 lbs (6kg) to 24 lbs (11kg).
- Clean – No lubrication required in the gas section. Nothing is added to the refrigerant, liquid or vapor
- ATEX certified version available

General Specifications

Model	Weight	Pump Displacement per Cycle	Air Drive Bore x Stroke	Seals Pumps		Seals Drive	Wetted Section Metals
59015	13 lbs (6 kg)	8.9 cu. in.	4 x 2-1/2	Standard	Neoprene & PTFE	Buna	Aluminum and Stainless Steel
59025	25 lbs (11 kg)	10 cu. in.	5-3/4 x 2	Add -2 after part number Add -3 after part number	Buna N & PTFE Viton & PTFE		

Compatibility Table

Refrigerant	O-Ring Compatibility	Recommended Models
R-12, R-22, R-32, R-123, R-134A, R-1230 R-254, R-290, R-404, R-407, R-410, R-500, R-502, FM200, HFO-1234YF	Neoprene	59015, 59020, 59025, 82410
R-11, R-113, R-114, R-124, R-142	Buna N	59015-2, 59020-2, 59025-2, 82410-2
R-23, R-112, R-143	Viton	59015-3, 59020-3, 59025-3, 82410-3



Model 59025

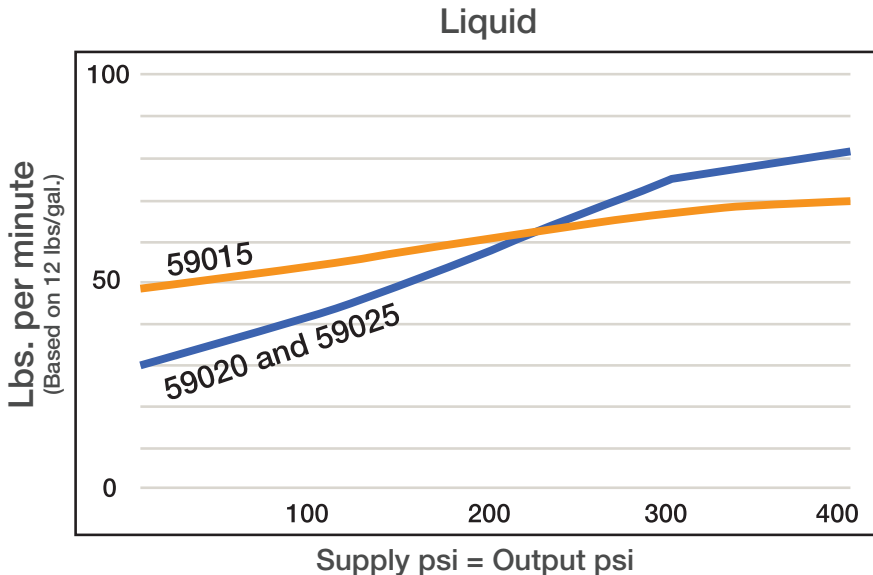


Model 59015

Approximate Performance Capability

Model	Vapor with constant output resistance of			
	15 psi and inlet falling from		250 psi and inlet falling from	
	15 psi (1 bar) ▶ 0 psi	0 psi ▶ 27" HG	50 psi (3 bar) ▶ 0 psi	0 psi ▶ 23" HG
59015	Averages 1.4 scfm	Averages .11 scfm	Averages 1.5 scfm	Averages .11 scfm
59025	Averages 1.5 scfm	Averages .15 scfm	Averages 1.6 scfm	Averages .14 scfm

CMM = SCFM x 0.0283

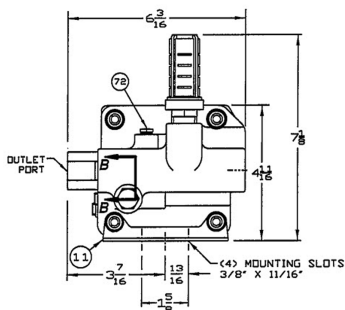


Actual flow rates will depend on the liquid or vapor phase of the refrigerant, the inlet pressure and outlet pressure required
100 psi = approx. 7 bar, 25 lbs = 11 kgs

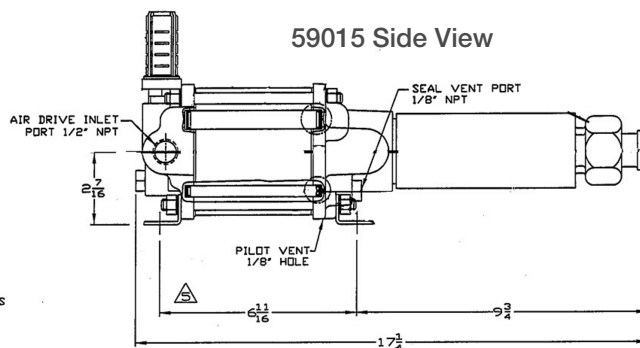
1. Air Drive Input: Data assumes approximately 100 psi (7 bar) at 40 scfm (1.132 Nm³/min) (10 HP compressor. Smaller air drive compressors will produce proportionally lower output rates (e.g. If air source is a 1 HP, 100 psi (7 bar) compressor output rates will be about 10% above.
2. Suction of Plumbing: Data assumes 3/8 NPT inlet piping without restrictions. In many refrigerant recovery applications, severe restriction of inlet supply cannot be avoided and will starve the pump reducing output rates.
3. Safety and Relief Valves are recommended downstream since either pump at stall is capable of intensifying output pressures beyond normal refrigerant piping and receiving working pressure.

Dimensions

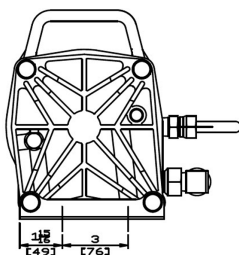
59015 End View



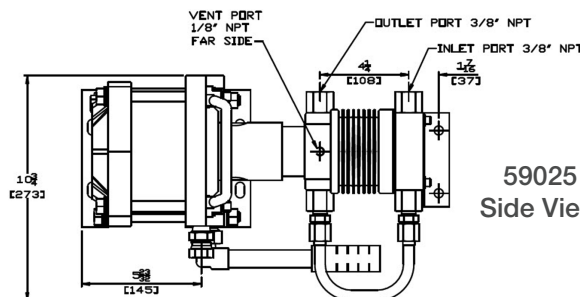
59015 Side View



59025 Top View



59025 Side View



A distance piece on the 59025 provides an atmospheric chamber between the air drive and the refrigerant sections to insure no possibility of refrigerant contamination if contaminated air is used for drive.

