

2-WAY TRUNNION VALVE

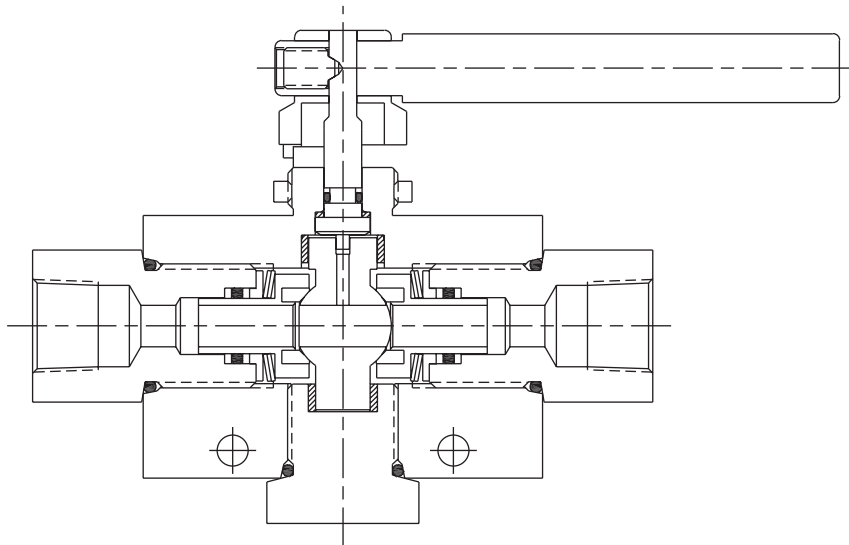
BuTech offers a 2-way trunnion valve for severe high cycle applications. These valves are constructed of the same materials as our 3-way diverting and switching valves and are designed to operate in temperatures of -20 to 400° F (-28 to 204° C). For operating at temperatures up to 550° F (288° C), specify our high temperature option (see page BV-2).

Features:

- Pressures to 20,000 PSI (1380 bar) at 72°F (22°C)
- Pressure loaded seats assure positive sealing
- Blowout-proof stem provides maximum safety
- Choice of replaceable connections for installation versatility
- Double-ended trunnion mounted ball
- Reinforced PEEK trunnion bearings and high-temperature o-rings for temperatures up to 550°F (288°C)
- Bi-directional flow capabilities

Available Models:

Model No.	Maximum Pressure*		Port	Cv	Page
3K341	3,000 PSI	210 bar	0.250" (6.4 mm)	1.40	BV-21
3K631	6,000 PSI	410 bar	0.187" (4.7 mm)	0.75	BV-22
3K931	10,000 PSI	690 bar	0.187" (4.7 mm)	0.75	BV-24
3K1061	10,000 PSI	690 bar	0.375" (9.5 mm)	3.40	BV-26
3K1081	10,000 PSI	690 bar	0.500" (12.7 mm)	10.00	BV-28
3K1231	12,000 PSI	830 bar	0.187" (4.7 mm)	0.75	BV-30
3K2031	20,000 PSI	1380 bar	0.187" (4.7 mm)	0.75	BV-32
3K2061	20,000 PSI	1380 bar	0.375" (9.5 mm)	3.40	BV-34



***CAUTION:** The maximum allowable working pressure (MAWP) of the valve shall not exceed the MAWP of the valve series or the selected connection, whichever is less.

All dimensions are for reference only and are subject to change.
Dimensions in parentheses are millimeters (mm).

