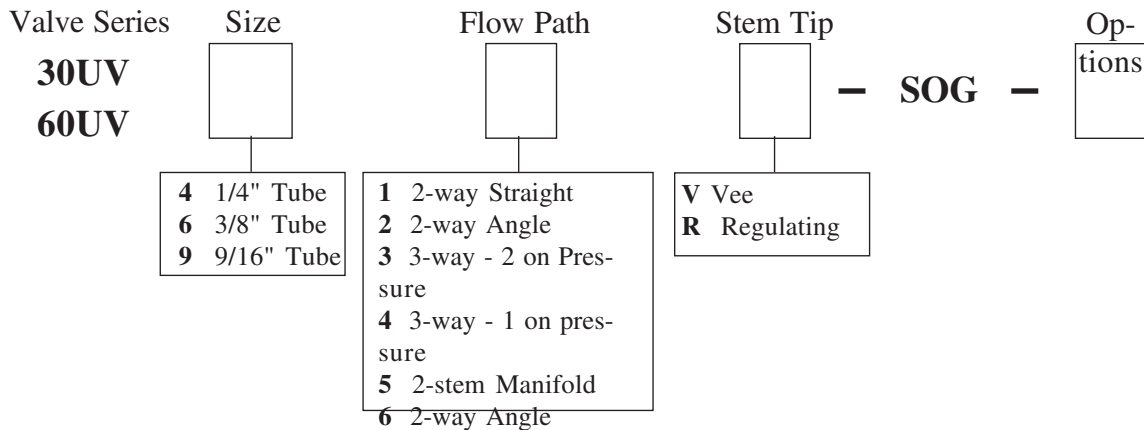


ORDERING INFORMATION & REPLACEMENT PARTS



Examples:

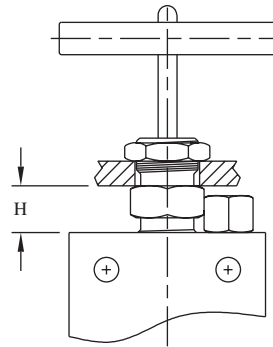
30UV42V-SOG specifies a 2-way angle valve for 1/4" tube with a Vee stem

60UV91R-SOG-PM specifies a 2-way straight valve for 9/16" tube with regulating stem and panel-mount packing gland option

Panel Mount Option

-PM Panel-mount packing gland

Valve Model	Panel Hole Size	Max Panel Thickness	H
30UV	0.84" (21.3)	0.37" (9.4)	0.48" (12.2)
60UV	0.84" (21.3)	0.37" (9.4)	0.48" (12.2)



Replacement Parts

BuTech offers replacement parts in a variety of packages so you can purchase just the parts you need.

Replacement Stem Kit contains just the stem

Replacement Packing Kit contains all soft packing rings

Repair Kits contain stem, stem sleeve, stem nuts and washers, packings and packing washers (replacement seat where applicable)

Valve Series	Repair Kits		Replacement Stem	Replacement Packings	Replacement Valve Body
	All others	Replaceable Seat			
30UV4	RK-30UV4*-SOG	RK-30UV46*-SOG	30S4*-SOG	30PK4	30UV4+-SOG
30UV6	RK-30UV6*-SOG	RK-30UV66*-SOG	30S6*-SOG	30PK6	30UV6+-SOG
30UV9	RK-30UV9*-SOG	RK-30UV96*-SOG	30S9*-SOG	30PK9	30UV9+-SOG
60UV4	RK-60UV4*-SOG	RK-60UV46*-SOG	60S4*-SOG	60PK4	60UV4+-SOG
60UV6	RK-60UV6*-SOG	RK-60UV66*-SOG	60S6*-SOG	60PK6	60UV6+-SOG
60UV9	RK-60UV9*-SOG	RK-60UV96*-SOG	60S9*-SOG	60PK9	60UV9+-SOG

*Complete catalog number by adding **V** or **R** for stem type

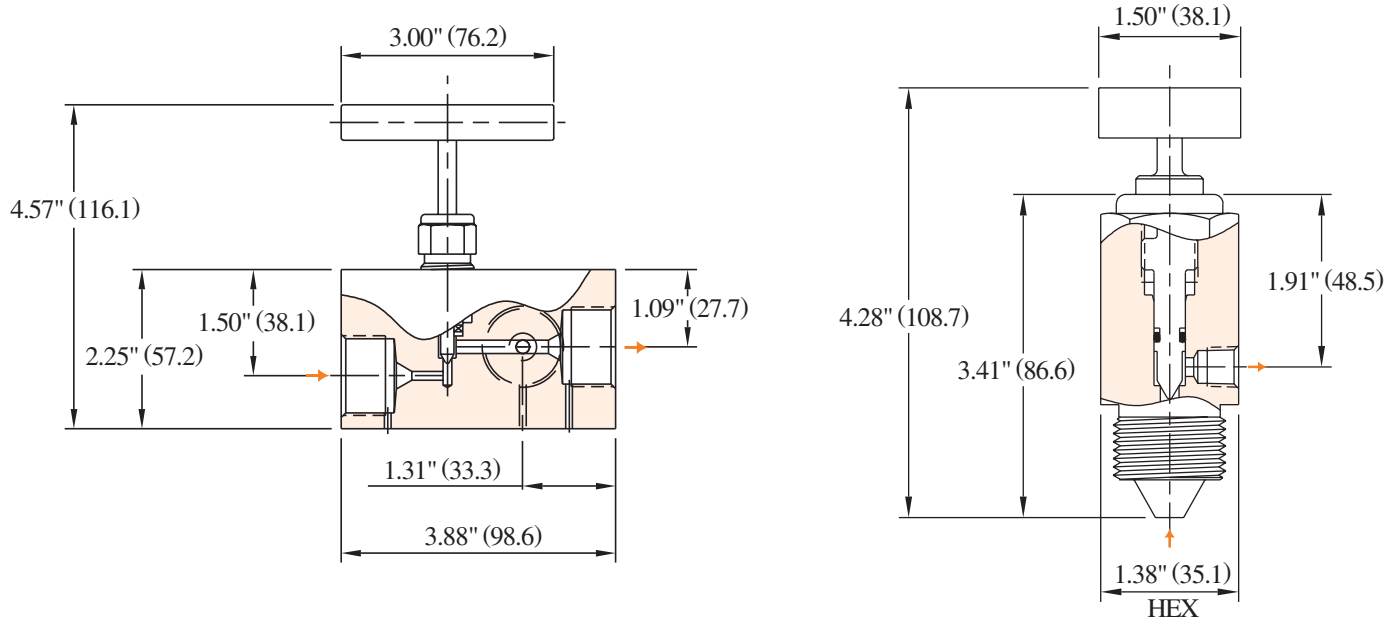
+Complete catalog number by adding the flow path designator:

- 1 2-way straight
- 2 2-way angle
- 3 3-way, 2 connections on pressure
- 4 3-way, 1 connection on pressure
- 5 2-stem manifold
- 6 2-way angle with replaceable seat

All dimensions are for reference only and are subject to change.
Dimensions in parentheses are millimeters (mm)

WELLHEAD GAUGE & BLEED VALVES

BuTech Wellhead Gauge and Bleed valves are standard 316 stainless steel annealed material for SOG service and comply with NACE MR-01-75. Special materials available on request.



Wellhead Gauge Valve 30WGV97V-SOG

- One inlet, three outlet ports
- Ideal for sampling or instrument calibration
- Packing located below stem threads
- Metal-to-metal seat for bubble-tight shutoff
- One-piece stem
- Collars & Glands not included

Bleed Valve 30ABV9H2P-SOG

- Vent port tapped for safe plumbing
- Positive blow-out prevention on stem
- Easy T-handle operation
- Metal-to-metal seat for bubble-tight shutoff
- One-piece stem
- Compatible with standard API test and gauge connections for 20,000 PSI (1380 bar) service

Catalog Number	30WGV97V-SOG	30ABV9H2P-SOG
Service	Sour Oil & Gas	Sour Oil & Gas
Inlet Port	9/16" Female H/P	9/16" Male H/P
Discharge Port	(3) 9/16" Female H/P	1/8" Female NPT
Pressure Rating at 72°F (22°C)	20,000 PSI 1380 bar	20,000 PSI 1380 bar
Standard Material Other materials available upon request	316 annealed stainless steel	316 annealed stainless steel

All dimensions are for reference only and are subject to change.
Dimensions in parentheses are millimeters (mm)



NEEDLE VALVES FOR 20,000 PSI (1380 BAR)

1/4" H/P TUBE
CONED AND THREADED

2-way Straight

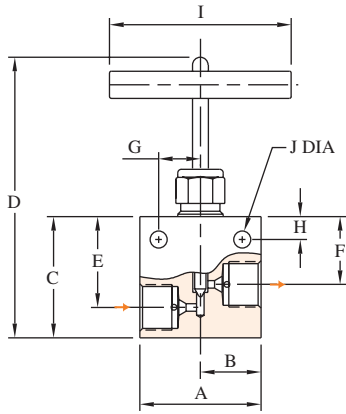


Figure 1

2-way Angle

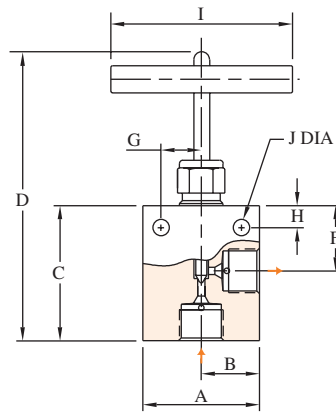


Figure 2

3-way Two on Pressure

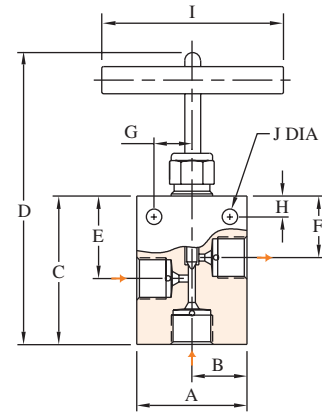


Figure 3

Catalog Number	Stem Style	A	B	C	D	E	F	G	H	I	J	K	L	Thk.	Fig
30UV41V-SOG	Vee	2.00"	1.00"	2.00"	4.77"	1.50"	1.12"	0.69"	0.38"	3.00"	0.28"	---	---	1.00"	1
30UV41R-SOG	Reg	(50.8)	(25.4)	(50.8)	(121.2)	(38.1)	(28.4)	(17.5)	(9.7)	(76.2)	(7.1)	---	---	(25.4)	
30UV42V-SOG	Vee	2.00"	1.00"	2.00"	4.77"	---	1.12"	0.69"	0.38"	3.00"	0.28"	---	---	1.00"	2
30UV42R-SOG	Reg	(50.8)	(25.4)	(50.8)	(121.2)	---	(28.4)	(17.5)	(9.7)	(76.2)	(7.1)	---	---	(25.4)	
30UV43V-SOG	Vee	2.00"	1.00"	2.12"	4.89"	1.50"	1.12"	0.69"	0.38"	3.00"	0.28"	---	---	1.00"	3
30UV43R-SOG	Reg	(50.8)	(25.4)	(53.8)	(124.2)	(38.1)	(28.4)	(17.5)	(9.7)	(76.2)	(7.1)	---	---	(25.4)	
30UV44V-SOG	Vee	2.00"	1.00"	2.00"	4.77"	1.12"	1.12"	0.69"	0.38"	3.00"	0.28"	---	---	1.00"	4
30UV44R-SOG	Reg	(50.8)	(25.4)	(50.8)	(121.2)	(28.4)	(28.4)	(17.5)	(9.7)	(76.2)	(7.1)	---	---	(25.4)	
30UV45V-SOG	Vee	2.00"	1.00"	3.06"	8.60"	1.53"	1.12"	0.69"	0.38"	3.00"	0.28"	---	---	1.00"	5
30UV45R-SOG	Reg	(50.8)	(25.4)	(77.7)	(218.4)	(38.9)	(28.4)	(17.5)	(9.7)	(76.2)	(7.1)	---	---	(25.4)	
30UV46V-SOG	Vee	2.00"	1.00"	2.38"	5.15"	---	1.12"	0.69"	0.38"	3.00"	0.28"	0.75"	1.47"	1.00"	6
30UV46R-SOG	Reg	(50.8)	(25.4)	(60.5)	(130.8)	---	(28.4)	(17.5)	(9.7)	(76.2)	(7.1)	(19.1)	(37.3)	(25.4)	

See page SOG-1 for orifice and Cv

3-way One on Pressure

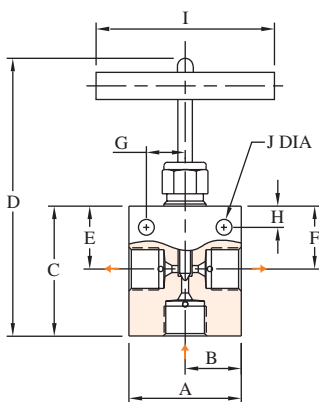


Figure 4

2-stem Manifold

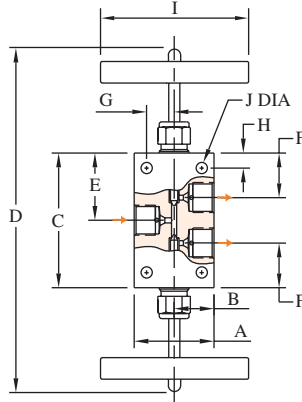


Figure 5

Replaceable Seat

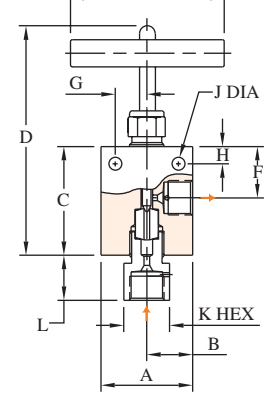


Figure 6

All dimensions are for reference only and are subject to change.
Dimensions in parentheses are millimeters (mm)

NEEDLE VALVES FOR 20,000 PSI (1380 BAR)

**3/8" H/P TUBE
CONED AND THREADED**

2-way Straight

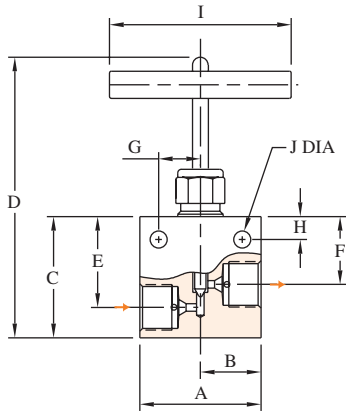


Figure 1

2-way Angle

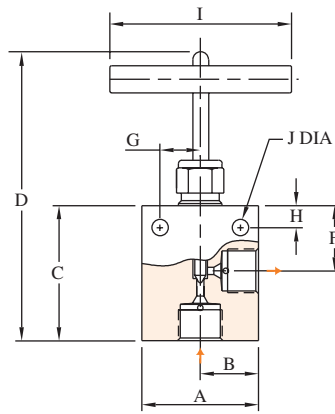


Figure 2

3-way Two on Pressure

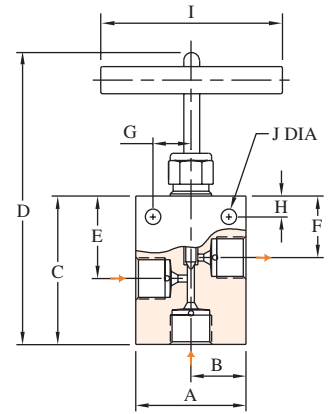


Figure 3

Catalog Number	Stem Style	A	B	C	D	E	F	G	H	I	J	K	L	Thk.	Fig
30UV61V-SOG	Vec	2.00"	1.00"	2.00"	4.77"	1.50"	1.12"	0.69"	0.38"	3.00"	0.28"	---	---	1.00"	1
30UV61R-SOG	Reg	(50.8)	(25.4)	(50.8)	(121.2)	(38.1)	(28.4)	(17.5)	(9.7)	(76.2)	(7.1)	---	---	(25.4)	
30UV62V-SOG	Vec	2.00"	1.00"	2.12"	4.89"	---	1.12"	0.69"	0.38"	3.00"	0.28"	---	---	1.00"	2
30UV62R-SOG	Reg	(50.8)	(25.4)	(53.8)	(124.2)	---	(28.4)	(17.5)	(9.7)	(76.2)	(7.1)	---	---	(25.4)	
30UV63V-SOG	Vec	2.00"	1.00"	2.50"	5.32"	1.50"	1.12"	0.69"	0.38"	3.00"	0.28"	---	---	1.00"	3
30UV63R-SOG	Reg	(50.8)	(25.4)	(63.5)	(135.1)	(38.1)	(28.4)	(17.5)	(9.7)	(76.2)	(7.1)	---	---	(25.4)	
30UV64V-SOG	Vec	2.00"	1.00"	2.12"	4.89"	1.12"	1.12"	0.69"	0.38"	3.00"	0.28"	---	---	1.00"	4
30UV64R-SOG	Reg	(50.8)	(25.4)	(53.8)	(124.2)	(28.4)	(28.4)	(17.5)	(9.7)	(76.2)	(7.1)	---	---	(25.4)	
30UV65V-SOG	Vec	2.00"	1.00"	3.25"	8.79"	1.62"	1.12"	0.69"	0.38"	3.00"	0.28"	---	---	1.00"	5
30UV65R-SOG	Reg	(50.8)	(25.4)	(82.6)	(223.3)	(41.1)	(28.4)	(17.5)	(9.7)	(76.2)	(7.1)	---	---	(25.4)	
30UV66V-SOG	Vec	2.00"	1.00"	2.38"	5.15"	---	1.12"	0.69"	0.38"	3.00"	0.28"	1.00"	1.15"	1.00"	6
30UV66R-SOG	Reg	(50.8)	(25.4)	(60.5)	(130.8)	---	(28.4)	(17.5)	(9.7)	(76.2)	(7.1)	(25.4)	(29.2)	(25.4)	

See page SOG-1 for orifice and Cv

3-way One on Pressure

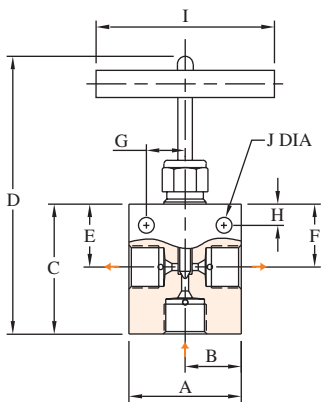


Figure 4

2-stem Manifold

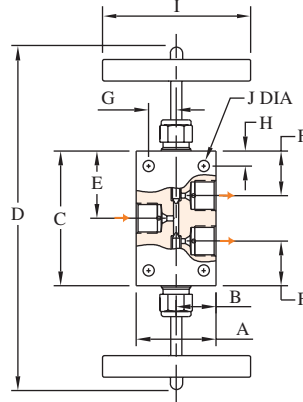


Figure 5

Replaceable Seat

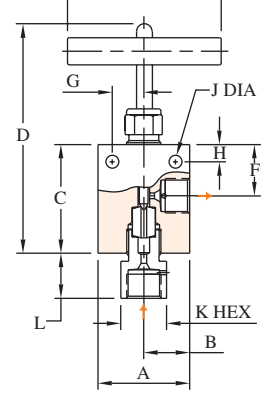


Figure 6

All dimensions are for reference only and are subject to change.
Dimensions in parentheses are millimeters (mm)



NEEDLE VALVES FOR 20,000 PSI (1380 BAR)

9/16" H/P TUBE
CONED AND THREADED

2-way Straight

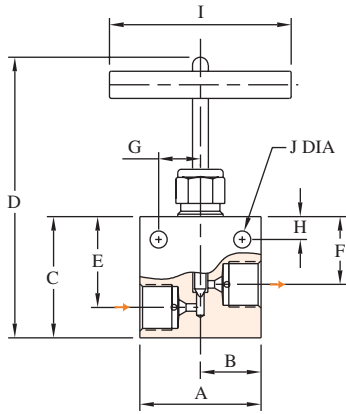


Figure 1

2-way Angle

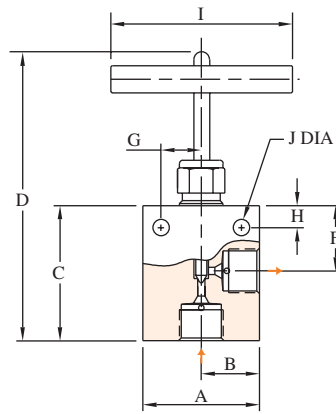


Figure 2

3-way Two on Pressure

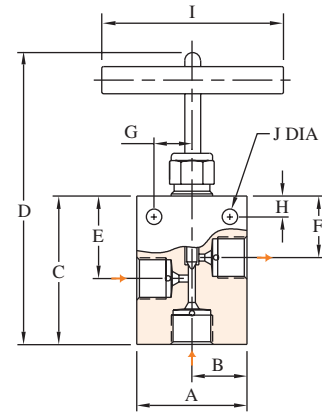


Figure 3

Catalog Number	Stem Style	A	B	C	D	E	F	G	H	I	J	K	L	Thk.	Fig
30UV91V-SOG	Vee	2.62"	1.31"	2.44"	5.20"	1.56"	1.12"	0.69"	0.38"	3.00"	0.25"	---	---	1.50"	1
30UV91R-SOG	Reg	(66.5)	(33.3)	(62.0)	(132.1)	(39.6)	(28.4)	(17.5)	(9.7)	(76.2)	(6.4)	---	---	(38.1)	
30UV92V-SOG	Vee	2.62"	1.31"	3.00"	5.44"	---	1.62"	0.69"	0.38"	3.00"	0.28"	---	---	1.50"	2
30UV92R-SOG	Reg	(66.5)	(33.3)	(76.2)	(138.2)	---	(41.1)	(17.5)	(9.7)	(76.2)	(7.1)	---	---	(38.1)	
30UV93V-SOG	Vee	2.62"	1.31"	2.88"	5.65"	1.56"	1.12"	0.69"	0.38"	3.00"	0.28"	---	---	1.50"	3
30UV93R-SOG	Reg	(66.5)	(33.3)	(73.2)	(143.5)	(39.6)	(28.4)	(17.5)	(9.7)	(76.2)	(7.1)	---	---	(38.1)	
30UV94V-SOG	Vee	2.62"	1.31"	2.44"	5.21"	1.12"	1.12"	0.69"	0.38"	3.00"	0.28"	---	---	1.50"	4
30UV94R-SOG	Reg	(66.5)	(33.3)	(62.0)	(132.3)	(28.4)	(28.4)	(17.5)	(9.7)	(76.2)	(7.1)	---	---	(38.1)	
30UV95V-SOG	Vee	2.62"	1.31"	4.75"	10.29"	2.38"	1.62"	0.69"	0.50"	3.00"	0.28"	---	---	1.50"	5
30UV95R-SOG	Reg	(66.5)	(33.3)	(120.7)	(261.4)	(60.5)	(41.1)	(17.5)	(12.7)	(76.2)	(7.1)	---	---	(38.1)	
30UV96V-SOG	Vee	2.62"	1.31"	2.44"	5.21"	---	1.19"	0.69"	0.38"	3.00"	0.28"	1.38"	1.65"	1.50"	6
30UV96R-SOG	Reg	(66.5)	(33.3)	(62.0)	(132.3)	---	(30.2)	(17.5)	(9.7)	(76.2)	(7.1)	(35.1)	(41.9)	(38.1)	

See page SOG-1 for orifice and Cv

3-way One on Pressure

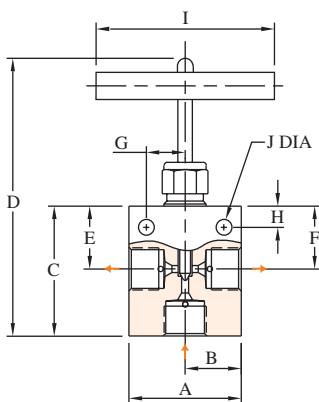


Figure 4

2-stem Manifold

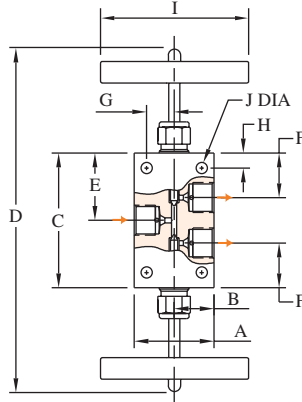


Figure 5

Replaceable Seat

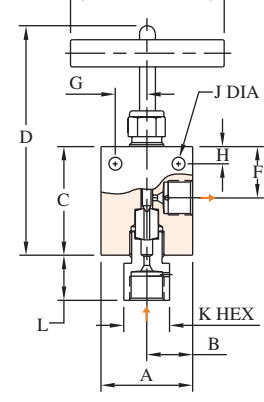


Figure 6

All dimensions are for reference only and are subject to change.
Dimensions in parentheses are millimeters (mm)

NEEDLE VALVES FOR 30,000 PSI (2070 BAR)

1/4" H/P TUBE
CONED AND THREADED

2-way Straight

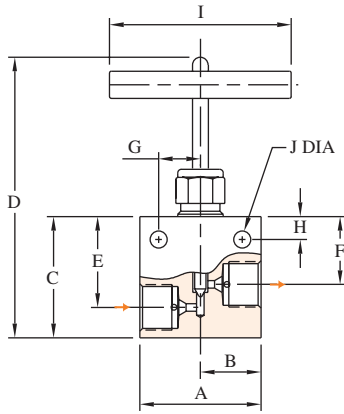


Figure 1

2-way Angle

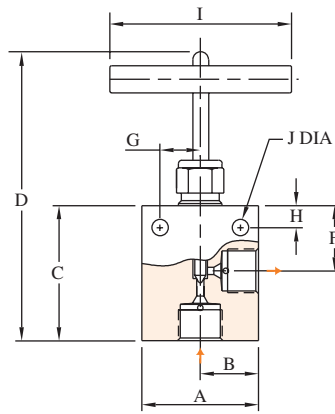


Figure 2

3-way Two on Pressure

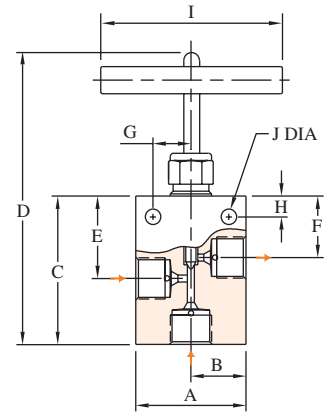


Figure 3

Catalog Number	Stem Style	A	B	C	D	E	F	G	H	I	J	K	L	Thk.	Fig
60UV41V-SOG	Vec	2.00"	1.00"	2.12"	4.90"	1.69"	1.31"	0.69"	0.38"	3.00"	0.25"	---	---	1.00"	1
60UV41R-SOG	Reg	(50.8)	(25.4)	(53.8)	(124.5)	(42.9)	(33.3)	(17.5)	(9.7)	(76.2)	(6.4)	---	---	(25.4)	
60UV42V-SOG	Vec	2.00"	1.00"	2.38"	5.16"	---	1.31"	0.69"	0.38"	3.00"	0.25"	---	---	1.00"	2
60UV42R-SOG	Reg	(50.8)	(25.4)	(60.5)	(131.1)	---	(33.3)	(17.5)	(9.7)	(76.2)	(6.4)	---	---	(25.4)	
60UV43V-SOG	Vec	2.00"	1.00"	2.38"	5.16"	1.69"	1.31"	0.69"	0.38"	3.00"	0.25"	---	---	1.00"	3
60UV43R-SOG	Reg	(50.8)	(25.4)	(60.5)	(131.1)	(42.9)	(33.3)	(17.5)	(9.7)	(76.2)	(6.4)	---	---	(25.4)	
60UV44V-SOG	Vec	2.00"	1.00"	2.38"	5.16"	1.31"	1.31"	0.69"	0.38"	3.00"	0.25"	---	---	1.00"	4
60UV44R-SOG	Reg	(50.8)	(25.4)	(60.5)	(131.1)	(33.3)	(33.3)	(17.5)	(9.7)	(76.2)	(6.4)	---	---	(25.4)	
60UV45V-SOG	Vec	2.00"	1.00"	3.44"	9.00"	1.72"	1.31"	0.69"	0.38"	3.00"	0.25"	---	---	1.00"	5
60UV45R-SOG	Reg	(50.8)	(25.4)	(87.4)	(228.6)	(43.7)	(33.3)	(17.5)	(9.7)	(76.2)	(6.4)	---	---	(25.4)	
60UV46V-SOG	Vec	2.00"	1.00"	2.62"	5.40"	---	1.31"	0.69"	0.38"	3.00"	0.25"	0.75"	1.29"	1.00"	6
60UV46R-SOG	Reg	(50.8)	(25.4)	(66.5)	(137.2)	---	(33.3)	(17.5)	(9.7)	(76.2)	(6.4)	(19.1)	(32.8)	(25.4)	

See page SOG-1 for orifice and Cv

3-way One on Pressure

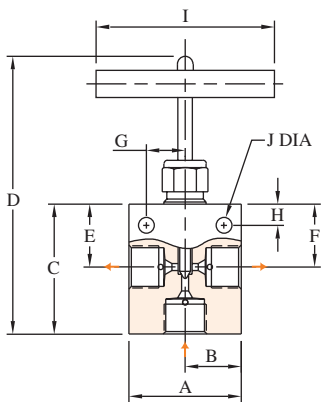


Figure 4

2-stem Manifold

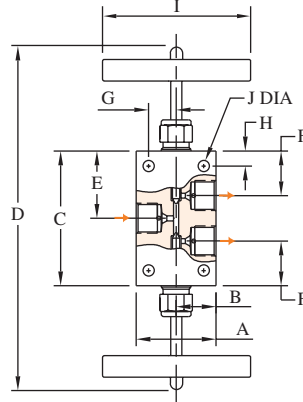


Figure 5

Replaceable Seat

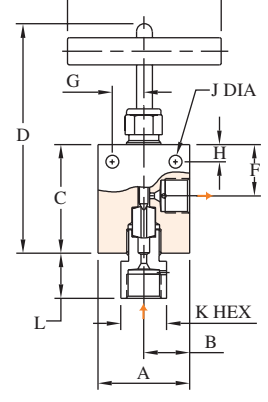


Figure 6

All dimensions are for reference only and are subject to change.
Dimensions in parentheses are millimeters (mm)



NEEDLE VALVES FOR 30,000 PSI (2070 BAR)

3/8" H/P TUBE
CONED AND THREADED

2-way Straight

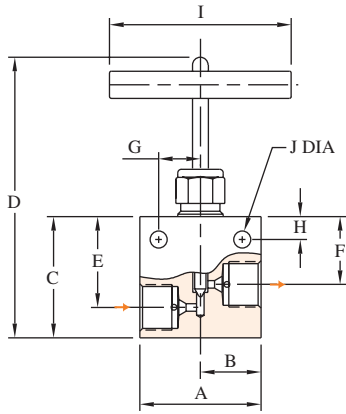


Figure 1

2-way Angle

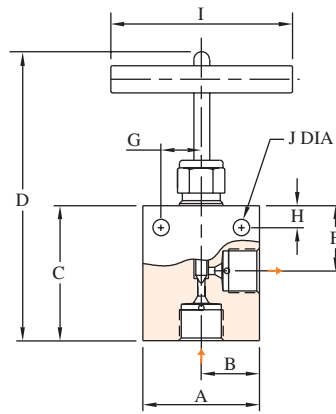


Figure 2

3-way Two on Pressure

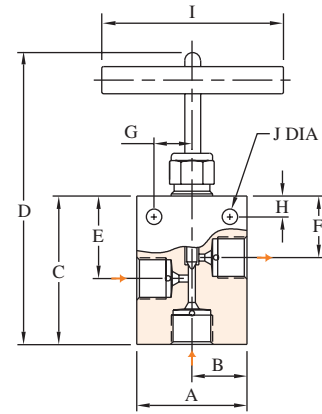


Figure 3

Catalog Number	Stem Style	A	B	C	D	E	F	G	H	I	J	K	L	Thk.	Fig
60UV61V-SOG	Vee	2.00"	1.00"	2.25"	5.03"	1.69"	1.31"	0.69"	0.38"	3.00"	0.25"	---	---	1.00"	1
60UV61R-SOG	Reg	(50.8)	(25.4)	(57.2)	(127.8)	(42.9)	(33.3)	(17.5)	(9.7)	(76.2)	(6.4)	---	---	(25.4)	
60UV62V-SOG	Vee	2.00"	1.00"	2.62"	5.40"	---	1.31"	0.69"	0.38"	3.00"	0.25"	---	---	1.00"	2
60UV62R-SOG	Reg	(50.8)	(25.4)	(66.5)	(137.2)	---	(33.3)	(17.5)	(9.7)	(76.2)	(6.4)	---	---	(25.4)	
60UV63V-SOG	Vee	2.00"	1.00"	2.75"	5.53"	1.69"	1.31"	0.69"	0.38"	3.00"	0.25"	---	---	1.00"	3
60UV63R-SOG	Reg	(50.8)	(25.4)	(69.9)	(140.5)	(42.9)	(33.3)	(17.5)	(9.7)	(76.2)	(6.4)	---	---	(25.4)	
60UV64V-SOG	Vee	2.00"	1.00"	2.62"	5.40"	1.31"	1.31"	0.69"	0.38"	3.00"	0.25"	---	---	1.00"	4
60UV64R-SOG	Reg	(50.8)	(25.4)	(66.5)	(137.2)	(33.3)	(33.3)	(17.5)	(9.7)	(76.2)	(6.4)	---	---	(25.4)	
60UV65V-SOG	Vee	2.00"	1.00"	3.75"	9.31"	1.88"	1.31"	0.69"	0.38"	3.00"	0.25"	---	---	1.00"	5
60UV65R-SOG	Reg	(50.8)	(25.4)	(95.3)	(236.5)	(47.8)	(33.3)	(17.5)	(9.7)	(76.2)	(6.4)	---	---	(25.4)	
60UV66V-SOG	Vee	2.00"	1.00"	2.62"	5.40"	---	1.31"	0.69"	0.38"	3.00"	0.25"	1.00"	1.21"	1.00"	6
60UV66R-SOG	Reg	(50.8)	(25.4)	(66.5)	(137.2)	---	(33.3)	(17.5)	(9.7)	(76.2)	(6.4)	(25.4)	(30.7)	(25.4)	

See page SOG-1 for orifice and Cv

3-way One on Pressure

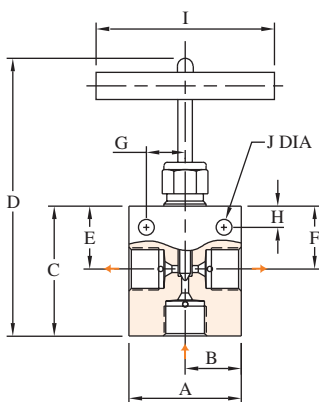


Figure 4

2-stem Manifold

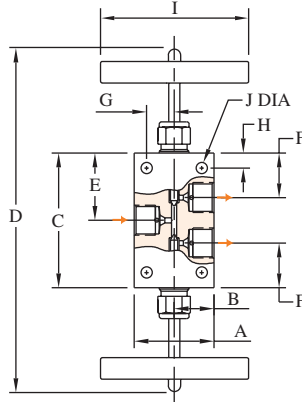


Figure 5

Replaceable Seat

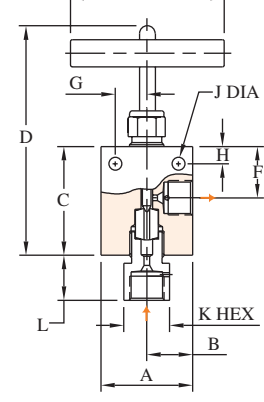


Figure 6

All dimensions are for reference only and are subject to change.
Dimensions in parentheses are millimeters (mm)

NEEDLE VALVES FOR 30,000 PSI (2070 BAR)

9/16" H/P TUBE
CONED AND THREADED

2-way Straight

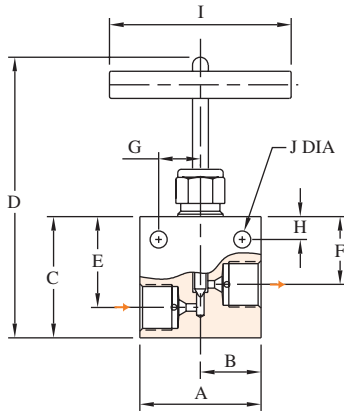


Figure 1

2-way Angle

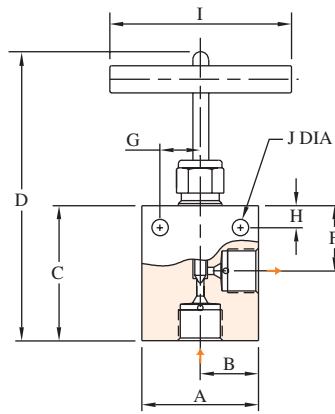


Figure 2

3-way Two on Pressure

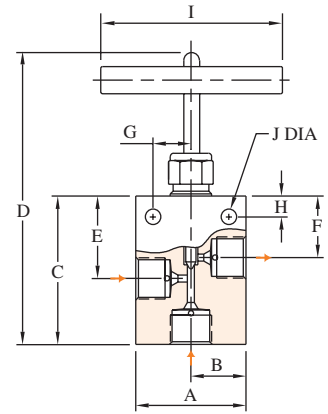


Figure 3

Catalog Number	Stem Style	A	B	C	D	E	F	G	H	I	J	K	L	Thk.	Fig
60UV91V-SOG	Vec	2.62"	1.31"	2.50"	5.28"	1.69"	1.31"	0.69"	0.38"	3.00"	0.28"	---	---	1.50"	1
60UV91R-SOG	Reg	(66.5)	(33.3)	(63.5)	(134.1)	(42.9)	(33.3)	(17.5)	(9.7)	(76.2)	(7.1)	---	---	(38.1)	
60UV92V-SOG	Vec	2.62"	1.31"	2.81"	5.59"	---	1.31"	0.69"	0.38"	3.00"	0.28"	---	---	1.50"	2
60UV92R-SOG	Reg	(66.5)	(33.3)	(71.4)	(142.0)	---	(33.3)	(17.5)	(9.7)	(76.2)	(7.1)	---	---	(38.1)	
60UV93V-SOG	Vec	2.62"	1.31"	3.03"	5.81"	1.75"	1.31"	0.69"	0.38"	3.00"	0.28"	---	---	1.50"	3
60UV93R-SOG	Reg	(66.5)	(33.3)	(77.0)	(147.6)	(44.5)	(33.3)	(17.5)	(9.7)	(76.2)	(7.1)	---	---	(38.1)	
60UV94V-SOG	Vec	2.62"	1.31"	2.81"	5.59"	1.31"	1.31"	0.69"	0.38"	3.00"	0.28"	---	---	1.50"	4
60UV94R-SOG	Reg	(66.5)	(33.3)	(71.4)	(142.0)	(33.3)	(33.3)	(17.5)	(9.7)	(76.2)	(7.1)	---	---	(38.1)	
60UV95V-SOG	Vec	2.62"	1.31"	4.12"	9.68"	2.06"	1.31"	0.69"	0.50"	3.00"	0.28"	---	---	1.50"	5
60UV95R-SOG	Reg	(66.5)	(33.3)	(104.6)	(245.9)	(52.3)	(33.3)	(17.5)	(12.7)	(76.2)	(7.1)	---	---	(38.1)	
60UV96V-SOG	Vec	2.62"	1.31"	2.62"	5.40"	---	1.31"	0.69"	0.38"	3.00"	0.28"	1.38"	1.39"	1.50"	6
60UV96R-SOG	Reg	(66.5)	(33.3)	(66.5)	(137.2)	---	(33.3)	(17.5)	(9.7)	(76.2)	(7.1)	(35.1)	(35.3)	(38.1)	

See page SOG-1 for orifice and Cv

3-way One on Pressure

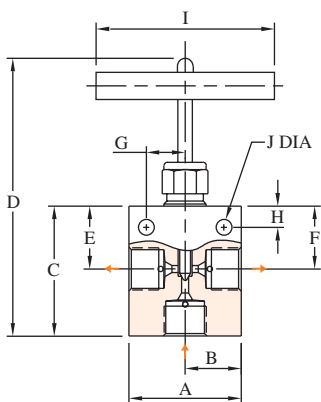


Figure 4

2-stem Manifold

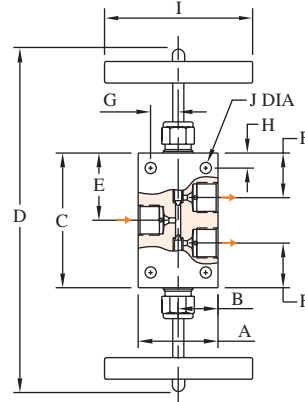


Figure 5

Replaceable Seat

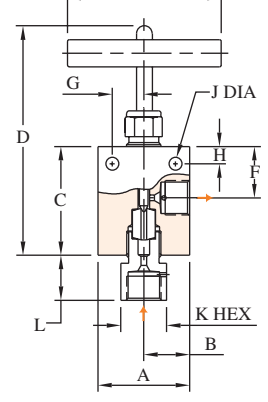


Figure 6

All dimensions are for reference only and are subject to change.
Dimensions in parentheses are millimeters (mm)

