

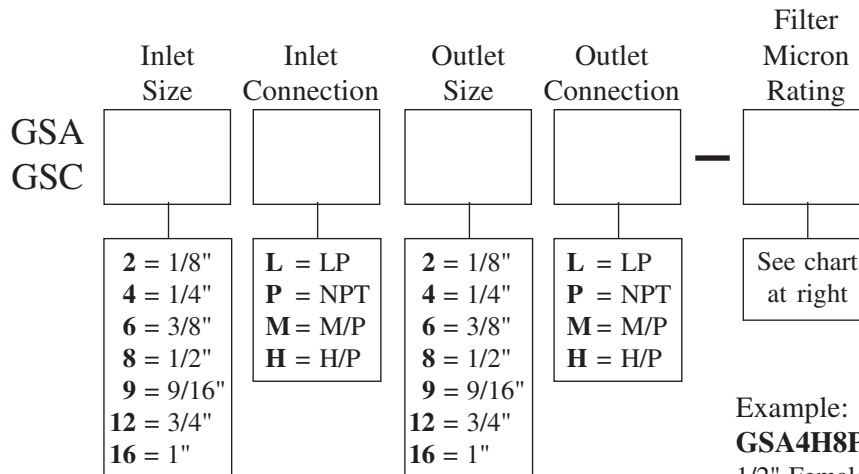
THERMOCOUPLES & GAUGE SNUBBERS

BuTech Thermocouples permit quick and accurate temperature monitoring at any point in the system. Sheath lengths are standardized for use with any tee or cross shown in this catalog. To order custom lengths, add the desired length to the catalog number. (Example: 20TCJ6-8" would be an 8" sheath length that would fit into the standard 3/8" M/P connection.)



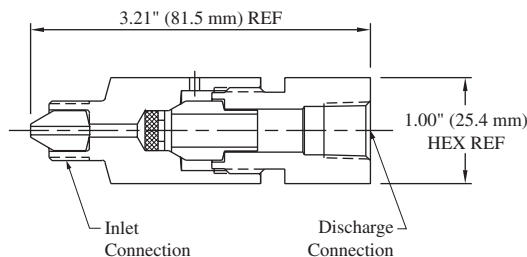
- Standard quick connectors, both male and female, supplied with thermocouple
- Small diameter sheath to give fast response time
- Sheath has grounded junction
- 300 series SS sheath standard, other materials available on request
- Can be directly installed into any standard tee or cross.
- Working pressures to 60,000 PSI (4140 bar)
- 1/4" thermocouple supplied complete with collar and gland; other sizes supplied complete with 316SS adapter and necessary collars and glands to fit into standard connection.
- Standard thermocouples available with either type J or type K calibration. Other types available on special order.
- Temperature at the tip of the thermocouple can range to 2,000°F (1093°C)

Connection	Catalog Number		MAWP
	Type J Calibration	Type K Calibration	
1/4" M/P	20TCJ4	20TCK4	20,000 PSI 1380 bar
3/8" M/P	20TCJ6	20TCK6	20,000 PSI 1380 bar
9/16" M/P	20TCJ9	20TCK9	20,000 PSI 1380 bar
3/4" M/P	20TCJ12	20TCK12	20,000 PSI 1380 bar
1" M/P	20TCJ16	20TCK16	20,000 PSI 1380 bar
1/4" H/P	60TCJ4	60TCK4	60,000 PSI 4140 bar
3/8" H/P	60TCJ6	60TCK6	60,000 PSI 4140 bar
9/16" H/P	60TCJ9	60TCK9	60,000 PSI 4140 bar



Micron Rating	Service Recommendations	Replacement Disc P/N
2	Gases, Severe Pulsing	PH-1103
5	Air, Gases, Vapors	PH-1104
10	Water, Light Oils	PH-1105
20	Heavy Oils	PH-1021

Example:
GSA4H8P-5 specifies a snubber with 1/4" H/P Male inlet and 1/2" Female NPT outlet with a 5 micron disc



BuTech Gauge Snubbers protect gauges and instruments from pressure surges and shock. This is accomplished through the use of porous sintered 316 stainless steel filter discs. BuTech gauge snubbers are available with a wide variety of connection configurations for pressures up to 60,000 PSI @ 72°F (4140 bar @ 22°C). **GSA** series has a male inlet with a female outlet, **GSC** series has female inlet and outlet.

All dimensions are for reference only and are subject to change.
 Dimensions in parentheses are millimeters (mm).