

ULTIMATE HYGIENE FOR 100 YEARS WITH AQUACERAMIC AND HYPERCLEAN



grohe.com

AQUACERAMIC DOUBLE THE PROTECTION FROM IMPURITIES

It creates a smooth surface that impurities can't stick to, meaning impurities or residues cannot attach to the bowl and the powerful triple vortex flush easily cleans with one flush. This innovative surface treatment works in two ways – it uses a hydrophilic layer to prevent residues sticking to the bowl, and it uses nano-technology to prevent limescale latching onto the surface and attracting dirt and grime. The AquaCeramic surface is coated after firing and lasts more than 100 years! Even scrubbing won't wear it off. Alongside GROHE's HyperClean finish it locks out impurities and bacteria for good, making cleaning minimum of effort and maintaining the sparkling, fresh-from-the-box finish.

100 YEARS OF CLEAN AQUA CERAMIC

HYPERCLEAN NO CHANCE FOR BACTERIA TO GROW

Take confidence that your bathroom is hygienic and clean with HyperClean, which uses naturally anti-bacterial silver ions to inhibit germs and prevent stains and odour. During the glazing process this exceptionally smooth and hardwearing finish is added which prevents 99.9% of bacteria growth, meaning your ceramics stay sparklingly clean and germ-free with the minimum of effort. Take peace of mind from this feature, certified by the Society of Industrial Technology for Antimicrobial Articles, guaranteed to make your bathroom a safer, cleaner and germ free place for you and your family.

EASILY CLEAN – WITH ONE FLUSH



with AquaCeramic without AquaCeramic

Technical Data

Consumption	
Flushing water volume Full / Half Flush ¹	3L/4.5L
Energy consumption (stand-by)(W)	<0.79W
Rated power consumption	1,300W
Energy consumption for 1 year (estimated 4 person household) ¹	102KWh/Year
Spray water flow rate (Rear Spray / Lady shower)	0.4 - 0.5 (L/min)

Connections	
Water pressure	0.10 - 0.75 MPa
Water connection	1/2"
Outlet direction	S (Vertical)
Power supply	220 - 240 V AC
Frequency	50 / 60 Hz

Comfort	
Water temperature	32°C - 40°C
Dryer temperature	40°C - 55°C
Dryer air flow rate	18m ³ /h
Odor absorption air flow rate	2.4m ³ /h
Seat heating temperature	28°C - 36°C
Warm water supply	unlimited
Weight (Kg)	41.5 Kg

Certification	
IP class	IP x 4 (Protection against water splashing from all direction)
Norms	GB
	CCC
SIAA (anti-bacteria)	Type of anti-bacterial agent used: Inorganic anti-bacterial agent
	Method of anti-bacterial treatment: Firing
	Anti-bacterial treatment portion: Water flowing surface
	Registration number: JP0122008A0038Z

¹GROHE internal calculation (4 persons/family). Use of toilet: 16 times per day.

VISIT US ONLINE GROHE.MY

Follow us



GROHE MALAYSIA SDN BHD 201101010715 (938845W)
National Toll-free Line: 1800 80 6570 | E: customerservices.my@lixil.com

This information contained is subject to change and cannot form part of an offer or contract. While every reasonable care has been taken in providing this information, the owner or its agents cannot be held responsible for any inaccuracies. Whilst we believe the contents of this brochure to be correct and accurate at time of print, they are not to be regarded as statements or representations of fact.

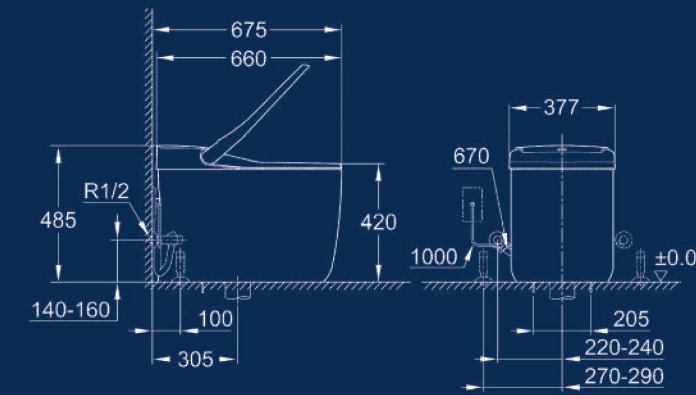
© 03/2023 - Copyright by GROHE

TECHNOLOGY YOU CAN RELY ON

From installation to water consumption you can trust GROHE engineering and technology to ensure everything works perfectly, with optimum performance, ease and efficiency.



Register your GROHE Sensia® Arena and benefit twice!
<https://product-registration.grohe.com/>



GROHE Sensia® Arena Floorstanding
***RM 19,888**
RRP RM40,610
Please check with in-store sales personnel for more info. TEC apply.

Authorized GROHE Distributor and Dealer:

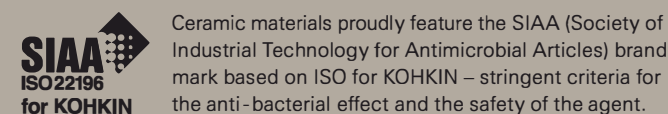


Pure Freude an Wasser



INTELLIGENT CARE

REDEFINING A NEW LEVEL OF HYGIENE
GROHE SENSIA ARENA



Ceramic materials proudly feature the SIAA (Society of Industrial Technology for Antimicrobial Articles) brand mark based on ISO for KOHKIN – stringent criteria for the anti-bacterial effect and the safety of the agent.

PART OF LIXIL

INNOVATIVE DEVELOPMENTS FOR ULTIMATE TOILET HYGIENE

grohe.com



GROHE HYGIENECLEAN

Outstanding hygiene features provide ultimate cleanliness. Combining our leading-edge anti-stick coating AquaCeramic and the HyperClean glaze that prevents the growth of 99.9% of germs you can be confident that your ceramic will stay clean for 100 years.



PLASMACLUSTER

Positive and negative ions are released inside the toilet bowl, oxidising and eliminating bacteria for a germ-free environment.



AQUACERAMIC

Creates a smooth hydrophilic layer on the ceramic surface that dirt and limescale can't stick to. Makes your toilet 100 years clean!



HYPERCLEAN

This exceptionally smooth and hardwearing glaze uses silver ions to prevent 99.9% of bacteria growth, keeping your ceramic sparkling clean and germ-free.



GROHE POWERFLUSH

Strong vortex action creates a high-suction force for an extra-powerful flush, thoroughly cleaning all corners of the toilet bowl.



TRIPLE VORTEX

Three water outlets create a powerful vortex effect with each flush, covering and cleaning every corner of the bowl for ultimate hygiene.



RIMLESS TOILET BOWL

The rimless toilet bowl allows easier cleaning. No dirt collects on the rim, and the interior of the bowl is clean and bright.



SKIN CLEAN

GROHE's shower toilet spray technology lets you choose spray type, spray strength and position individually. Developed to give you an experience of cleansing that is powerful yet still gentle, always precise and tailored to your taste.



AUTOMATIC CLEANING

Spray arm heads are cleaned before and after each use.



ANTI-BACTERIAL SPRAY NOZZLE

Made from 99.9% anti-bacterial material, certified by the SIAA, the spray nozzle stays germ-free at all times.



ANTI-BACTERIAL NOZZLE GUARD

The spray arms are protected behind a removable 99.9% anti-bacterial nozzle guard for total hygiene.



EXCHANGEABLE SPRAY HEAD

The spray arm can be easily replaced.



QUICK – RELEASE SEAT¹

A special hinge allows easy removal of the toilet seat for cleaning.



GROHE HygieneClean

grohe.com

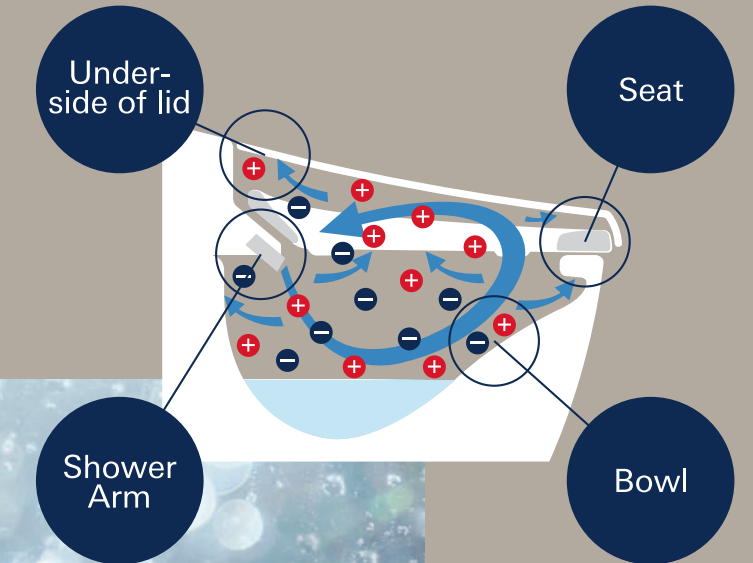
PLASMACLUSTER INNOVATIVE BACTERIA ELIMINATING TECHNOLOGY



GROHE PLASMACLUSTER ELIMINATES GERMS ON CONTACT

Our radical PlasmaCluster air disinfecting technology actively eliminates bacteria inside the bowl and on the ceramic surface. The PlasmaCluster releases positive and negative ions inside the toilet bowl. These attach themselves to bacteria, oxidising them and making them safely inactive for a germ-free environment. Airborne ions already exist in nature, making this a completely natural and proven safe feature.

Bacteria-eliminating ions reach every corner of the bowl



Positive and negative ions eliminate bacteria

¹Only seat lid can be taken out