



2024
MAJOR APPLIANCES
PROMOTION

1st April 2024 until 30th Sept 2024

ABOUT SMEG



SMEG

A GLOBAL BRAND

Smeg is an Italian home appliance manufacturer based in Guastalla, near Reggio Emilia in the north of the country. Smeg has 16 subsidiaries worldwide (in the UK, France, Belgium, the Netherlands, Germany, Sweden, Denmark, Spain, Portugal, Russia, Ukraine, Kazakhstan, South Africa, USA, Australia and Mozambique), overseas offices in Hong Kong and Saudi Arabia and an extensive sales network.

For over 60 years now, Smeg appliances have come to be seen as tasteful and elegant solutions to the demands of contemporary living as a result of the company's partnerships with world famous architects.

Not only does Smeg have a unique profile in terms of domestic appliances, it is also renowned in professional business sectors. The Foodservice and Instruments divisions specialise in the area of large-scale restaurant/catering appliances and electro-medical instruments respectively.

The Smeg Group, thanks to a corporate culture which dictates that maximum emphasis be placed on product quality, technology and design, is consequently known all over the globe as one of the key representatives of "Made in Italy" standards.



Get a Smeg Hand Blender HBF22 for only RM299

(HBF22, valued @ RM 1,310.00)

PURCHASE WITH PURCHASE
when you purchase at minimum
RM9,999 worth of Smeg MAJOR
appliances in a single invoice / receipt.

Colours available :

HBF22CR - Cream, HBF22BL- Black, PHBF22PB - Pastel Blue, HBF22RD - Red

Remarks :

- Each customer is entitled to one PWP item per sales invoice / receipt
- PWP will be subjected to stock availability and while stock lasts.
- We reserve the right to amend or withdraw this promotion at any time without prior notice.
- Not valid with any other promotions or offers.

OMNICHIEF OVENS



WHAT IS

GALILEO MULTICOOKING TECHNOLOGY?

It is a new technology that revolutionizes ovens from the inside thanks to professional algorithms that combine traditional cooking, microwave and steam.

A NEW ERA BEGINS IN THE KITCHEN



THE PERFECT COMBINATION OF TRADITIONAL COOKING, STEAM AND MICROWAVE



MULTICOOKING TECHNOLOGY: FASTER, EASIER, HEALTHIER

Prepare your dishes faster, getting even healthier foods. Through the Multitech and Multistep functions you can combine up to three cooking methods thanks to professional algorithms and get exceptional results.



NEW CAVITY, MANY INNOVATIONS

Lots of innovations are hidden in the new ovens: a completely renovated baffle, LED lights, an innovative new generation steam system and microwave technology.



SMART COOKING

Professional accessories and 150 automatic recipes to help you bake your favorite food.



A++ EFFICIENCY

Great attention to sustainability with 10% of energy savings.

SPEEDWAVEXL OVENS

THE BIGGEST MICROWAVE OVEN EVER

TRADITIONAL AND MICROWAVE OVENS,
SMART AND XL



MANY UNEXPECTED POSSIBILITIES FOR YOUR KITCHEN

Jam, creams, bechamel and much more. Are you ready to get surprised by SpeedwaveXL?



SPECIAL FUNCTIONS

The available special functions are: soft, melt, pop-corn, gentle defrost, pizza refractory stone, BBQ and airfry.



EXTRA SPACE, NO LIMITS

With its 60 cm height, 65 liters of capacity and 5 levels you can have a really spacious microwave oven.



QUICK AND GREEN

You can save up to 40% cooking time and respect the environment.

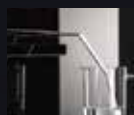
STEAM GENERATION

STEAM YOU DON'T EXPECT

THE RANGE OF OVENS THAT COMBINE
TRADITIONAL AND STEAM COOKING



EXCELLENT QUALITY, EACH AND EVERY DAY
For healthier and tastier food.



STEAM IS THE SECRET INGREDIENT

Steam is the secret ingredient, always at your disposal. Thanks to the Fill and Hide water loading system you can fill the tank without opening the oven.



NEW OPPORTUNITIES IN THE KITCHEN

Many unexpected cooking opportunities for your dishes.



SAME TIME COOKING

Foods with different cooking processes ready at the same moment. Through this function you can cook several dishes at the same time to compose a single dish, saving a lot of time.

SO6606WAPNR

60cm "Dolce Stil Novo" Wi-Fi Omnichef Galileo Multitech Oven
Glossy Black, Copper Finishing

RRP RM 38,415
PROMO **RM 28,810**



Traditional cooking functions



Cooking functions with pulsed steam



Cooking functions with steam



Microwave function



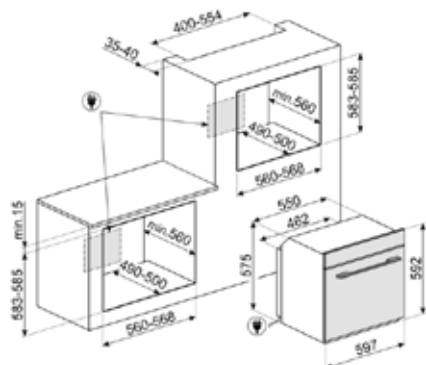
26 No. of cooking functions
150 Automatic programmes
TFT VivoScreen max display
Advanced full touch control

Smart cooking
Multi-step cooking-up to 3 steps

Temperature : 30°C to 250°C
2 no. of 5W Multilevel LED lights
Full glass inner door
4 layer of door glasses
Soft close and soft open door
Inverter and stirrer technology
Safety thermostat
Centrifugal cooling system
Speed reduction cooling system
Electronic temperature control

"Ever Clean" enamel cavity
5 cooking levels
Water tank capacity : 2 litres
Microwave effective power : 900 W

Net volume of the cavity : 68 litres
Nominal power : 3000 W
15amp power supply required



SO4602M1NR

45cm "Dolce Stil Novo" Galileo Combi Microwave Oven
Black Glossy Glass Finishing

RRP RM 16,700
PROMO **RM 12,525**



Traditional cooking functions



Microwave function

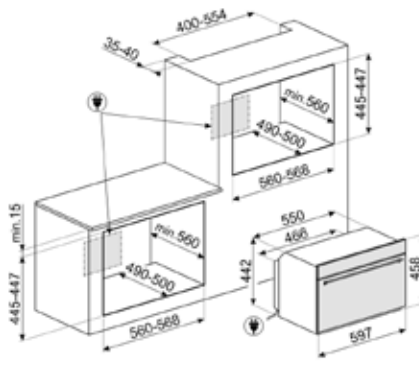


11 Cooking functions
LCD EvoScreen display
Eclipse door glass
Full touch control

Temperature : 30°C to 250°C
2 no. of 40W halogen lights
4 layer of door glasses
Temperate door
Soft close and soft open door
Safety thermostat
Tangential cooling system
Microwave screen protection
Electronic temperature control

"Ever Clean" enamel cavity
3 cooking levels

Net volume of the cavity : 40 litres
Microwave effective power : 800 W
Nominal power : 3300 W
15amp power supply required



CPRT615NR

15cm "Dolce Stil Novo" Reheat Drawer
Glossy Black with Copper Finishing

RRP RM 7,385
PROMO **RM 5,540**

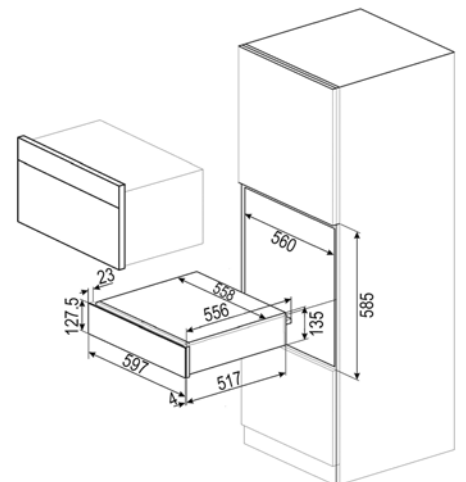


Eclipse door glass
Touch control

Programme /Functions :
Defrost
Proofing
Low temperature cooking
Mug warmer
Keep warm
Dish warmer
Reheating
Timer
Delay timer

Net volume of the cavity : 21 litres

Nominal power : 500 W
13amp power supply required



SO6102M2G

60cm "Linea" SpeedwaveXL Galileo Combi Microwave Oven
Matt Neptune Grey Finishing

RRP RM 17,970
PROMO **RM 13,480**



Traditional cooking functions



Microwave function

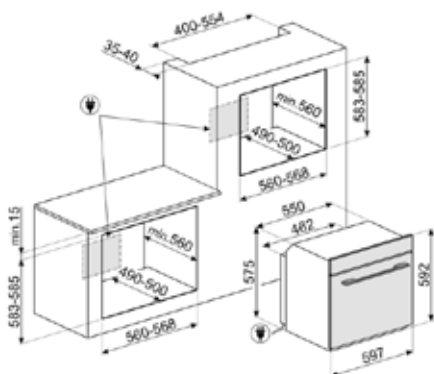


11 Cooking functions
LCD EvoScreen display
Full touch control

Temperature : 30°C to 250°C
2 no. of 40W halogen lights
4 layer of door glasses
Soft close and soft open door
Inverter and Stirrer technology
Full glass inner door
Safety thermostat
Centrifugal cooling system
Speed reduction cooling system
Electronic temperature control

"Ever Clean" enamel cavity
5 cooking levels

Net volume of the cavity : 68 litres
Nominal power : 3000 W
1.5amp power supply required



SO6102S3PG

60cm "Linea" Steam 100 Galileo Combi Steam Oven
Matt Neptune Grey Finishing

RRP RM 17,335
PROMO **RM 13,000**



Traditional cooking functions



Cooking functions with steam

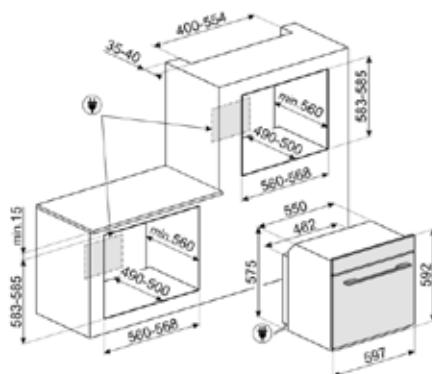


12 Cooking functions
LCD EvoScreen display
Full touch control

Temperature : 30°C to 250°C
2 no. of 40W halogen lights
3 layer of door glasses
Soft close and soft open door
Removable inner door
Full glass inner door
Safety thermostat
Tangential cooling system
Speed reduction cooling system
Electronic temperature control

"Ever Clean" enamel cavity
5 cooking levels
Water loading - Drawer, manual
Tank capacity : 0.8 litre

Net volume of the cavity : 67 litres
Nominal power : 3000 W
1.5amp power supply required



SOP6102TG

60cm "Linea" Traditional Pyrolytic Galileo Thermo-ventilated Oven
Matt Neptune Grey Finishing

RRP RM 12,200
PROMO **RM 9,150**



Traditional cooking functions

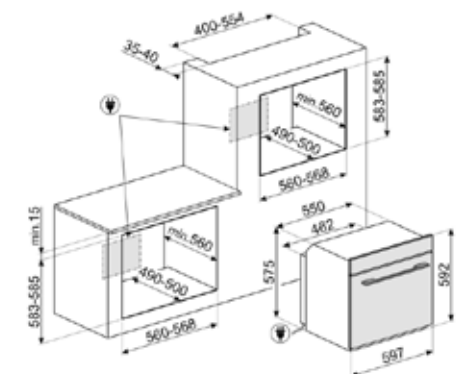


10 Cooking functions
LCD EvoScreen display
Full touch control

Temperature : 30°C to 280°C
2 no. of 40W halogen lights
4 layer of door glasses
Soft close and soft open door
Full glass inner door
Removable inner door
Safety thermostat
Tangential cooling system
Speed reduction cooling system
Electronic temperature control

"Ever Clean" enamel cavity
5 cooking levels

Net volume of the cavity : 68 litres
Nominal power : 3000 W
1.5amp power supply required



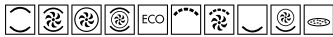
SOP6302TX

60cm "Classic" Traditional Pyrolytic Galileo Thermo-ventilated Oven
Stainless Steel Fingerproof Finishing

RRP RM 11,970
PROMO **RM 8,980**



Traditional cooking functions

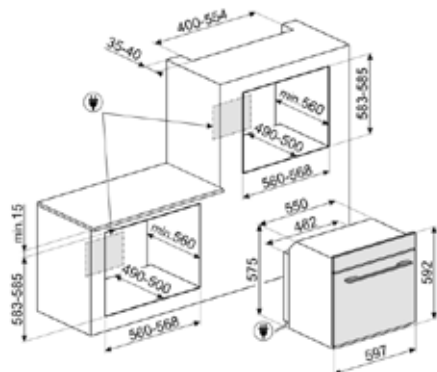


10 Cooking functions
LCD EvoScreen display
Eclipse door glass
Knobs and touch button control

Temperature : 30°C to 280°C
2 no. of 40W halogen lights
4 layer of door glasses
Soft close and soft open door
Removable door
Full glass inner door
Removable inner door
Safety thermostat
Tangential cooling system
Speed reduction cooling system
Electronic temperature control

"Ever Clean" enamel cavity
5 cooking levels

Net volume of the cavity : 68 litres
Nominal power : 3000 W
15amp power supply required



SF6381X

60cm "Classic" Fan Assisted Electric Oven
Brushed Stainless Steel Fingerproof Finishing

RRP RM 9,185
PROMO **RM 6,890**



Traditional cooking functions

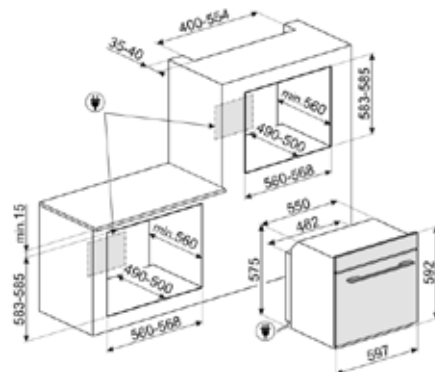


6 Cooking functions
3 Classic control knobs

Eclipse door glass
Temperature : 30°C to 250°C
1 no. of 40W halogen lights
3 layer of door glasses
Removable door
Full glass inner door
Removable inner door
Safety thermostat
Tangential cooling system
Electro-mechanical temperature control

"Ever Clean" enamel cavity
5 cooking levels

Net volume of the cavity : 70 litres
Nominal power : 3000 W
15amp power supply required



CPR315X

15cm "Classic" Reheat Drawer
Brushed Stainless Steel Fingerproof Finishing

RRP RM 7,075
PROMO **RM 5,310**

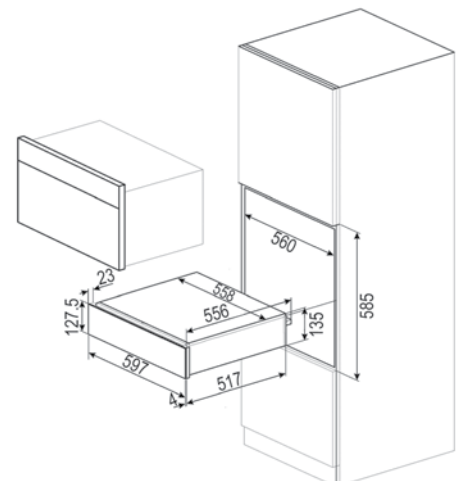


No. of control : 1
Knob control setting

Programme /Functions :
Defrost
Proofing
Mug warmer
Keep warm
Dish warmer
Reheating

Net volume of the cavity : 21 litres

Nominal power : 500 W
13amp power supply required



SO4302M1X

45cm "Classic" Galileo Combi Microwave Oven
Brushed Stainless Steel Fingerproof Finishing

RRP RM 14,875
PROMO **RM 11,155**



Traditional cooking functions



Microwave function

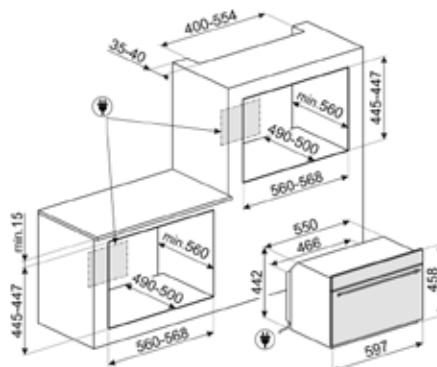


11 Cooking functions
LCD EvoScreen display
Eclipse door glass
Knobs and touch buttons control

Temperature : 30°C to 250°C
2 no. of 40W halogen lights
4 layer of door glasses
Temperate door
Soft close and soft open door
Safety thermostat
Tangential cooling system
Microwave screen protection
Electronic temperature control

"Ever Clean" enamel cavity
2 cooking levels

Net volume of the cavity : 40 litres
Microwave effective power : 800 W
Nominal power : 3300 W
15amp power supply required



SO4302S3X

45cm "Classic" Galileo Combi Steam Oven
Stainless Steel Fingerproof Finishing

RRP RM 15,195
PROMO **RM 11,395**



Traditional cooking functions



Cooking function with steam

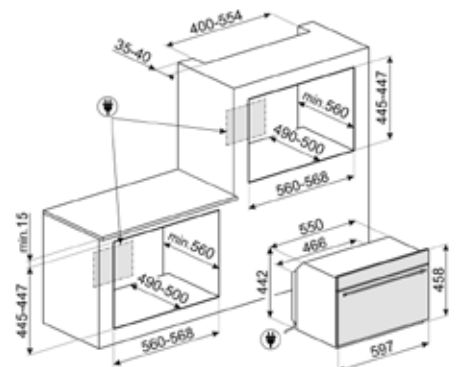


12 Cooking functions
LCD EvoScreen display
Eclipse door glass
Knobs and touch buttons control

Temperature : 30°C to 250°C
1 no. of 40W halogen lights
3 layer of door glasses
Temperate door
Soft close and soft open door
Full glass inner door
Removable inner door
Safety thermostat
Tangential cooling system
Speed reduction cooling system
Electronic temperature control

"Ever Clean" enamel cavity
2 cooking levels

Net volume of the cavity : 41 litres
Nominal power : 3000 W
15amp power supply required



SF9390X1

90cm "Classic" Thermo-ventilated Oven
Brushed Stainless Steel Fingerproof Finishing

RRP RM 17,205
PROMO **RM 12,905**



Traditional cooking functions

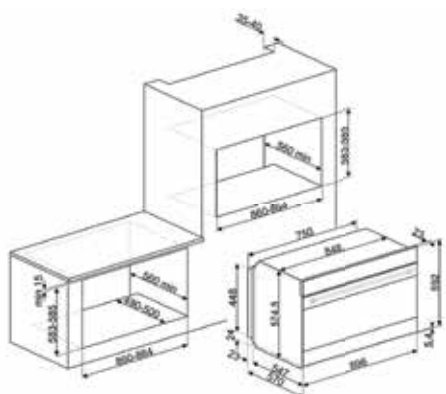


9 Cooking functions
20 Automatic programmes
2 Classic control knobs
LCD Display technology

Eclipse door glass
Temperature : 30°C to 280°C
2 no. of 40W halogen lights
3 layer of door glasses
Removable door
Full glass inner door
Removable inner door
Safety thermostat
Tangential cooling system
Speed reduction cooling system
Electronic temperature control

"Ever Clean" enamel cavity
5 cooking levels

Net volume of the cavity : 115 litres
Nominal power : 3100 W
15amp power supply required



FMI425X

"Selezione" Built-in Microwave with Grill
Stainless Steel Finishing

RRP RM 4,500
PROMO **RM 3,375**



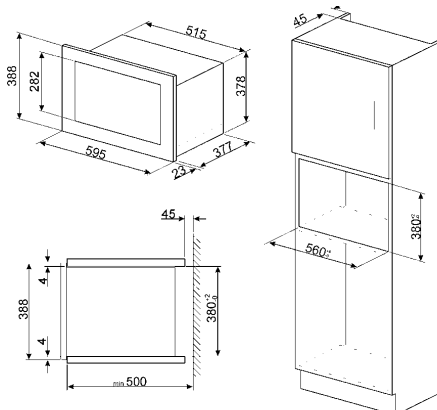
5 Functions :



No. of control : 1
Electromechanical control
8 Automatic programmes
Multi-session cooking

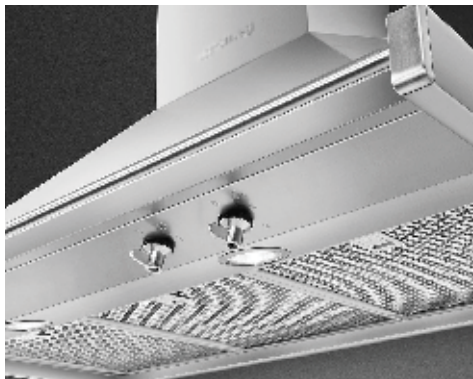
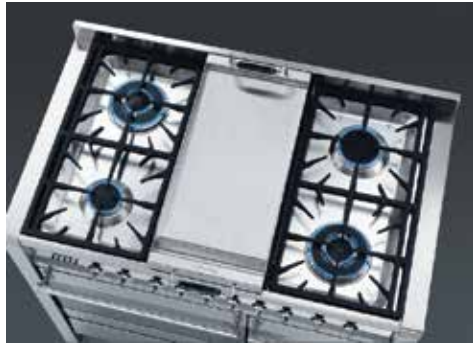
Control Lock / Child Safety Lock
1 LED light
2 cooking level
Safety thermostat
Tangential cooling system
Microwave screen protection

Net volume of the cavity : 25 litres
Grill power - 1000 W
Microwave effective power - 900 W
13amp power supply required





Hob & Hood



PS906-5

90cm "Classic" Ultra-Low Profile Gas Hob
Brushed Stainless Steel Satin Finishing

RRP RM 13,530
PROMO **RM 10,150**



No. of control : 6
5 Gas cooking zones
Left : Ultra rapid burner 5.00 kW
Rear - centre 2.50 kW
Front - centre 1.05 kW
Rear - right 2.50 kW
Front - right 1.05 kW

Burners material - aluminium
Cast iron pan stands
Automatic Ignition
Gas safety valves
Adaptable for LPG

13amp power supply required

SRV573XG

70cm "Contemporary" Traditional Gas Hob
Brushed Stainless Steel Satin Finishing

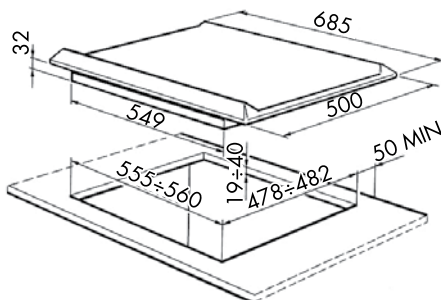
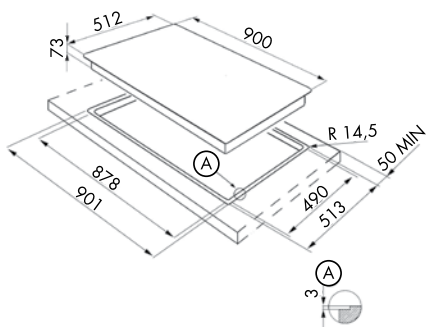
RRP RM 7,115
PROMO **RM 5,335**



No. of control : 4
3 Gas cooking zones
Left : Ultra rapid burner 5.00 kW
Rear - right 2.55 kW
Front - right 1.65 kW

Cast iron pan stands
Automatic Ignition
Gas safety valves
Adaptable for LPG

13amp power supply required



PGF31G-1

30cm "Classic" Ultra Low Profile Gas Hob
Brushed Stainless Steel Satin Finishing

RRP RM 5,890
PROMO **RM 4,420**



No. of control : 2
1 Gas cooking zones
Ultra rapid burner 5.20 kW

Burners material - Aluminium
Cast iron pan stands
Automatic Ignition
Gas safety valves
Adaptable for LPG

13amp power supply required

PGF32G

30cm "Classic" Ultra Low Profile Gas Hob
Brushed Stainless Steel Satin Finishing

RRP RM 5,090
PROMO **RM 3,820**



No. of control : 2
2 Gas cooking zones
Left : Ultra rapid burner
Front - right 1.05 kW
Rear - right 2.50 kW

Burners material - Aluminium
Cast iron pan stands
Automatic Ignition
Gas safety valves
Adaptable for LPG

13amp power supply required

SRV532GH3

30cm "Contemporary" Traditional Gas Hob
Brushed Stainless Steel Satin Finishing

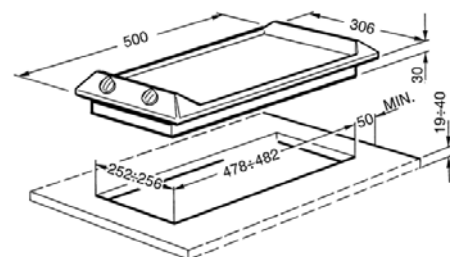
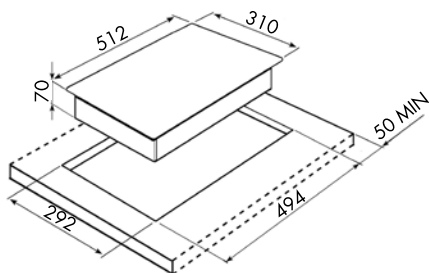
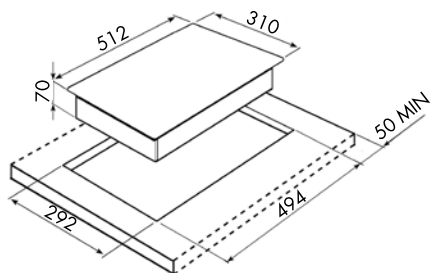
RRP RM 2,910
PROMO **RM 2,180**



No. of control : 2
2 Gas cooking zones
Front 1.05 kW
Rear 3.30 kW

Burners material - Aluminium
Cast iron pan stands
Automatic Ignition
Gas safety valves
Adaptable for LPG

13amp power supply required



SI5952B

90cm Ultra Low Profile Induction Hob
Black Ceramic Angled Edge Glass

RRP RM 17,330
PROMO **RM 13,000**



5 Induction cooking zones
5 Cooking zones with booster

Front - left : 1.40 kW,
Booster : 2.20 kW - Ø14.5cm

Rear - left : 1.85 kW,
Booster : 3.00 kW - Ø18 cm

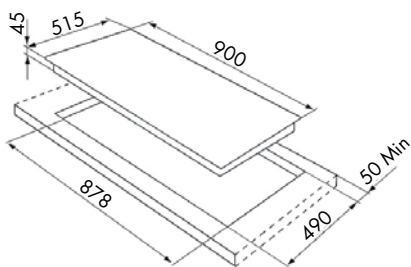
Centre - Giant : 3.00 kW,
Booster : 3.70 - Ø27.0 cm

Rear - right : 2.30 kW,
Booster : 3.70 kW - Ø21.0 cm

Front - right : 1.40 kW,
Booster : 2.20 kW - Ø14.5cm

14 power level
Multi slider control setting
5 end cooking timer
Automatic setting according to pan dimension
Minimum pan diameter indication
Automatic switch off when overheat
Automatic switch off when overflow
Residual time indicator
Residual heat indicator
Simmering function
Melting/Low temperature function
Child lock
Rapid level selection

30amp power supply required



SI7633B

60cm Ultra Low Profile Induction Hob
Black Ceramic Bevelled Front Edge Glass

RRP RM 13,065
PROMO **RM 9,800**



3 Induction cooking zones
3 Cooking zones with booster

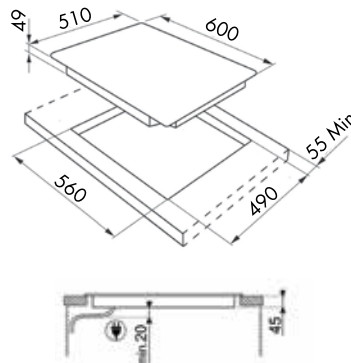
Front - left : 2.30 kW,
Booster : 3.70 kW - Ø21cm

Rear - left : 1.40 kW,
Booster : 2.50 kW - Ø14.5 cm

Front - right - Giant : 1.80 kW - 2.80 kW,
Booster : 3.50 - 5.20 kW - Ø18/28 cm

14 power level
Multi slider control setting
3 end cooking timer
Automatic setting according to pan dimension
Minimum pan diameter indication
Automatic switch off when overheat
Automatic switch off when overflow
Residual time indicator
Child lock
Rapid level selection

30amp power supply required



SI5322B

30cm Ultra Low Profile Induction Hob
Black Ceramic Angled Edge Glass

RRP RM 8,585
PROMO **RM 6,440**



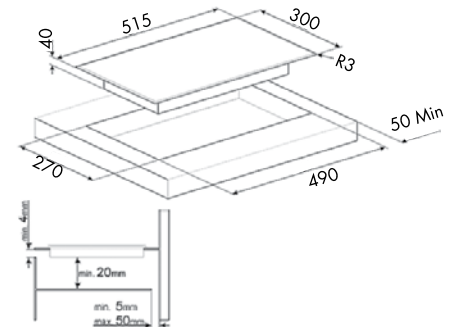
2 Induction cooking zones
2 Cooking zones with booster

Front - centre : 1.30 kW,
Booster : 1.40 kW - Ø 16.0 cm

Rear - centre : 2.30 kW,
Booster : 3.00 kW - Ø 21.0 cm

9 power level
Touch control
2 end cooking timer
Automatic setting according to pan dimension
Minimum pan diameter indication
Automatic switch off when overheat
Residual heat indicator
Protection against accidental start up
Child lock
Quick start

15amp power supply required



SIM662WLDR

60cm "Dolce Stil Novo" Induction Hob
Black Ceramic Glass With Copper Finishing
Straight Edge

RRP RM 16,530
PROMO **RM 12,400**



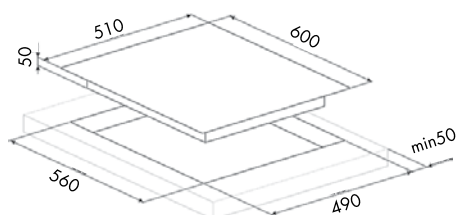
4 Induction cooking zones
4 Cooking zones with booster
2 Flexible zones

Multi zone option
Front left & right : 2.10 kW,
Booster : 3.60 kW - Ø 18x23 cm

Rear left & right : 2.10 kW,
Booster : 3.60 kW - Ø 18x23 cm
Left multizone : Booster : 3.60 kW - Ø 38.5x23 cm
Right multizone : Booster : 3.60 kW - Ø 38.5x23 cm

9 power level
Multi slider control setting
Automatic setting according to pan dimension
Minimum pan diameter indication
Automatic switch off when overheat
Automatic switch off when overflow
Residual time indicator
Permanent auto pot detection with indication
of the relevant control
Pan detection - minimum 9cm
Simmering function
Melting/Low temperature function
Child lock

35amp power supply required



SIM631WLDR

38cm "Dolce Stil Novo" Induction Hob
Black Ceramic Glass With Copper Finishing
Straight Edge

RRP RM 11,855
PROMO **RM 8,890**



2 Induction cooking zones
2 Cooking zones with booster

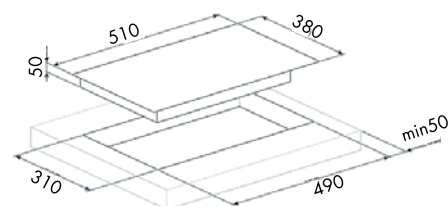
Multi zone option
Front - centre : 2.10 kW,
Booster : 3.60 kW - Ø 18x23 cm

Rear - centre : 2.10 kW,
Booster : 3.60 kW - Ø 18x23 cm

Central multizone : Booster : 3.60 kW -
Ø 38.5x23 cm

9 power level
Multi slider control setting
Automatic setting according to pan dimension
Minimum pan diameter indication
Automatic switch off when overheat
Automatic switch off when overflow
Residual time indicator
Permanent auto pot detection with indication
of the relevant control
Pan detection - minimum 9cm
Simmering function
Melting/Low temperature function
Child lock

35amp power supply required



SE364ETD

60cm Ultra Low Profile/Fully Flushed Ceramic Hob
Black Ceramic Straight Edge Glass

RRP RM 9,380
PROMO **RM 7,035**



4 Ceramic cooking zones
4 Cooking zones with booster

Front - left : 1.80 kW - Ø18.4cm
Rear - left : 1.20 kW - Ø14.8 cm
Rear - right : 1.00 - 2.20 kW - Ø 14.8 - Ø 21.4 cm
Front - right : 1.20 kW - Ø 14.8 cm

9 power level
Touch control
4 end cooking timer
Minute minder
Keep warm automatic function
Automatic switch off when overheat

Automatic switch off when overflow

Residual time indicator
Residual heat indicator
Child lock
Quick start

30amp power supply required

SE332EB

30cm Ultra Low Profile Ceramic Hob
Black Ceramic Angled Edge Glass

RRP RM 5,665
PROMO **RM 4,250**

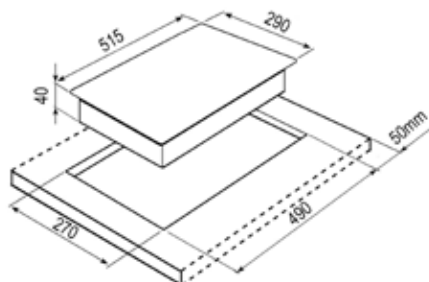
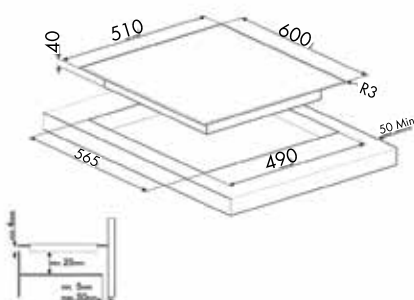


2 Ceramic cooking zones
2 Cooking zones with booster

Front - centre : 1.20 kW - Ø 14.8 cm
Rear - centre : 0.70 - 1.70 kW -
Ø 12.4 - Ø 18.4 cm

9 power level
Touch control
Keep warm automatic function
Automatic switch off when overheat
Automatic switch off when overflow
Residual heat indicator
Child lock
Quick start

15amp power supply required



COMBI SET : COO-VIC-90-P

90 x 60cm "Victoria" Cooker With Gas Hob
Cream Colour

RRP SET PRICE RM 46,720
PROMO SET PRICE **RM 32,710**



TR90P2



KT90PE

Traditional cooking functions



Thermo-ventilated oven
9 Cooking functions
2 (40W) halogen light
Temperature : 50°C to 260°C
3 layer of door glasses
Removable door
Safety thermostat
Tangential cooling system
Electro-mechanical temperature control

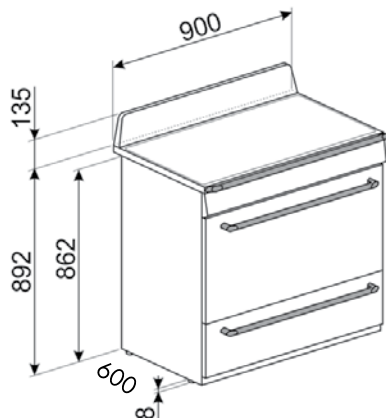
"Ever Clean" enamel cavity
5 cooking levels
Net volume of the cavity : 115 litres

Hob - 5 cook zones

Front left - rapid : 2.90 kW
Rear left - semi-rapid : 1.80 kW
Central - ultra rapid : 5.00 kW
Rear right - semi rapid : 1.80 kW
Front right : 1.00 kW

Automatic electronic ignition
Gas safety valves
Matt black enamelled burner caps
Cast iron pan stand
Adaptable to LPG

15amp power supply required



COMBI SET : COO-VIC-90-BL

90 cm "Victoria" Decorative Wall Chimney Hood
Black Colour

RRP SET PRICE RM 46,720
PROMO SET PRICE **RM 32,710**



TR90BL2



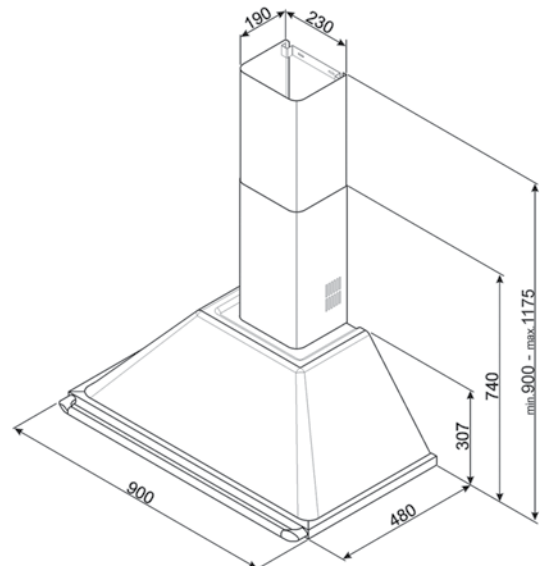
KT90BLE

275W Motor power
No. of speed : 3 + Intensive speed
2 Victoria knobs control
3 Aluminium Anti-grease filters
2 LED (1W) lights
Light color temperature scale (°K) : 3000 °K
Non return valve
Vent outlet : Ø 150mm

Free outlet maximum capacity : 820 m³/h
Minimum distance from Gas hob : 750mm
Minimum distance from Electric hob : 650mm

	Extraction rate IEC 61591 [m³/h]	Noise level IEC 60704-2-13 [dB (A)]
Speed 1	334	49
Speed 2	439	57
Speed 3	567	61
Intensive	788	69

13amp power supply required



A5-81

150 x 60cm "Opera" Cooker With Gas Hob
Stainless Steel

RRP RM 73,755
PROMO **RM 55,315**



Traditional cooking functions - Main Oven



Thermo-ventilated oven
8 Cooking functions
2 Incandescent light - 25W
Temperature : 50°C to 250°C
3 layer of door glasses
Full glass inner door
Removable inner door
Roof liner
Tangential cooling system
Electro-mechanical temperature control

"Ever Clean" enamel cavity
4 cooking levels
Net volume of the cavity : 77 litres

Hob - 7 cook zones

Front left - ultra rapid : 4.20 kW
Rear left - semi rapid : 1.80 kW
Front centre : 1.00 kW
Rear centre - rapid : 3.00 kW
Front right : 1.00 kW
Rear right - Fish burner : 1.90 kW
Right - Ultra rapid : 5.00 kW
Central - BBQ : 1.60 kW

Automatic electronic ignition
Gas safety valves
Matt black enamelled burner caps
Automatic switch off when overflow
Cast iron pan stand
Adaptable to LPG

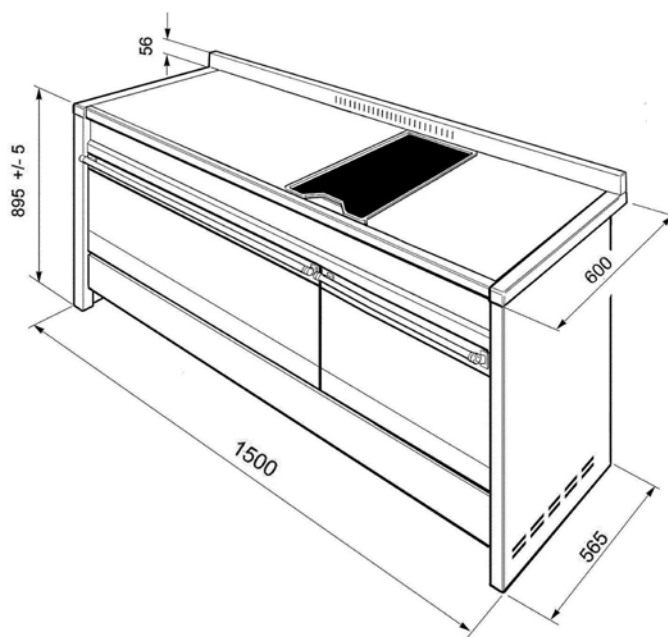
45amp power supply required

Traditional cooking functions - Auxiliary Oven



Thermo-ventilated oven
8 Cooking functions
1 (40W) Halogen light
Temperature : 50°C to 280°C
3 layer of door glasses
Full glass inner door
Removable inner door
Tilting grill
Tangential cooling system
Electro-mechanical temperature control

"Ever Clean" enamel cavity
4 cooking levels
Net volume of the cavity : 54 litres



A3-81

120 x 60cm "Opera" Cooker With Gas Hob
Stainless Steel

RRP RM 62,965
PROMO **RM 47,225**



Traditional cooking functions - Main Oven



Thermo-ventilated oven
8 Cooking functions
2 Incandescent light - 25W
Temperature : 50°C to 250°C
3 layer of door glasses
Removable door
Safety thermostat
Tangential cooling system
Electro-mechanical temperature control

"Ever Clean" enamel cavity
4 cooking levels
Net volume of the cavity : 77 litres

Hob - 6 cook zones

Front left - ultra rapid : 4.20 kW
Rear left - semi rapid : 1.80 kW
Front centre : 1.00 kW
Rear centre - rapid : 3.00 kW
Front right : 1.00 kW
Rear right - Fish burner : 1.90 kW
Central - BBQ : 1.60 kW

Automatic electronic ignition
Gas safety valves
Matt black enamelled burner caps
Cast iron pan stand
Adaptable to LPG

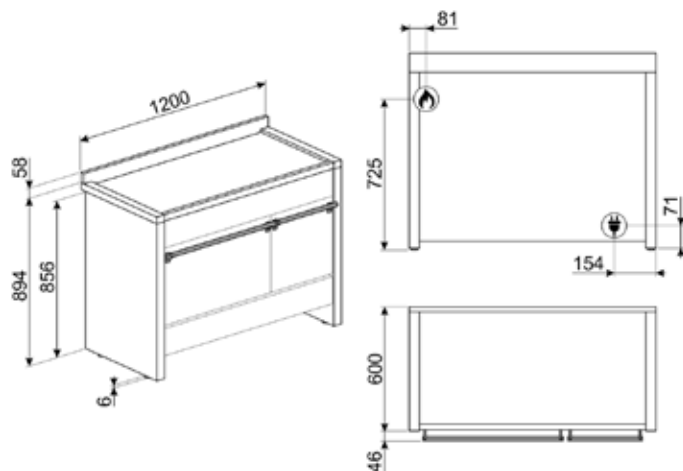
35amp power supply required

Traditional cooking functions - Auxiliary Oven



Static oven
4 Cooking functions
1 Incandescent light - 25W
Temperature : 50°C to 220°C
3 layer of door glasses
Removable door
Safety thermostat
Tangential cooling system
Electro-mechanical temperature control

"Ever Clean" enamel cavity
4 cooking levels
Net volume of the cavity : 40 litres



A2-81

100 x 60cm "Opera" Cooker With Gas Hob
Stainless Steel

RRP RM 48,570
PROMO **RM 36,430**



Traditional cooking functions - Main Oven



Thermo-ventilated oven
8 Cooking functions
1 (40W) halogen light
Temperature : 50°C to 250°C
3 layer of door glasses
Removable door
Safety thermostat
Tangential cooling system
Electro-mechanical temperature control

"Ever Clean" enamel cavity
4 cooking levels
Net volume of the cavity : 61 litres

Hob - 6 cook zones

Front left - semi rapid : 1.80 kW
Rear left - ultra rapid : 4.20 kW
Front centre : 1.00 kW
Rear centre - semi rapid : 1.80 kW
Front right - ultra rapid : 4.20 kW
Rear right - rapid : 3.00 kW

Automatic electronic ignition
Gas safety valves
Matt black enamelled burner caps
Cast iron pan stand
Adaptable to LPG

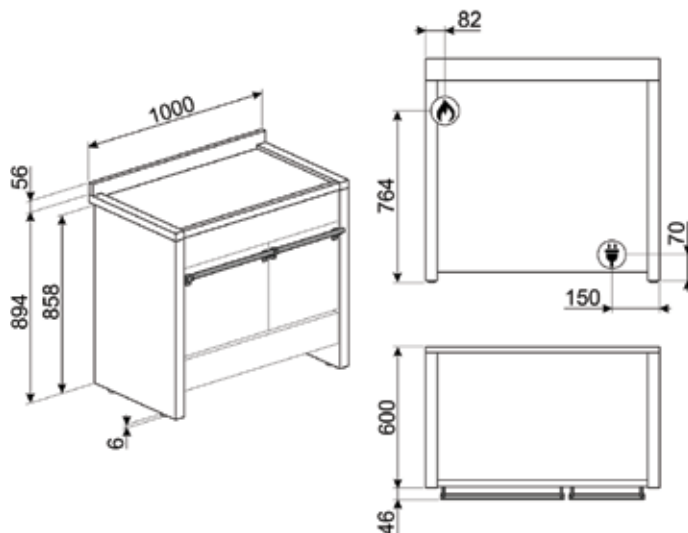
35amp power supply required

Traditional cooking functions - Auxiliary Oven



Static Oven
4 Cooking functions
1 Incandescent light - 25W
Temperature : 50°C to 250°C
3 layer of door glasses
Removable door
Safety thermostat
Tangential cooling system
Electro-mechanical temperature control

"Ever Clean" enamel cavity
4 cooking levels
Net volume of the cavity : 35 litres



A1-9

90 x 60cm "Opera" Cooker With Gas Hob
Stainless Steel

RRP RM 37,330
PROMO **RM 28,000**



Traditional cooking functions



Thermo-ventilated oven
10 Cooking functions
2 (40W) halogen light
Temperature : 50°C to 280°C
3 layer of door glasses
Removable door
Safety thermostat
Tangential cooling system
Electronic temperature control

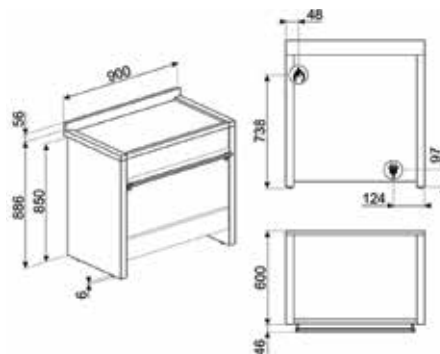
"Ever Clean" enamel cavity
5 cooking levels
Net volume of the cavity : 115 litres

Hob - 6 cook zones

Front left - ultra rapid : 4.20 kW
Rear left - rapid : 3.00 kW
Front centre : 1.00 kW
Rear centre - semi rapid : 1.80 kW
Front right - semi rapid : 1.80 kW
Rear right - rapid : 3.00 kW

Automatic electronic ignition
Gas safety valves
Matt black enamelled burner caps
Cast iron pan stand
Adaptable to LPG

1.5amp power supply required



SUK91MFX9

90 x 60cm "Concerto" Cooker With Gas Hob
Stainless Steel

RRP RM 21,845
PROMO **RM 16,385**



Traditional cooking functions



Thermo-ventilated oven
8 Cooking functions
2 (40W) halogen light
Temperature : 50°C to 260°C
3 layer of door glasses
Removable door
Safety thermostat
Tangential cooling system
Electro-mechanical temperature control

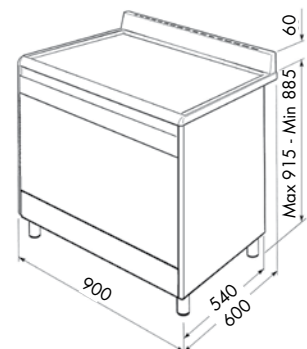
"Ever Clean" enamel cavity
5 cooking levels
Net volume of the cavity : 115 litres

Hob - 5 cook zones

Front left - rapid : 2.90 kW
Rear left - semi-rapid : 1.80 kW
Central - ultra rapid : 4.00 kW
Rear right - semi rapid : 1.80 kW
Front right : 1.00 kW

Automatic electronic ignition
Gas safety valves
Matt black enamelled burner caps
Cast iron pan stand
Adaptable to LPG

1.5amp power supply required



NB: Height with plinth installed is fixed at 900mm

KD150HXE

150 cm Decorative Wall Chimney
Brushed Stainless Steel

RRP RM 11,585
PROMO **RM 8,690**

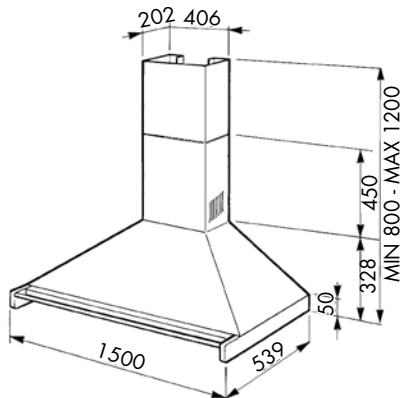


275W Motor power
No. of speed : 3 + Intensive speed
2 Classic knobs control
5 Stainless Steel Anti-grease filters
4 LED (1W) lights
Light color temperature scale (°K) : 4000 °K
Non return valve
Vent outlet : Ø 150mm

Free outlet maximum capacity : 830 m³/h
Minimum distance from Gas hob : 750mm
Minimum distance from Electric hob : 650mm

	Extraction rate IEC 61591 [m ³ /h]	Noise level IEC 60704-2-13 [dB (A)]
Speed 1	292	49
Speed 2	415	58
Speed 3	626	67
Intensive	787	72

13amp power supply required



KD120HXE

120 cm Decorative Wall Chimney Hood
Brushed Stainless Steel

RRP RM 8,715
PROMO **RM 6,540**

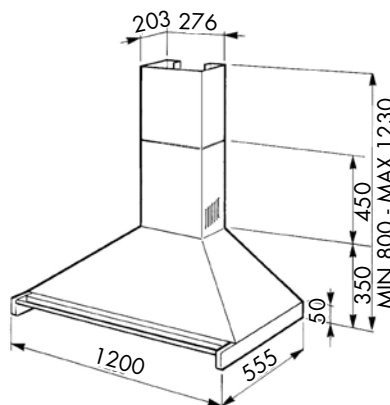


275W Motor power
No. of speed : 3 + Intensive speed
2 Classic knobs control
4 Stainless Steel Anti-grease filters
4 LED (4W) lights
Light color temperature scale (°K) : 4000 °K
Non return valve
Vent outlet : Ø 150mm

Free outlet maximum capacity : 820 m³/h
Minimum distance from Gas hob : 750mm
Minimum distance from Electric hob : 650mm

	Extraction rate IEC 61591 [m ³ /h]	Noise level IEC 60704-2-13 [dB (A)]
Speed 1	287	49
Speed 2	389	58
Speed 3	606	67
Intensive	777	73

13amp power supply required



KD100HXE

100 cm Decorative Wall Chimney Hood
Brushed Painted Material

RRP RM 8,270
PROMO **RM 6,205**

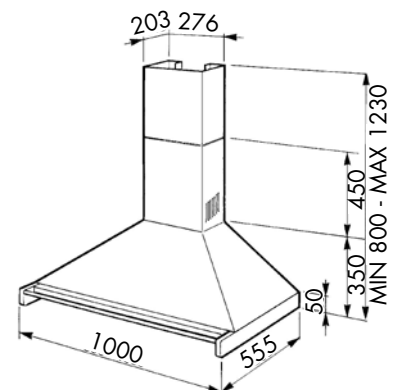


275W Motor power
No. of speed : 3 + Intensive speed
2 Classic knobs control
3 Stainless Steel Anti-grease filters
2 LED (1W) lights
Light color temperature scale (°K) : 4000 °K
Non return valve
Vent outlet : Ø 150mm

Free outlet maximum capacity : 830 m³/h
Minimum distance from Gas hob : 750mm
Minimum distance from Electric hob : 650mm

	Extraction rate IEC 61591 [m ³ /h]	Noise level IEC 60704-2-13 [dB (A)]
Speed 1	297	49
Speed 2	431	58
Speed 3	639	67
Intensive	792	72

13amp power supply required



KBT1200XE

120 cm Decorative Wall T Flat Hood
Brushed Painted Material

RRP RM 6,340
PROMO **RM 4,755**

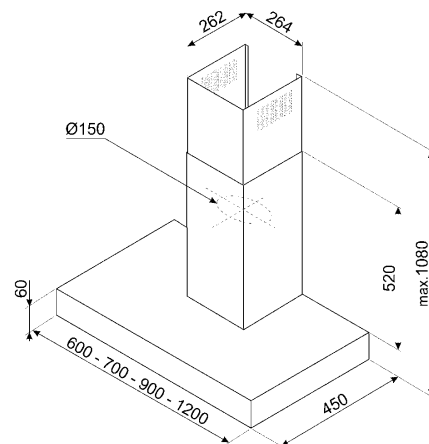


230W Motor power
No. of speed : 3 + Intensive speed
Electronic buttons control
24 hr air filter function
Time-setting options
4 Aluminium Anti-grease filters
Filter replacement indicator
2 LED (1.3W) lights
Light color temperature scale (°K) : 3000 °K
Non return valve
Vent outlet : Ø 150mm

Free outlet maximum capacity : 610 m³/h
Minimum distance from Gas hob : 650mm
Minimum distance from Electric hob : 650mm

	Extraction rate IEC 61591 [m ³ /h]	Noise level IEC 60704-2-13 [dB (A)]
Speed 1	251	48
Speed 2	345	56
Speed 3	454	62
Intensive	690	72

13amp power supply required



KD90HXE

90 cm Decorative Wall Chimney Hood
Brushed Painted Material

RRP RM 8,145
PROMO **RM 6,110**

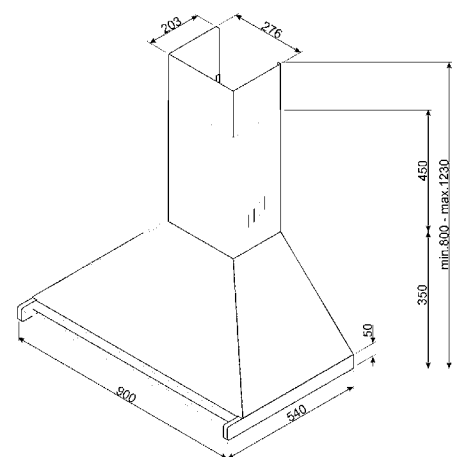


275W Motor power
No. of speed : 3 + Intensive speed
2 Classic knobs control
3 Stainless Steel Anti-grease filters
2 LED (1W) lights
Light color temperature scale (°K) : 4000 °K
Non return valve
Vent outlet : Ø 150mm

Free outlet maximum capacity : 815 m³/h
Minimum distance from Gas hob : 750mm
Minimum distance from Electric hob : 650mm

	Extraction rate IEC 61591 [m ³ /h]	Noise level IEC 60704-2-13 [dB (A)]
Speed 1	288	48
Speed 2	421	63
Speed 3	630	67
Intensive	781	72

13amp power supply required



KBT900XE

90 cm Decorative Wall T Flat Hood
Brushed Painted Material

RRP RM 5,050
PROMO **RM 3,790**

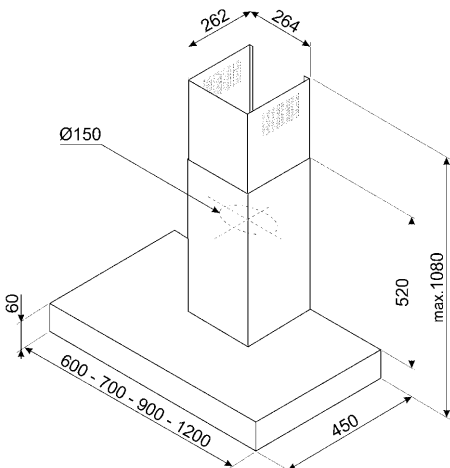


230W Motor power
No. of speed : 3 + Intensive speed
Electronic buttons control
3 Aluminium Anti-grease filters
Filter replacement indicator
2 LED (1.3W) lights
Light color temperature scale (°K) : 3000 °K
Non return valve
Vent outlet : Ø 150mm

Free outlet maximum capacity : 730 m³/h
Minimum distance from Gas hob : 650mm
Minimum distance from Electric hob : 500mm

	Extraction rate IEC 61591 [m ³ /h]	Noise level IEC 60704-2-13 [dB (A)]
Speed 1	265	47
Speed 2	360	55
Speed 3	480	62
Intensive	713	72

13amp power supply required



KSET900XE

90cm Integrated (semi) Telescopic Hood
Brushed Stainless Steel

RRP RM 4,880
PROMO **RM 3,660**

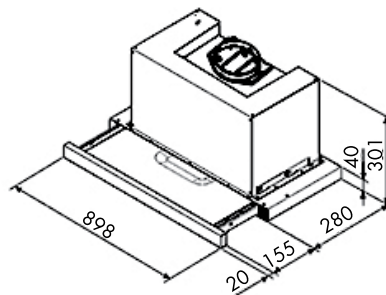


175W Motor power
No. of speed : 3
Slider control
2 Aluminium Anti-grease filters
2 LED (3W) lights
Light color temperature scale (°K) : 3500 °K
Non return valve
Vent outlet : Ø 150mm

Free outlet maximum capacity : 600 m³/h
Minimum distance from Gas hob : 650mm
Minimum distance from Electric hob : 500mm

	Extraction rate IEC 61591 [m ³ /h]	Noise level IEC 60704-2-13 [dB (A)]
Speed 1	240	44
Speed 2	368	54
Speed 3	581	65

13amp power supply required



KSET62E

60cm Integrated (semi) Telescopic Hood
Silver Colour

RRP RM 2,710
PROMO **RM 2,035**

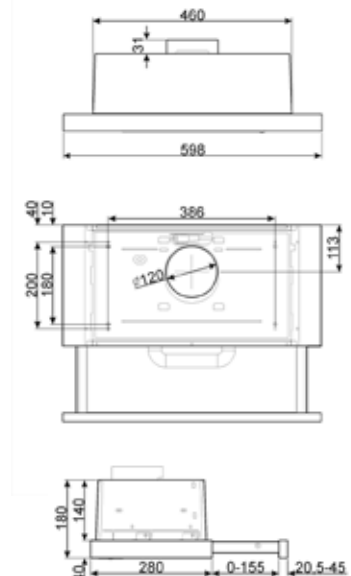


115W Motor power
No. of speed : 3
Buttons control
2 Aluminium Anti-grease filters
2 LED (3W) lights
Light color temperature scale (°K) : 2700 °K
Non return valve
Vent outlet : Ø 120mm

Free outlet maximum capacity : 304 m³/h
Minimum distance from Gas hob : 650mm
Minimum distance from Electric hob : 500mm

	Extraction rate IEC 61591 [m ³ /h]	Noise level IEC 60704-2-13 [dB (A)]
Speed 1	125	46
Speed 2	160	48
Speed 3	304	62

13amp power supply required





Color Fridge



FAB28

50'S STYLE RETRO REFRIGERATOR

Single Door Refrigerator, Free Standing, Right Hand Hinge

RRP RM 21,955

PROMO **RM 16,465**



FAB28RPB - Pastel Blue



FAB28RRD - Red



FAB28RWH - White



FAB28RBL - Black



FAB28RYW - Yellow



FAB28RCR - Cream



FAB28RSV - Silver



FAB28RPG - Pastel Green



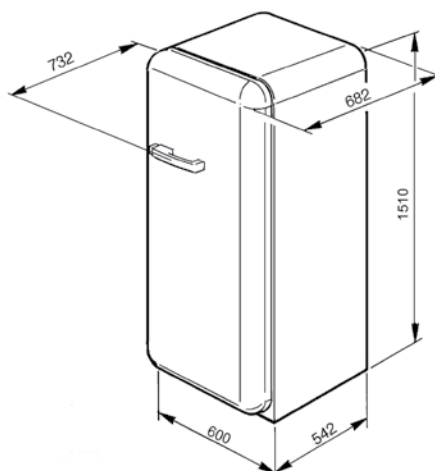
FAB28ROR - Orange



FAB28RPK - Pink



FAB28RBE - Blue



Total net volume: 270 litres
Inverter compressor
Refrigerator Compartment :
2 Adjustable shelves
1 Fruits and vegetables drawers
LED Internal light
Automatic defrost
Multiflow system
Total volume : 244 litres

Refrigerator Inner Door
1 Bottle shelf
1 Door shelf with transparent cover
1 Adjustable door shelf
Bottle shelves with wire support

Freezer :
Total volume : 26 litres
Manual defrost

13amp power supply required

FAB5

50'S STYLE RETRO REFRIGERATOR

Single Door Refrigerator, Free Standing, Right Hand Hinge

RRP RM 13,165

PROMO **RM 9,875**



FAB5ROR - Orange



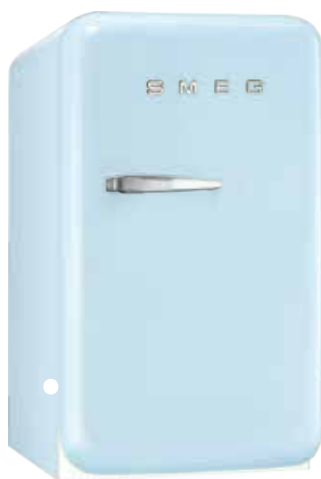
FAB5RBL - Black



FAB5RRD - Red



FAB5RPG - Pastel Green



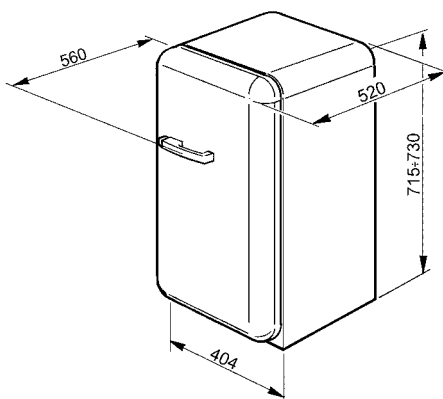
FAB5RPB - Pastel Blue



FAB5RCR - Cream



FAB5RPK - Pink



Total net volume : 34 litres
Standard compressor
Electronic temperature control

Refrigerator Compartment :
2 Adjustable shelves
LED Internal light
Automatic defrost
Total volume : 34 litres

Refrigerator Inner Door
1 Bottle shelf
Adjustable bottle shelves with wire support
1 Adjustable door shelf
Adjustable door shelves with wire support

13amp power supply required



SINK, TAP & ACCESSORIES



VSTQ72-2

Single Rectangular Undermount Sink
Brushed Stainless Steel

RRP RM 4,510
PROMO **RM 3,385**



Bowl dimension,
WxDxH (mm) : 720 x 400 x 210

Bowl depth (mm): 210
Strainer dimension: 3.5"

Standard accessories :
Overflow
Drain
Gaskets
Fixing clips
Dishwasher drain trap

VSTQ40-2

Single Square Undermount Sink
Brushed Stainless Steel

RRP RM 4,007
PROMO **RM 3,000**



Bowl dimension,
WxDxH (mm) : 400 x 400 x 210

Bowl depth (mm): 210
Strainer dimension: 3.5"

Standard accessories :
Overflow
Drain
Gaskets
Fixing clips
Dishwasher drain trap

UM45

Single Undermount Sink
Brushed Stainless Steel

RRP RM 1,035
PROMO **RM 880**



Bowl dimension,
WxDxH (mm) : 450 x 400 x 180

Bowl depth (mm): 180
Strainer dimension: 3.5"

Standard accessories :
Overflow
Drain
Gaskets
Fixing clips
Dishwasher drain trap

UM34

Single Undermount Sink
Brushed Stainless Steel

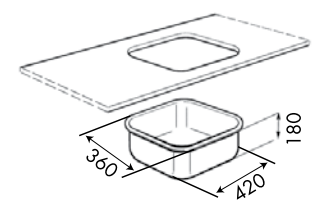
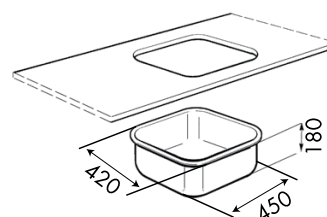
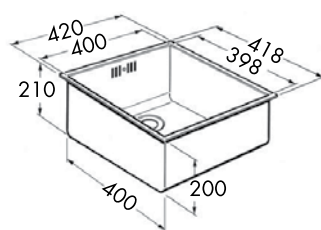
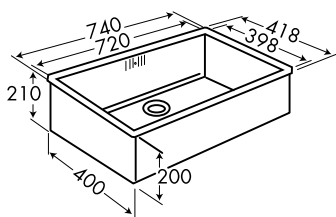
RRP RM 965
PROMO **RM 820**



Bowl dimension,
WxDxH (mm) : 340 x 400 x 180

Bowl depth (mm): 180
Strainer dimension: 3.5"

Standard accessories :
Overflow
Drain
Gaskets
Fixing clips
Dishwasher drain trap



M16CSP

Single Level Mixer
Brushed Chrome Finishing

RRP RM 4,990
PROMO **RM 4,240**



Swivel spout
Minimum pressure 0.5 bar
Maximum pressure 5 bar
Tap hole diameter : 35mm
360° Swivelling spout rotation
Ceramic disc cartridge : 25Ø

MFQ6-IS2

Single Level Mixer
Brushed Nickel Finishing

RRP RM 4,860
PROMO **RM 4,130**



Swivel spout
Minimum pressure 0.5 bar
Maximum pressure 5 bar
Tap hole diameter : 35mm
360° Swivelling spout rotation
Ceramic disc cartridge : 25Ø

MFQ8-IS

Single Level Mixer
Brushed Nickel Finishing

RRP RM 5,895
PROMO **RM 5,010**



Swivel spout
Minimum pressure 0.5 bar
Maximum pressure 5 bar
Tap hole diameter : 35mm
120° Swivelling spout rotation
Ceramic disc cartridge : 25Ø

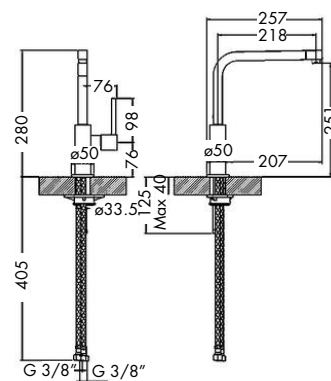
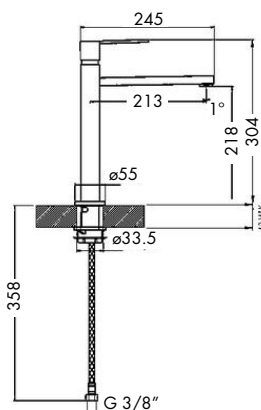
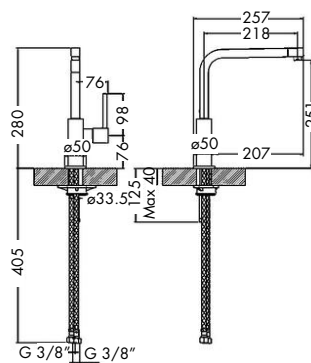
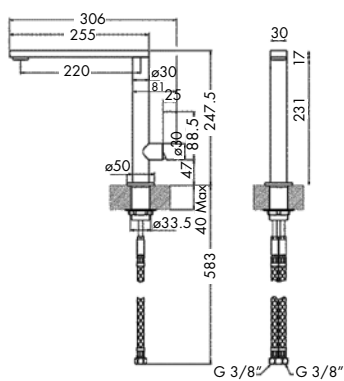
MD14CR

Single Level Mixer
Glossy Chrome Finishing

RRP RM 3,645
PROMO **RM 3,100**



Swivel spout
Minimum pressure 0.5 bar
Maximum pressure 5 bar
Tap hole diameter : 35mm
170° Swivelling spout rotation
Flexible hose length : 500mm
Ceramic disc cartridge : 25Ø



ACCESSORIES



TPKX
Teppanyaki Grill Plate

RRP RM 3,494
PROMO **RM 2,620**



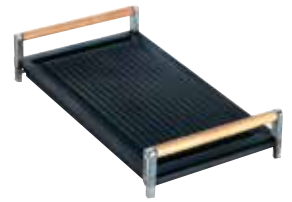
GGB30
30cm Cast Iron Grid

RRP RM 258
PROMO **RM 190**



GGB31
30cm Cast Iron Grid

RRP RM 323
PROMO **RM 240**



BB3679
Cast Iron Griddle

RRP RM 900
PROMO **RM 675**



C30CX/1
30cm Hob Cover

RRP RM 840
PROMO **RM 630**



LGPGF
Connecting Strips

RRP RM 453
PROMO **RM 335**



PPR 2
Universal Pizza Stone

RRP RM 686
PROMO **RM 515**



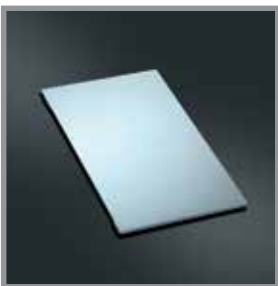
PALPZ
Pizza Shovel

RRP RM 362
PROMO **RM 270**



WOKGHU
Cast Iron Wok Support

RRP RM 160
PROMO **RM 135**



TVSG
Silver Glass Chopping Board

24cm width reversible stainless steel and glass chopping boards suitable for most Mira (LD series), Alba and Rigae (LE series) sinks.

RRP RM 544
Promo **RM 300**



VSH20Q
Stainless Steel Rectangular Colander

Stainless steel rectangular colander
- 200mm half bowl square corners

RRP RM 2,523
Promo **RM 1,385**



HBCOL
Stainless Steel Colander

RRP RM 440
Promo **RM 240**



about us



Kitch was incorporated in 1999 as the marketing arm of Kosion Trading (M) Sdn Bhd to cater to the growing needs of the kitchen industry in Malaysia. Our aim is to bring the best in quality fittings and appliances for the kitchen to consumers who want products that will last for years.

With more than 20 years of experience in supplying fittings and materials to the furniture and wood-working industry, we have slowly been evolving into a specialist supplier for the kitchen industry over the past 10 years. Today, we are a leading supplier to the kitchen industry in Malaysia. Our range of products can be seen in many kitchen showrooms throughout Malaysia as well as in exclusive property development show units. In addition, we work with many of the leading kitchen designers and interior designers to introduce the latest trends and technology in kitchen design and planning to Malaysian consumers.

Our commitment to the kitchen industry is backed by our competent staff who are on hand to provide planning information as well as after-sales servicing to both industry personnel and consumers alike.

We maintain our own product showrooms in Kuala Lumpur and Petaling Jaya. At these showrooms, visitors can view our current range of products, including Salice fittings from Italy, Smeg appliances from Italy, and Vintec products from Denmark.



Price quoted exclude installation.

Authorised Dealer



S M E G

Small Domestic Appliances



2024 PROMOTION

1st April 2024 to 30th Sept 2024

FOOD PREPARATION





Pink
SMF02PK



Pastel Green
SMF02PG

Planetary movement • Direct drive motor 800 W • Variable speed control (10 speeds with Smooth Start Function) • 4.8 L polished Stainless Steel bowl • Die-cast aluminum body • Tilted head • Safety lock
RETAIL PRICE RM 5,243 | PROMO RM 4,455



STAND MIXER FULL COLOUR
SMF03



Black
SMF03BL



Pink
SMF03PK



Cream
SMF03CR



Red
SMF03RD



White
SMF03WH



Pastel Blue
SMF03PB



Pastel Green
SMF03PG

Planetary movement • Direct drive motor 800 W • Variable speed control (10 speeds with Smooth Start Function) • 4.8 L polished Stainless Steel bowl • Die-cast aluminum body • Tilted head • Safety lock

RETAIL PRICE RM 5,635 | PROMO RM 4,790



ELECTRICAL HAND MIXER HMFO1



Black
HMFO1BL



Cream
HMFO1CR



Pastel Blue
HMFO1PB



Pastel Green
HMFO1PG



Pink
HMFO1PK



Red
HMFO1RD



White
HMFO1WH

- Power 250 W • Control: 3 Buttons + Trigger • Stainless steel lever
- 9 speeds
 - Polished chrome + Aluminium
 - Smooth start system
 - Motor overload protection
- RETAIL PRICE RM 1,455 | PROMO RM 1,235



Cream
HBF22CR



Black
HBF22BL



Pastel Blue
HBF22PB



Red
HBF22RD

- Power 700 W motor • Stainless steel blending arm • Stainless steel blades with FlowBlend
- Anti-scratch rim • Variable speed knob • Turbo function • Ergonomic and anti-slip handle
- Accessories included: beaker, chopper, stainless steel whisk, potato masher

RETAIL PRICE RM 1,540 | PROMO RM 1,310



BLENDER BLF01



Pastel Green
BLF01PG



Pastel Blue
BLF01PB



Red
BLF03RD



Pink
BLF01PK



White
BLF01VWH

Power 800 W motor with Smooth Start function • 4 speeds • 3 pre-set functions: ice crush, smoothie, pulse settings • 1.5 L BPA-free Tritan™ jug • Stainless steel dual blades, detachable
RETAIL PRICE RM 2,050 | PROMO RM 1,745

COFFEE[®]





50's style Espresso Coffee Machine EGF03



Taupe
EGF03BL



Taupe
EGF03CR



Taupe
EGF03PB



Taupe
EGF03PG



Taupe
EGF03RD



Taupe
EGF03VH

2.4 litre water container • Coffee spout - double • Standby setting (10min/30min/40min/60min)
Steam circuit pump pressure - 15 bar • Adjustable coffee temperature (low/medium/optimal/high)

RETAIL PRICE RM 8,600 | PROMO RM 7,310

available Q3/24



BEAN-TO-CUP BCC02



Taupe
BCC02TPM



Black
BCC02BLM



Red
BCC02RDM



White
BCC02WHM

**Available 3Q2022*

Power 1350 W • 1.4 litre water container • 150g grain container
Decalcification alarm • Adjustable water hardness (light/medium/hard)
RETAIL PRICE RM 6,990 | PROMO RM 5,940



DRIP FILTER COFFEE MACHINE DCF02



Black
DCF02BL



Cream
DCF02CR



Pastel Blue
DCF02PB



Pastel Green
DCF02PG



Red
DCF02RD



White
DCF02WH

- Power 1050W • 10 cups capacity • 1.4 L water tank • Aroma intensity function
 - Auto start mode • 1-4 cups function • Keep Warm function 40mins
- Full metal painted housing and lid • Metal filter and coffee spoon included

RETAIL PRICE RM 1,965 | PROMO RM 1,670



ESPRESSO COFFEE MACHINE
ECF01



Red
ECF01RD



Black
ECF01BL



Pastel Blue
ECF01PB



Pink
ECF01PK



White
ECF01WH

Hot Water function • Stand-by setting - 9 min/30 min/ 3 hrs • Adjustable Coffee Temperature
(Low / medium / high) • Decalcification alarm • Double Coffee function

RETAIL PRICE RM 4,095 | PROMO RM 3,480



COFFEE GRINDER CGF01



Black
CGF01BL



Pastel Blue
CGF01PB



Pastel Green
CGF01PG



White
CGF01WH

150W motor • Aluminum body & stainless steel grinders • 30 grinding levels
• Tritan containers for coffee beans & ground coffee
RETAIL PRICE RM 2,940 | PROMO RM 2,500



MILK FROTHER
MFF01



Pastel Blue
MFF01PB



Red
MFF01RD



Black
MFF01BL



Pastel green
MFF01PG



White
MFF01WH

Power 500 W motor • Induction heating system • Jug capacity 600 ml • 6 auto programmes
Milk and hot chocolate functions • Stainless steel spray painted body
RETAIL PRICE RM 2,050 | PROMO RM 1,745



CITRUS JUICER CJF01



Pastel Green
CJF01PG



Black
CJF01BL



Cream
CJF11CR



Pastel Blue
CJF01PB



Pink
CJF01PK



Red
CJF01RD

- Power 70 W • Universal and premium reamer and strainer • manual juicing system
• Anti-drip stainless steel spout • Die-cast aluminum body • 1-way cone rotation - anticlockwise
- RETAIL PRICE RM 1,425 | PROMO RM 1,210

 **BREAKFAST**





KETTLE KLF03



Black
KLF03BL



Pastel Blue
KLF03PB



Pastel Green
KLF03PG



Pink
KLF03PK



Red
KLF03RD



Cream
KLF03CR



White
KLF03WH

- Power 2400 W • Jug capacity 1.7 L • Soft Opening lid system • Auto shut-off at 100°C
- Stainless steel removable limescale filter • Stainless steel painted body • 360° swivel base
- RETAIL PRICE RM 1,425 | PROMO RM 1,210



MINI KETTLE KLF05



Black
KLF05BL



Cream
KLF05CR



Pastel Green
KLF05PG



Pastel Blue
KLF05PB



Pink
KLF05PK



Red
KLF05RD



White
KLF05VWH

Power 1400 W • Jug capacity 0.8 L • Manual lid open • 360° swivel base
• Auto shut-off at 100°C • Water level indicator
RETAIL PRICE RM 930 | PROMO RM 790



2-SLICES TOASTER TSF01



Pastel Blue
TSF01PB



Cream
TSF01CR



Pink
TSF01PK



Black
TSF01BL



Red
TSF01RD



Pastel Green
TSF01PG



White
TSF01WH

Power 950 W • 2 extra-wide slots 36mm • 6 browning levels • 3 pre set programs: Reheat, Defrost, Bagel
• Automatic pop-up • Polished stainless steel crumb tray • Illuminated control knobs

RETAIL PRICE RM 1,425 | PROMO RM 1,210



2-SLICES TOASTER **TSF01**
KETTLE **KLF03**

Rose Gold

Special Edition



Rose Gold
TSF01RG

RETAIL PRICE RM 2,035



Rose Gold
KLF03RG

RETAIL PRICE RM 2,035



2-SLICES TOASTER **TSF01**
KETTLE **KLF03**

Matt Gold

Special Edition



Matt Gold
TSF01CHM

RETAIL PRICE RM 1,580
PROMO RM 1,345



2-SLICES TOASTER **TSF01**
KETTLE **KLF03**

Matt Black

Special Edition



Matt Black
TSF01BLM
RETAIL PRICE RM 1,580
PROMO RM 1,345



Matt Black
KLF03BLM
RETAIL PRICE RM 1,580
PROMO RM 1,345

ACCESSORIES

for stand mixer



SMFC01
Fettuccine Cutter
Accessory

RETAIL PRICE RM 760
PROMO RM 645



SMPR01
Pasta Roller

RETAIL PRICE RM 930
PROMO RM 790



SMTC01
Tagliolini Cutter
Accessory

RETAIL PRICE RM 790
PROMO RM 670



SMSC01
Spaghetti Cutter
Accessory

RETAIL PRICE RM 735
PROMO RM 625



SMPC01
Pasta Roller & Cutter Set

RETAIL PRICE RM 1,860
PROMO RM 1,580



SMGB01
Glass Bowl

RETAIL PRICE RM 1,195
PROMO RM 1,015



SMIC01
Ice Cream Maker
with Accessories

RETAIL PRICE RM 1,180
PROMO RM 1,000



SMIC02
Additional container for
Ice Cream Maker
SMIC01

RETAIL PRICE RM 885
PROMO RM 755



SMPS01
Pouring Shield

RETAIL PRICE RM 85
PROMO RM 72



SMMG01
Multi Food Grinder

RETAIL PRICE RM 860
PROMO RM 730



SMWW02
Wire Whisk
for stand mixer

RETAIL PRICE RM 170
PROMO RM 145

ACCESSORIES

for small appliances



HBFP01 - Blender
Food Processor
accessory for Smeg
Hand Blender

RETAIL PRICE RM 1,160
PROMO RM 985



BGF01
Tritan Bottle BPA free
with lid and spout for
use with Smeg Blender

RETAIL PRICE RM 450
PROMO RM 385



TSBW01
Bun Warmer
for toaster

RETAIL PRICE RM 210
PROMO RM 178



TSSR01
Sandwich Racks
for toaster

RETAIL PRICE RM 305
PROMO RM 260



*Warranty:
Please visit our website
kitchshop.my/warrantyandservices*

Kitch was incorporated in 1999 as the marketing arm of Kosion Trading (M) Sdn Bhd to cater to the growing needs of the kitchen industry in Malaysia. Our aim is to bring the best in quality fittings and appliances for the kitchen to consumers who want products that will last for years.

With more than 20 years of experience in supplying fittings and materials to the furniture and wood-working industry, we have slowly been evolving into a specialist supplier for the kitchen industry over the past 10 years. Today, we are a leading supplier to the kitchen industry in Malaysia. Our range of products can be seen in many kitchen showrooms throughout Malaysia as well as in exclusive property development show units. In addition, we work with many of the leading kitchen designers and interior designers to introduce the latest trends and technology in kitchen design and planning to Malaysian consumers.

Our commitment to the kitchen industry is backed by our competent staff who are on hand to provide planning information as well as after-sales servicing to both industry personnel and consumers alike.

We maintain our own product showrooms in Kuala Lumpur and Petaling Jaya. At these showrooms, visitors can view our current range of products, including Salice fittings from Italy, Smeg appliances from Italy, and Vintec products from Denmark.

Authorised Dealer

