



CREATING A HEALTHIER WAY OF LIVING

CATALOGUE 2022 VOL.2



Rinnai

INNER FLAME SERIES



3 Inner Burner Gas Hob RB-3CGT

RM 5,821



Gas Input (LPG) L/R 3.6kW C 1.5kW

Product Dimension W 853mm D 434mm H 66mm
Cut-out Dimension W 815mm D 405mm

- | | | |
|-----------------------|----------------------|--------------------|
| Inner Flame | High Heat Efficiency | Schott Ceran Glass |
| Timer | Safety Device | Simmer Control |
| Cast Iron Pan Support | Battery Ignition | |

2 Inner Burner Gas Hob RB-2GI

RM 2,292



Gas Input (LPG) L/R 3.5kW

Product Dimension W 780mm D 466mm H 66mm
Cut-out Dimension W 703mm D 403mm

- | | | |
|------------------|----------------------|-----------------------|
| Inner Flame | High Heat Efficiency | Tempered Glass |
| Safety Device | Simmer Control | Cast Iron Pan Support |
| Battery Ignition | | |



Tornado Inner Flame



Versatile Flame Settings With Simmer

Perfect flame control with powerful, controllable and even heating, providing the ideal setting to cook your favourite Asian dishes.

Save Gas And Cooking Time

The Inner Flame burner helps reduce energy - it heats the cookware from the middle - resulting in less heat lost.

2 Inner Burner Gas Hob

RB-2CGT

RM 4,475



Gas Input (LPG) L/R 3.6kW

Product Dimension W 738mm D 434mm H 66mm
Cut-out Dimension W 703mm D 403mm

- Inner Flame
- High Heat Efficiency
- Schott Ceran Glass
- Timer
- Safety Device
- Simmer Control
- Cast Iron Pan Support
- Battery Ignition

3 Inner Burner Gas Hob

RB-3SI-C-S

RM 2,415



Gas Input (LPG) L/R 3.6kW C 1.4kW

Product Dimension W 870mm D 510mm H 73mm
Cut-out Dimension W 725 - 840mm D 435 - 480mm

- Inner Flame
- High Heat Efficiency
- Stainless Steel Top
- Safety Device
- Simmer Control
- Cast Iron Pan Support
- Flexible Cut-out
- Battery Ignition



Water Boiling Test

*Based on Japan internal test

	Inner Flame	Normal Flame
Gas Input	3.6kW	4.2kW
Boiling Time	348 sec	414 sec
Heat Efficiency	52%	40%



Rinnai's Original Combustion Technology

Armed with 52% heat efficiency (JIS standards), the Inner Flame burner cooks faster and uses lesser gas than conventional gas hobs with 40% heat efficiency.



Protection From The Wind

You no longer have to worry about leaving the windows open when cooking - the Tornado Inner Flame is isolated and protected from surrounding winds.



Timer

Allows you to conveniently set cooking timer up to 4 hours for more controlled cooking. Flame will auto cut-off when time is up.



Aluminium Louvre

Oxygen can be drawn in rapidly for more efficient gas burning.



Inner Drip Pan

Overboiled soup will flow into the inner drip pan, which can be easily taken out for cleaning.



Cast Iron Pan Support

Cast iron pan support is solid and never deforms in shape. It ensures stability of your wok and pan.

HYPER FLAME SERIES



3 Hyper Burner Gas Hob RB-93UG

RM 2,591



Gas Input (LPG) L/R 5.5kW C 2.0kW
Gas Input (NG) L/R 5.3kW C 1.9kW

Product Dimension W 880mm D 520mm H 70mm
Cut-out Dimension W 705 - 840mm D 405 - 480mm

Flexible Cut-out	Simmer Control	Sealed Burner
Schott Glass	Safety Device	Battery Ignition
Cast Iron Pan Support	Rubber Legs Attached	

2 Hyper Burner Gas Hob RB-72G

RM 2,028



Gas Input (LPG) L/R 5.5kW
Gas Input (NG) L/R 5.3kW

Product Dimension W 770mm D 460mm H 70mm
Cut-out Dimension W 650 - 730mm D 350 - 410mm

Flexible Cut-out	Simmer Control	Sealed Burner
Schott Glass	Safety Device	Battery Ignition
Cast Iron Pan Support	Rubber Legs Attached	



Rinnai's Most Powerful 5.5kW Flame From Japan Technology

Armed with the **Hyper Burner**, this hob features a super powerful wok-style flame to suit Asian cooking styles. It's by far the highest gas input hob among our range.

2 Hyper Burner Gas Hob
RB-92G

RM 2,159



Gas Input (LPG) L/R 5.5kW
Gas Input (NG) L/R 5.3kW

Product Dimension W 880mm D 520mm H 70mm
Cut-out Dimension W 705 - 840mm D 405 - 480mm

- | | | |
|-----------------------|----------------------|------------------|
| Flexible Cut-out | Simmer Control | Sealed Burner |
| Schott Glass | Safety Device | Battery Ignition |
| Cast Iron Pan Support | Rubber Legs Attached | |

2 Hyper Burner Gas Hob
RB-72S

RM 1,832



Gas Input (LPG) L/R 5.5kW

Product Dimension W 760mm D 460mm H 70mm
Cut-out Dimension W 650 - 730mm D 350 - 410mm

- | | | |
|-----------------------|----------------------|------------------|
| Flexible Cut-out | Simmer Control | Sealed Burner |
| Stainless Steel Top | Safety Device | Battery Ignition |
| Cast Iron Pan Support | Rubber Legs Attached | |



Flexible Cut-Out Size

Both the glass and stainless steel top plate fit the hob into any cut-out dimension as stated without requiring further modification to your counter-top. Good as a replacement hob!



5.5kW Flame

Emits the most powerful 5.5kW flame via the Hyper Burner to ensure maximum heating power for best flavours in cooking, especially the famous "Wok Hei" in Asian cooking.



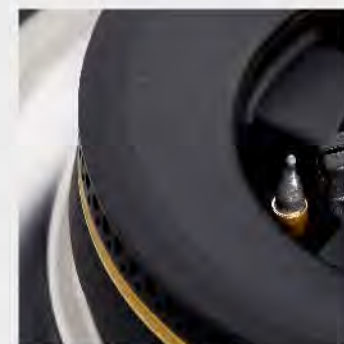
Sealed Burner

Messy spillages are minimised and cleaning the hob is quick and easy.



5-Legged Cast Iron Pan Support

Cast iron pan support is solid and never deforms in shape. It ensures stability of your wok and pan.



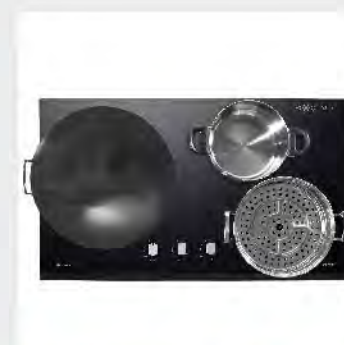
Safety Device

When the burner is accidentally extinguished, the thermostat reacts and shuts off the gas supply to the burner.



Schott Glass

Durable and heat resistant Schott Glass.



Wide Distance for Extra Cooking Space

Thoughtfully designed with ample space between burners, allowing comfortable use of a wok and two pots simultaneously.

FLEXI SERIES



3 Flexi Burner Gas Hob
RB-983G

RM 2,004



Gas Input (LPG) L/R 5.0kW C 2.0kW

Product Dimension W 880mm D 520mm H 145mm
Cut-out Dimension W 705 - 840mm D 405 - 480mm

- Flexible Cut-out
- Simmer Control
- Sealed Burner
- Safety Device
- Tempered Glass
- Battery Ignition
- Matt Enamel Pan Support
- Rubber Legs Attached

2 Flexi Burner Gas Hob
RB-982G

RM 1,674



Gas Input (LPG) L/R 5.0kW

Product Dimension W 880mm D 520mm H 145mm
Cut-out Dimension W 705 - 840mm D 405 - 480mm

- Flexible Cut-out
- Simmer Control
- Sealed Burner
- Safety Device
- Tempered Glass
- Battery Ignition
- Matt Enamel Pan Support
- Rubber Legs Attached

2 Flexi Burner Gas Hob
RB-782G

RM 1,563



Gas Input (LPG) L/R 5.0kW

Product Dimension W 780mm D 460mm H 145mm
Cut-out Dimension W 650 - 730mm D 350 - 410mm

- Flexible Cut-out
- Simmer Control
- Sealed Burner
- Safety Device
- Tempered Glass
- Battery Ignition
- Matt Enamel Pan Support
- Rubber Legs Attached

flexiHob
Look nice. Fit right for most kitchen top cut-out.



3 Flexi Burner Gas Hob RB-38HS

RM 1,594



Gas Input (LPG) L/R 4.5kW C 1.5kW

Product Dimension W 760mm D 450mm H 150mm
Cut-out Dimension W 680 - 720mm D 380 - 410mm

- Flexible Cut-out
- Simmer Control
- Sealed Burner
- Safety Device
- Stainless Steel Top
- Battery Ignition
- Matt Enamel Pan Support
- Rubber Legs Attached

2 Flexi Burner Gas Hob RB-27HS

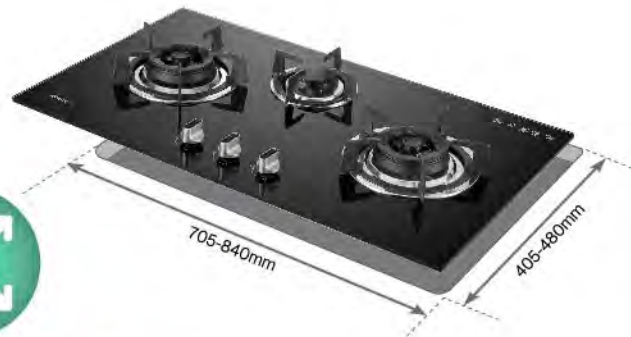
RM 1,489



Gas Input (LPG) L/R 4.5kW

Product Dimension W 730mm D 420mm H 150mm
Cut-out Dimension W 650 - 680mm D 350 - 380mm

- Flexible Cut-out
- Simmer Control
- Sealed Burner
- Safety Device
- Stainless Steel Top
- Battery Ignition
- Matt Enamel Pan Support
- Rubber Legs Attached



Flexible Cut-Out Size

Both the glass and stainless steel top plate fit the hob into any cut-out dimension as stated without requiring further modification to your counter-top. Good as a replacement hob!



Flame with Simmer Control

The double ring burner features a powerful flame with simmer control for greater cooking versatility and is suitable for any type of cooking from Asian to Western.



Delicate Simmer Flame

Flame can be adjusted low enough to simmer soups and stews.



Sealed Burners

Messy spillages are minimised and cleaning the hob is quick and easy.



Battery Ignition & Safety Device

Fast and easy, with no electrical wiring. Easy to replace battery too. When the burner is accidentally extinguished, the thermostat reacts and shuts off the gas supply to the burner.



Rubber Legs

The attached rubber legs allow you to place the hob directly on the kitchen workspace, without having to cut a hole or modify the kitchen top.

ECONOMY SERIES



3 Burner Gas Hob RB-713N-G

RM 1,211



Gas Input (LPG) L/R 3.7kW C 1.6kW

Product Dimension W 780mm D 465mm H 67mm
Cut-out Dimension W 650 - 735mm D 350 - 421mm

- | | | |
|----------------|------------------|-------------------------|
| Sealed Burner | Flexible Cut-out | Matt Enamel Pan Support |
| Tempered Glass | Battery Ignition | Rubber Legs Attached |

2 Burner Gas Hob RB-712N-G

RM 1,036



Gas Input (LPG) L/R 3.7kW

Product Dimension W 780mm D 465mm H 67mm
Cut-out Dimension W 650 - 735mm D 350 - 421mm

- | | | |
|----------------|------------------|-------------------------|
| Sealed Burner | Flexible Cut-out | Matt Enamel Pan Support |
| Tempered Glass | Battery Ignition | Rubber Legs Attached |

Domino Double Burner RB-3312S-GBS

RM 2,141



Gas Input (LPG) L 3.5kW S 1.7kW
Product Dimension W 310mm D 520mm H 130mm
Cut-out Dimension W 272mm D 490mm

- | | |
|------------------|-----------------------|
| Simmer Control | Sealed Burner |
| Tempered Glass | Safety Device |
| Battery Ignition | Cast Iron Pan Support |

Domino Single Burner RB-3311S-GBS

RM 1,666



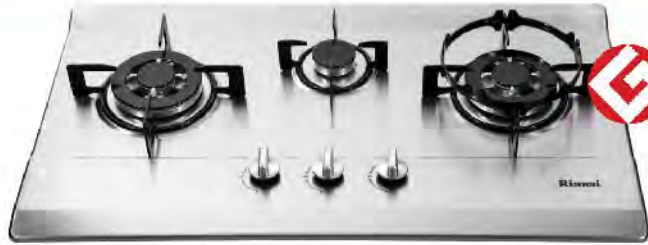
Gas Input (LPG) 3.5kW
Product Dimension W 310mm D 520mm H 130mm
Cut-out Dimension W 272mm D 490mm

- | | |
|------------------|-----------------------|
| Simmer Control | Sealed Burner |
| Tempered Glass | Safety Device |
| Battery Ignition | Cast Iron Pan Support |

3 Burner Gas Hob

RB-713N-S

RM 1,100



GOOD
DESIGN
AWARD



Gas Input (LPG) L/R 3.7kW C 1.6kW

Product Dimension W 770mm D 452mm H 72mm
Cut-out Dimension W 650 - 735mm D 350 - 421mm

- | | | |
|---------------------|------------------|-------------------------|
| Sealed Burner | Flexible Cut-out | Matt Enamel Pan Support |
| Stainless Steel Top | Battery Ignition | Rubber Legs Attached |

2 Burner Gas Hob

RB-712N-S

RM 924



GOOD
DESIGN
AWARD



Gas Input (LPG) L/R 3.7kW

Product Dimension W 770mm D 452mm H 72mm
Cut-out Dimension W 650 - 735mm D 350 - 421mm

- | | | |
|---------------------|------------------|-------------------------|
| Sealed Burner | Flexible Cut-out | Matt Enamel Pan Support |
| Stainless Steel Top | Battery Ignition | Rubber Legs Attached |



Flexible Cut-Out Size

Both the glass and stainless steel top plate fit the hob into any cut-out dimension as stated without requiring further modification to your counter-top. Good as a replacement hob!



Flame

Semi double ring ensures excellent heat distribution for quick and even cooking.



Sealed Burners

Messy spillages are minimised and cleaning the hob is quick and easy.



Battery Ignition

Fast and easy, with no electrical wiring. Easy to replace battery too.



Cast Iron Wok Stand

Additional cast iron wok stand to support a big wok for Asian cooking or stir frying.



Elegant Knobs

Ergonomic and elegantly designed knobs for the perfect combination of form and function.



Rubber Legs

The attached rubber legs allow you to place the hob directly on the kitchen workspace, without having to cut a hole or modify the kitchen top.

ELECTRIC HOB SERIES








Combi Vitroceramic & Induction Hob RB-7022HE-CB

RM 3,455



L 1.1kW / 2.2kW (ø140 / 230mm)
R 1.8kW / 2.1kW (ø220mm)

Product Dimension W 710mm D410mm H 60mm
Cut-out Dimension W 680mm D 380mm

-  Schott Ceran Glass
-  9 Power Levels
-  Touch Sensor
-  Pan Recognition Sensor (For Induction Zone)
-  Booster Function (For Induction Zone)
-  Timer
-  Residual Heat Indicator (For Vitroceramic Zone)
-  Safety Switch Off
-  Child Lock

Induction Hob RB-3022H-CB

RM 2,651



F 1.8kW/2.1kW (ø210mm) B 1.2kW/1.5kW (ø160mm)

Product Dimension W 310mm D520mm H 58mm
Cut-out Dimension W 270mm D 490mm

-  Schott Ceran Glass
-  9 Power Levels
-  Touch Sensor
-  Pan Recognition Sensor
-  Booster Function
-  Timer
-  Safety Switch Off
-  Child Lock



Vitroceramic Hob RB-3012E-CB

RM 2,314



F 1.8kW (ø200mm) B 1.2kW (ø165mm)

Product Dimension W 310mm D520mm H 50mm
Cut-out Dimension W 270mm D 490mm

-  Schott Ceran Glass
-  9 Power Levels
-  Touch Sensor
-  Residual Heat Indicator
-  Safety Switch Off
-  Timer
-  Child Lock
-  Stop / Go Function

Induction Hob
RB-7013H-CB

RM 3,938



L 1.8kW/2.1kW (ø210mm)
C 1.2kW/1.5kW (ø160mm)
R 1.8kW/2.1kW (ø210mm)

Product Dimension W 710mm D410mm H 58mm
Cut-out Dimension W 680mm D 380mm

- Schott Ceran Glass
- 9 Power Levels
- Touch Sensor
- Pan Recognition Sensor
- Booster Function
- Timer
- Safety Switch Off
- Child Lock

Vitroceramic Hob
RB-7013E-CB

RM 3,269



L 1.1kW/2.2kW (ø140/230mm)
C 1.2kW (ø165mm)
R 1.8kW (ø200mm)

Product Dimension W 710mm D410mm H 50mm
Cut-out Dimension W 680mm D 380mm

- Schott Ceran Glass
- 9 Power Levels
- Touch Sensor
- Residual Heat Indicator
- Safety Switch Off
- Timer
- Child Lock

Induction Hob
RB-5022H-CB

RM 2,651



L 1.8kW/2.1kW (ø210mm)
R 1.2kW/1.5kW (ø160mm)

Product Dimension W 520mm D290mm H 58mm
Cut-out Dimension W 490mm D 270mm

- Schott Ceran Glass
- 9 Power Levels
- Touch Sensor
- Pan Recognition Sensor
- Booster Function
- Timer
- Safety Switch Off
- Child Lock

Vitroceramic Hob
RB-5022E-CB

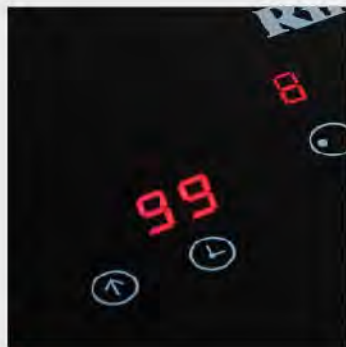
RM 2,314



L 1.8kW (ø200mm)
R 1.2kW (ø165mm)

Product Dimension W 520mm D290mm H 50mm
Cut-out Dimension W 490mm D 270mm

- Schott Ceran Glass
- 9 Power Levels
- Touch Sensor
- Residual Heat Indicator
- Safety Switch Off
- Timer
- Child Lock
- Stop / Go Function



Timer

Allows you to conveniently set cooking timer from 0-99 minutes for more controlled cooking.



Dual Circuit Zone

Select between smaller or larger cooking zone, depending on the size of your pots / pans, so you can save more energy.



Residual Heat Indicator

The indicator lights up when the surface is hot to warn against hot surface and prevent accidental burn.



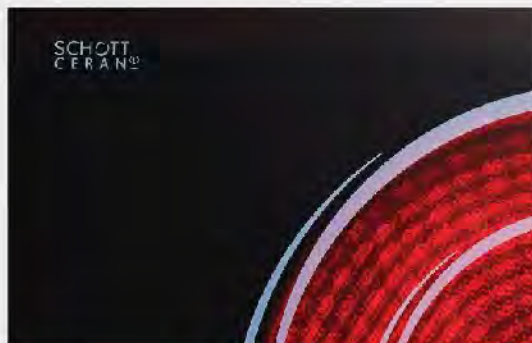
Booster Function (Induction only)

Increases to max power temporarily to quickly heat up cooking zone and save cooking time.



Child Lock

The control panel can be locked after programming to prevent a curious child from switching on the hob and also ensuring the hob does not accidentally get heated up during cleaning.



Schott Ceran Glass

When it comes to heat, Schott Ceran glass is more durable. The smooth ceramic glass surface offers practical use as well as easy maintenance.



Auto Pan Recognition Sensor (Induction Only)

Induction hobs are particularly energy saving as the cooking zone recognizes the size of the cookware, and heats up the base of the cookware and not the whole cooking zone. It also detects right base dimensions.



Induction Hobs vs Gas Hobs

Induction cooking works by creating a magnetic field that generates heat directly through the base of the cookware. Induction hobs are safe as the heat is directly transferred to the food being cooked. Even if the controls are turned on unintentionally, the hob heats up only when it detects suitable cookware placed on the cooking zone. Induction hobs boil and cook faster than gas hobs because of the heat concentration and high heat efficiency with almost no heat loss.



DESIGNER SERIES



90cm Inverter Motor Slanted Hood

RH-KT2959-GBV

RM 3,300



Suction Power 1350m³/h

Dimension W 895mm D 490mm H 970-1450mm

- | | | |
|--|--|--|
|  LED Touch Sensor Control |  LED Strip Light |  Colour Changing Mood Light |
|  3 Speed Settings |  Booster Function |  Delay Timer |
|  Ventilation |  Oil Cup |  Baffle Filter |

* 7 inch end cap and aluminium hose included.

Inverter Motor

Powerful DC Inverter motor with booster function speeds up the extraction of greasy fumes and smoke.



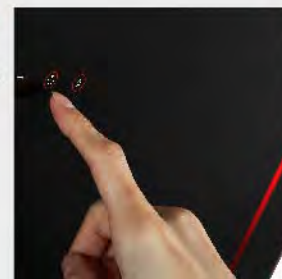
LED Mood Light

Changeable LED color mood lighting on cooker hood to complement kitchen ambience and enhances mood for cooking.



Extra Large Oil Cup

The extra large oil cup catches more oil residue and requires less frequent of cleaning.



Delay Timer

The cooker hood switches off automatically at a preset time allowing hood to continue extract the oily fumes, leaving a clean kitchen without smoke or pungent smells.

90cm Chimney Hood
RH-C91A-SSVR



RM 3,477

Suction Power 1350m³/h

Dimension W 898mm D 500mm H 567-1032mm



90cm Chimney Hood
RH-C819-GB



RM 3,220

Suction Power 1350m³/h

Dimension W 898mm D 505mm H 545-1010mm



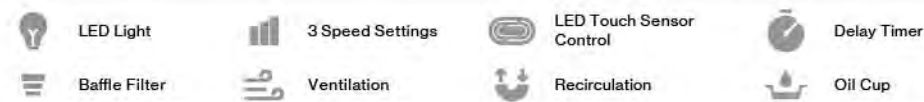
90cm Chimney Hood
RH-C3219-SSW



RM 2,776

Suction Power 1200m³/h

Dimension W 898mm D 500mm H 545-1010mm



Inner Flue Extension

RM 386

*Optional accessory for RH-C819-GB only.

Additional piece of chimney flue extension of 1200mm height is available for purchase. Suitable for ceiling height up to 11 feet.



Rectifier Panel

Full acceleration speeds up the extractions of smoke and grease.



Magnetic Lock

Rectifier panel can be easily detached for cleaning. Save the hassle of loosening the mounting screws.



Oil Collector

The large stainless steel oil cup can contain more oil and has a window to see the oil level.



Sensor Touch Control

Touch control is extremely easy to use and indicates speed, light and delay timer.



Smooth & Concentrated

With 310Pa high static pressure, fumes are extracted rapidly and able to move through the common duct unobstructed and without backflow.



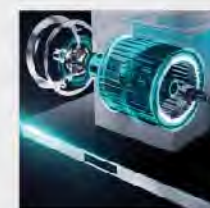
Oil Filtration Process

Baffle Filter (Internal Oil Filter) Contains double filtration to help extract rising oil fumes and grease.



Wider Suction Coverage Minimises Escape

Its extremely vast coverage area captures oil fumes directed upwards to prevent steam/fumes from dispersing. Its filtration system cleans and recirculates fresh air back into the kitchen.



Powerful Suction With Enhanced Propeller

The thicker 180mm impeller is placed vertically, housed in a larger 250mm diameter propeller resulting in pressure differences between the left and right sides. The wider air inlet area leads to more suction space and powerful airflow.

CHIMNEY SERIES



90cm Chimney Hood
RH-C1119-GCW

RM 2,451



Suction Power 1200m³/h
Dimension W 898mm D 460mm H 575-1035mm

- LED Touch Sensor Control
- LED Light
- 3 Speed Settings
- Delay Timer
- Ventilation
- Recirculation
- Oil Cup
- Baffle Filter

90cm Chimney Hood
RH-C1319-SSW

RM 2,649



Suction Power 1200m³/h
Dimension W 895mm D 505mm H 550-970mm

- LED Touch Sensor Control
- LED Light
- 3 Speed Settings
- Delay Timer
- Ventilation
- Recirculation
- Oil Cup
- Pyramid Filter

90cm Chimney Hood
RH-C95F-SSVR

RM 1,608



Suction Power 1200m³/h
Dimension W 895mm D 500mm H 548-1000mm

- LED Touch Sensor Control
- LED Light
- 3 Speed Settings
- Delay Timer
- Ventilation
- Recirculation
- Oil Cup
- Aluminium Mesh Filter
- Booster Function

90cm Chimney Hood
RH-C2859-SSW

RM 1,912



Suction Power 1200m³/h
Dimension W 895mm D 500mm H 598-1078mm

- LED Touch Sensor Control
- LED Light
- 3 Speed Settings
- Delay Timer
- Ventilation
- Recirculation
- Oil Cup
- Aluminium Mesh Filter
- Booster Function

90cm Chimney Hood
RH-C149-SS-RM

RM 1,920



Suction Power 1000m³/h
Dimension W 900mm D 500mm H 530-1010mm

- Touch Sensor Control
- LED Light
- 3 Speed Settings
- Delay Timer
- Ventilation
- Recirculation
- Oil Cup

90cm Chimney Hood
RH-C119-SS

RM 1,419



Suction Power 850m³/hr
Dimension W 898mm D 515mm H 665-1015mm

- Mechanical Control
- LED Light
- 3 Speed Settings
- Oil Cup
- Ventilation
- Recirculation

SLIM SERIES



90cm Slim Hood

RH-S259-SSV-T



RH-S259-SSR-T



RM 1,537



Suction Power 515m³/h

Dimension W 898mm D 515mm H 140mm

- Sensor Touch Control
- LED Light
- 4 Speed Settings
- Delay Timer
- Oil Cup
- Rectifier Panel
- Ventilation
- Recirculation

90cm Slim Hood

RH-S95A-SSVR

RM 736



Suction Power 490m³/h

Dimension W 896mm D 496mm H 100mm

- Mechanical Control
- LED Light
- 3 Speed Settings
- Ventilation
- Recirculation

90cm Telescopic Hood

RH-TL95C-SSVR

RM 1,016



Suction Power 600m³/h

Dimension W 899mm D 298mm H 243mm

- Mechanical Control
- LED Light
- 2 Speed Settings
- Ventilation
- Recirculation
- Auto On/Off Switch

60cm Slim Hood

RH-S65A-SSVR

RM 590



Suction Power 490m³/h

Dimension W 596mm D 496mm H 100mm

- Mechanical Control
- LED Light
- 3 Speed Settings
- Ventilation
- Recirculation

60cm Telescopic Hood

RH-TL65C-SSVR

RM 864



Suction Power 600m³/h

Dimension W 599mm D 298mm H 243mm

- Mechanical Control
- LED Light
- 2 Speed Settings
- Ventilation
- Recirculation
- Auto On/Off Switch

ELECTRIC OVEN SERIES



60cm Oven
RO-E6208TA-EM

RM 3,246

70^{lt} XL
CAPACITY



Overall Dimension W 594mm D 568.8mm H 594mm
Cut-out Dimension W 558mm D 550mm H 595mm

Temperature setting: 60c - 260c

- | | | |
|---------------------------------------|--|------------------------------------|
| 3D Circular Heating | Mirror Reflective Glass With Stainless Steel Frame | Triple Glazed Removable Glass Door |
| Rotary Knobs With Touch Control Panel | Digital Timer With Auto End Cook | Cooling Fan |
| Rotisserie | Energy Efficiency Class: A | Extra-large Capacity: 70lt |

8 Cooking Functions

- | | | | |
|--------------|--|---|---------|
| Oven Light | Top & Bottom Heating Elements / Conventional | Bottom Heating with Fan / Delicate Cook | Grill |
| Upper Heater | Grill and Fan | Circular Heating Elements with Fan / 3D Hot Air | Defrost |

60cm Oven
RO-E6206XA-EM

RM 2,872

70^{lt} XL
CAPACITY



Overall Dimension W 594mm D 568.8mm H 594mm
Cut-out Dimension W 558mm D 550mm H 595mm

Temperature setting: 60c - 260c

- | | | |
|--|------------------------------------|--------------------------------------|
| Mirror Reflective Glass With Stainless Steel Frame | Triple Glazed Removable Glass Door | Rotary Knobs With Electronic Display |
| Digital Timer With Auto End Cook | Cooling Fan | Rotisserie |
| Energy Efficiency Class: A | Extra-large Capacity: 70lt | |

6 Cooking Functions

- | | | | |
|--------------|--|-------|--|
| Oven Light | Grill and Fan | Grill | Top & Bottom Heating Elements with Fan |
| Upper Heater | Top & Bottom Heating Elements / Conventional | | |

MICROWAVE OVEN SERIES



Removable Door

The glass door can be detached easily so that the oven cavity can be cleaned more easily and thoroughly.



Extra-Large Cavity

The 70lt extra-large cavity offers you extra space for flexible cooking.



3D Circular Fan

The circular heating distribute heat evenly so that you can cook different types of food on different shelves simultaneously without worrying that the smells and tastes will be transferred from one dish onto another.



Multifunction

Each function is designed to give you the most ideal cooking method to suit your recipe and to provide the best results. For e.g, Fan & Grill function ensure your large roast is being cooked through.



Sensor Touch Timer

You can use the timer to count down the cooking time or program your oven to start/stop at a particular time.

Measurements in mm.

* For bench top installation, minimum 5mm ventilation gap is required on both sides of appliance. If oven installed below a hob, minimum 30mm ventilation gap is required between hob and oven or refer to required distance instructed in the hob manufacturer's instruction manual. Follow the higher distance if in doubt.

25lt Combi Microwave with Grill

RO-M2561-SM

RM 1,643



Overall Dimension W 595mm D395mm H 390mm
Cut-out Dimension W 560mm D 440mm H 365mm

- 6 microwave power levels
- 8 auto cooking menus
- Electronic control
- Quick Start
- Speedy weight defrost
- Cooking end signal
- Rotary selector dial
- Digital clock
- Child Lock
- Easy to clean stainless steel frame
- Microwave power output: 1,400W
- Grill power: 1,000W
- ø 270mm glass turntable
- Grill rack (x1)



Auto Cook Functions

This microwave oven comes with 8 auto cooking functions. Roasted chicken is 1 pre-programmed setting that combines both convection heat and microwave.



Microwave with Grill

Grill cooking is suitable for thin slices of meat, steaks, chops, kebabs, sausages and chicken.



Dial Knob Control

Rotary selector to set the weight, temperature or select auto-menu.



Stainless Steel Cavity

Durable cavity. Easy to clean.



Gas Clothes Dryer
RDT-90-RM-S

RM 4,300



Gas Clothes Dryer
RDT-62-RM-W

RM 3,535



Overall Dimension W 650mm D 641mm H 684mm

	Maximum Drying Content: 9kg		Gas Consumption: 4.65kW (4000kcal/h)
	Standard Drying Time: 90 min (approximately)		Weight (Body only): 33kg
	Power Consumption: 250W (at standby, 0.2W)		Power Cord Length: 1.5 meters
	Function: General, Thick, Eco, Sheet/ Blanket Self clean		

Overall Dimension W 650mm D 561mm H 684mm

	Maximum Drying Content: 6-6.5kg		Gas Consumption: 4.65kW (4000kcal/h)
	Standard Drying Time: 60 min (approximately)		Weight (Body only): 30kg
	Power Consumption: 250W (at standby, 0.2W)		Power Cord Length: 1.5 meters
	Function: General, Thick & Extra, Warm, Delicate, Timer, Fast 1KG		

Optional accessory



Standing Rack 2
OP-DS-80HSF
RM 740



Standing Rack 1
OP-DS-60HSF
RM 450



Wall Rack
OP-WS-60HSF
RM 280



2 Weeks On-site Free Trial

We have a Free 14-Day Demo for our gas clothes dryer, where our technician will install the dryer at your home, along with a gas cylinder. During this 14-Day Demo period, you are free to use the gas dryer as you wish and ask us any questions about it!

At this moment, we only offer the Free 14-Day Demo to Klang Valley. If you are currently from outside of Klang Valley, we can arrange depending on location and case-by-case basis.



	UNDER SUN	ELECTRIC DRYER	GAS DRYER
COST	0	\$\$\$\$	\$\$
FLUFFINESS	👍	👍👍	👍👍👍👍
DRYING TIME	👍	👍👍	👍👍👍
ANTI-BACTERIA	👍👍👍👍	👍👍👍	👍👍👍👍
SPACE	👍	👍👍👍👍	👍👍👍👍
WEATHER	👍	👍👍👍👍	👍👍👍👍

Soft & Fluffy

- A built-in microchip sensor constantly monitors humidity at half-second intervals to prevent over drying.
- Water vapour produced during gas combustion keeps your clothes soft & fluffy.

KILLS MORE THAN 99% OF GERMS



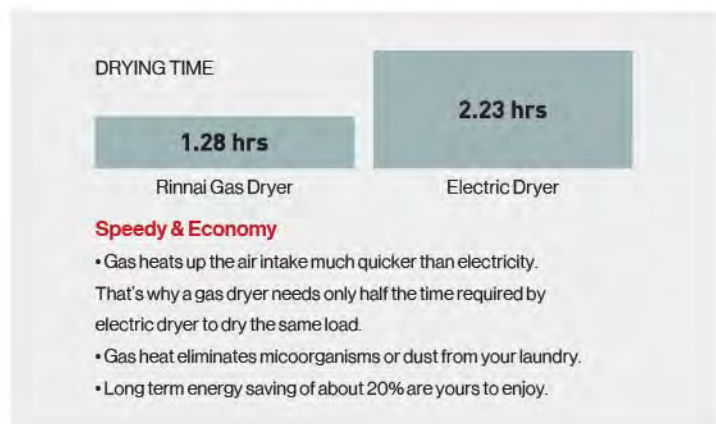
Indoor Drying Increases Bacteria Growth

Drying laundry indoors may lead to rapid growth of bacteria on clothes. As a result, your clothes may smell, and you're more susceptible to diseases such as otitis media, asthma and respiratory infection.

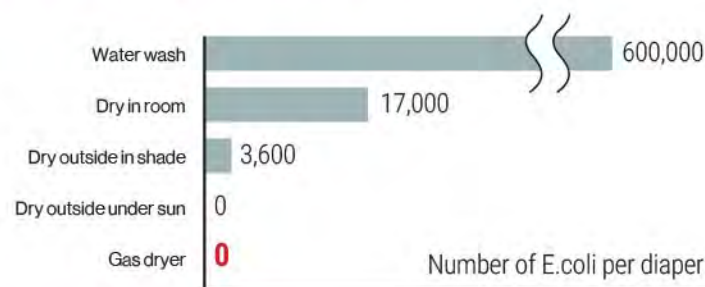


Outdoor Drying Exposes Clothes to Pollutants

Poor outdoor air quality means that the laundry hung outside for long period of time would accumulate large quantity of PM2.5 particles (atmospheric particulate matters that have a diameter of less than 2.5 micrometers) that can cause skin allergy among children.



Comparison disinfection of E.coli (Escherichia coli)



Easy Operation

- A computerized user-friendly control panel offers the ease of one-touch operation.
- There are different programs to suit different fabric materials.
- With the built-in sensor, you don't even need to set a timer to ensure best drying results.

Ideal for baby clothes drying

Our dryer demonstrates the same level of disinfection effect as sun-dried. Moreover, since there is no need for external drying, there is no worry that particulates such as dust and exhaust gas will adhere.



Fast 1KG Quickie

<20 min quick drying of small amount of clothes for 1kg

WATER HEATING SYSTEM SERIES



Infinity 26 External Gas Water Heater

REU-A2626WD-GEN

RM 3,617



Remote Controller

MC-601-A (UC)

(optional accessory)

RM 280



Gas Input (LPG/NG) Input Rating Max: 47,500 kcal/h
Input Rating Min: 4,000 kcal/h

Operation 220v-240v / 50Hz-60Hz

Multi Supply Points 4-5 Bathrooms

Factory Pre-set Temp 55°C

Fixed Temp by DipSW 40,42,50,55,60,65°C

Casing Colour Euro White

Product Dimension W 356mm D 182mm H 503mm

* Multi Supply Points: The number of point the Gas Hot Water Heater can supply depends on water pressure, ambient water temperature and the outlets' water flow capacity.

Superior Japanese Technology & Quality

5 Star Energy Ratings

Compact Size & Space Saving

Environmental Friendly

Highly Safe & Efficient

Endless Hot Water

Economical Operation

Multiple Point Connections

Rapidstart Technology for Faster Hot Water

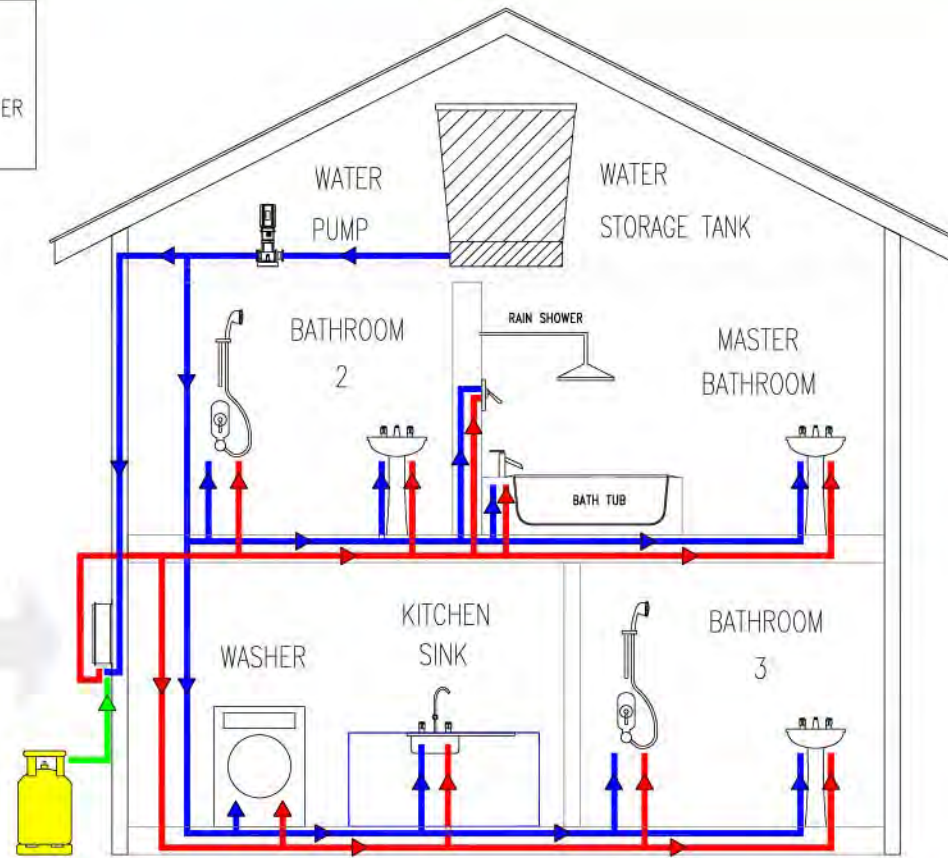
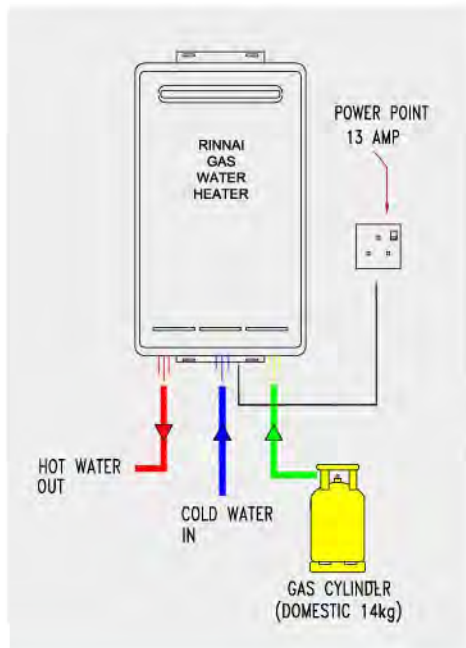
Easy Connection For Controller

No Transformer

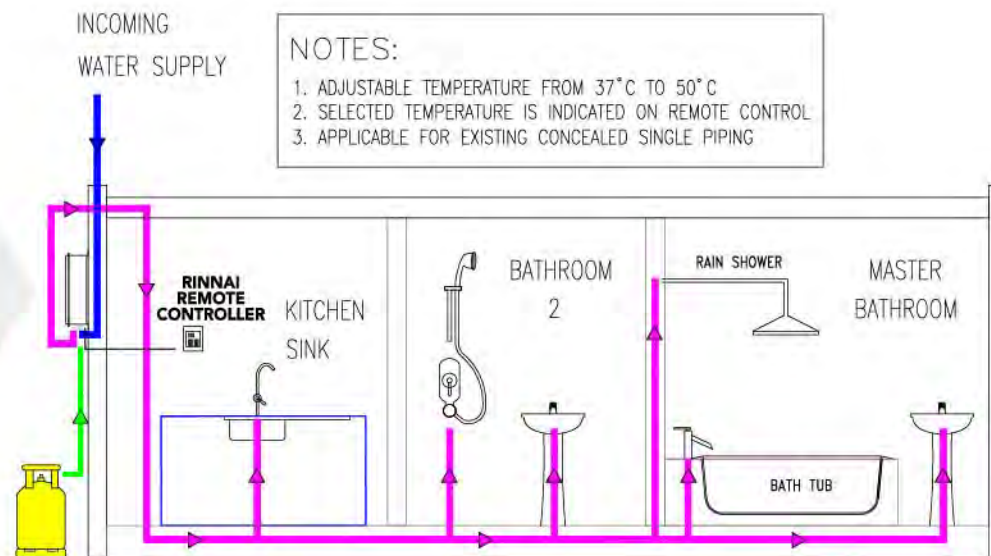
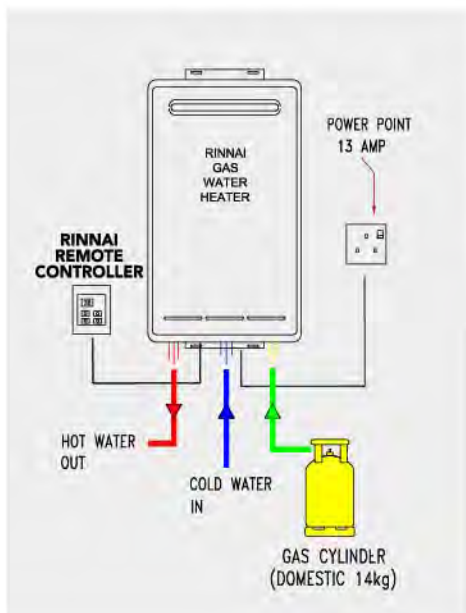
Mixer Option

Notes

1. HEATER TEMPERATURE PRESET @ 55 C
2. MANUALLY ADJUST SHOWER/TAP TEMPERATURE USING MIXER
3. SEPARATE HOT & COLD PIPING ARE REQUIRED



Remote Auto Setting



NOTES:

1. ADJUSTABLE TEMPERATURE FROM 37°C TO 50°C
2. SELECTED TEMPERATURE IS INDICATED ON REMOTE CONTROL
3. APPLICABLE FOR EXISTING CONCEALED SINGLE PIPING

SEN SERIES



SEN SERIES

ELECTRIC INSTANT WATER HEATER

Sandy Beach (BG)

REI-E380DP-C-BG (DC Inverter Pump) RM 656
REI-E380NP-C-BG (Without Pump) RM 422



Aqua Turquoise (TQ)

REI-E380DP-C-TQ (DC Inverter Pump) RM 656
REI-E380NP-C-TQ (Without Pump) RM 422



Cirrus Cloud (WH)

REI-E380DP-B-WH (DC Inverter Pump) RM 612
REI-E380NP-B-WH (Without Pump) RM 352



Sky Blue (BL)

REI-E380DP-C-BL (DC Inverter Pump) RM 656
REI-E380NP-C-BL (Without Pump) RM 422



Water Heater Dimension (W x D x H)
Water Heater Gift Box (W x D x H)

222mm x 388mm x 102mm
250mm x 590mm x 105mm



CRYSTAL SERIES

Electric Instant Water Heater

Matte Black (MB)

REI-B380DP-MB (DC Inverter Pump)
REI-B380NP-MB (Without Pump)

RM 737
RM 430

Tough Grey (G)

REI-B380DP-G (DC Inverter Pump)
REI-B380NP-G (Without Pump)

RM 737
RM 430



Water Heater Dimension (W x D x H) 221mm x 418mm x 98mm
Water Heater Gift Box (W x D x H) 236mm x 695mm x 100mm



Optional accessory

RRS-C1XX

* Without hand shower and exclude hose.
* Suitable for both series.

RM 279



High-power hot shower

With 3.8kW heating capacity that shortens heating time, Rinnai Sen Series provides hot water faster to give you instantly relaxing hot shower, especially on a cold day.

**Earth Leakage Circuit Breaker (ELCB) (for Sen series)
Residual Current Device (RCD) (for Crystal series)**

Cuts off electricity supply in the event of current leakage.

Key Features

- 1-Knob Control**
Easy temperature control with a turn.
- Lightning & Surge Protection**
Built-in surge protector protects from lightning strikes and current leakage.
- Dual Over Temperature Safety Cut-Off**
Avoids overheating and scalding with auto-reset if water temperature exceeds set limit. (Sen series: Primary cut-off: 55°C; Secondary cut-off: 90°C) (Crystal series: Primary cut-off: 55°C; Secondary cut-off: 85°C)
- IP25 Splash-Proof Protection**
ABS plastic waterproof casing is in compliant with IP25 Safety Standard to prevent water and dust.
- Auto Flow Sensor Switch**
Shuts off heater automatically to avoid dry burn when water flow is too low.
- 5-Multi Spray Handshower**
Comes with a choice of 5 classic spray nozzles

Warranty

10 YEARS Anti-Leak Tank	5 YEARS Heating Element
5 YEARS DC Pump	2 YEARS Internal Parts

Anti-Twist Hose

Prevents the hose from getting tangled in the shower.



HEAVY COOKING SERIES



RTL-35KS (Stainless Steel)
RTL-35K (Grey)

RM 363
RM 334

6.7
kW



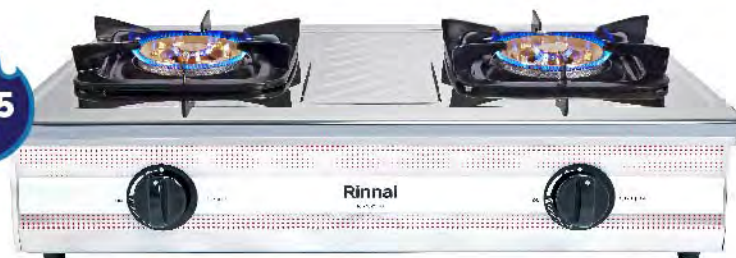
Burner
Top Plate
Dimensions
Form of Ignition
Gas Consumption(LPG)

Cast Iron
Stainless Steel
W 360mm D 480mm H 200mm
Piezo Ignition
6.7kW

RT-702SCC

RM 614

5.25
kW



Burner
Top Plate
Dimensions
Form of Ignition
Gas Consumption(LPG)

Cast Iron / Brass
Stainless Steel
W 694mm D 468mm H 201.5mm
Piezo Ignition
L 5.25kW R 5.25kW



Double Ring Burner - Strong flame for Asian cooking

RI-4RSP

RM 1,199

6.0
kW



Burner
Top Plate
Dimensions
Form of Ignition
Gas Consumption(LPG)

Cast Iron
Stainless Steel
W 864mm D 486mm H 198.5mm
Piezo Ignition
L 6.0kW C 2.3kW R 6.0kW



RI-2RSP

RM 879

6.0
kW



Burner
Top Plate
Dimensions
Form of Ignition
Gas Consumption(LPG)

Cast Iron
Stainless Steel
W 750mm D 486mm H 198.5mm
Piezo Ignition
L 6.0kW R 6.0kW



DOMESTIC COOKING SERIES

RI-712SI

RM 704

2.9
kW



Burner Stainless Steel
Top Plate Stainless Steel
Dimensions (mm) W 720mm D 415mm H 200mm
Form of Ignition Battery Size "C" 1.5V
Gas Consumption(LPG) L 2.9kW R 2.9kW



Inner Flame Burner (Intensive flame focus) Safety Device



RI-602HTB-S

RM 349

4.5
kW



Burner Stainless Steel / Brass
Top Plate Stainless Steel
Dimensions (mm) W 720mm D 380mm H 141mm
Form of Ignition Piezo Ignition
Gas Consumption(LPG) L 4.5kW R 4.5kW



Tornado Burner - Powerful flame & high durability



RI-522M

RM 276

4.8
kW



Burner Stainless Steel / Brass
Top Plate Stainless Steel
Dimensions (mm) W 700mm D 378mm H 157mm
Form of Ignition Piezo Ignition
Gas Consumption(LPG) L 3.8kW R 4.8kW



Mega Burner - Powerful flame (for right burner only)

RI-522MM

RM 337

4.8
kW



Burner Stainless Steel / Brass
Top Plate Stainless Steel
Dimensions (mm) W 700mm D 378mm H 157mm
Form of Ignition Piezo Ignition
Gas Consumption(LPG) L 4.8kW R 4.8kW



Mega Burner - Powerful flame (for both burners)

RI-522SC

RM 180

Chili Padi
HOT

1.9
kW



Burner Stainless Steel / Brass
Top Plate Enamel
Dimensions (mm) W 700mm D 378mm H 149mm
Form of Ignition Piezo Ignition
Gas Consumption(LPG) L 1.9kW R 1.9kW



Sun Burner  Stainless Steel Head

RI-511M

RM 193

4.8
kW



Burner Stainless Steel / Brass
Top Plate Stainless Steel
Dimensions (mm) W 280mm D 380mm H 154mm
Form of Ignition Piezo Ignition
Gas Consumption(LPG) 4.8kW



Mega Burner - Powerful flame



Save More Than 10% Gas

*compared to min requirement set by local authority



Detachable Top Plate

Our table top cooker comes with a detachable top plate. This feature allows for easy cleaning and maintenance.

8 Safety Features



High heating power and heat efficiency. Therefore saves gas and cooking time



Carbon monoxide (CO) gas from incomplete combustion is maintained at a low 0.04% - prevents risks to health



Special ABS plastic knob does not crack easily



Gas pipe is coated with special anti-rust paint



Enamel-coated pan support withstands heat up to 800°C



The highest-quality gas valve lasts for 60,000 usage cycles; its performance is guaranteed up to 5 years



Type 304 stainless steel burner with excellent anti-rust quality



Sturdy construction is able to support up to 50kg of total weight



SUPREMA KITCHEN SERIES

suprema™

Brought to you by Rinnai

HANDCRAFTED SERIES

Double Bowl
SSH-2B-04

RM 2,101



Material 304 Grade Stainless Steel
Thickness 1.2mm
Finishing Satin

Overall Dimension 870mm x 440mm
Cut-out Dimensions Overmount 850 x 420 (R10mm)
Undermount 830 x 400 (R10mm)
Bowl Dimensions 450mm x 400mm (B)
350mm x 400mm (S)
Bowl Depth 230mm



Single Bowl
SSH-1B-02

RM 1,598



Material 304 Grade Stainless Steel
Thickness 1.2mm
Finishing Satin

Overall Dimension 750mm x 440mm
Cut-out Dimensions Overmount 730 x 420 (R10mm)
Undermount 710 x 400 (R10mm)
Bowl Dimensions 710mm x 400mm (B)
Bowl Depth 230mm



PRESSED BOWL SERIES

Double Bowl
SSP-2B-08

RM 987



Material 304 Grade Stainless Steel
Thickness 0.8mm
Finishing Brushed

Overall Dimension 820mm x 450mm
Cut-out Dimensions Overmount 795 x 425(R10mm)
Bowl Dimensions 420mm x 390mm (B)
310mm x 338mm (S)
Bowl Depth 205mm (B) 170mm (S)



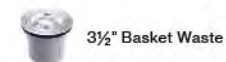
Single Bowl
SSP-1B-07

RM 683



Material 304 Grade Stainless Steel
Thickness 0.8mm
Finishing Brushed

Overall Dimension 582mm x 482mm
Cut-out Dimensions Overmount 555 x 455(R40mm)
Bowl Dimensions 480mm x 400mm
Bowl Depth 205mm



MIXER SERIES



3-Flow
Filtration Mixer

SUS 304 LED 3-Flow Kitchen Mixer | 7' Spout

S3FB-01S RM 2,002

Material	304 Grade Stainless Steel
Finishing	Hairline Finishing
Cartridge	35 mm Ceramic Cartridge 1/4 Turn Stainless Steel Cartridge
Hose	304 Stainless Steel PEX Flexible Hose
Tap Hole	ø 35 mm
Installation	Pillar
Optional Accessory	SWF-1 (3M Filter) RM 1,383

PEX



LEAD

304
STAINLESS
STEEL



Brass Kitchen Mixer | 7' Spout

SMB-02B RM 664

Material	Brass
Finishing	Chrome Plated
Cartridge	35 mm Ceramic Cartridge
Hose	304 Stainless Steel PEX Flexible Hose
Tap Hole	ø 35 mm
Installation	Pillar

COLD TAP SERIES



SUS 304 Kitchen Cold Tap | 7' Spout

STB-03S RM 332

Material	304 Grade Stainless Steel
Finishing	Hairline Finishing
Cartridge	1/4 Turn Brass Cartridge
Tap Hole	ø 28 mm
Installation	Pillar

PEX



LEAD

304
STAINLESS
STEEL



Brass Kitchen Cold Tap | 'U' Spout

STW-04B RM 264

Material	Brass
Finishing	Chrome Plated
Cartridge	1/4 Turn Brass Cartridge
Tap Hole	ø 28 mm
Installation	Wall Mounted



SUS 304 Kitchen Cold Tap | 'U' Spout

STW-05S RM 281

Material	304 Grade Stainless Steel
Finishing	Hairline Finishing
Cartridge	1/4 Turn Brass Cartridge
Tap Hole	ø 28 mm
Installation	Wall Mounted



PEX Flexible Hose

Encased in 304 Grade Stainless Steel, this flexible 'Cross-Linked Polyethylene' (PEX) hose, together with the 'brass-forged' lock nut, has a prolonged lifespan. It is corrosion and chemical resistant and is able to withstand high water temperature. Most importantly, it is odour-free and safe for drinking water.



Quick & Easy Fit

Installation can be conveniently done from the sink top with any power tool (drill) and a 4mm 'allen key' (provided) to lock it in position. You only need to go underneath the sink for the sole purpose of connecting the attached hose to the water supply. This revolutionary method is remarkably simple. In fact, it can be easily done by any able-bodied person in a matter of minutes.



"Top Mount" Fitting

With the E-Fit system in place, installing the faucet can be done ever so easily by mounting it from the top, as opposed to the arduous conventional way of having it mounted from below the kitchen sink. Now, that's precision engineering at work.



PEX Hose



LED Filter
Indicator



Lead-free
Stainless Steel



Quick & Easy Fit



Aerator



Stainless Steel

Warranty



PROMOTION PACKAGES

PLATINUM PACKAGE



90cm Chimney Hood
RH-C819-GB RM 3,220



3 Inner Burner Gas Hob **RM 3,945**
RB-3SI-C-S
RM 2,415 *Package Promo Price* ~~RM 5,635~~



2 Hyper Burner Gas Hob **RM 3,674**
RB-72G
RM 2,028 *Package Promo Price* ~~RM 5,248~~



2 Inner Burner Gas Hob **RM 5,387**
RB-2CGT
RM 4,475 *Package Promo Price* ~~RM 7,695~~



2 Hyper Burner Gas Hob **RM 3,765**
RB-92G
RM 2,159 *Package Promo Price* ~~RM 5,379~~



3 Inner Burner Gas Hob *Add on RM 942*
RB-3CGT **RM 6,329**



3 Hyper Burner Gas Hob *Add on RM 302*
RB-93UG **RM 4,068**

GOLD PACKAGE



90cm Chimney Hood
RH-C1319-SSW RM 2,649



2 Inner Burner Gas Hob **RM 3,459**
RB-2GI
RM 2,292 *Package Promo Price* ~~RM 4,941~~



2 Flexi Burner Gas Hob **RM 3,026**
RB-982G
RM 1,674 *Package Promo Price* ~~RM 4,323~~



2 Flexi Burner Gas Hob **RM 2,948**
RB-782G
RM 1,563 *Package Promo Price* ~~RM 4,212~~



3 Flexi Burner Gas Hob *Add on RM 231*
RB-983G **RM 3,257**



3 Flexi Burner Gas Hob *Add on RM 22*
RB-38HS **RM 2,970**



QiaoChu Pot
+ Gas Regulator
+ Vege Wash

Worth RM 397 !



Steamer Pot
+ Gas Regulator

Worth RM 259 !



SILVER PACKAGE



2 Burner Gas Hob
RB-712N-S RM 924



90cm Chimney Hood **RM 1,772**
RH-C95F-SSVR **Package Promo Price**
RM 1,608 ~~RM 2,532~~



90cm Slim Hood **RM 1,723**
RH-S259-SSV-T/SSR-T **Package Promo Price**
RM 1,537 ~~RM 2,461~~



90cm Telescopic Hood **RM 1,358**
RH-TL95C-SSVR **Package Promo Price**
RM 1,016 ~~RM 1,940~~



90cm Slim Hood **RM 1,162**
RH-S95A-SSVR **Package Promo Price**
RM 736 ~~RM 1,660~~



3 Burner Gas Hob
RB-713N-S **Add on RM 123**



- RH-C95F-SSVR **RM 1,895**
- RH-S259-SSV-T/SSR-T **RM 1,846**
- RH-TL95C-SSVR **RM 1,481**
- RH-S95A-SSVR **RM 1,285**



**Gas Regulator +
Vege Wash**

Worth RM 99 !



PWP



60cm Oven **RM 2,597**
RO-E6208TA-EM ~~RM 3,246~~



60cm Oven **RM 2,298**
RO-E6206XA-EM ~~RM 2,872~~



25lt Combi Microwave with Grill **RM 1,314**
RO-M2561-SM ~~RM 1,643~~

suprema
Brought to you by **Rinnai**

SUS 304 Kitchen Cold Tap

STB-03S

STW-05S



Brass Mixer

SMB-02B

SUS 304 Mixer

SMB-03S



SUS 304 3-Flow Mixer

S3FB-01S



SSP-1B-07
Overall Dimension 582mm x 482mm
Cut-out Dimension 555 x 455(R40mm)
Bowl Dimension 480mm x 400mm
Bowl Depth 205mm

Only RM 295

Only RM 452

Only RM 901



SSP-1B1D-05
Overall Dimension 800mm x 500mm
Cut-out Dimension 778 x 478 (R10mm)
Bowl Dimension 330mm x 410mm
Bowl Depth 200mm

Only RM 348

Only RM 512

Only RM 928



SSP-2B-08
Overall Dimension 820mm x 450mm
Cut-out Dimension 795 x 425(R10mm)
Bowl Dimension 420mm x 390mm (B)
310mm x 338mm (S)
Bowl Depth 205mm (B) 170mm (S)

Only RM 388

Only RM 557

Only RM 1,007



SSH-1B-02
Overall Dimension 750mm x 440mm
Cut-out Dimension 730 x 420 (R10mm)
Bowl Dimension 710mm x 400mm
Bowl Depth 230mm

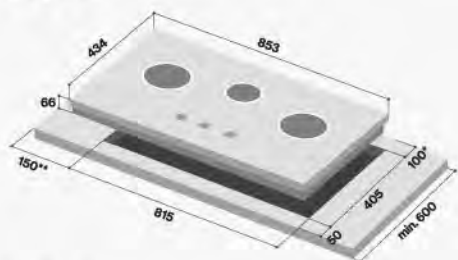
Only RM 620

Only RM 742

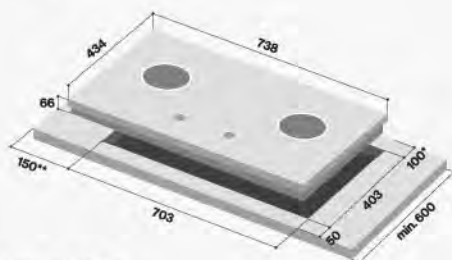
Only RM 1,192

BUILT-IN HOB INNER FLAME BURNER SERIES

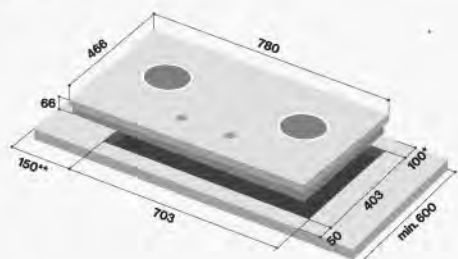
RB-3CGT



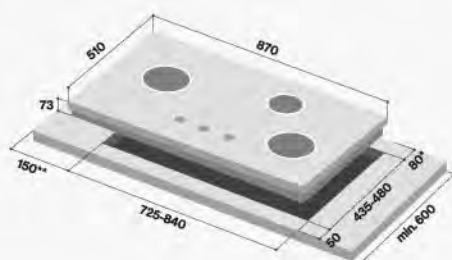
RB-2CGT



RB-2GI

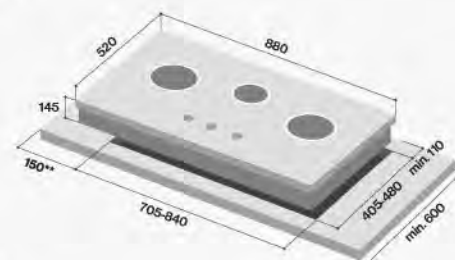


RB-3SI-C-S

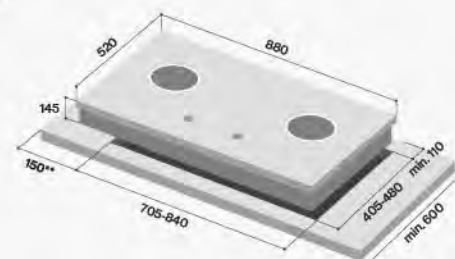


BUILT-IN HOB FLEXI BURNER SERIES

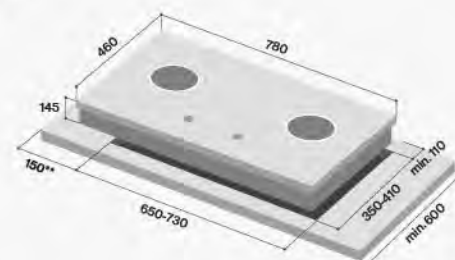
RB-983G



RB-982G

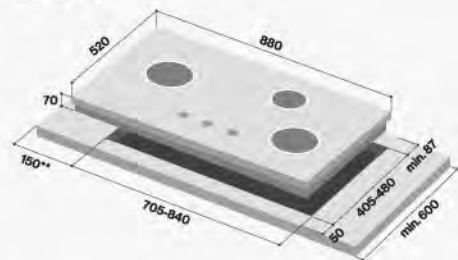


RB-782G

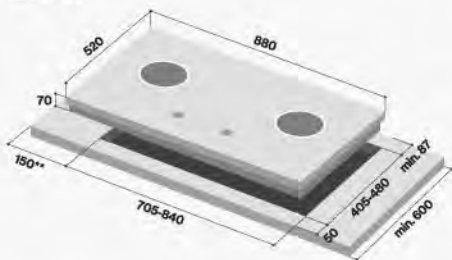


BUILT-IN HOB HYPER FLAME BURNER SERIES

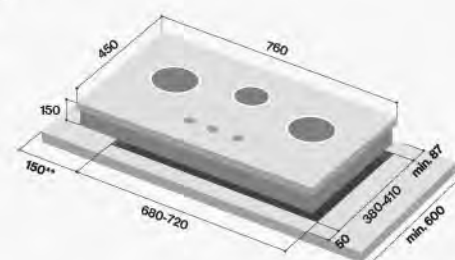
RB-93UG



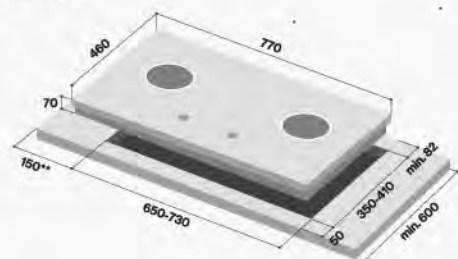
RB-92G



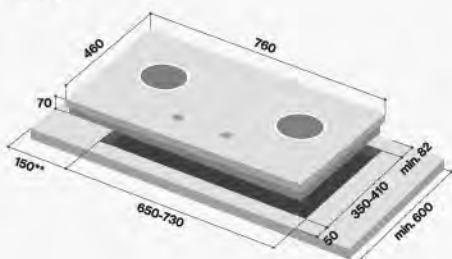
RB-38HS



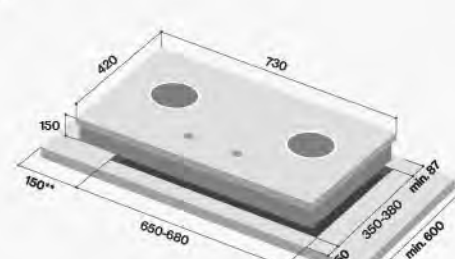
RB-72G



RB-72S

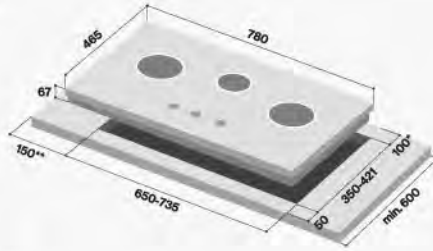


RB-27HS

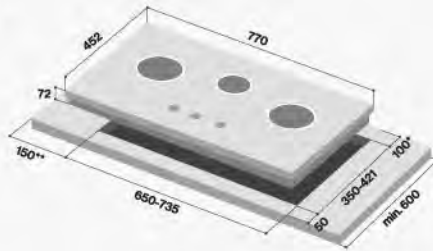


BUILT-IN HOB ECONOMY SERIES

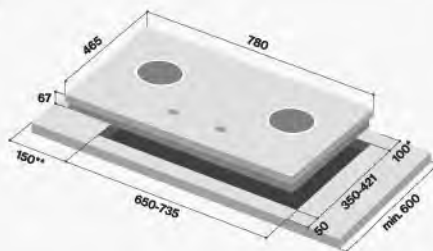
RB-713N-G



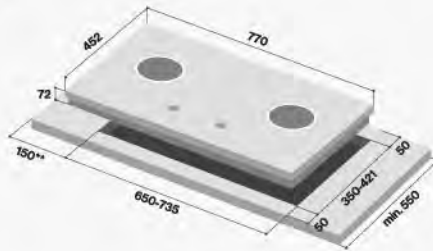
RB-713N-S



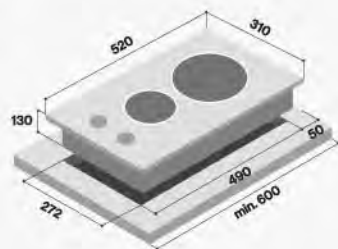
RB-712N-G



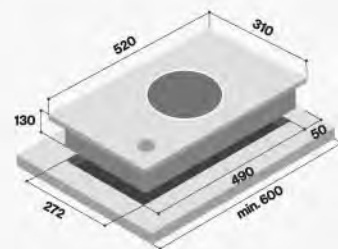
RB-712N-S



RB-3312S-GBS

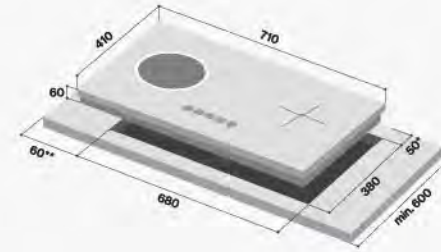


RB-3311S-GBS

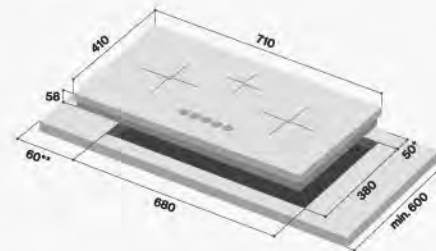


BUILT-IN HOB ELECTRIC HOB SERIES

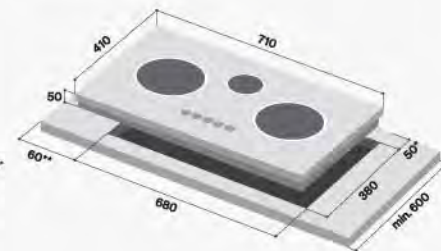
RB-7022HE-CB



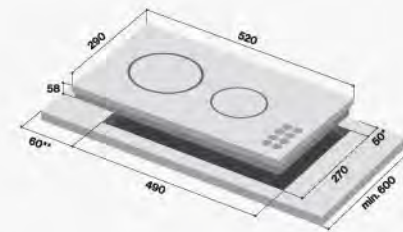
RB-7013H-CB



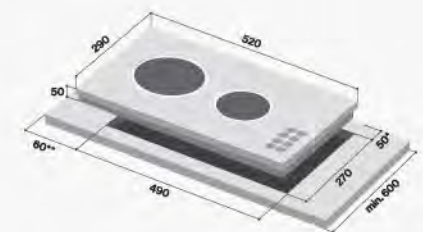
RB-7013E-CB



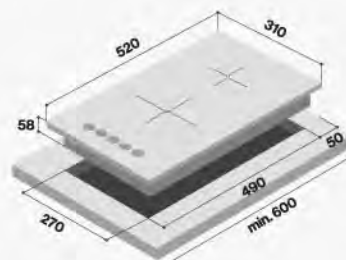
RB-5022H-CB



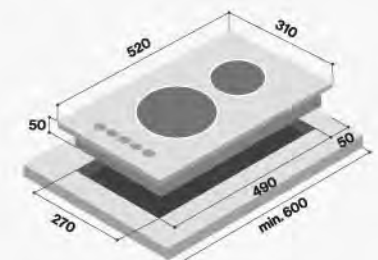
RB-5022E-CB



RB-3022H-CB

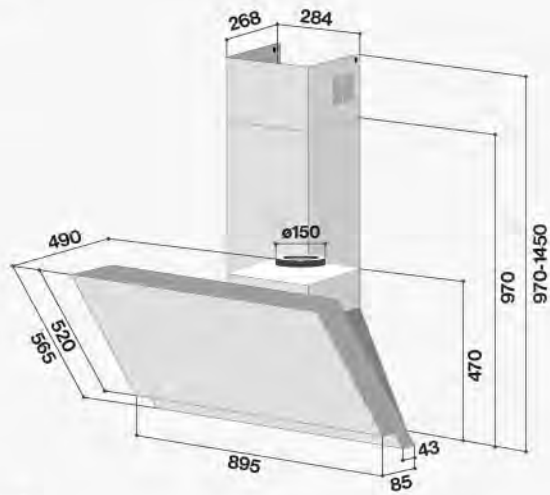


RB-3012E-CB

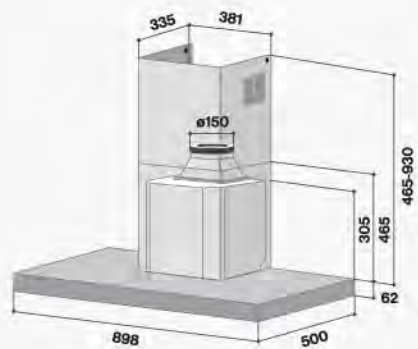


COOKER HOOD DESIGNER SERIES

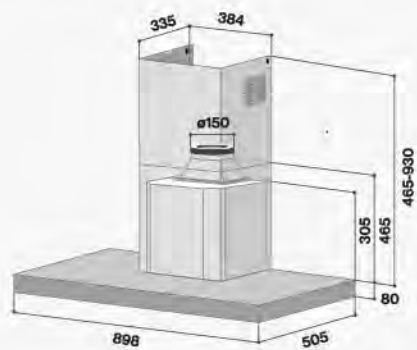
RH-KT2959-GBV



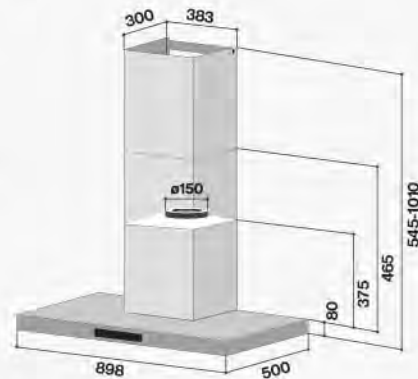
RH-C91A-SSVR



RH-C819-GB

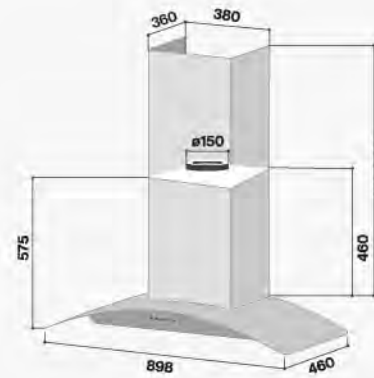


RH-C3219-SSW

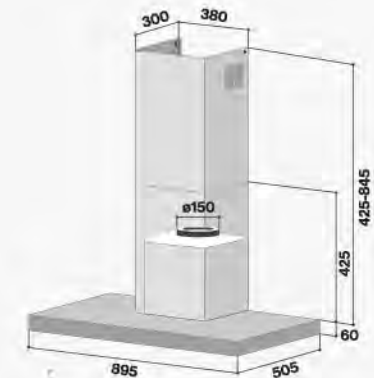


COOKERHOOD CHIMNEY SERIES

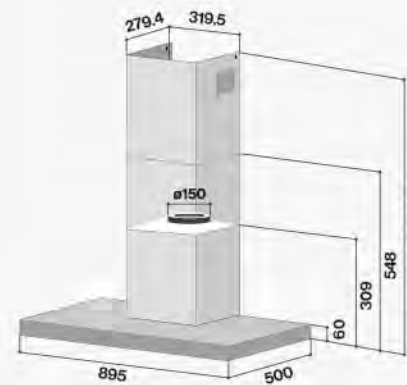
RH-C1119-GCW



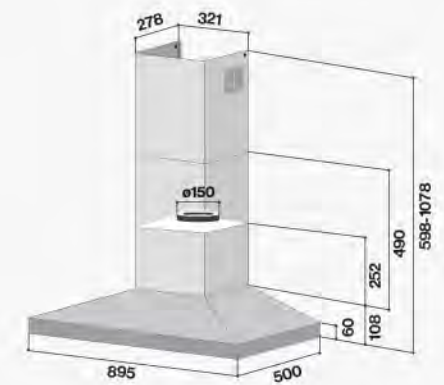
RH-C1319-SSW



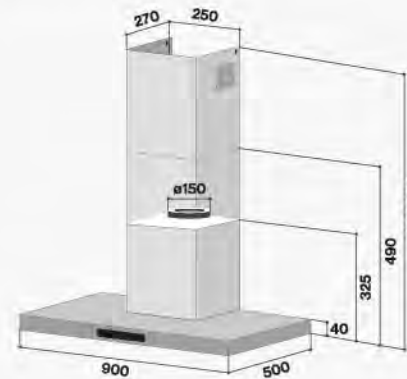
RH-C95F-SSVR



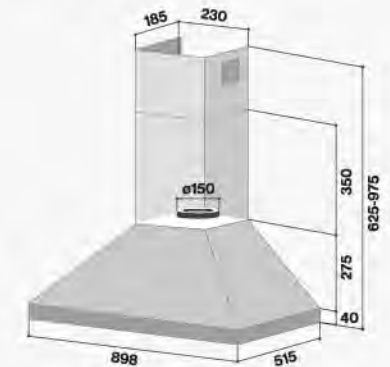
RH-C2859-SSW



RH-C149-SS-RM

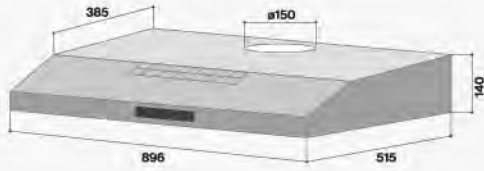


RH-C119-SS

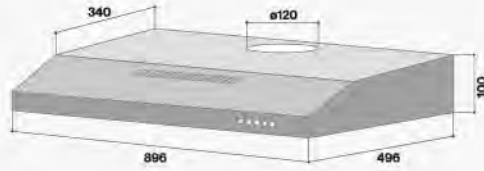


COOKER HOOD SLIM SERIES

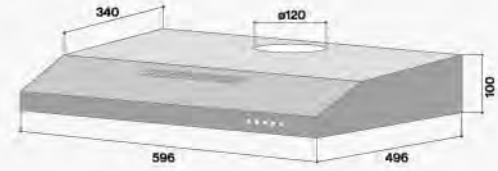
RH-S259-SSV-T/SSR-T



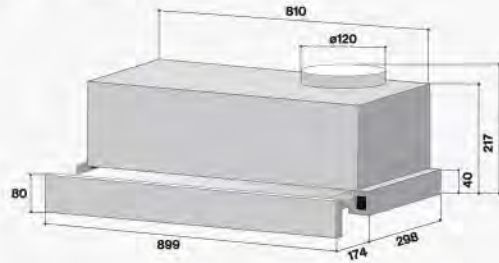
RH-S95A-SSVR



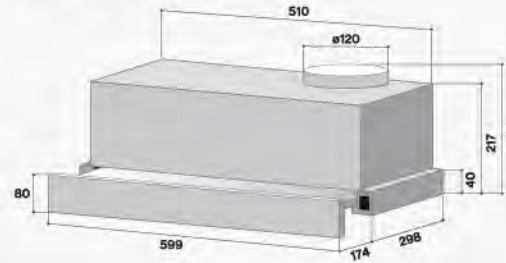
RH-S65A-SSVR



RH-TL95C-SSVR

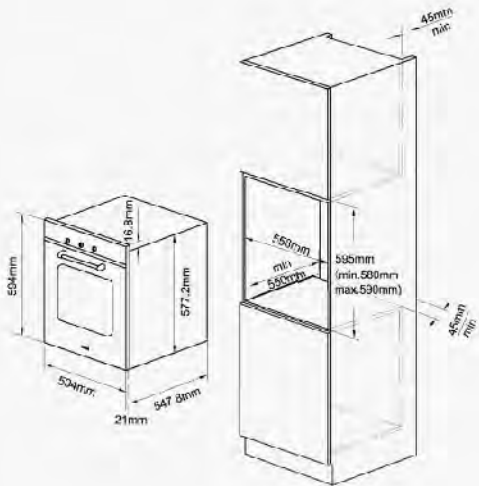


RH-TL65C-SSVR

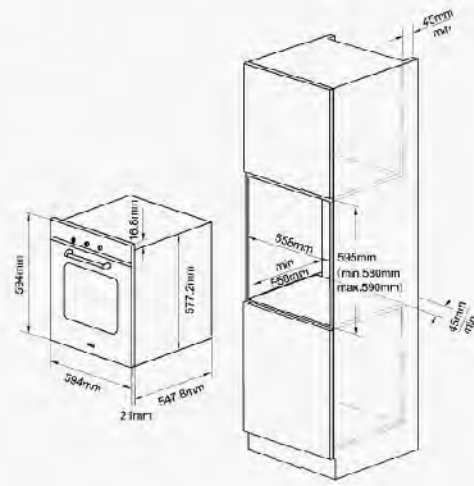


BUILT-IN OVEN ELECTRIC OVEN SERIES

RO-E6208TA-EM

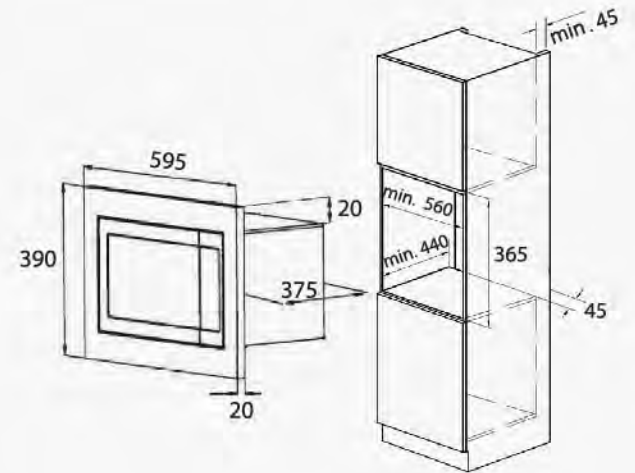


RO-E6206XA-EM



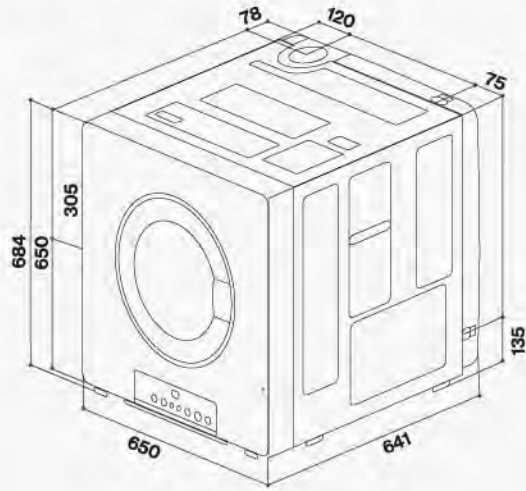
BUILT-IN OVEN MICROWAVE OVEN SERIES

RO-M2561-SM

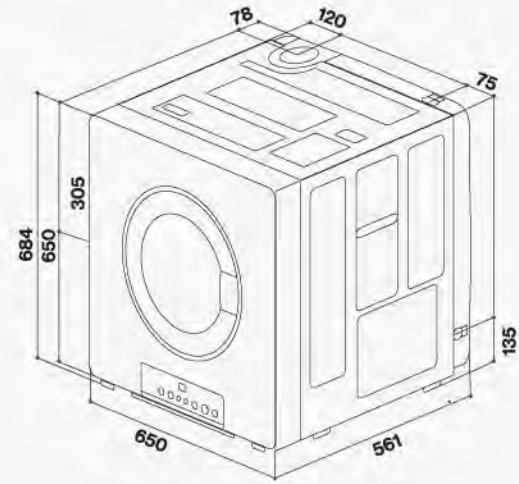


GAS CLOTHES DRYER LAUNDRY SERIES

RDT-90-RM-S

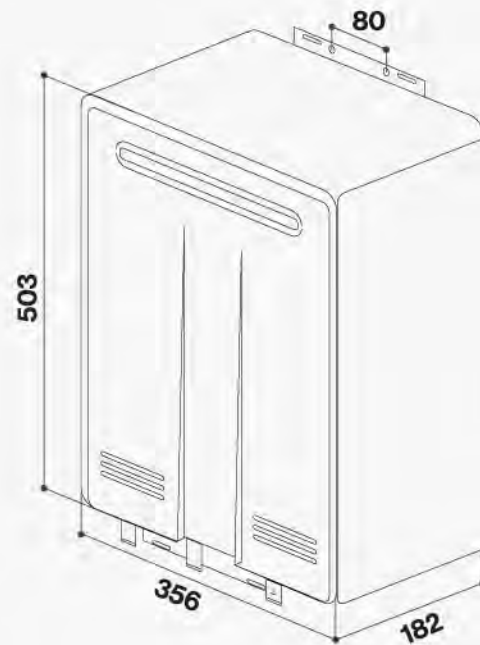


RDT-62-RM-W



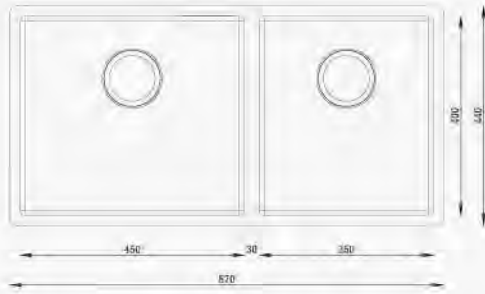
GAS WATER HEATER WATER HEATING SYSTEM SERIES

REU-A2626WD-GEN

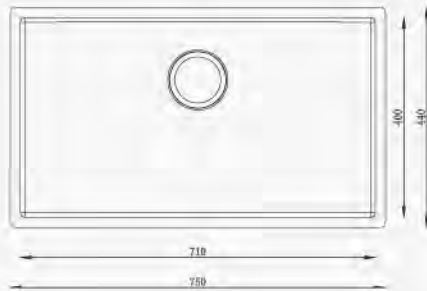


SINK SUPREMA KITCHEN SERIES

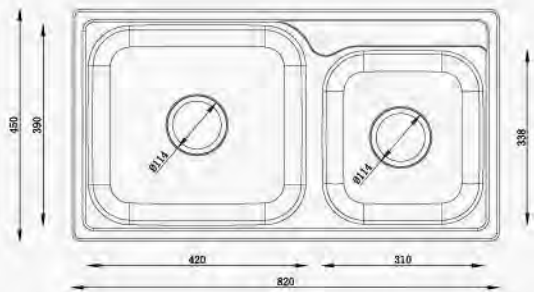
SSH-2B-04



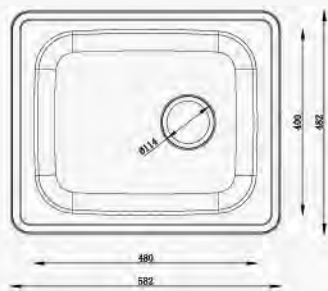
SSH-1B-02



SSP-2B-08

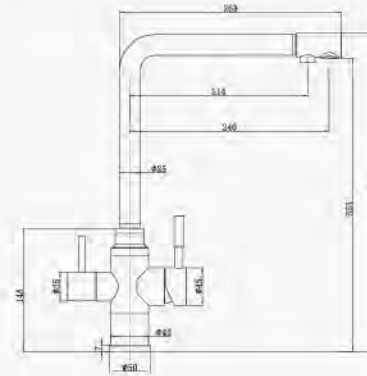


SSP-1B-07

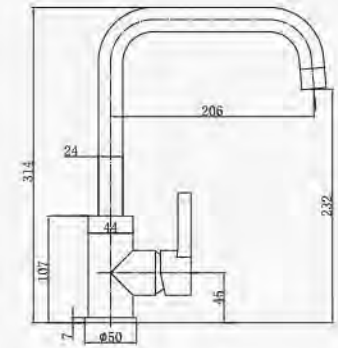


TAP SUPREMA KITCHEN SERIES

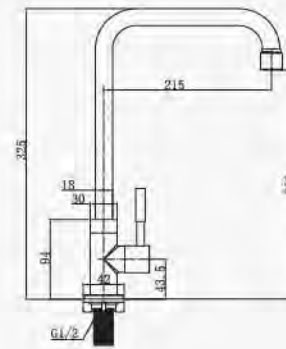
S3FB-01S



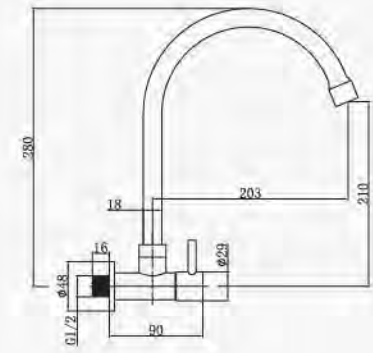
SMB-02B



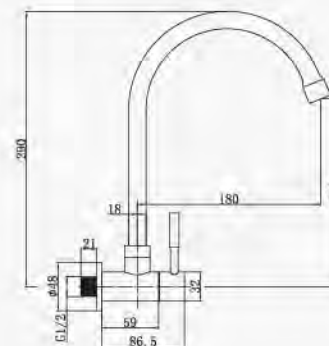
STB-03S



STW-04B



STW-05S






RINNAI WORLDWIDE

Rinnai UK Limited
Rinnai Services (MS) Co., Ltd.
Rinnai Italia S.r.l.
Rinnai Korea Corporation
Rinnai Corporation (Japan)
RBS Thermo Technology Co. Ltd.
Shanghai Rinnai Co., Ltd
Rinnai Taiwan Corporation
Rinnai Hong Kong Ltd.
Rinnai Thailand Co., Ltd.
Rinnai Vietnam Co., Ltd.
Rinnai (Malaysia) Co., Ltd.
Rinnai Holdings (Pacific) Pte. Ltd.
P.T. Rinnai Indonesia
Rinnai Australia Pty., Ltd.
Rinnai New Zealand Ltd.
Rinnai Canada Holdings Ltd.
Rinnai America Corporation
Rinnai Brazil Heating Technology Ltd.
Guangzhou Minghai Gas & Electrical Appliance Co., Ltd.

Rinnai (Malaysia) Sdn. Bhd. (015790-A)

D2-3, Block D2, Pusat Dagangan Dana 1, Jalan PJU 1A/46,
Ara Damansara 47301 Petaling Jaya, Selangor.
Fax: 03 7832 0036

Toll Free: 1800 88 8180

   [rinnaimalaysia](https://www.rinnaimalaysia.com)

enquiries@rinnai.com.my



Dealer:

