

# CANTER

FE85PE / FE85PG



## BETTER DRIVING EXPERIENCE



\*Whichever comes first

\*\*Powertrain up to 150,000km only



# History of FUSO

*CANTER*

F U S O

*CANTER*

The brand name FUSO was originally used in 1932. FUSO is the Japanese pronunciation of “fusang,” an old Chinese word referring to the “sun’s origin,” or, Japan.

FUSO have more than 80 years of experience as an international truck and bus manufacturer. Owing to its experience, collected over decades, the FUSO headquarters in Kawasaki in Japan is also Daimler's global development center for hybrid technology.

FUSO is well known for its trusted quality, economic efficiency, solid & functional design and committed services. It is the leading Japanese brand across many markets, known for its track record of technological innovations and high customer satisfaction based on the lowest total cost of ownership.

As one of the leading commercial vehicles manufacturer in the world, FUSO produces light, medium and heavy-duty trucks for a wide range of operating conditions, excelling in fuel efficiency and robustness while boasting outstanding payload and ride comfort.

### 1932-1955



**1932**

The first FUSO, a 100PS Mitsubishi B46 gasoline engine bus.



**1951**

W11 4-ton tow truck is produced.



**1955**

T33 8-ton, Japan's first genuine heavy-duty truck, is produced.

### 1963-1984



**1963**

T720 "Canter" light-duty cab-over truck is launched.



**1977**

"FS119S" heavy-duty low bed truck is launched.



**1984**

"Fighter", medium-duty truck is launched.

### 2007-2010



**2007**

Launch of FUSO Prime Mover FP517D in Malaysia.



**2009**

Launch of FUSO FN67M (6x4) in Malaysia.



**2010**

"Canter" light-duty truck undergoes full model change.

### 2012-2019



**2012**

Launch of FUSO FG 4x4 in Malaysia.



**2015**

Launch of FUSO FM/ FN series in Malaysia.



**2019**

Launch of FUSO FJ1828R in Malaysia.

## Innovations

### FUSO eCanter

As the world move towards “Go Green” & “Environmental Friendly”, FUSO produced the eCanter, the **world’s first series-production all-electric light-duty truck**, with the objectives to help our customers meet the increasing global demand for zero CO2 emission solutions.



### Zero-Emission, Zero-Noise

A truly all-electric, zero-emission, zero-noise light duty truck for inner-city distribution. In addition to being an environmentally friendly vehicle, it is also cost-efficient and economical for users with a range of 100 kilometers and load capacity up to three and half tonnes – depending on body and usage.

## Engine

### 3.9L 4D34 Engine

Extremely reliable and tough as it is built to accommodate for the long run. It provides reliable performance which comes hand in hand with power and fuel efficiency.

  
**EURO II**



## Transmission

### Synchromesh Transmissions with 5 Speed Manual

Integrated well with 4D34 engines to ensure optimum performance. With its smooth and quiet operation, driver will be able to enjoy better comfort and reduced fatigue during day to day operation.



# EXTERIOR (FRONT)



## 01. Wipers with Integrated Washer Nozzle

Uses minimal water as nozzles are integrated with wipers, spraying water only along wipers when activated, making cleaning windshield more effective and safer during driving.



## 02. Headlamp Levelling

Provide optimum headlamp and light projection distance depending on load and operation condition.



## 03. Daytime Running Light (DRL)

Bright DRL for better vehicle visibility and road awareness, translating to better safety for all road users.



## 04. Windshield Water Guide

The rubber mould surrounding the windshield guides water flow to the side, providing optimal forward view during rainy days.



## 05. 3-Piece Bumper

Tough look design & can be replaced independently if damaged which help to reduce repair cost.

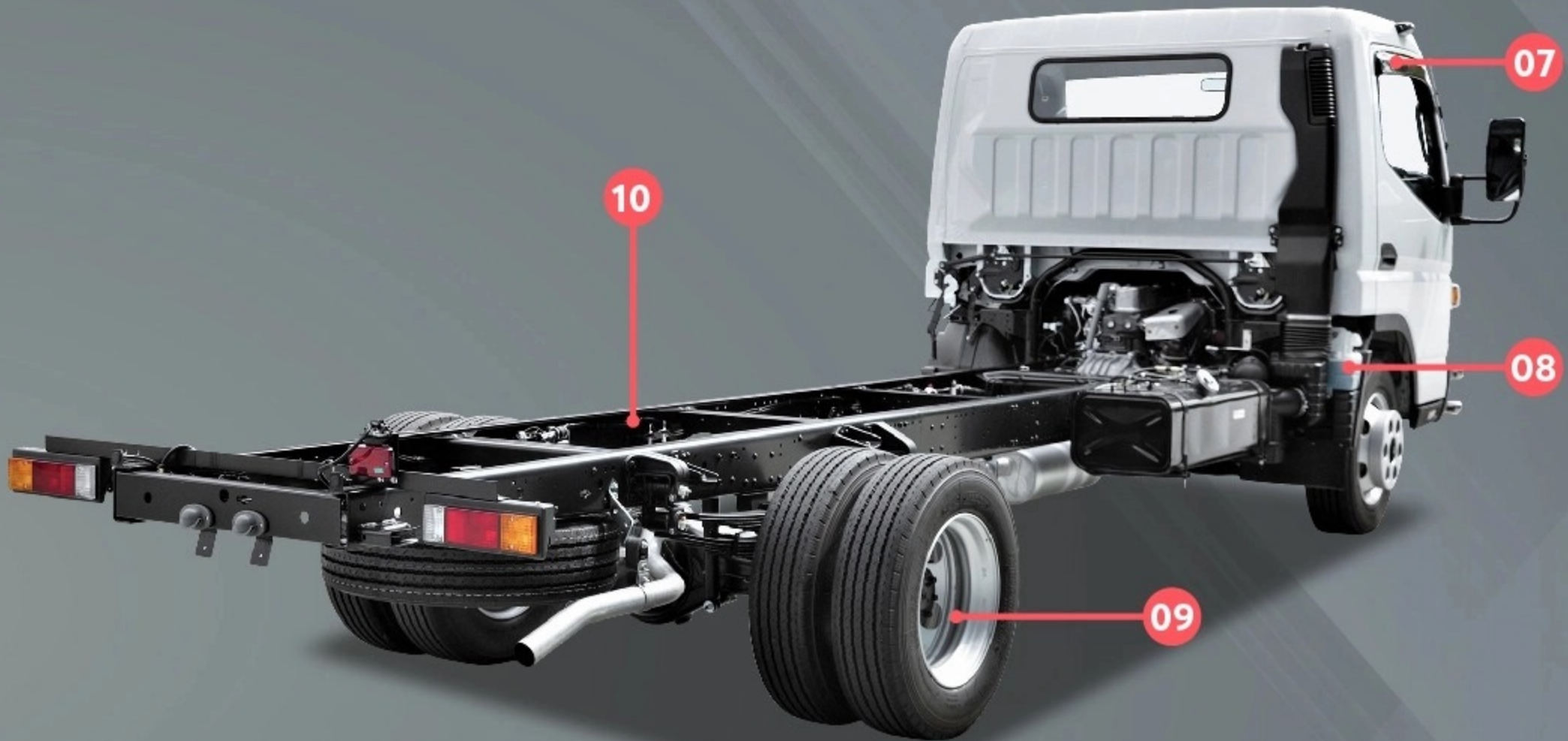


## 06. Alarm System with Backup Battery

Prevents battery theft and tampering of alarm system.



# EXTERIOR (REAR)



## 07. Door Visor

Driver is able to wind down the window even during rain for fresh air circulation.



## 09. Tubeless Tyres

Provides longer tread life and gentle deflation in case of puncture for better safety.



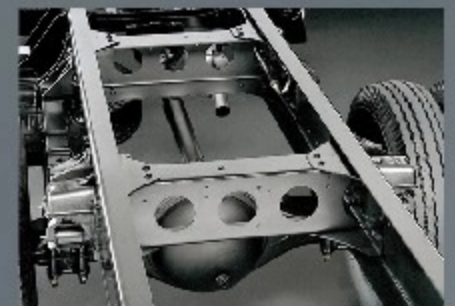
## 08. Coolant Tank

Strategically located behind the cabin externally, making it more convenient to do a quick check & refill.



## 10. FUSO Super Frame

The FUSO highly robust Super Frame structure is built to last and to carry heavy loads plus withstand rough road conditions.





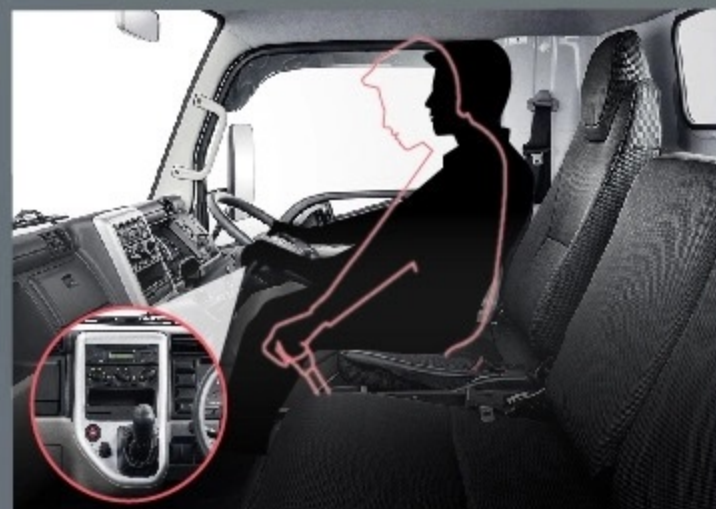
## 10. Ergonomic cabin design with 2-tone Interior Trim

Ergonomic arrangement of switches, levers and spacious open storage compartment which come with 2-tone interior trim that making it practical and modern looking.



## 11. In-dash Gear Shift Lever

Located off the floor and out of the way. Easy operation and provide driver with comfortable driving position. This setup gives ample leg room and easy shifting from driver-seat to assistant-seat.







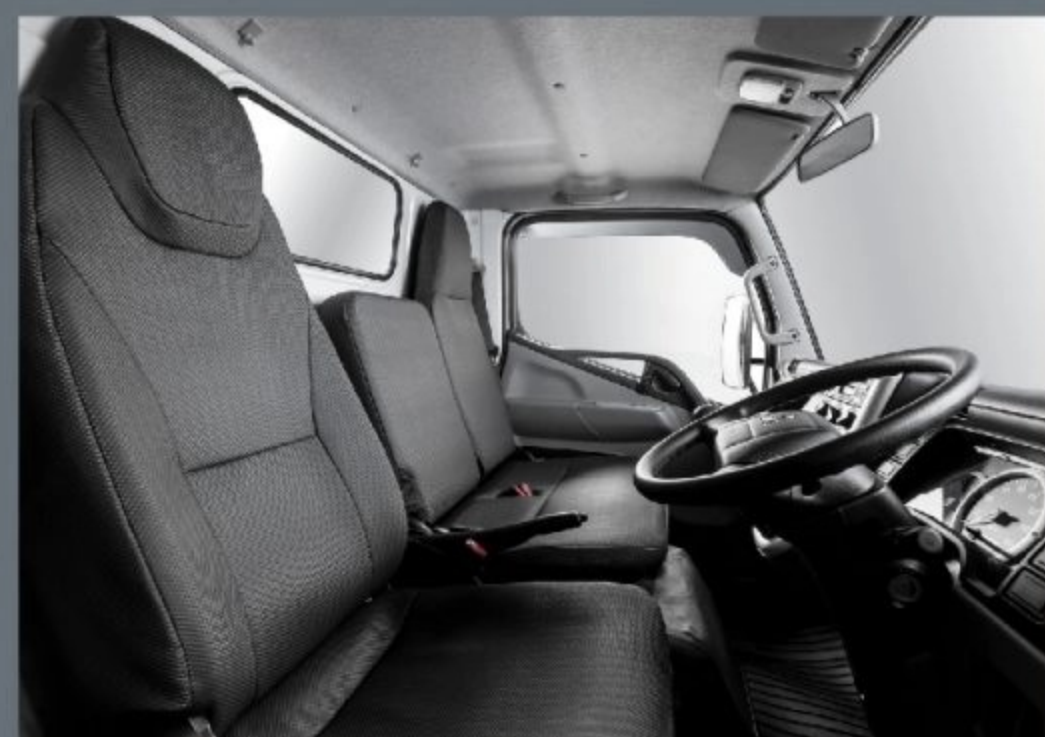
## 12. Easy-to-read Instrument Cluster

Stylish and easy-to-read instrument cluster reduce driver fatigue in day-to-day operation.



## 13. Comfortable Driving Position

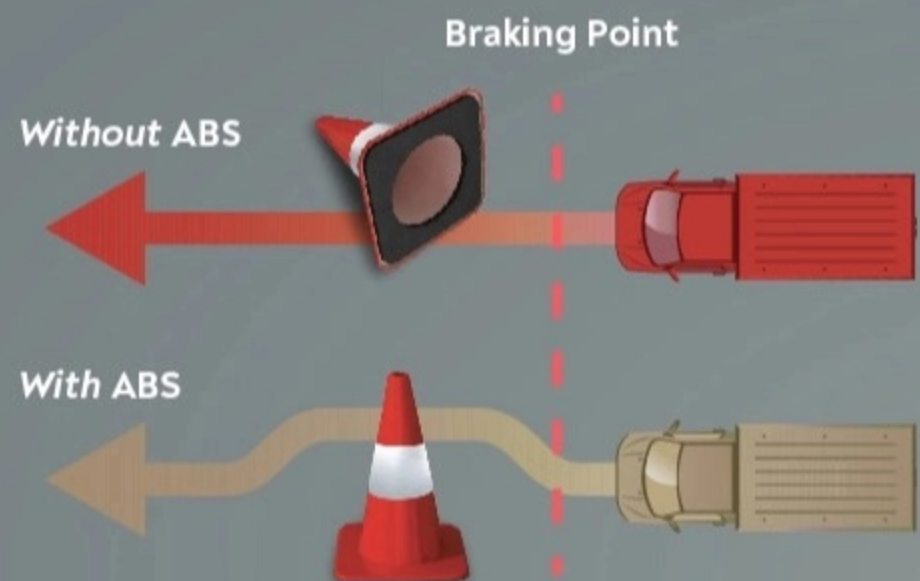
Improves drivability as driver may adjust the comfortable seat based on their preferred driving position.



## Safety Feature

### Anti-lock Braking System (ABS)

The advanced ABS (anti-lock braking system) and automatic brake adjuster provide optimal control of your truck during emergency braking situations and enable proper steering around obstacles.

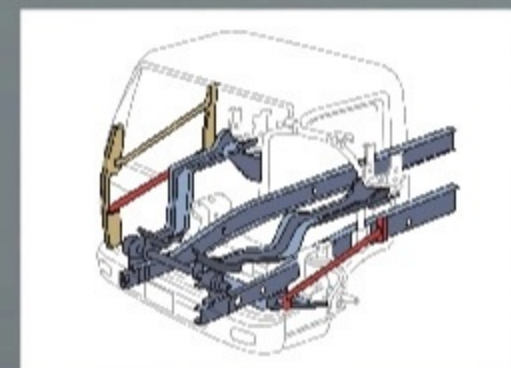


### Reverse Sensors

Alerts driver if there is any objects or people within rear proximity when reversing, protecting the vehicle, property and road users.

### Reinforced Impact Safety Evolution (RISE)

FUSO RISE Body with door impact beam, front box structure and reinforced cab floor main sill, creating a strong and safe cabin to protect driver in case of collision.

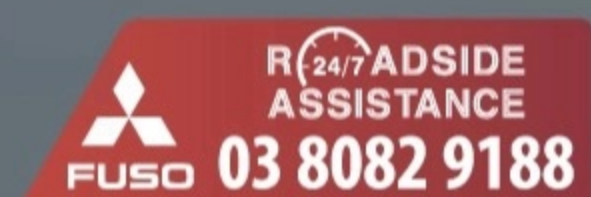


### Impact Absorption Steering Wheel

Design to protect the driver. The steering wheel will deform when there is a frontal crash to reduce trauma on driver's chest & abdominal part.

### FUSO Roadside Assistance

Our call centre is open 24 hours, 7 days a week for any emergency or support required to keep your business and truck running. Your needs are our priority!



# SERVICE PACKAGE & WARRANTY



**CANTER**  
PLATINUM SERIES

**5**  
YEARS

## NEW Canter Platinum Series

This series offers 5 years service maintenance and warranty coverage. It provides business certainty by minimizing repair cost against economic inflation. Your vehicle performance is guaranteed by our team of experts using FUSO genuine parts. Lastly, seamless approval on the payment process ensures that your vehicle is delivered promptly in the entire service process.

Service package is inclusive of labour, maintenance of parts & replacements, as per recommended in service booklet.

## WARRANTY & SERVICE COVERAGE\*

Both Gold & Silver Series packages comes with 5 years warranty coverage with unique individual service packages.

**CANTER**  
GOLD SERIES

**CANTER**  
SILVER SERIES



*FUSO Genuine Parts  
gives you optimal performance  
and safety at all times*



*Team of experts  
at your service*

- \* Terms & conditions apply
- \* 5 years warranty coverage/up to 200,000km (Powertrain up to 150,000km only)
- \* 5 years service up to 200,000km

# MULTI APPLICATIONS



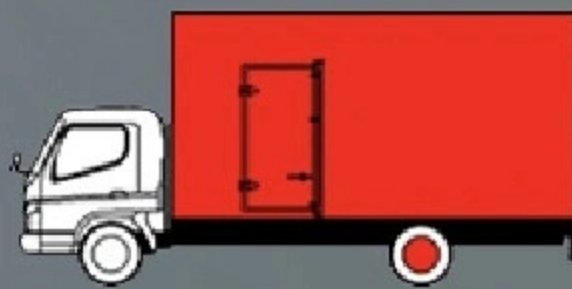
MODEL	BODY LENGTH				
	STANDARD	OPTION 1	OPTION 2	OPTION 3	OPTION 4
<b>FE85PE</b>	13.8ft / 4.2m	17.7ft / 5.4m	18.8ft / 5.7m	20.0ft / 6.1m	-
<b>FE85PG</b>	16.7ft / 5.1m	14.4ft / 4.4m	18.6ft / 5.7m	19.9ft / 6.1m	21.4ft / 6.5m

We provide various customisable body applications for your logistic needs. Find out more by contacting us to discuss your ideal needs.

## Other Applications



General Cargo



Box Van



Curtain Sider



Refridgerated



Tipper / Dumper



Tow Truck



RORO (Roll-on Roll-off)



Tanker



Compactor

# SPECIFICATIONS

## TECHNICAL SPECIFICATION

**CANTER**

MODEL R.H.D		FE85PE6SRDG3	FE85PG6SRDG3	
<b>WEIGHT</b>	Max G.V.W.	kg	7,500	
	Front axle	kg	1,610	
	Rear axle	kg	780	
	Kerb weight approx.	kg	2,375	
<b>DIMENSIONS</b>	Wheelbase (W.B.)	mm	3,350	
	Overall length (O.A.L.)	mm	6,015	
	Overall width (O.A.W.)	mm	2,035	
	Overall height (O.A.H.)	mm	2,195	
	Tread	Front (T.F.)	mm	1,665
		Rear (T.R.)	mm	1,560
	Cab to rear axle (C.A.)	mm	2,825	
	Frame width (F.W.)	mm	753	
	Front overhang (F.O.H.)	mm	1,145	
	Rear overhang (R.O.H.)	mm	1,480	
	<b>ENGINE</b>	Model	-	Mitsubishi 4D 34-2AT4 turbocharged with intercooler
Type		-	4-stroke, water-cooled, direct injection diesel engine	
No. of cylinders		-	4 in line	
Piston displacement		cc	3,908	
Max. output		kW(PS)@rpm	100(136)@2,900	
Max. torque		Nm@rpm	370@1,600	
Air cleaner		-	Dry paper element type	
Alternator		-	24V - 50A	
<b>DRIVELINE</b>		Clutch	Type	Hydraulic control, single dry plate
	mm		300	
	Transmission	-	M035S5 5 forward and 1 reverse speed, manual, overdrive 2nd to 5th range; Synchromesh gears 1st & Rev. range; Constantmesh gears	
	Gear ratios	-	5.38-3.028-1.700-1.00-0.722-Reverse 5.380	
	Final reduction gear	-	Single reduction, hypoid gear	
	Ratio	-	6.166	
	<b>CABIN</b>	Seating capacity	-	3
Cabin tilt		-	Mechanical	
Power windows		-	Equipped	
Central lock & alarm system		-	Equipped	
Reverse sensors & buzzer		-	Equipped	
<b>CHASSIS</b>	Axle type	Front	Reverse elliot, "I" beam type	
		Rear	Full floating type	
	Tyres	Studs	6	
		Tyre Size	215/75R17.5	
	Steering	-	Ball nut type with integral type hydraulic power booster Telescopic and tilt steering column with steering lock	
	Suspension	Front	Laminated leaf springs with shock absorbers	
		Rear	Main and auxiliary laminated leaf springs with shock absorbers	
	Brake	Service	Hydraulic with vacuum servo assistance, dual circuit with antilock brake system (ABS) & auto brake shoes adjuster	
		Parking	Internal expanding type on propeller shaft	
		Auxiliary	Exhaust brake	
Fuel tank	-	100 liters		
Electrical system	-	12 Volt x 2, 65Ah at 20 hr. rate		

# A CANTER FOR EVERY NEED

## Light-Duty Series



**FE71PB**



110PS  
5MT



4.8T



4x2



2500mm\*

Engine 3,908cc  
Max Torque 275Nm@1,600rpm



**FE85PE**



136PS  
5MT



7.5T



4x2



3350mm\*

Engine 3,908cc  
Max Torque 370Nm@1,600rpm



**FE85PG**



136PS  
5MT



7.5T



4x2



3850mm\*

Engine 3,908cc  
Max Torque 370Nm@1,600rpm



**FG83PE**



110PS  
5MT



5.0T



4x4



3460mm\*

Engine 3,908cc  
Max Torque 275Nm@1,600rpm

\*Multiple wheelbases available

# TRUCKS TO FULFILL YOUR EVERY NEED

## Medium-Duty Series



**FM65FJ**



240PS  
5MT



18.0T



4x2



4620mm\*

Engine 7,545cc  
Max Torque 686Nm@1,400rpm



**FM65FN**



270PS  
6MT



18.0T



4x2



5850mm\*

Engine 7,545cc  
Max Torque 785Nm@1,400rpm



**FJ1828R**



280PS  
9MT



19.0T



4x2



5100mm\*  
6000mm

Engine 6,373cc  
Max Torque 1,100Nm@1,200rpm-  
1,600rpm

## Heavy-Duty Series



**FN62FM**



270PS  
9MT



25.0T



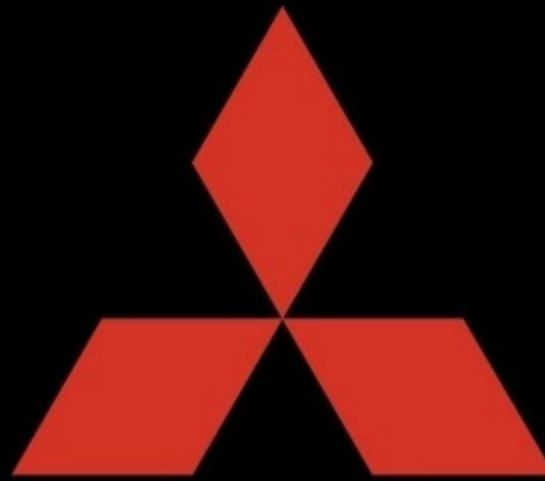
6x4



4140mm +  
1320mm

Engine 7,545cc  
Max Torque 785Nm@1,400rpm

\*Multiple wheelbases available



# FUSO

## **MITSUBISHI FUSO Authorised Distributor:**

**Hap Seng Trucks Distribution Sdn Bhd** 201701036472 (1250643-T)

No. 1, Jalan Kinrara 2, Taman Perindustrian Bandar Kinrara, 47180 Puchong, Selangor, Malaysia.

 03-8082 9120  03-8082 9121  [www.fuso.my](http://www.fuso.my)   Fuso Malaysia