



# PARTS CATALOGUE



RSH



DPBMC

## GPD155 (BBM5) MALAYSIA

---

GPD155  
PARTS CATALOGUE  
©2023 by Yamaha Motor Co., Ltd.  
1st edition, January 2023  
All rights reserved.  
Any reprinting or unauthorized use  
without the written permission of  
Yamaha Motor Co., Ltd.  
is expressly prohibited.  
Printed in Japan.

# FOREWORD

This Parts Catalogue is related to the parts for the model(s) on the cover page. When you are ordering replacement parts, please refer to this Parts Catalogue and quote both part numbers and part names correctly.

1. Modifications or additions which have been made after the issue of the Parts Catalogue will be announced in the Parts News.  
It is advisable that you make the necessary corrections to the Parts Catalogue according to the Parts News.

2. Abbreviations

The following abbreviations are used in this Parts Catalogue.

“UR” Use specified parts number.

“UN” Use as many as needed.

“AP” Alternate Parts

“LM” Locally Made (Parts need to be ordered locally)

“F#” Frame No. (Applicable machine No.)

“O/S” Over Size

3. The number of components for assembly

- Parts, which are to be supplied in an assembly, are listed with a dot (.) in front of the part name as shown below.
- The numeral appearing to the right of each component part indicates the quantity of parts for each assembly unit.

PART NO.	DESCRIPTION	Q'TY	REMARKS
2F5-83310-60	FRONT FLASHER LIGHT ASSY	2	
115-83311-60	.BULB (6V-18W)	1	

4. Applicable colours of graphics are represented in the “REMARKS” as shown below.

PART NO.	DESCRIPTION	Q'TY	REMARKS
2N4-24110-00-X5	FUEL TANK COMP.	2	MXR
3J1-24240-10	.GRAPHIC, FUEL TANK	1	FOR MXR

5. Note that the illustrations for reference in finding parts numbers are not to be used for assembling. When assembling, please use the applicable service manual.

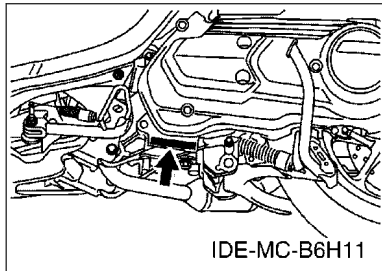
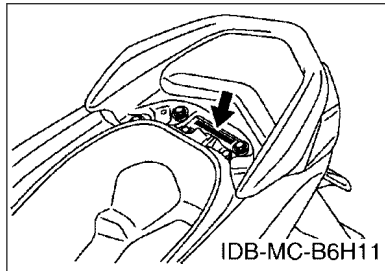
6. The asterisk (\*) before a reference number indicates modified items after the first edition.

# FOREWORD

7. Applicable Serial No.

Frame Serial No.

Engine Serial No.



8. Applicable Colour Code (The (\*) mark shows Model colour.)

Abbreviation	Colour Name	Colour Code
DBMC(*)	DULL BLUE METALLIC C	1600
MBL2	MAT BLACK 2	0582
MNM3	MAT GRAY METALLIC 3	1278
RSH(*)	RED SOLID H	1725
SM12	BLACK METALLIC 12	1723
YB	YAMAHA BLACK	0033

9. Applicable Starting Serial No.

Frame Serial No.

Serial No.	Name Of Q'ty Column	Model Code

Engine Serial No.

Serial No.	Name Of Q'ty Column	Model Code

# CONTENTS

## ENGINE

CYLINDER.....	1
CRANKSHAFT & PISTON.....	3
VALVE.....	4
CAMSHAFT & CHAIN.....	5
WATER PUMP.....	6
RADIATOR & HOSE.....	7
OIL PUMP.....	9
INTAKE.....	10
EXHAUST.....	12
CRANKCASE.....	13
CRANKCASE COVER 1.....	15
CLUTCH.....	16
TRANSMISSION.....	18

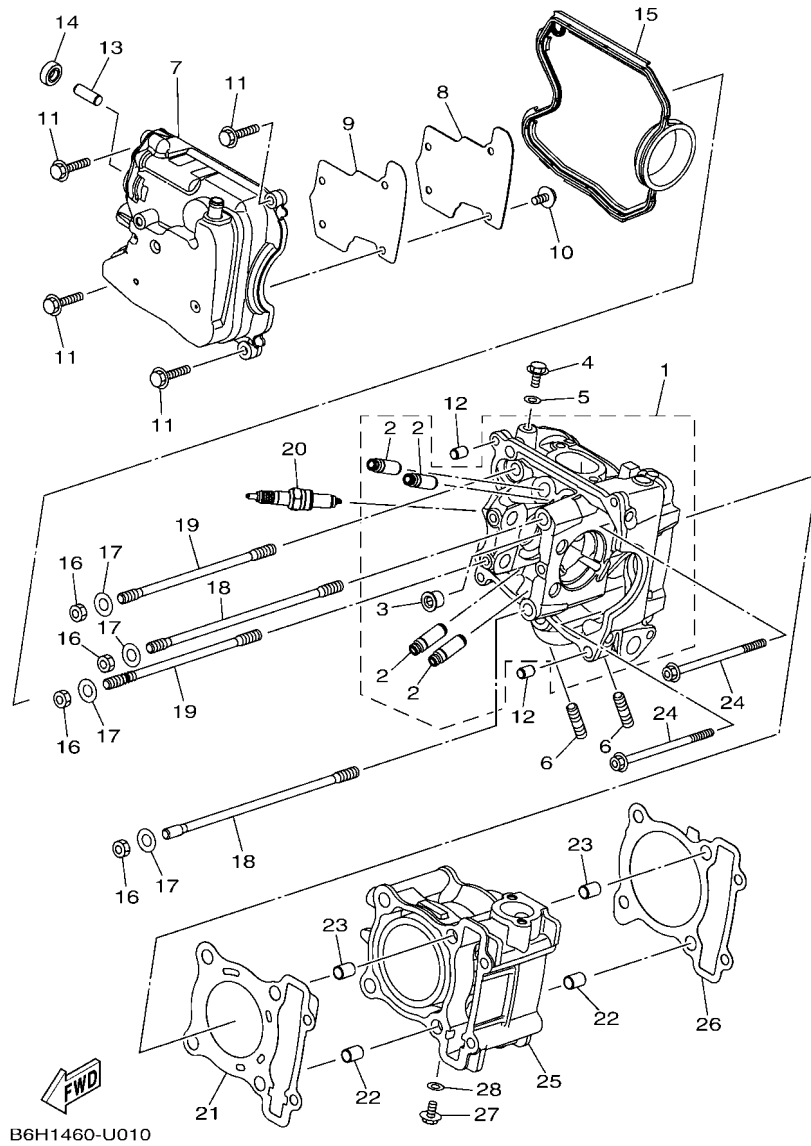
## CHASSIS

FRAME.....	19
FENDER.....	20
SIDE COVER.....	21
REAR ARM & SUSPENSION.....	23
STEERING.....	24
FUEL TANK.....	26
SEAT.....	27
FRONT WHEEL.....	29
FRONT BRAKE CALIPER.....	30
REAR WHEEL.....	31
REAR BRAKE CALIPER.....	32
STEERING HANDLE & CABLE.....	33
FRONT MASTER CYLINDER.....	34
STAND & FOOTREST.....	36
LEG SHIELD.....	39
WINDSHIELD.....	42
GENERATOR.....	43
FLASHER LIGHT.....	44
METER.....	45
HEADLIGHT.....	46
TAILLIGHT.....	47
HANDLE SWITCH & LEVER.....	48
ELECTRICAL 1.....	49
ELECTRICAL 2.....	50

ELECTRICAL 3.....	51
-------------------	----

## INDEX

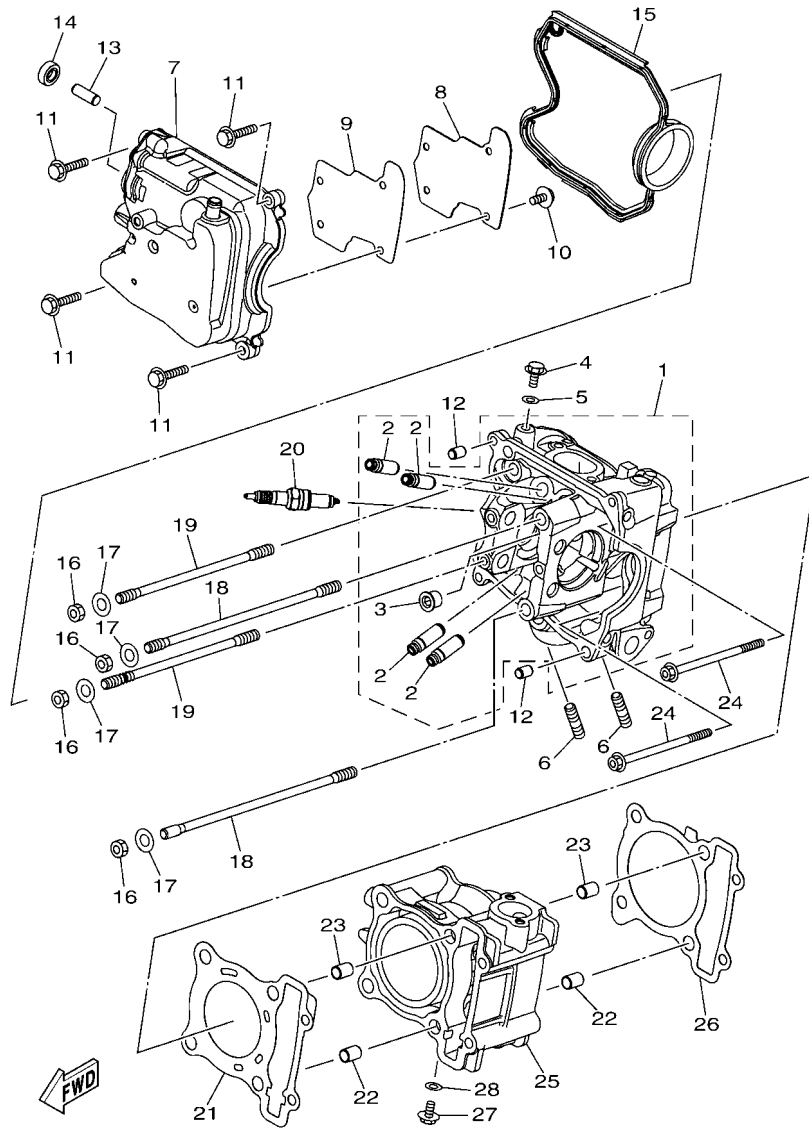
NUMERICAL INDEX.....	52
----------------------	----



B6H1460-U010

FIG. 1 CYLINDER

REF. NO.	PART NO.	DESCRIPTION	BBMS					REMARKS
1	B6H-E1102-00	CYLINDER HEAD ASSY	1					
2	2DP-E1133-10	.GUIDE, VALVE 1	4					
3	90340-12813	.PLUG, STRAIGHT SCREW	1					
4	95E32-06010	BOLT, FLANGE DEEP RECESS	1					
5	90430-06803	GASKET	1					
6	95612-08618	BOLT, STUD	2					
7	2DP-E1191-00	COVER, CYLINDER HEAD 1	1					
8	2DP-E1165-00	PLATE, BREATHER	1					
9	2DP-E1169-00	GASKET, BREATHER COVER	1					
10	90149-05801	SCREW	4					
11	95E32-06030	BOLT, FLANGE DEEP RECESS	4					
12	99530-08012	PIN, DOWEL	2					
13	2DP-E132G-00	ROD 1	1					
14	93102-08800	OIL SEAL	1					
15	B3F-E1193-00	GASKET, HEAD COVER 1	1					
16	95332-08600	NUT	4					
17	90201-08859	WASHER, PLATE	4					
18	2DP-E1391-00	BOLT, STUD 1	2					
19	2DP-E1392-00	BOLT, STUD 2	2					
20	94700-00415	PLUG, SPARK (NGK CPR8EA)	1					
21	2DP-E1181-00	GASKET, CYLINDER HEAD 1	1					
22	99530-10114	PIN, DOWEL	2					
23	99530-10114	PIN, DOWEL	2					
24	90110-06378	BOLT, HEXAGON SOCKET HEAD	2					
25	B6H-E1311-00	CYLINDER 1	1					
26	B6H-E1351-00	GASKET, CYLINDER	1					
27	95E32-06010	BOLT, FLANGE DEEP RECESS	1					

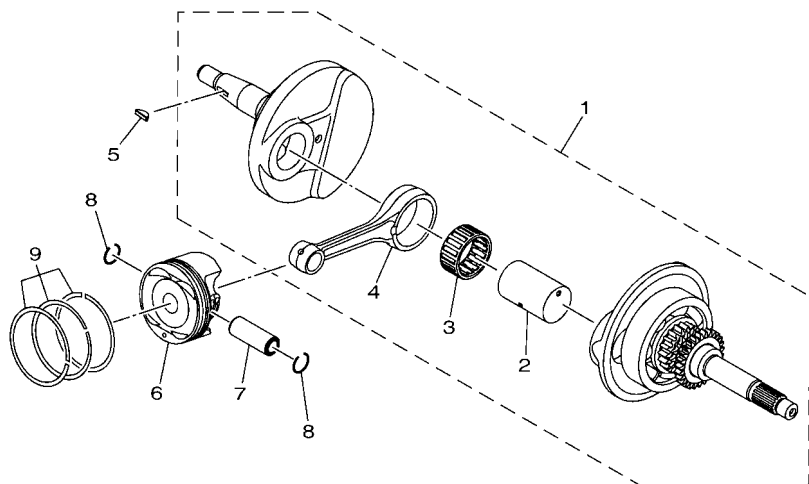


B6H1460-U010

FIG. 1 CYLINDER

REF. NO.	PART NO.	DESCRIPTION	BBMS				REMARKS
28	90430-06803	GASKET	1				

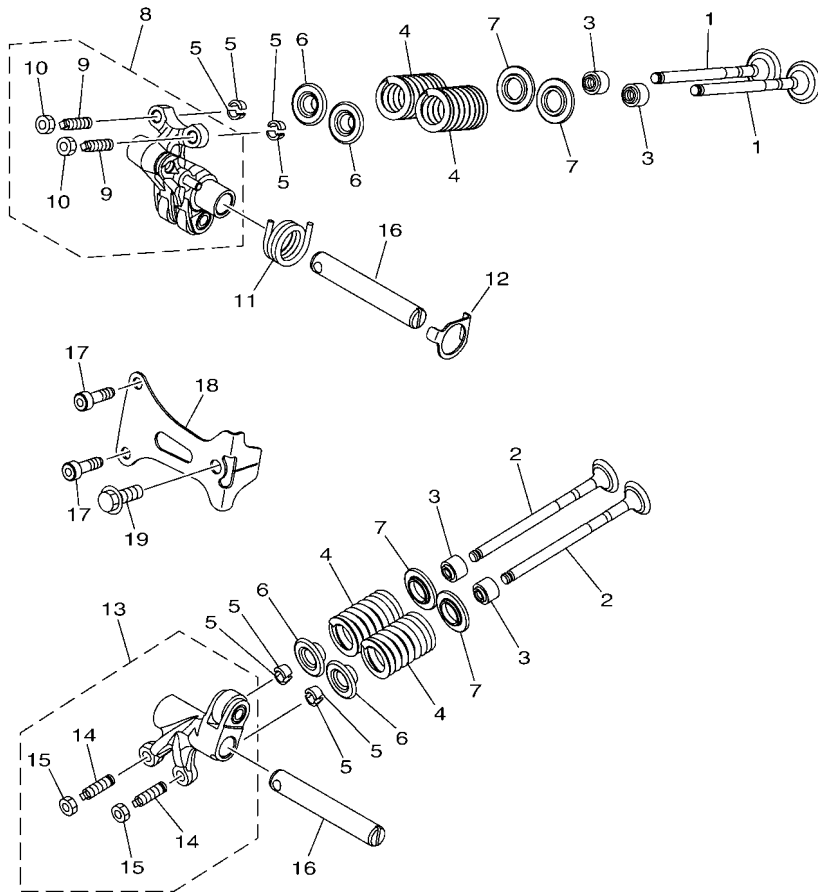
**FIG. 2 CRANKSHAFT & PISTON**



REF. NO.	PART NO.	DESCRIPTION	BBM5				REMARKS
1	B6H-E1400-40	CRANKSHAFT ASSY	1				
2	B63-E1681-00	.PIN, CRANK 1	1				
3	93310-528YK	.BEARING	1				
4	2DP-E1651-00	.ROD, CONNECTING	1				
5	90280-03017	KEY, WOODRUFF	1				
6	BK6-E1631-00	PISTON (STD)	1				
7	2DP-E1633-00	PIN, PISTON	1				
8	93450-16115	CIRCLIP	2				
9	B63-E1603-00	PISTON RING SET (STD)	1				

  
 B6H1460-U020



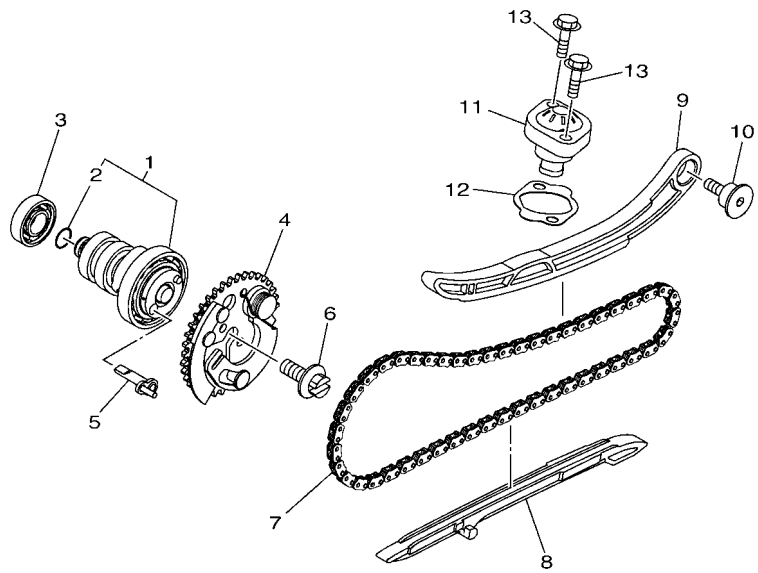


**FWD**  
2DP6460-S030

**FIG. 3 VALVE**

REF. NO.	PART NO.	DESCRIPTION	BBM5	REMARKS
1	BK6-E2111-00	VALVE, INTAKE	2	
2	B3F-E2121-00	VALVE, EXHAUST	2	
3	54P-E2119-00	SEAL, VALVE STEM	4	
4	BB8-E2113-01	SPRING, VALVE INNER	4	
5	5TL-E2118-00	LOCK, VALVE SPRING RETAINER	8	
6	2DP-E2117-00	RETAINER, VALVE SPRING	4	UR EITHER CAN USE
	BBP-E2117-00	RETAINER, VALVE SPRING	4	UR EITHER CAN USE
7	50C-E2126-00	SEAT, VALVE SPRING 2	4	
8	2DP-E2150-01	VALVE ROCKER ARM ASSY	1	
9	33S-E2159-01	.SCREW, VALVE ADJUSTING	2	
10	90170-05803	.NUT	2	
11	BB8-E2226-00	SPRING, COIL	1	
12	2DP-E2279-00	PLATE	1	UR EITHER CAN USE
	B63-E2279-00	PLATE	1	UR EITHER CAN USE
13	B6H-E2160-01	VALVE ROCKER ARM ASSY 2	1	
14	33S-E2159-01	.SCREW, VALVE ADJUSTING	2	
15	90170-05803	.NUT	2	
16	B65-E2156-00	SHAFT, ROCKER 2	2	
17	91312-05016	BOLT, HEXAGON SOCKET HEAD	2	
18	2DP-E111F-00	PLATE	1	UR EITHER CAN USE
	B63-E111F-00	PLATE	1	UR EITHER CAN USE
19	95E32-06014	BOLT, FLANGE DEEP RECESS	1	

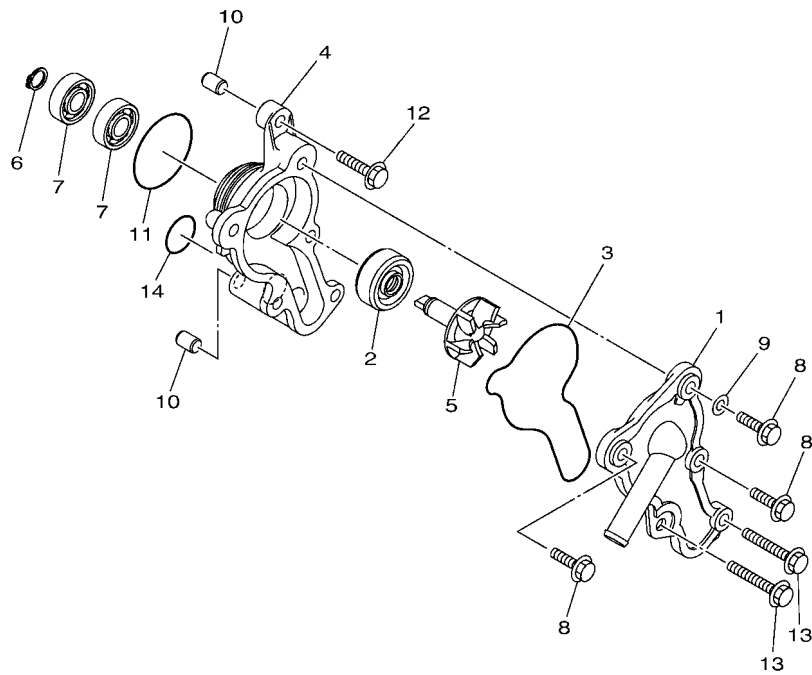
**FIG. 4 CAMSHAFT & CHAIN**



REF. NO.	PART NO.	DESCRIPTION	BBM5				REMARKS
1	B6H-E2170-00	CAMSHAFT ASSY 1	1				
2	93210-09806	.O-RING	1				
3	93306-001YG	BEARING	1				
4	B6H-E2280-10	DECOMPRESSION ASSY	1				
5	B6H-E2288-01	CAM, DECOMPRESSION	1				UR EITHER CAN USE
	2DP-E2288-01	CAM, DECOMPRESSION	1				UR EITHER CAN USE
6	5YP-E2157-01	BOLT	1				UR EITHER CAN USE
	B63-E2157-00	BOLT	1				UR EITHER CAN USE
7	94568-F9096	CHAIN (DID SCR-0404 SV)	1				
8	B65-E2231-00	GUIDE, STOPPER 1	1				
9	B6H-E2241-00	GUIDE, STOPPER 2	1				
10	1DB-E2228-00	BOLT	1				
11	2PV-E2210-01	TENSIONER ASSY, CAM CHAIN	1				
12	B6H-E2213-00	GASKET, TENSIONER CASE	1				
13	95E32-06020	BOLT, FLANGE DEEP RECESS	2				

  
BBD5300-X040

**FIG. 5 WATER PUMP**

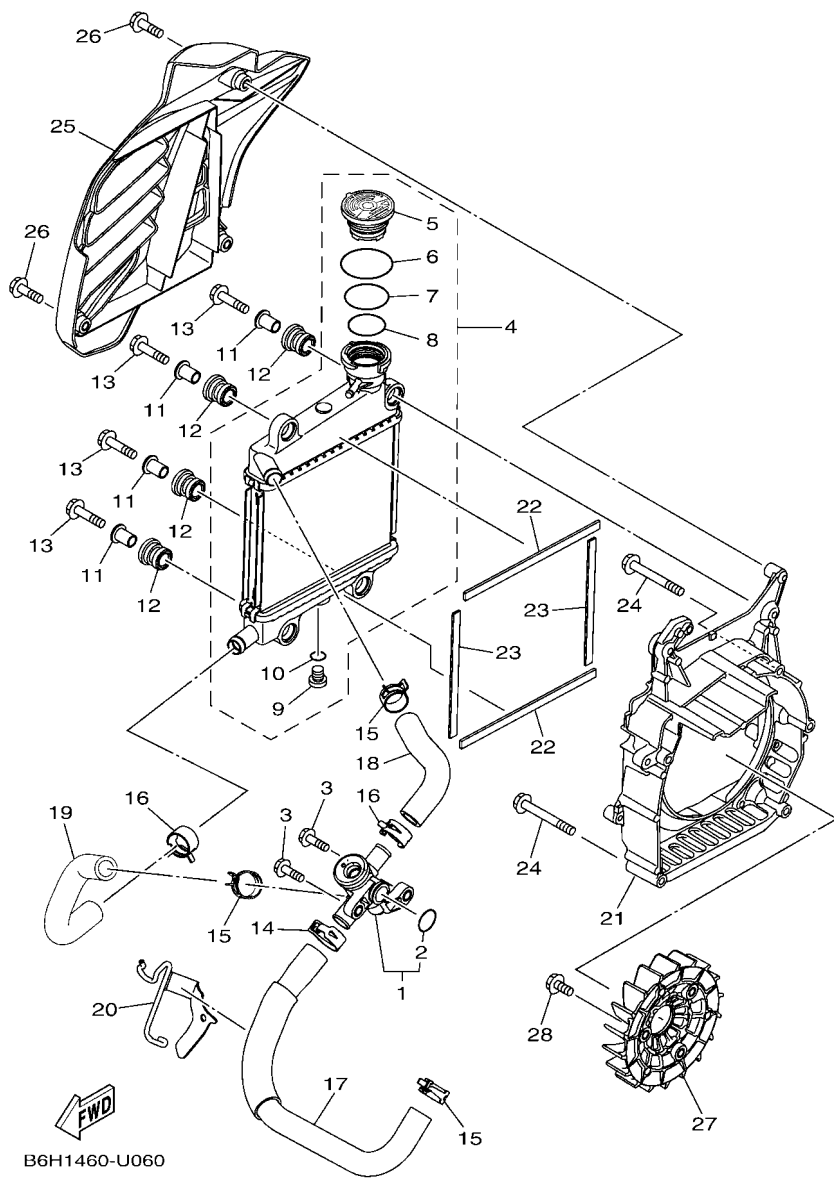


REF. NO.	PART NO.	DESCRIPTION	BBM5				REMARKS
1	B6H-E2422-00	COVER, HOUSING	1				UR EITHER CAN USE
	BBN-E2422-00	COVER, HOUSING	1				UR EITHER CAN USE
2	B6H-E2223-00	SEAL	1				
3	B6H-E2439-00	O-RING	1				
4	B6H-E1185-00	COVER, CYLINDER HEAD SIDE 3	1				
5	B6H-E2450-00	IMPELLER SHAFT ASSY	1				
6	99009-08400	CIRCLIP	1				
7	93300-608X0	BEARING	2				
8	95027-06020	BOLT, FLANGE	3				
9	90430-06803	GASKET	1				
10	99530-08012	PIN, DOWEL	2				
11	93210-39803	O-RING	1				
12	95E32-06025	BOLT, FLANGE DEEP RECESS	1				
13	95E32-06045	BOLT, FLANGE DEEP RECESS	2				
14	93210-19809	O-RING	1				



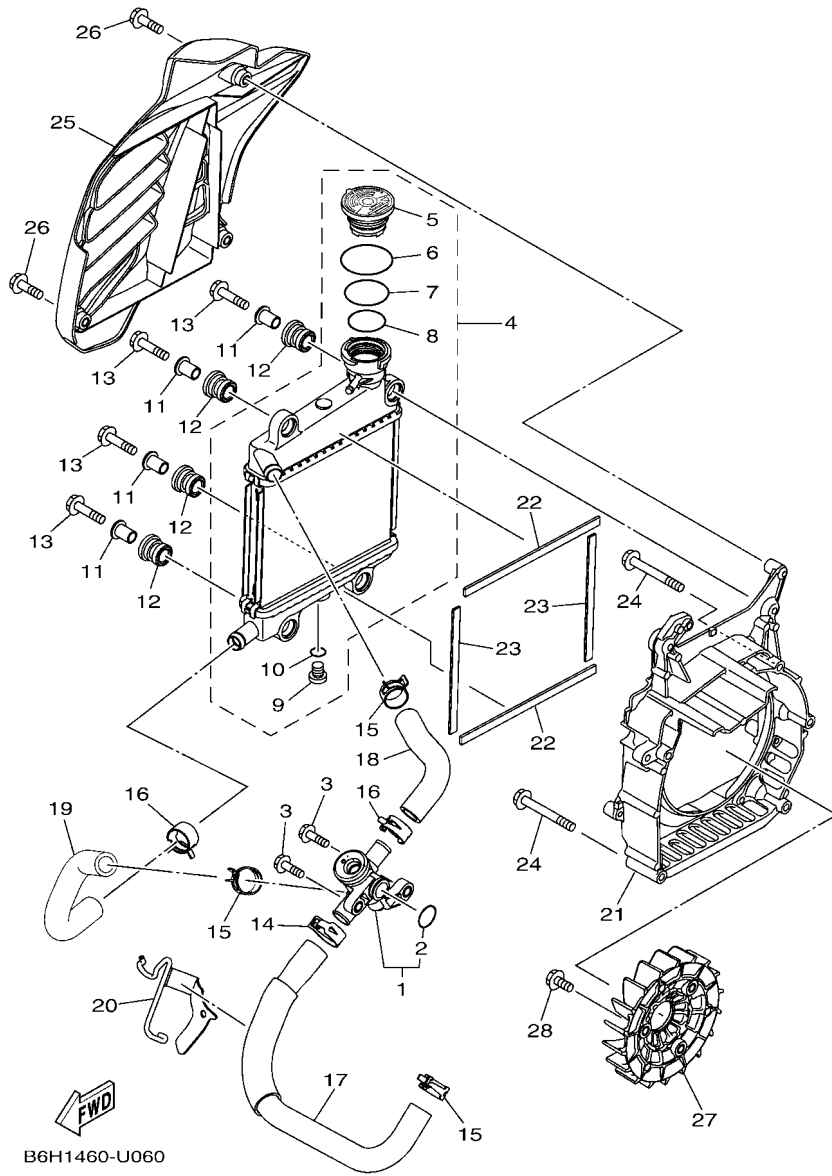
B6H1460-U050

**FIG. 6 RADIATOR & HOSE**



REF. NO.	PART NO.	DESCRIPTION	BBMS				REMARKS
1	2DP-E2410-00	THERMOSTAT ASSY	1				
2	52S-12439-00	.O-RING	1				
3	95E32-06020	BOLT, FLANGE DEEP RECESS	2				
4	B6H-E240A-01	RADIATOR ASSY	1				
5	B65-E2462-02	.CAP, RADIATOR	1				
6	B63-E22A2-00	.O-RING	1				
7	B63-E2439-00	.O-RING	1				
8	B63-E2843-00	.O-RING	1				
9	5ST-E2615-00	.COCK, DRAIN	1				
10	5ST-E2843-00	.O-RING	1				
11	90387-08823	COLLAR	4				
12	90480-14833	GROMMET	4				
13	95D32-06030	BOLT, FLANGE DEEP RECESS	4				
14	90467-20806	CLIP	1				
15	90467-19803	CLIP	3				
16	90467-19803	CLIP	2				
17	B6H-E2481-10	PIPE 1	1				
18	B6H-E2482-00	PIPE 2	1				
19	B6H-E2483-00	PIPE 3	1				
20	B6H-E2491-00	CLAMP 1	1				
21	B6H-E2621-01	CASE, FAN	1				
22	90520-10853	DAMPER, PLATE	2				
23	90520-10855	DAMPER, PLATE	2				
24	95E32-06050	BOLT, FLANGE DEEP RECESS	5				
25	B6H-E2467-00	COVER, RADIATOR	1				
26	95E32-06020	BOLT, FLANGE DEEP RECESS	3				
27	B65-E2611-00	FAN	1				

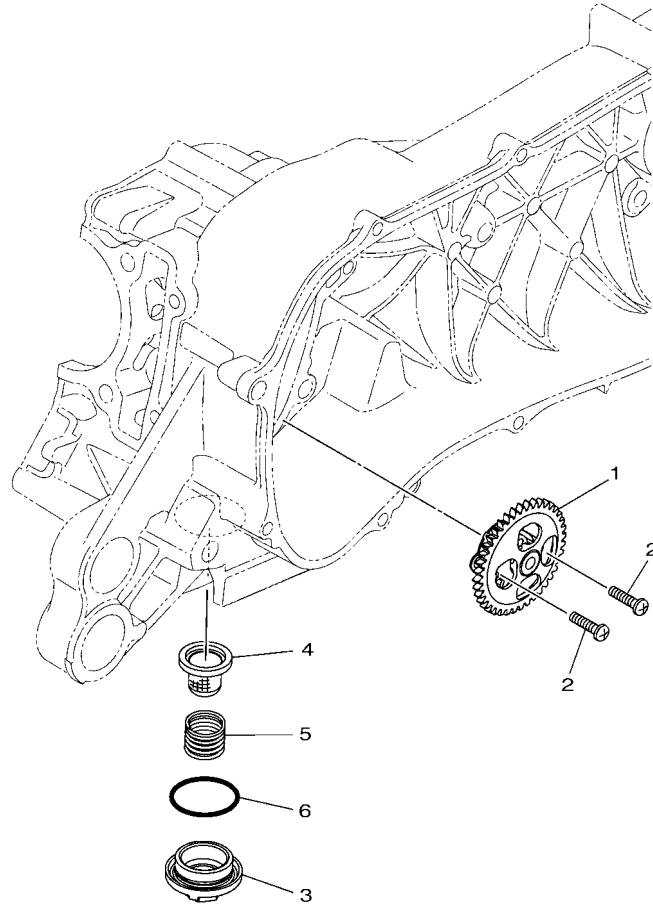
**FIG. 6 RADIATOR & HOSE**



B6H1460-U060

REF. NO.	PART NO.	DESCRIPTION	BBM5				REMARKS
28	95D32-06016	BOLT, FLANGE DEEP RECESS	3				

**FIG. 7 OIL PUMP**



REF. NO.	PART NO.	DESCRIPTION	BBM5					REMARKS
1	B6H-E3300-01	OIL PUMP ASSY	1					
2	98502-05020	SCREW, PAN HEAD	2					
3	54P-E5351-01	PLUG,DRAIN 1	1					
4	54P-E3411-00	STRAINER, OIL	1					
5	90501-16004	SPRING, COMPRESSION	1					
6	93210-29800	O-RING	1					

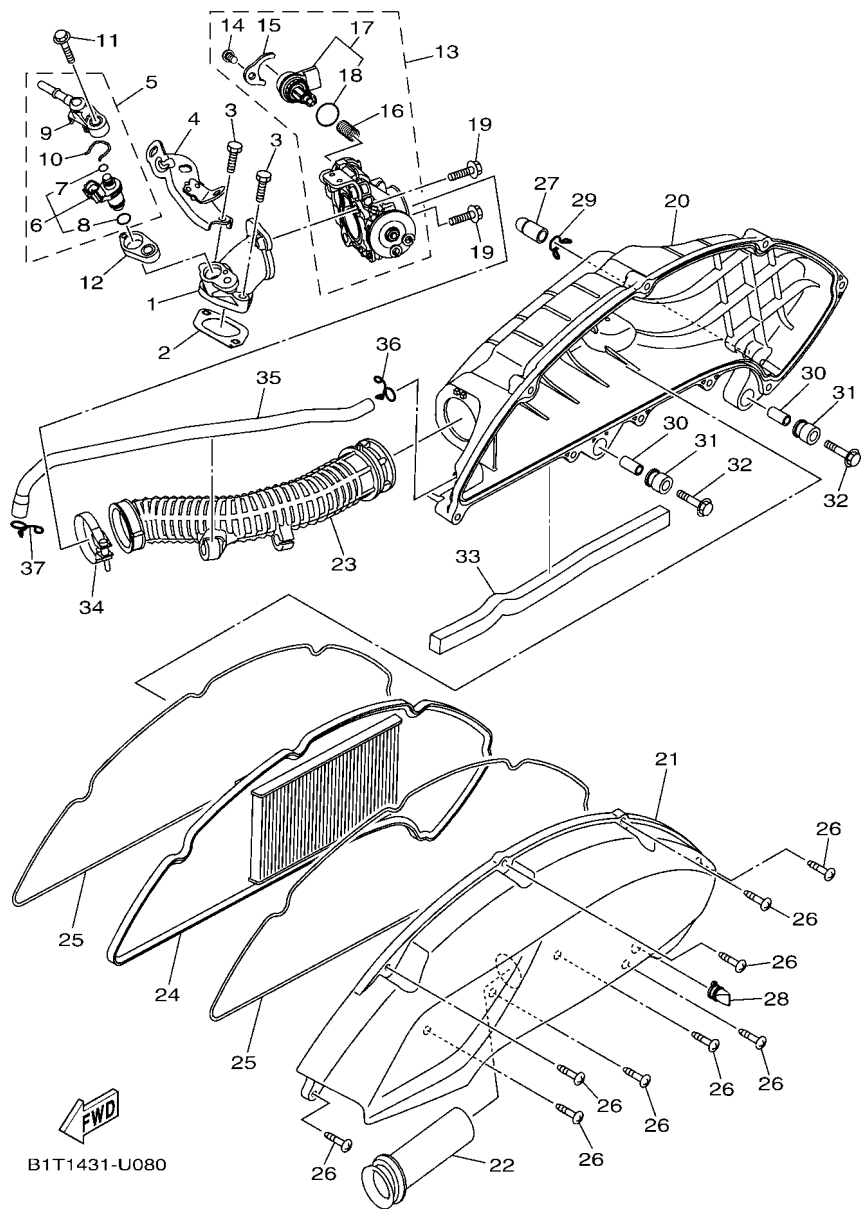
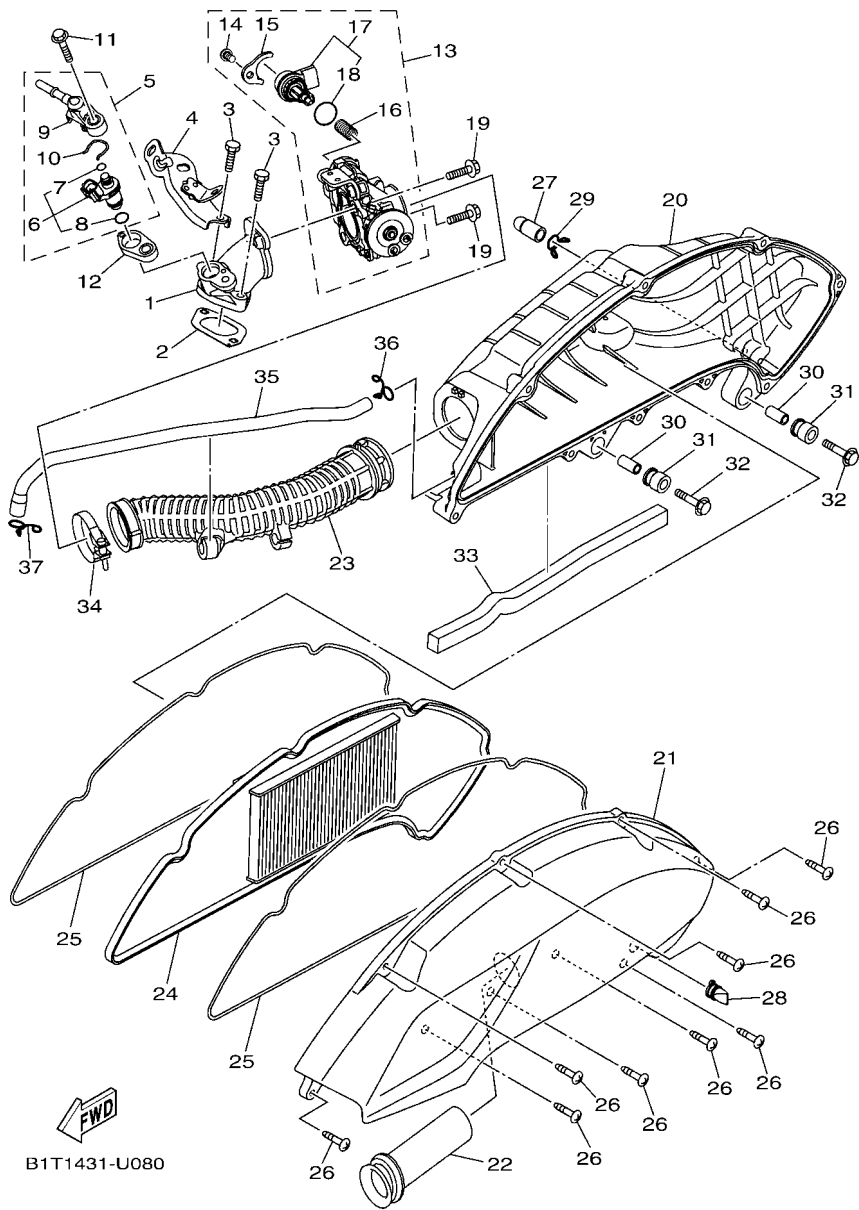


FIG. 8 INTAKE

REF. NO.	PART NO.	DESCRIPTION	BBMS				REMARKS
1	B6H-E3585-00	MANIFOLD	1				
2	B6H-E4199-00	GASKET	1				
3	91332-06025	BOLT	2				
4	B6H-E4146-00	PLATE	1				
5	BB8-E3770-10	INJECTOR ASSY	1				
6	BB8-E3761-10	.INJECTOR	1				
7	54P-E4147-00	.O-RING	1				
8	5CA-E4147-00	.O-RING	1				
9	54P-E3938-00	.PIPE	1				
10	54P-E4137-00	.CLIP	1				
11	95D32-06030	BOLT, FLANGE DEEP RECESS	1				
12	2DP-E3556-00	GASKET, MANIFOLD	1				
13	B65-E3750-11	THROTTLE BODY ASSY	1				
14	98502-06012	.SCREW, PAN HEAD	1				
15	54P-E4243-00	.PLATE	1				
16	54P-E4335-00	.SPRING, PLUNGER	1				
17	B63-H5801-01	.STEPPING MOTOR	1				
18	54P-E416A-00	.O-RING	1				
19	90110-06846	BOLT, HEXAGON SOCKET HEAD	2				
20	B6H-E4411-10	CASE, AIR CLEANER 1	1				
21	B6H-E4412-10	CAP, CLEANER CASE 1	1				
22	B6H-E4437-00	DUCT	1				
23	B6H-E4453-00	JOINT, AIR CLEANER 1	1				
24	B6H-E4451-00	ELEMENT, AIR CLEANER	1				
25	B6H-E4452-10	SEAL	2				
26	97707-50025	SCREW, TAPPING	9				
27	5TL-E443E-00	PIPE, DRAIN	1				



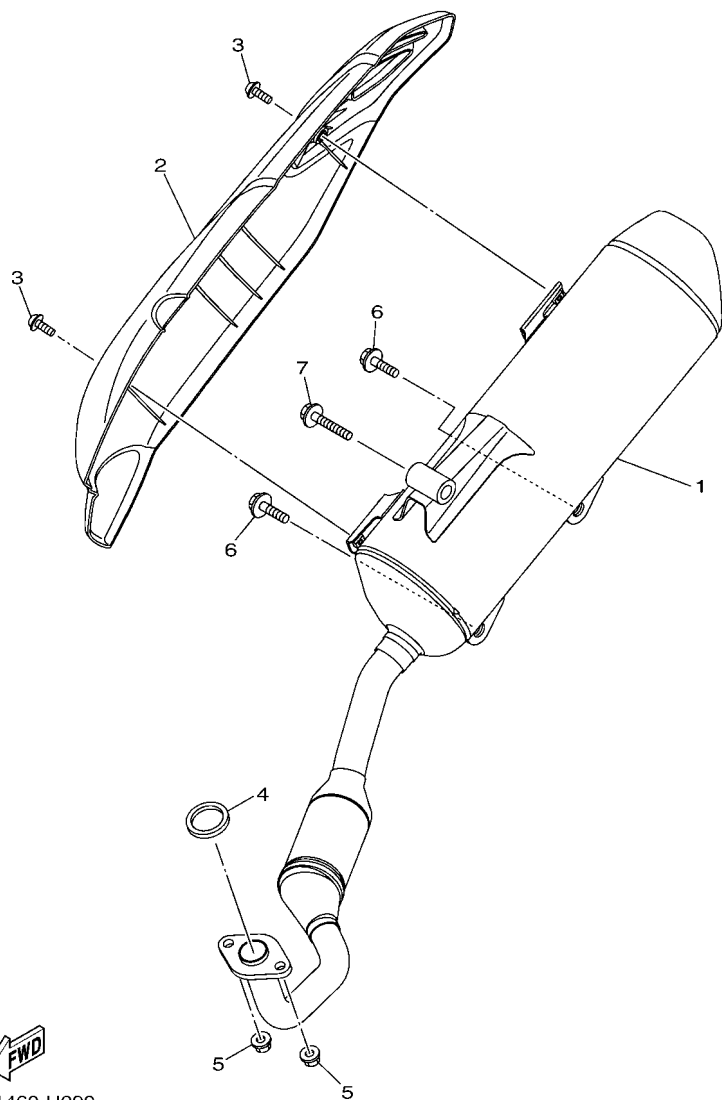
B1T1431-U080

**FIG. 8 INTAKE**

REF. NO.	PART NO.	DESCRIPTION	BBM5				REMARKS
28	B5D-E443G-00	PIPE, DRAIN 2	1				
29	90467-12809	CLIP	1				
30	B74-E4449-00	COLLAR	2				
31	B6H-E4435-00	GROMMET	2				
32	95D32-06030	BOLT, FLANGE DEEP RECESS	2				
33	90520-15816	DAMPER, PLATE	1				
34	90450-43805	HOSE CLAMP ASSY	1				
35	B6H-E1166-00	PIPE, BREATHER 1	1				
36	90467-11825	CLIP	1				
37	90467-12052	CLIP	1				

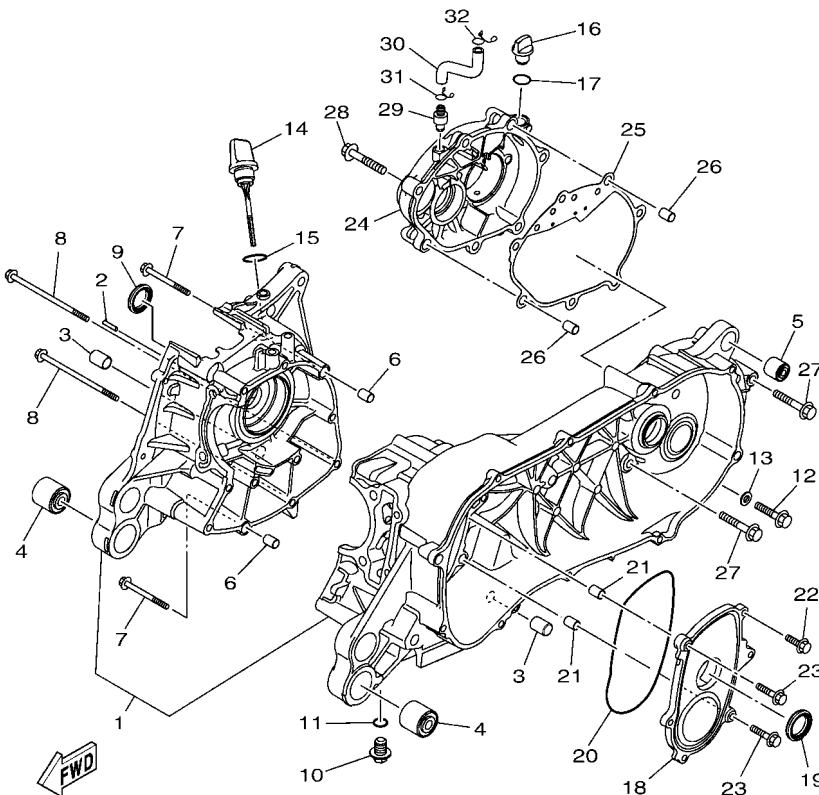
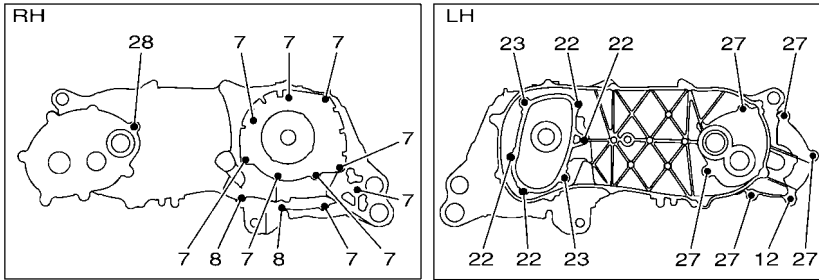


**FIG. 9 EXHAUST**



B6H1460-U090

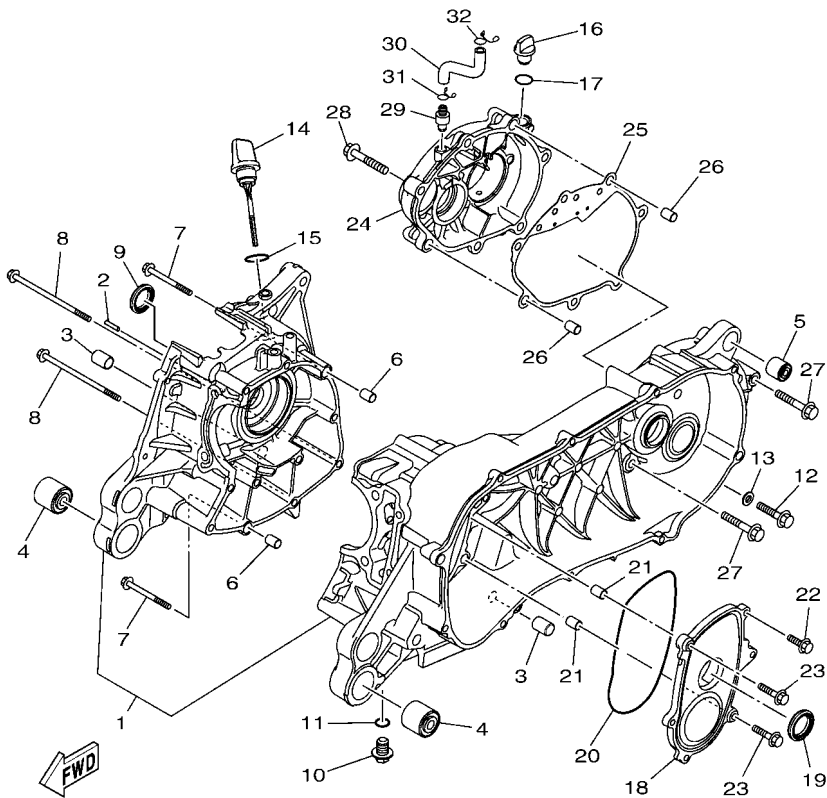
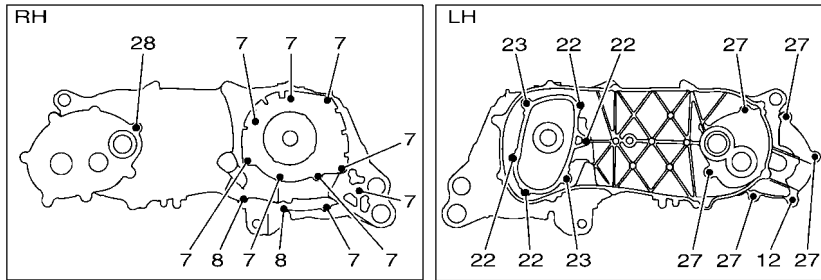
REF. NO.	PART NO.	DESCRIPTION	BBM5				REMARKS
1	B1T-E4711-10	MUFFLER 1	1				
2	B6H-E4718-00	PROTECTOR, MUFFLER 1	1				
3	90111-06860	BOLT, HEXAGON SOCKET BUTTON	2				
4	BK7-E4613-00	GASKET, EXHAUST PIPE	1				UR EITHER CAN USE
	2DP-E4613-00	GASKET, EXHAUST PIPE	1				UR EITHER CAN USE
5	95702-08500	NUT, FLANGE	2				
6	95D32-10045	BOLT, FLANGE DEEP RECESS	2				
7	95D32-10060	BOLT, FLANGE DEEP RECESS	1				



B6H1460-U100

FIG. 10 CRANKCASE

REF. NO.	PART NO.	DESCRIPTION	BBMS	REMARKS
1	B6H-E5150-00	CRANKCASE ASSY	1	
2	99480-03012	PIN	1	
3	54P-F7121-00	BUSH	2	
4	90388-10808	DAMPER	2	
5	90388-08803	DAMPER	1	
6	99530-10114	PIN, DOWEL	2	
7	95E32-06060	BOLT, FLANGE DEEP RECESS	9	
8	95E32-06110	BOLT, FLANGE DEEP RECESS	2	
9	93102-22829	OIL SEAL	1	
10	90340-12816	BOLT, STRAIGHT SCREW	1	
11	90430-12803	GASKET	1	
12	95D32-08035	BOLT, FLANGE DEEP RECESS	1	
13	90430-08804	GASKET	1	
14	2DP-E5362-00	PLUG, OIL LEVEL	1	
15	5LW-E3769-00	O-RING	1	
16	5LW-E5363-00	PLUG, OIL	1	
17	93210-14816	O-RING	1	
18	B65-E5423-01	COVER 2	1	
19	93102-24802	OIL SEAL	1	
20	93211-28800	O-RING	1	
21	99530-10114	PIN, DOWEL	2	
22	95E32-06020	BOLT, FLANGE DEEP RECESS	4	
23	95E32-06030	BOLT, FLANGE DEEP RECESS	2	
24	B6H-E5421-00	COVER, CRANKCASE 2	1	
25	B6H-E5461-10	GASKET, CRANKCASE COVER 2	1	
26	99530-10114	PIN, DOWEL	2	
27	95E32-08045	BOLT, FLANGE DEEP RECESS	5	

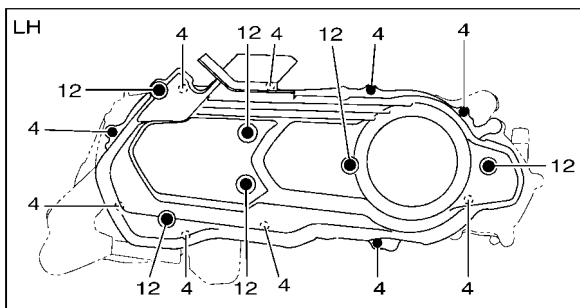
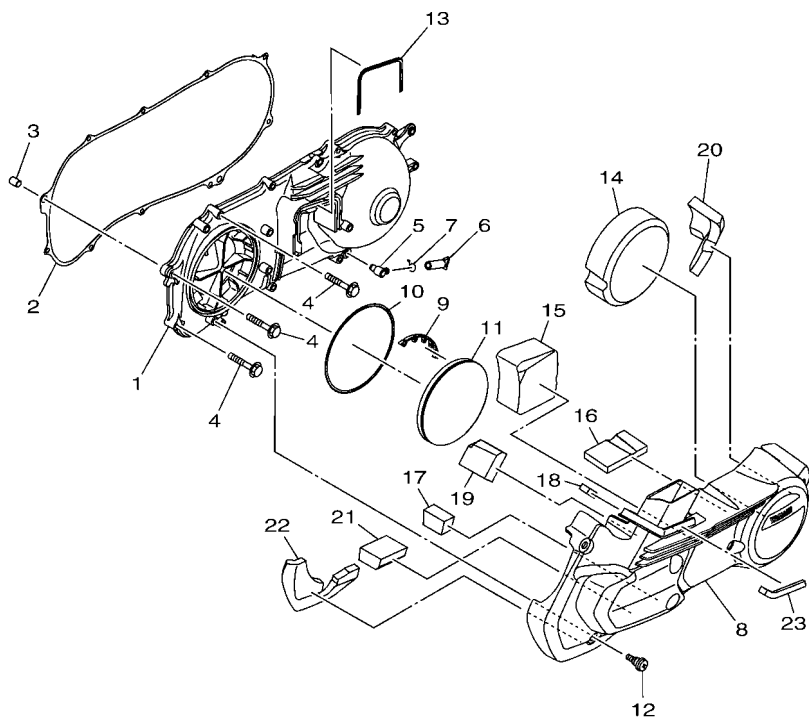


B6H1460-U100

**FIG. 10 CRANKCASE**

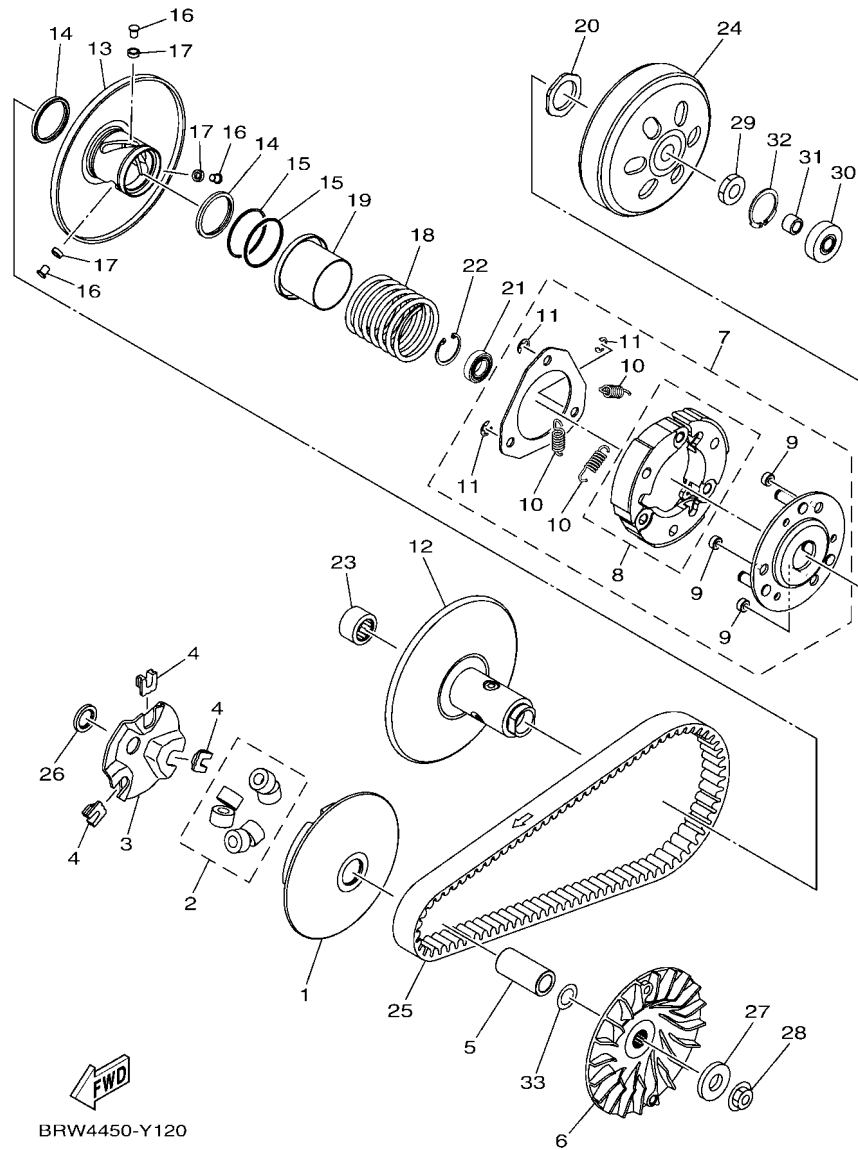
REF. NO.	PART NO.	DESCRIPTION	BBMS					REMARKS
28	95E32-08035	BOLT, FLANGE DEEP RECESS	1					
29	B6H-E5371-00	BREATHER	1					
30	B6H-E5373-00	PIPE, BREATHER	1					
31	90467-10008	CLIP	1					
32	90467-11825	CLIP	1					
-----								
-----								
-----								
-----								
-----								
-----								
-----								
-----								
-----								
-----								
-----								

**FIG. 11 CRANKCASE COVER 1**



B6H1460-U110

REF. NO.	PART NO.	DESCRIPTION	BBMS				REMARKS
1	B6H-E5411-01	COVER, CRANKCASE 1	1				
2	B6H-E5451-00	GASKET, CRANKCASE COVER 1	1				
3	99530-10114	PIN, DOWEL	1				
4	95E32-06035	BOLT, FLANGE DEEP RECESS	10				
5	5LW-E5371-01	BREATHER	1				
6	4ST-E443E-00	PIPE, DRAIN	1				
7	90467-11106	CLIP	1				
8	B6H-E5431-00	COVER, CRANKCASE 3	1				
9	2DP-E5495-00	RUBBER SEAL	1				
10	B65-E5472-00	SEAL, AIR DUCT	1				
11	2DP-E5407-00	ELEMENT 1	1				
12	B63-E5481-00	BOLT 1	6				
13	2DP-E5474-00	SEAL, AIR DUCT	1				
14	B6H-E5316-00	DAMPER 1	1				
15	B6H-E5326-00	DAMPER 2	1				
16	90520-10856	DAMPER, PLATE	1				
17	90520-40801	DAMPER, PLATE	1				
18	90520-10851	DAMPER, PLATE	1				
19	90520-50801	DAMPER, PLATE	1				
20	B6H-E533C-00	DAMPER 7	1				
21	90520-40800	DAMPER, PLATE	1				
22	B6H-E533E-00	DAMPER 9	1				
23	90520-10855	DAMPER, PLATE	1				

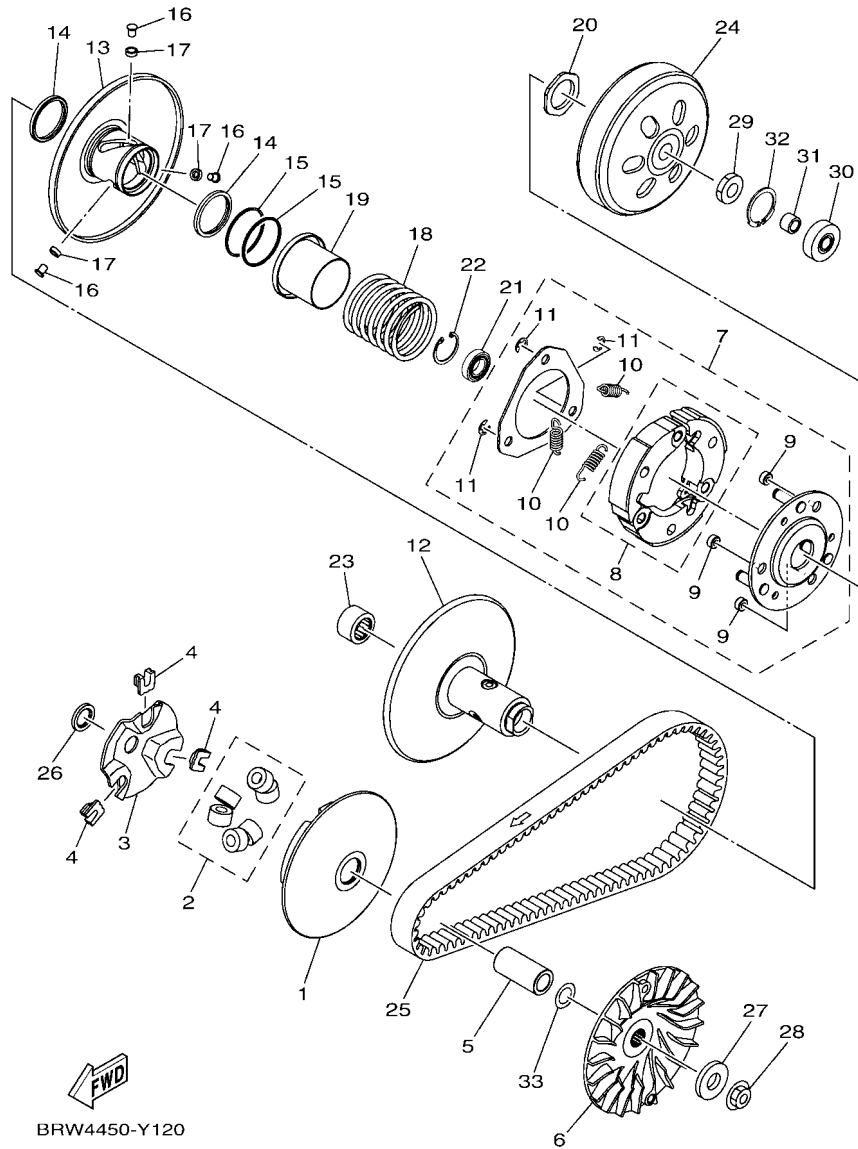


BRW4450-Y120

FIG. 12 CLUTCH

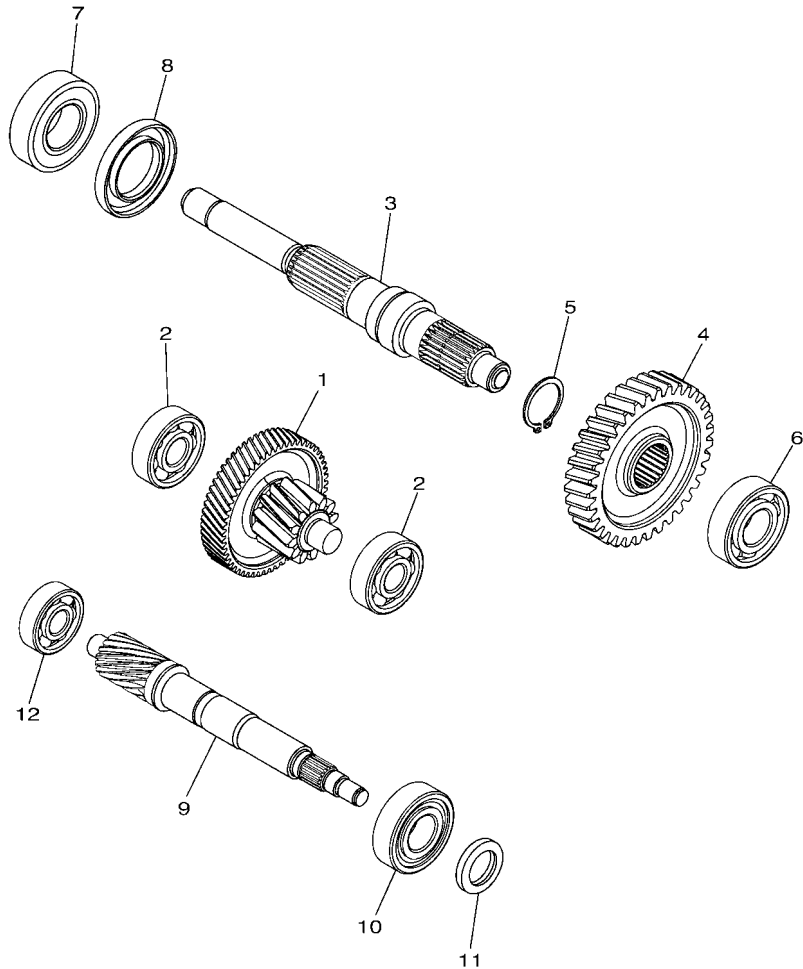
REF. NO.	PART NO.	DESCRIPTION	BBMS				REMARKS
1	BBP-E7620-00	PRIMARY SLIDING SHEAVE COMP.	1				
2	BBP-WE763-00	WEIGHT SET	1				
3	2DP-E7623-00	CAM	1				
4	44D-E7653-00	SLIDER	3				
5	B6H-E7674-00	COLLAR, GUIDE	1				
6	2DP-E7611-00	SHEAVE, PRIMARY FIXED	1				
7	BBP-E6620-00	CLUTCH CARRIER ASSY	1				
8	B65-WE662-00	.CLUTCH WEIGHT SHOE SET	1				
9	54P-E6629-00	.DAMPER, CLUTCH WEIGHT	3				
10	B65-E6626-00	.SPRING, CLUTCH WEIGHT 1	3				
11	54P-E6819-00	.CIRCLIP, CLUTCH	3				
12	B6H-E7660-00	SECONDARY FIXED SHEAVE COMP.	1				
13	BBP-E7670-00	SECONDARY SLIDING SHEAVE	1				
14	2DP-E7465-00	SEAL	2				
15	2DP-E7465-10	SEAL	2				
16	B74-E7664-00	PIN, GUIDE	3				
17	2DP-E7674-10	COLLAR, GUIDE	3				
18	BBP-E7683-00	SPRING, SECONDARY	1				
19	2DP-E7684-00	SEAT, SECONDARY SPRING	1				
20	2DP-E7668-00	NUT	1				
21	B6H-E7678-00	BEARING	1				
22	2DP-E5744-00	CIRCLIP	1				
23	2DP-E7678-10	BEARING	1				
24	BBP-E6611-00	CLUTCH HOUSING COMP.	1				
25	B8R-E7641-00	V-BELT	1				
26	90201-16819	WASHER, PLATE	1				
27	90201-15849	WASHER, PLATE	1				

**FIG. 12 CLUTCH**



BRW4450-Y120

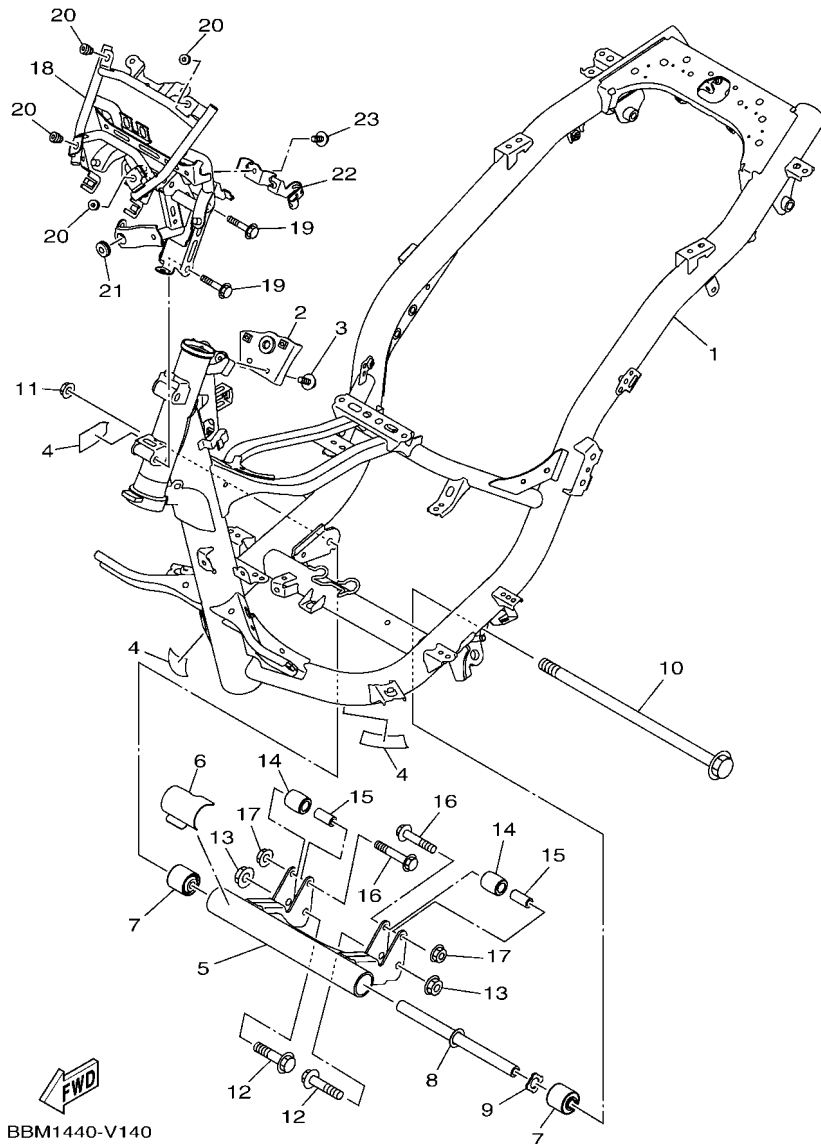
REF. NO.	PART NO.	DESCRIPTION	BBM5				REMARKS
28	90179-12004	NUT	1				
29	90170-12802	NUT	1				
30	933A6-202Y0	BEARING	1				
31	90380-10800	BUSH, SOLID	1				
32	99009-35700	CIRCLIP	1				
33	90201-15847	WASHER, PLATE	1				



BV3H300-V140

FIG. 13 TRANSMISSION

REF. NO.	PART NO.	DESCRIPTION	BBM5				REMARKS
1	2DP-E7410-02	MAIN AXLE COMP. (12T/56T)	1				UR EITHER CAN USE
	2DP-E7410-11	MAIN AXLE COMP. (12T/56T)	1				UR EITHER CAN USE
	2DP-E7410-21	MAIN AXLE COMP. (12T/56T)	1				UR EITHER CAN USE
	2DP-E7410-31	MAIN AXLE COMP. (12T/56T)	1				UR EITHER CAN USE
2	93306-302YU	BEARING	2				
3	B6H-E7421-00	AXLE, DRIVE	1				
4	2DP-E7211-01	GEAR, 1ST WHEEL (35T)	1				UR EITHER CAN USE
	2DP-E7211-11	GEAR, 1ST WHEEL (35T)	1				UR EITHER CAN USE
	2DP-E7211-20	GEAR, 1ST WHEEL (35T)	1				UR EITHER CAN USE
5	99009-25400	CIRCLIP	1				
6	93306-303YW	BEARING	1				
7	93306-255YA	BEARING	1				
8	93102-32807	OIL SEAL	1				
9	B65-E6111-01	GEAR, PRIMARY DRIVE (16T)	1				UR EITHER CAN USE
	B65-E6111-11	GEAR, PRIMARY DRIVE (16T)	1				UR EITHER CAN USE
10	93306-254Y5	BEARING	1				
11	93102-20815	OIL SEAL	1				
12	93306-351Y8	BEARING	1				

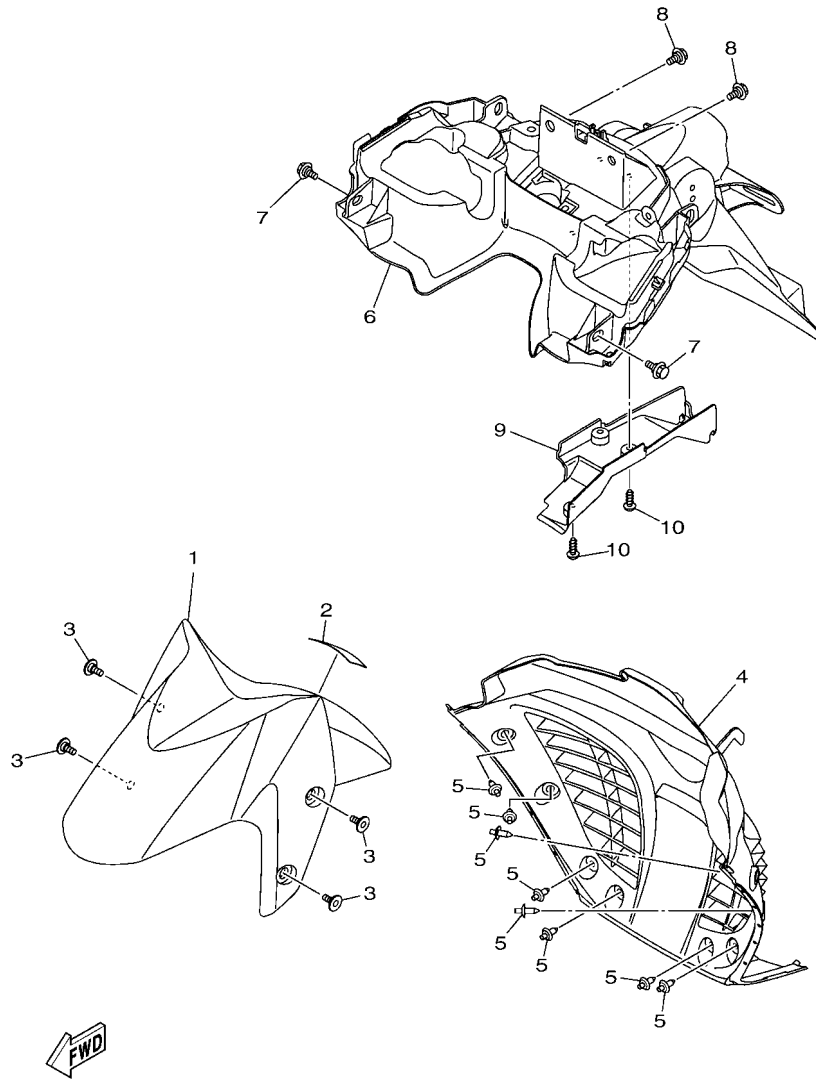


**FIG. 14 FRAME**

REF. NO.	PART NO.	DESCRIPTION	BBM5				REMARKS
1	B6H-F1110-01	FRAME COMP.	1				
2	B6H-H251P-00	BRACKET, MAIN SWITCH	1				
3	90109-068D5	BOLT	2				
4	5D9-F414G-00	SEAL	3				
5	B6H-F1410-00	ENGINE BRACKET COMP.	1				
6	B65-F117G-00	PROTECTOR	1				
7	90388-10818	DAMPER	2				
8	90387-10857	COLLAR	1				
9	B65-F113B-00	DAMPER	1				
10	B65-F2141-00	SHAFT, PIVOT	1				
11	95602-10200	NUT, SELF-LOCKING	1				
12	90105-10283	BOLT, FLANGE	2				
13	95602-10200	NUT, SELF-LOCKING	2				
14	5P2-F7114-00	STOPPER, MAIN STAND	2				
15	90387-08821	COLLAR	2				
16	90105-088E3	BOLT, FLANGE	2				
17	95602-08200	NUT, U FLANGE	2				
18	B6H-F8356-00	STAY 1	1				
19	95D32-08050	BOLT, FLANGE DEEP RECESS	2				
20	90179-05003	NUT	4				
21	90480-17802	GROMMET	1				
22	B6H-F588F-00	HOLDER, BRAKE HOSE 5	1				
23	95D32-06012	BOLT, FLANGE DEEP RECESS	1				

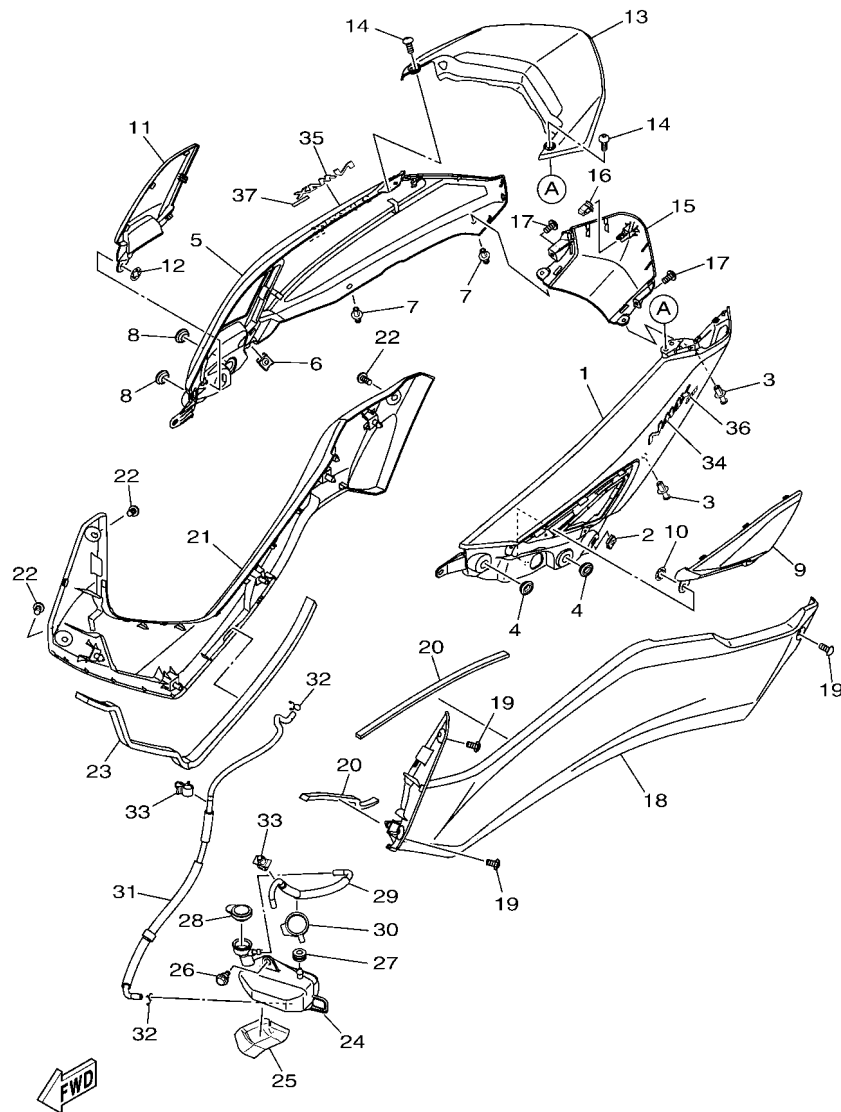


**FIG. 15 FENDER**



BBM1440-V150

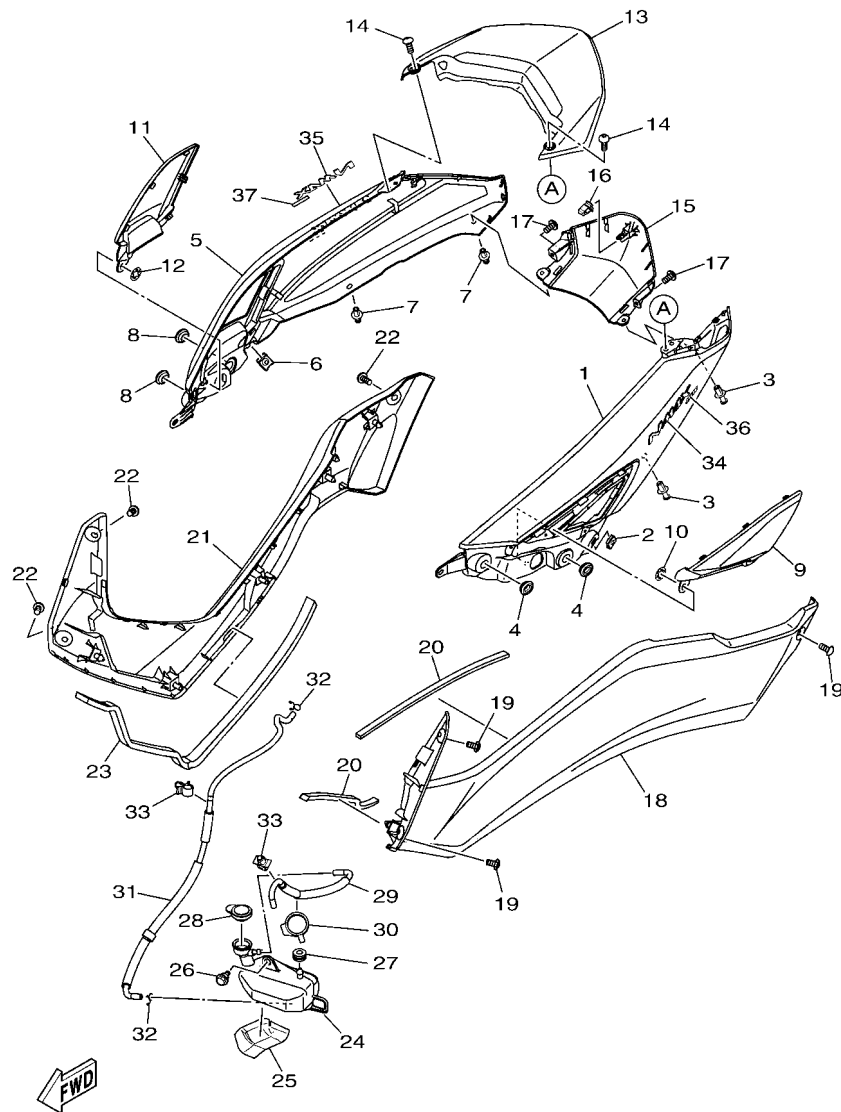
REF. NO.	PART NO.	DESCRIPTION	BBM5				REMARKS
1	2DP-F1511-00-PE	FENDER, FRONT	1				UR FOR RSH
	2DP-F1511-00-PH	FENDER, FRONT	1				UR FOR DBMC
2	5D9-F414G-00	SEAL	1				UR EITHER CAN USE
	B3F-F414G-20	SEAL	1				UR EITHER CAN USE
3	90109-068A4	BOLT	4				
4	B6H-F1552-01	FENDER, INNER	1				
5	90269-06816	RIVET	8				
6	B6H-F1611-30	FENDER, REAR	1				
7	90109-068B2	BOLT	2				
8	90109-068C7	BOLT	2				
9	B6H-F162R-01	FENDER 2	1				
10	97702-50016	SCREW, TAPPING	3				



BBM5440-Y160

FIG. 16 SIDE COVER

REF. NO.	PART NO.	DESCRIPTION	BBM5			REMARKS
1	B6H-F1711-00-PA	COVER, SIDE 1	1			UR FOR RSH
	B6H-F1711-00-PD	COVER, SIDE 1	1			UR FOR DBMC
2	90183-05807	NUT, SPRING	1			
3	90269-06816	RIVET	2			
4	90480-01559	GROMMET	2			
5	B6H-F1721-00-PA	COVER, SIDE 2	1			UR FOR RSH
	B6H-F1721-00-PD	COVER, SIDE 2	1			UR FOR DBMC
6	90183-05807	NUT, SPRING	1			
7	90269-06816	RIVET	2			
8	90480-01559	GROMMET	2			
9	B6H-F171E-00	COVER, SIDE 5	1			
10	90183-06815	NUT, SPRING	1			
11	B6H-F171X-00	COVER, SIDE 6	1			
12	90183-06815	NUT, SPRING	1			
13	B6H-H4716-00	COVER, TAILLIGHT	1			
14	97707-50016	SCREW, TRUSS HEAD TAPPING	2			
15	B6H-F1651-00-PA	COVER, REAR FENDER	1			UR FOR RSH
	B6H-F1651-00-PD	COVER, REAR FENDER	1			UR FOR DBMC
16	90464-07018	CLAMP	1			
17	97702-50016	SCREW, TAPPING	2			
18	B6H-F1731-00-P3	COVER, SIDE 3	1			UR SM12 FOR RSH
	B6H-F1731-00-P4	COVER, SIDE 3	1			UR MBL2 FOR DBMC
19	90160-05810	SCREW, ROUND TAPPING	3			
20	90520-10854	DAMPER, PLATE	2			
21	B6H-F1741-00-P3	COVER, SIDE 4	1			UR SM12 FOR RSH
	B6H-F1741-00-P4	COVER, SIDE 4	1			UR MBL2 FOR DBMC
22	90160-05810	SCREW, ROUND TAPPING	3			

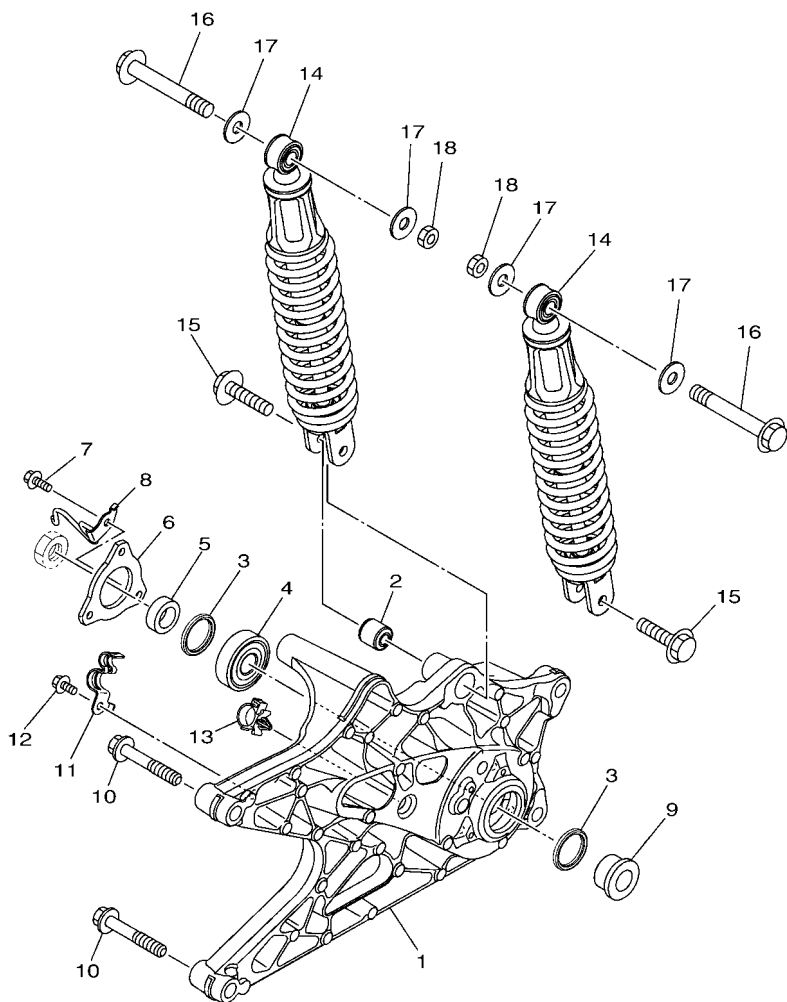


BBM5440-Y160

FIG. 16 SIDE COVER

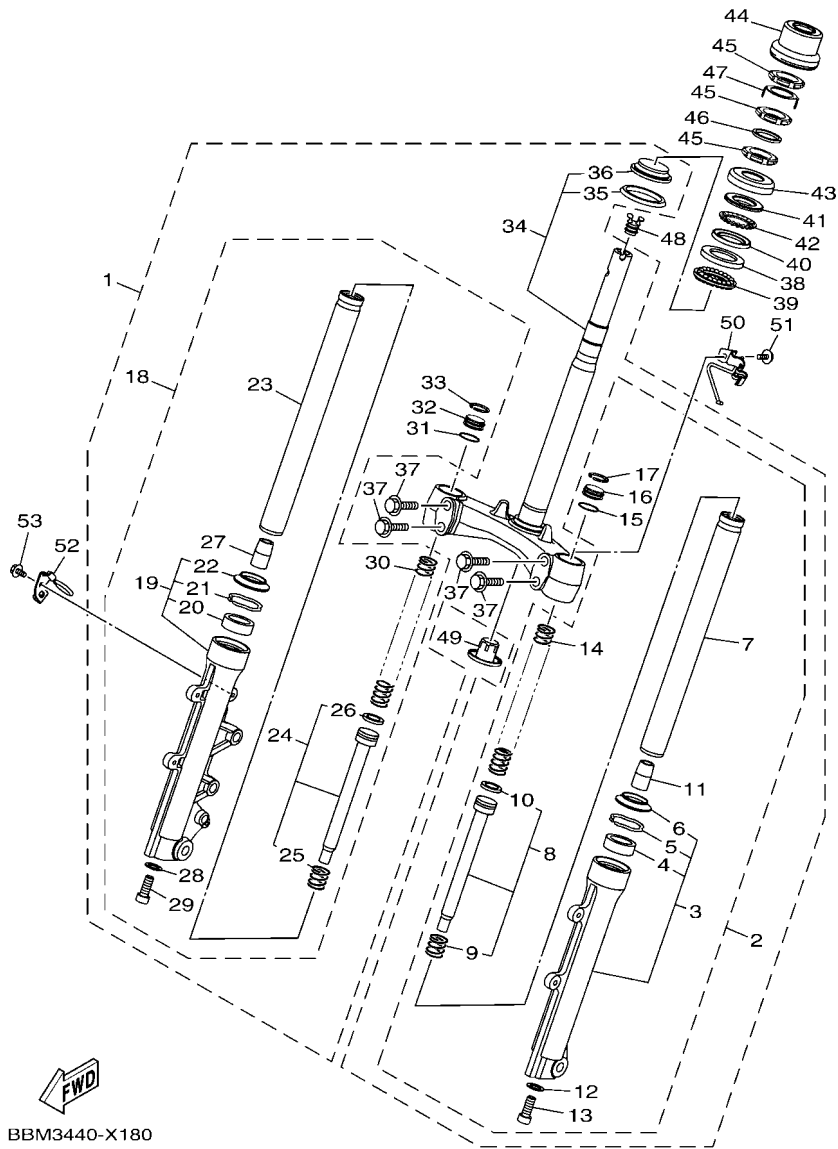
REF. NO.	PART NO.	DESCRIPTION	BBM5				REMARKS
23	90520-15817	DAMPER, PLATE	1				
24	B65-F1871-00	TANK, RECOVERY	1				
25	B6H-F1746-00	DAMPER	1				
26	90109-068B2	BOLT	1				
27	90480-14808	GROMMET	1				
<hr/>							
28	1S7-F1875-01	CAP	1				
29	B6H-F1816-10	PIPE 1	1				
30	90464-30001	CLAMP	1				
31	B6H-F1817-10	PIPE 2	1				
32	90467-08003	CLIP	2				
<hr/>							
33	90464-07805	CLAMP	2				
34	B6H-F173B-00	EMBLEM 3D	1				UR FOR DBMC
	B6H-F173B-50	EMBLEM 3D	1				UR FOR RSH
35	B6H-F173B-00	EMBLEM 3D	1				UR FOR DBMC
	B6H-F173B-50	EMBLEM 3D	1				UR FOR RSH
<hr/>							
36	B6H-F173E-F0	GRAPHIC 1	1				UR FOR RSH
	B6H-F173E-G0	GRAPHIC 1	1				UR FOR DBMC
37	B6H-F173E-F0	GRAPHIC 1	1				UR FOR RSH
	B6H-F173E-G0	GRAPHIC 1	1				UR FOR DBMC
<hr/>							
<hr/>							

**FIG. 17 REAR ARM & SUSPENSION**



**FWD**  
BBM3440-X170

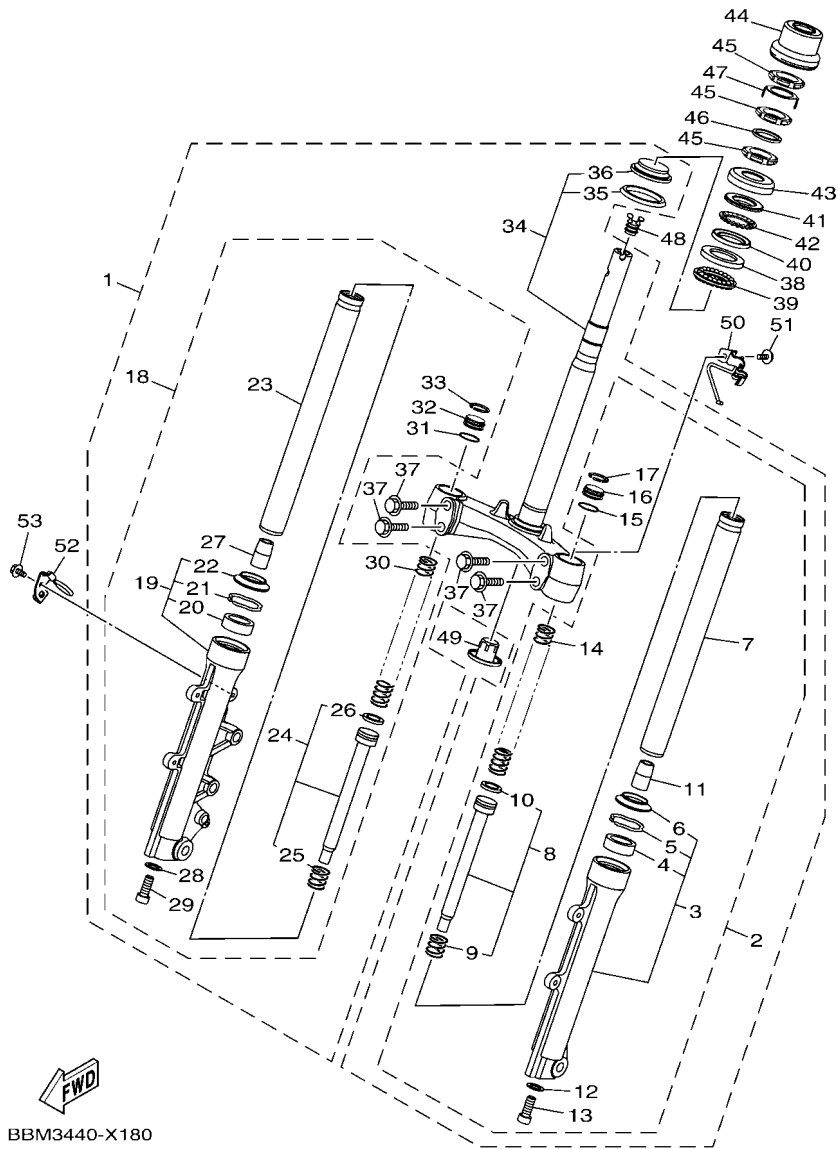
REF. NO.	PART NO.	DESCRIPTION	BBM5	REMARKS
1	B6H-F2171-10	ARM, REAR 1	1	
2	90388-08803	DAMPER	1	
3	93106-28801	OIL SEAL	2	
4	93306-303YX	BEARING	1	
5	90387-17807	COLLAR	1	
6	2DP-F2117-10	CAP	1	
7	95D37-06016	BOLT, FLANGE DEEP RECESS	3	
8	B6H-F588G-10	HOLDER, BRAKE HOSE 6	1	
9	90387-17808	COLLAR	1	
10	95D32-10060	BOLT, FLANGE DEEP RECESS	2	
11	B6H-F5886-00	HOLDER, BRAKE HOSE	1	
12	95D32-06012	BOLT, FLANGE DEEP RECESS	1	
13	90464-16006	CLAMP	1	
14	B1T-F2210-00	SHOCK ABSORBER ASSY, REAR	2	
15	90105-088E8	BOLT, FLANGE	2	
16	90105-108C1	BOLT, FLANGE	2	
17	90201-10853	WASHER, PLATE	4	
18	95302-10600	NUT, HEXAGON	2	



BBM3440-X180

FIG. 18 STEERING

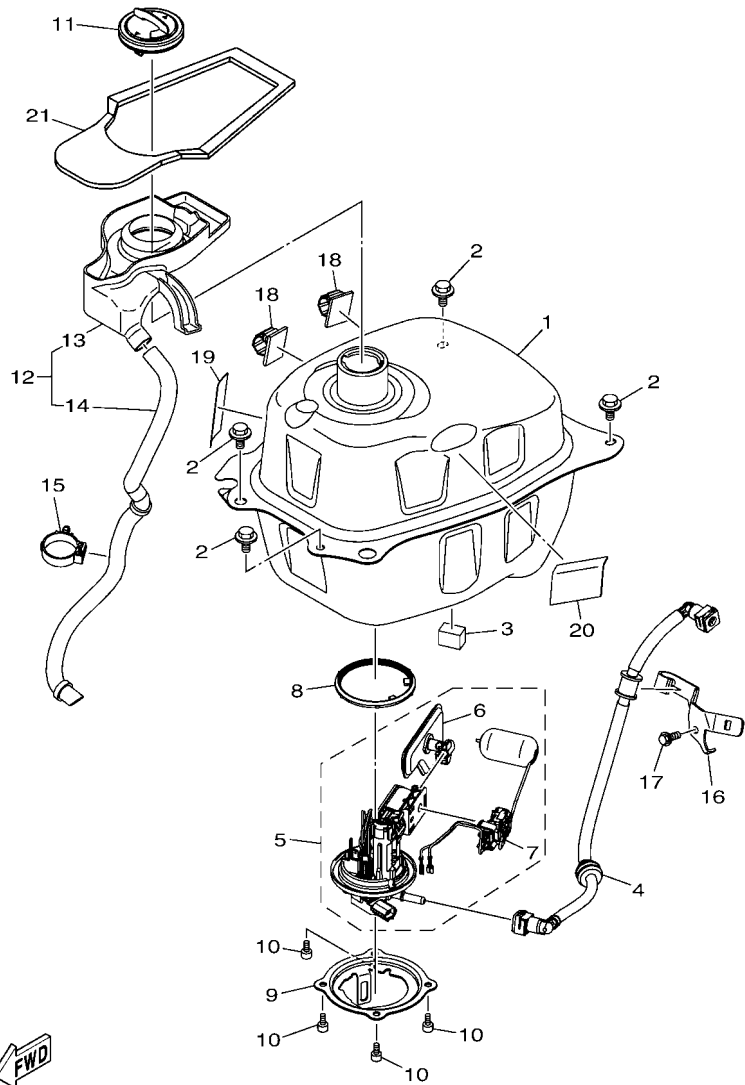
REF. NO.	PART NO.	DESCRIPTION	BBM5	REMARKS
1	B6H-F3100-10	FRONT FORK ASSY	1	
2	B6H-F3102-00	.DAMPER ASSY. (L)	1	
3	2DP-F3126-00	..TUBE, OUTER (L.H)	1	
4	3HB-F3145-00	...OIL SEAL	1	
5	3V3-F3156-00	...RING, SNAP	1	
6	3HB-F3144-00	...SEAL, DUST	1	
7	2DP-F3110-00	..INNER TUBE COMP.1	1	
8	2DP-F3170-00	..CYLINDER COMP., FRONT FORK	1	
9	2K5-23152-00	...SPRING, SUB	1	
10	2DP-F3157-00	...RING, PISTON	1	
11	2DP-F3173-00	..SPINDLE, TAPER	1	
12	2BU-F3158-00	..GASKET	1	
13	278-F3181-50	..BOLT, HEXAGON SOCKET HEAD	1	
14	B6H-F3141-00	..SPRING, FRONT FORK	1	
15	3Y6-23114-00	..GASKET	1	
16	2DP-F3111-00	..BOLT, CAP	1	
17	2DP-F3153-00	..RING, SNAP	1	
18	B6H-F3103-00	.DAMPER ASSY. (R)	1	
19	2DP-F3136-00	..TUBE, OUTER	1	
20	3HB-F3145-00	...OIL SEAL	1	
21	3V3-F3156-00	...RING, SNAP	1	
22	3HB-F3144-00	...SEAL, DUST	1	
23	2DP-F3110-00	..INNER TUBE COMP.1	1	
24	2DP-F3170-00	..CYLINDER COMP., FRONT FORK	1	
25	2K5-23152-00	...SPRING, SUB	1	
26	2DP-F3157-00	...RING, PISTON	1	
27	2DP-F3173-00	..SPINDLE, TAPER	1	



BBM3440-X180

FIG. 18 STEERING

REF. NO.	PART NO.	DESCRIPTION	BBM5	REMARKS
28	2BU-F3158-00	..GASKET	1	
29	278-F3181-50	..BOLT, HEXAGON SOCKET HEAD	1	
30	B6H-F3141-00	..SPRING, FRONT FORK	1	
31	3Y6-23114-00	..GASKET	1	
32	2DP-F3111-00	..BOLT, CAP	1	
33	2DP-F3153-00	..RING, SNAP	1	
34	B6H-F2403-00	..UNDER BRACKET COMP	1	
35	B63-F3462-00	..SEAL, DUST	1	
36	2TD-F3875-00	..BEARING, STEERING LOWER	1	
37	5YW-F3346-10	..BOLT 1	4	
38	1KL-F3412-10	RACE, BALL 2	1	
39	5VL-F341E-10	RETAINER, BALL BEARING	1	
40	4RT-F3412-10	RACE, BALL 2	1	
41	4RT-F3411-10	RACE, BALL 1	1	
42	1P6-F341E-10	RETAINER, BALL BEARING	1	
43	2WB-F3416-00	COVER, BALL RACE 2	1	
44	B65-F3415-00	COVER, BALL RACE 1	1	
45	90179-25810	NUT	3	
46	90202-26142	WASHER, PLATE	1	
47	1PA-F3418-00	WASHER, SPECIAL	1	UR EITHER CAN USE
	1SK-F3418-00	WASHER, SPECIAL	1	UR EITHER CAN USE
48	B6H-F312G-00	PLUG, HOLE	1	
49	B65-F3123-00	COVER, UNDER 1	1	
50	B6H-F5875-00	HOLDER, BRAKE HOSE 1	1	
51	95D02-06012	BOLT, FLANGE DEEP RECESS	1	
52	B6H-F5876-00	HOLDER, BRAKE HOSE 2	1	
53	95D02-06012	BOLT, FLANGE DEEP RECESS	1	



BBM3440-X190

FIG. 19 FUEL TANK

REF. NO.	PART NO.	DESCRIPTION	BBM5				REMARKS
1	B6H-F4110-01	FUEL TANK COMP.	1				
2	90119-068B7	BOLT, WITH WASHER	4				
3	90520-15803	DAMPER, PLATE	1				
4	B6H-E3971-00	PIPE, FUEL 1	1				
5	B6H-E3907-01	FUEL PUMP COMP.	1				
6	54P-E3915-00	.FILTER, FUEL SUCTION	1				
7	BK6-H5752-00	.SENDER	1				
8	54P-F414G-10	SEAL	1				
9	B6H-F4491-00	BRACKET, FUEL PUMP	1				
10	91312-05010	BOLT, HEXAGON SOCKET HEAD	4				
11	B6H-F4610-01	CAP ASSY	1				
12	B6H-F414A-01	COVER, FILLER	1				
13	B6H-F4217-00	.COVER	1				
14	B6H-F4318-01	.PIPE, OVERFLOW	1				
15	90464-30001	CLAMP	1				
16	B6H-F419A-10	HOLDER	1				
17	95E37-06012	BOLT, FLANGE DEEP RECESS	1				
18	90464-14002	CLAMP	2				
19	5D9-F414G-00	SEAL	1				
20	5TP-F139X-00	DAMPER	1				
21	BBM-F113B-00	DAMPER	1				

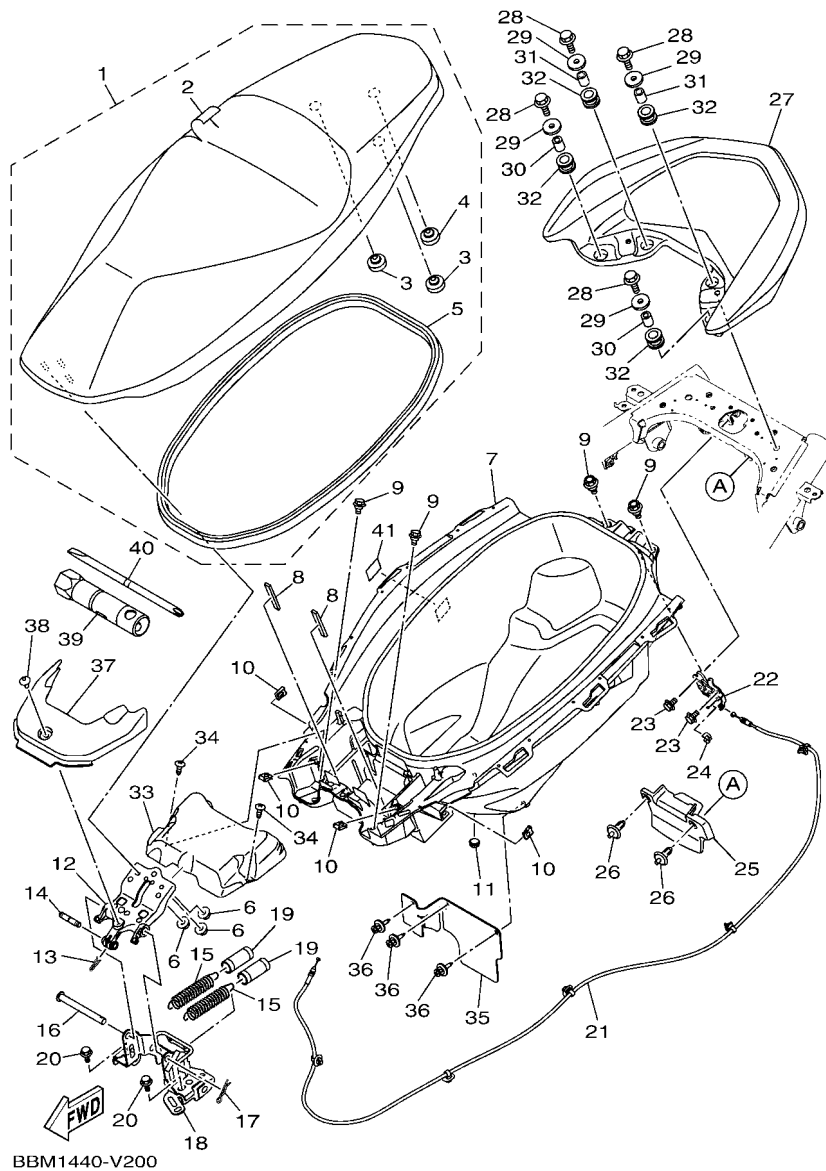
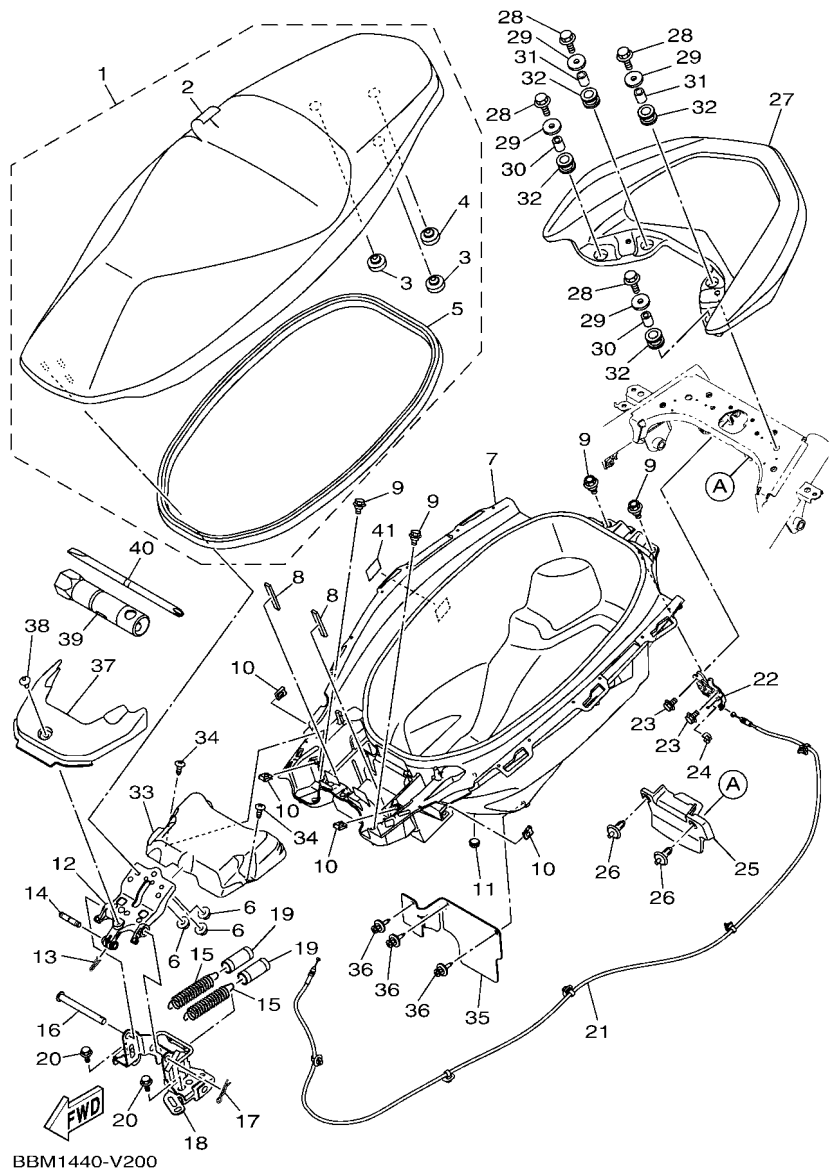


FIG. 20 SEAT

REF. NO.	PART NO.	DESCRIPTION	BBMS				REMARKS
1	B6H-F4730-01	DOUBLE SEAT ASSY	1				
2	B6H-F470F-01	.SEAT COVER COMP.	1				
3	5BP-F4741-00	.PAD, SEAT	2				
4	3C1-F4741-00	.PAD, SEAT	1				
5	B6H-F475M-00	.SEAL	1				
6	95702-06500	NUT, FLANGE	3				
7	B6H-F473R-00	BOX 1	1				
8	90520-04806	DAMPER, PLATE	2				
9	90109-068B2	BOLT	4				
10	90183-05807	NUT, SPRING	4				
11	4US-F6199-00	PLUG, BLIND	1				
12	B6H-F4769-00	HINGE, SEAT	1				
13	90468-08086	CLIP	1				
14	B6H-F4811-00	HOOK, STRING	1				
15	90506-23815	SPRING, TENSION	2				
16	B74-F4727-00	PIN, SEAT FITTING	1				
17	90468-18121	CLIP	1				
18	B6H-F472A-00	SUPT. ,BATTERY	1				
19	B6H-F247C-00	HOSE 3	2				
20	90119-06212	BOLT, WITH WASHER	2				
21	B6H-F478E-10	CABLE, SEAT LOCK	1				
22	40D-F4780-01	SEAT LOCK ASSY	1				
23	95E32-06012	BOLT, FLANGE DEEP RECESS	2				
24	1S7-F4768-00	STOPPER	1				
25	B6H-F472T-01	COVER, SEAT LOCK	1				
26	90269-06816	RIVET	2				
27	B6H-F4773-10	HANDLE, SEAT	1				

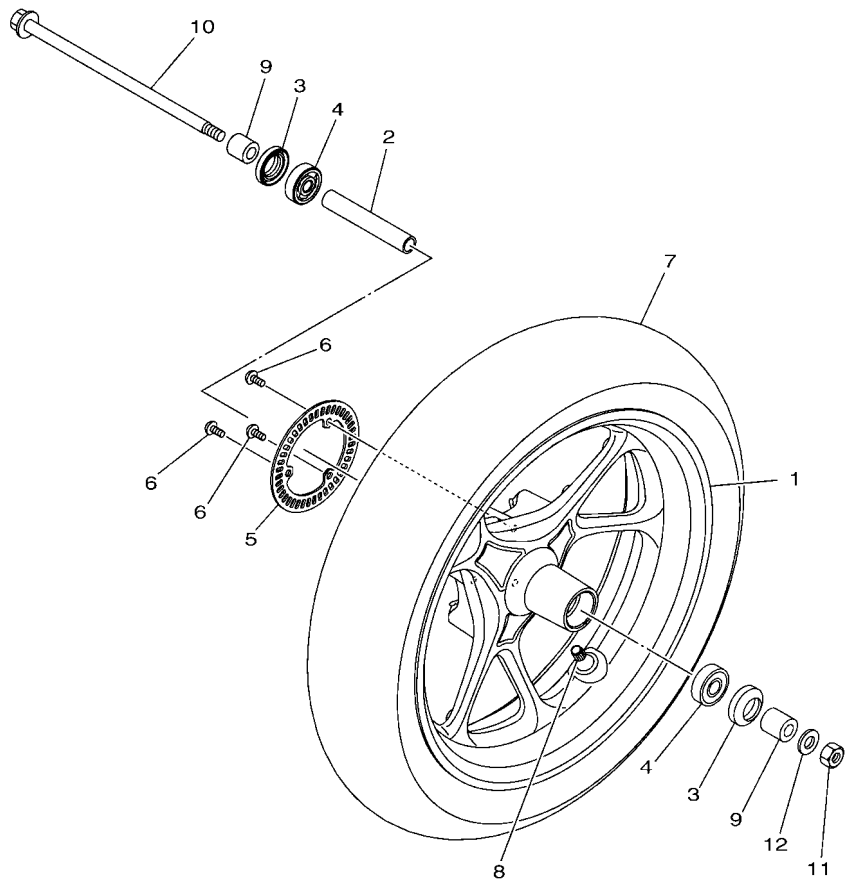




**FIG. 20 SEAT**

REF. NO.	PART NO.	DESCRIPTION	BBM5				REMARKS
28	95D32-08035	BOLT, FLANGE DEEP RECESS	4				
29	90201-08884	WASHER, PLATE	4				
30	90387-08847	COLLAR	2				
31	90387-10867	COLLAR	2				
32	90480-19802	GROMMET	4				
33	B6H-H2129-10	COVER, BATTERY	1				
34	97707-50012	SCREW, TRUSS HEAD TAPPING	2				
35	B6H-F1621-10	FLAP	1				
36	90269-06812	RIVET	3				
37	B6H-F842N-00	COVER 2	1				
38	90111-05816	BOLT, HEXAGON SOCKET BUTTON	1				
39	2DP-F814F-00	BOX, SPARK PLUG	1				
40	3AY-F8152-00	DRIVER	1				
41	BC1-F1668-00	LABEL, TIRE	1				

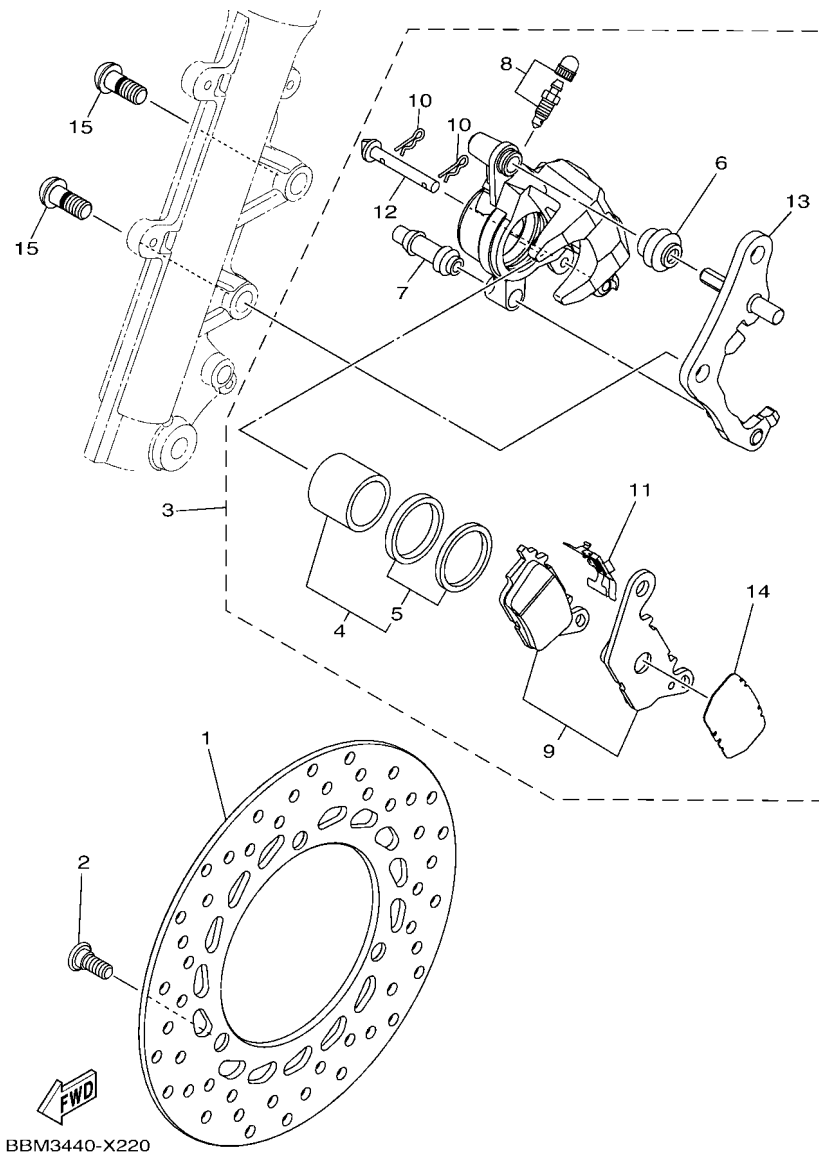
**FIG. 21 FRONT WHEEL**



REF. NO.	PART NO.	DESCRIPTION	BBMS	REMARKS
1	B6H-F5168-00-33	CAST WHEEL, FRONT	1	YB FOR RSH,DBMC
2	90387-10839	COLLAR	1	
3	93106-20816	OIL SEAL	2	
4	93306-300YN	BEARING	2	
5	2DP-F517G-00	ROTOR, SENSOR	1	
6	90149-05030	SCREW	3	
7	94111-13803	TIRE (110/70-13M/C 48P)	1	INOUE
8	93900-00824	VALVE, RIM	1	
9	90387-10277	COLLAR	2	
10	2DP-F5181-10	AXLE, WHEEL	1	
11	90185-10012	NUT, SELF-LOCKING	1	
12	90201-10831	WASHER, PLATE	1	



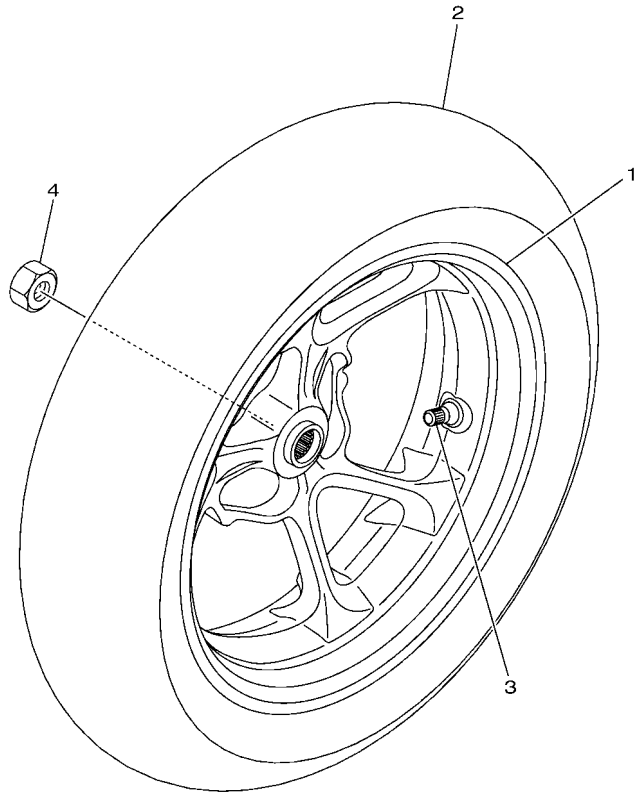
B6H1460-U210



**FIG. 22 FRONT BRAKE CALIPER**

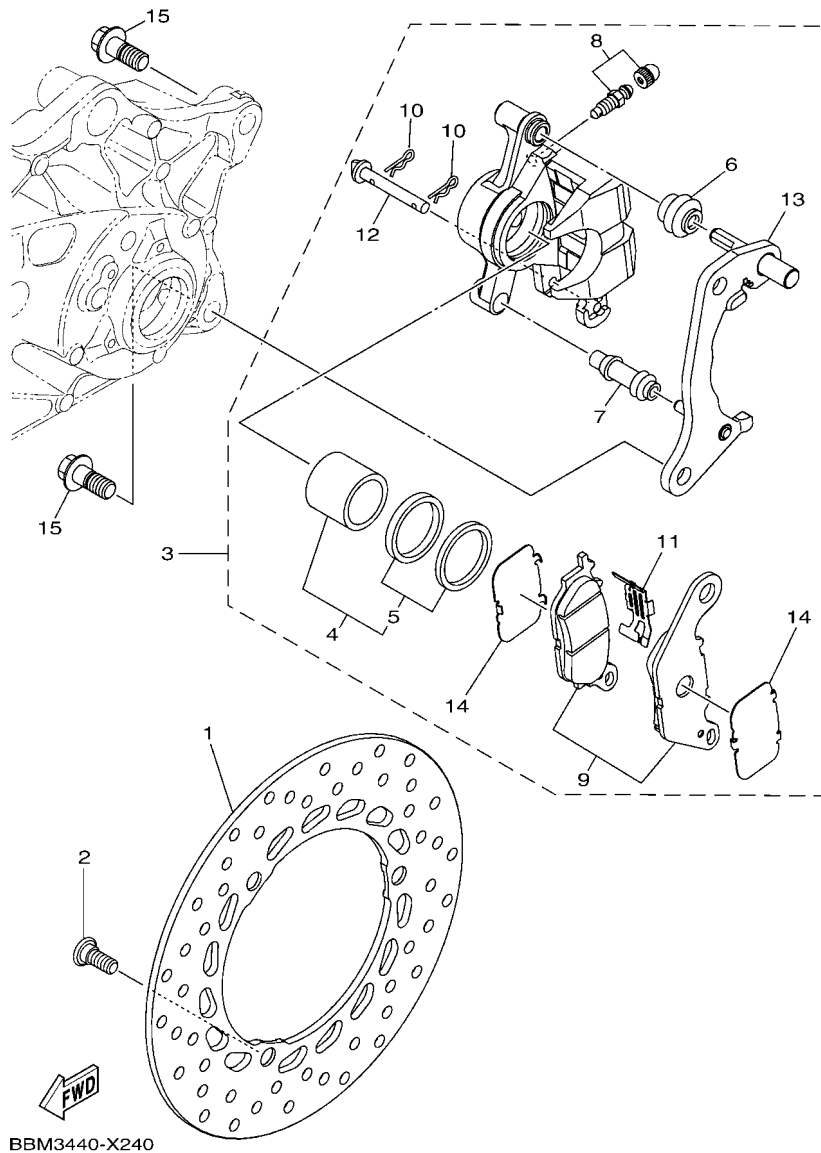
REF. NO.	PART NO.	DESCRIPTION	BBM5				REMARKS
1	2DP-F582U-00	DISK, BRAKE (RIGHT)	1				
2	90109-08232	BOLT	3				
3	B6H-F580U-00	CALIPER ASSY (RIGHT)	1				
4	2BM-F5802-00	.PISTON ASSY, CALIPER	1				
5	5YP-F5803-50	..CALIPER SEAL KIT	1				
6	2BM-F5917-00	..BOOT, CALIPER	1				
7	5YP-F5937-00	..BOOT 2	1				
8	4C9-W0048-00	..BLEED SCREW KIT	1				
9	2DP-F5805-00	..BRAKE PAD KIT	1				
10	5YP-F5925-01	..CLIP	2				
11	2BM-F5919-00	..SUPPORT, PAD	1				
12	5YP-F5924-00	..PIN, PAD	1				
13	2DP-F5920-00	..SUPT. BRKT. ASSY.	1				
14	B8A-F5827-00	..SHIM, CALIPER	1				
15	90149-10805	SCREW	2				

**FIG. 23 REAR WHEEL**



REF. NO.	PART NO.	DESCRIPTION	BBM5				REMARKS
1	B6H-F5338-00-33	CAST WHEEL, REAR	1				YB FOR RSH,DBMC
2	94113-13809	TIRE (130/70-13M/C 63P)	1				INOUE
3	93900-00824	VALVE, RIM	1				
4	90185-16800	NUT, SELF-LOCKING	1				

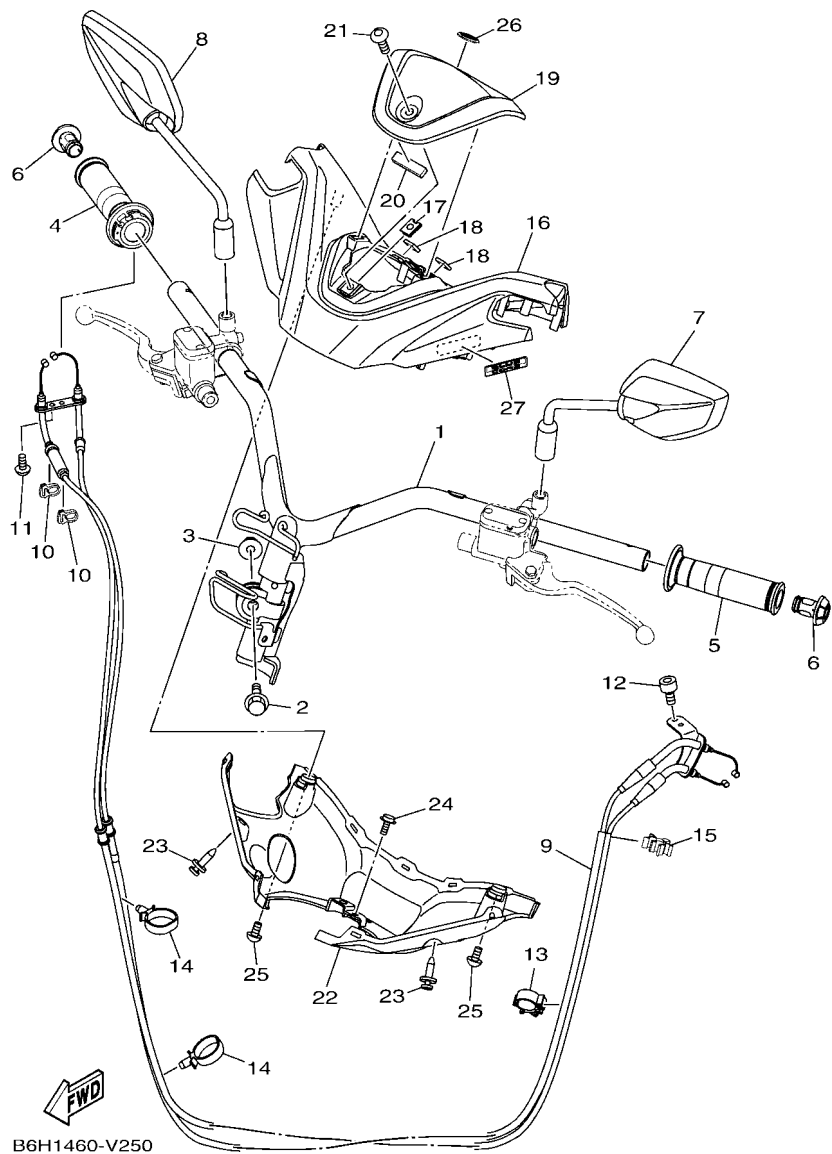
  
 BBM1440-V230



**FIG. 24 REAR BRAKE CALIPER**

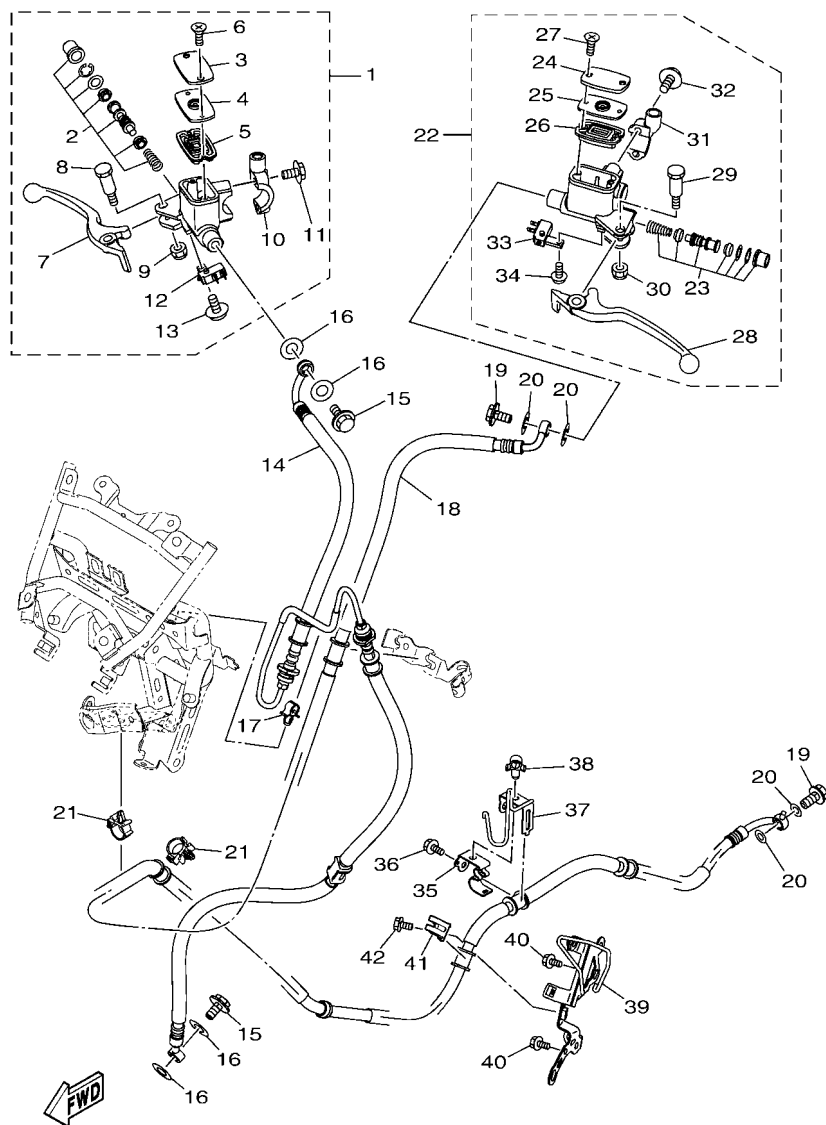
REF. NO.	PART NO.	DESCRIPTION	BBM5				REMARKS
1	2DP-F582W-00	DISK, REAR BRAKE 2	1				
2	90109-08232	BOLT	3				
3	B6H-F580W-00	CALIPER ASSY, REAR 2	1				
4	5P0-F5802-00	.PISTON ASSY, CALIPER	1				
5	5YP-F5803-50	..CALIPER SEAL KIT	1				
6	5YP-F5917-00	..BOOT, CALIPER	1				
7	5YP-F5937-00	..BOOT 2	1				
8	4C9-W0048-00	..BLEED SCREW KIT	1				
9	B6H-F5805-00	..BRAKE PAD KIT	1				
10	5YP-F5925-01	..CLIP	2				
11	5P0-F5919-01	..SUPPORT, PAD	1				
12	5YP-F5924-00	..PIN, PAD	1				
13	2DP-F5920-50	..SUPT. BRKT. ASSY.	1				
14	5P0-F5827-00	..SHIM, CALIPER	2				
15	95812-10030	BOLT, FLANGE	2				

**FIG. 25 STEERING HANDLE & CABLE**



B6H1460-V250

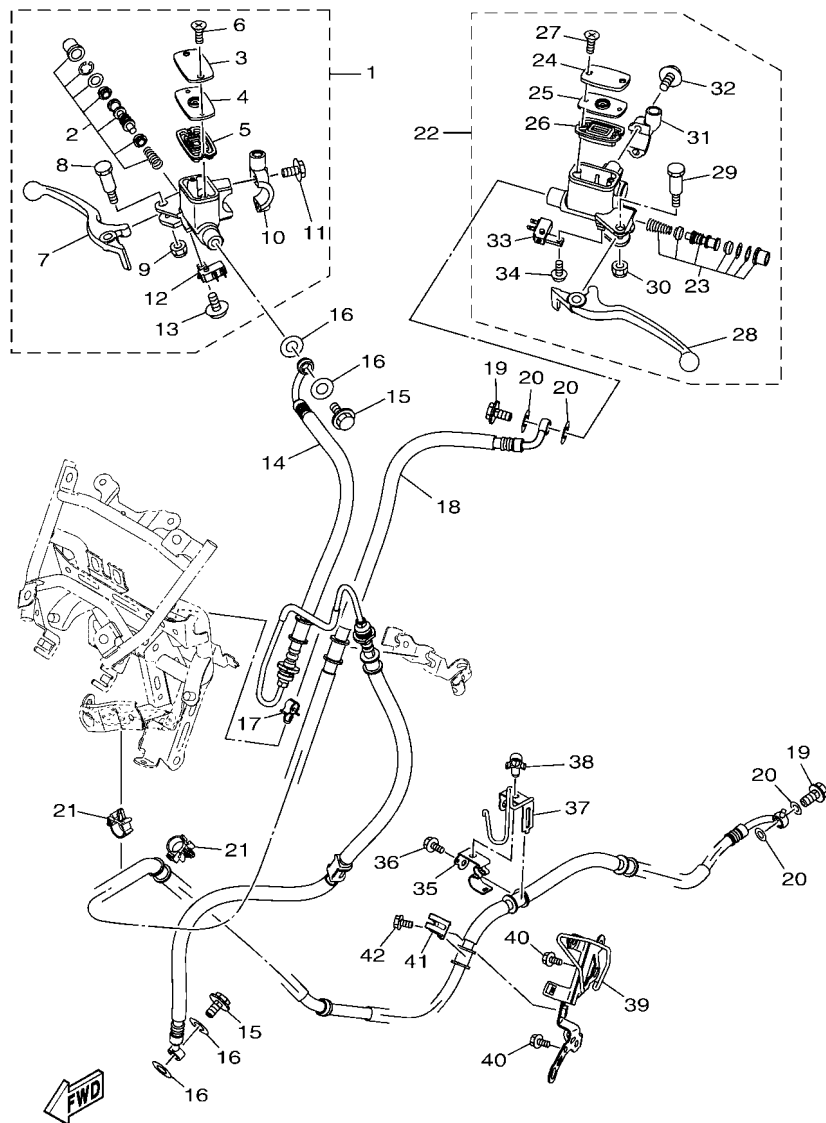
REF. NO.	PART NO.	DESCRIPTION	BBMS				REMARKS
1	B6H-F6110-01	HANDLE COMP.	1				
2	90105-108B0	BOLT, FLANGE	1				
3	90185-10011	NUT, SELF-LOCKING	1				
4	B6H-F6240-00	GRIP ASSY	1				
5	2DP-F6241-00	GRIP	1				
6	2PH-F6246-00	END, GRIP	2				
7	2DP-F6280-10	REAR VIEW MIRROR ASSY (LEFT)	1				
8	2DP-F6290-10	REAR VIEW MIRROR ASSY (RIGHT)	1				
9	B6H-F6301-10	THROTTLE CABLE ASSY	1				
10	90464-08009	CLAMP	2				
11	92017-05016	BOLT, BUTTON HEAD	1				
12	91312-05010	BOLT, HEXAGON SOCKET HEAD	2				
13	90464-16808	CLAMP	1				
14	90464-24230	CLAMP	2				
15	90464-07807	CLAMP	1				
16	B6H-F6143-00	COVER, HANDLE UPPER 1	1				
17	90183-06818	NUT, SPRING	1				
18	90520-02849	DAMPER, PLATE	2				
19	B6H-F6219-00-P1	EMBLEM	1				MNM3 FOR RSH,DBMC
20	90520-02014	DAMPER, PLATE	1				
21	90149-06104	SCREW	1				
22	B6H-F6144-00	COVER, HANDLEBAR LOWER 1	1				
23	90269-06816	RIVET	2				
24	90159-05032	SCREW, WITH WASHER	1				
25	90160-05014	SCREW, ROUND TAPPING	2				
26	5P2-F1737-00	EMBLEM	1				
27	B92-F1737-00	EMBLEM	1				



B6H1460-U270

FIG. 26 FRONT MASTER CYLINDER

REF. NO.	PART NO.	DESCRIPTION	BBMS				REMARKS
1	BBM-F583T-00	MASTER CYLINDER ASSY	1				
2	2DP-F5807-00	.CYLINDER KIT, MASTER	1				
3	5HV-F5852-00	.CAP, RESERVOIR	1				
4	5HV-F585B-10	.PLATE, DIAPHRAGM	1				
5	5HV-F5854-10	.DIAPHRAGM, RESERVOIR	1				
6	98707-04012	.SCREW, FLAT HEAD	2				
7	2DP-H3922-00	.LEVER 2	1				
8	2DP-F589F-00	.BOLT, LEVER	1				
9	95602-06100	.NUT, SELF-LOCKING	1				
10	2DP-F5867-10	.BRACKET, MASTER CYLINDER	1				
11	1S9-F6332-00	.BOLT	2				
12	B6H-H3980-00	.FRONT STOP SWITCH ASSY	1				
13	97602-04312	.SCREW, PAN HEAD WITH WASHER	1				
14	B6H-F5872-10	HOSE, BRAKE 1	1				
15	90401-10812	BOLT, UNION	2				
16	90201-10118	WASHER, PLATE	4				
17	90464-07805	CLAMP	1				
18	B6H-F5873-20	HOSE, BRAKE 2	1				
19	90401-10812	BOLT, UNION	2				
20	90201-10118	WASHER, PLATE	4				
21	90464-16808	CLAMP	2				
22	BBM-F583V-00	RR. MASTER CYLINDER ASSY.	1				
23	2DP-F5807-10	.CYLINDER KIT, MASTER	1				
24	5HV-F5852-00	.CAP, RESERVOIR	1				
25	5HV-F585B-10	.PLATE, DIAPHRAGM	1				
26	5HV-F5854-10	.DIAPHRAGM, RESERVOIR	1				
27	98707-04012	.SCREW, FLAT HEAD	2				



B6H1460-U270

FIG. 26 FRONT MASTER CYLINDER

REF. NO.	PART NO.	DESCRIPTION	BBMS				REMARKS
28	2DP-H3912-00	.LEVER 1	1				
29	2DP-F589F-00	.BOLT, LEVER	1				
30	95602-06100	.NUT, SELF-LOCKING	1				
31	2DP-F5867-00	.BRACKET, MASTER CYLINDER	1				
32	1S9-F6332-00	.BOLT	2				
33	B6H-H2530-00	.STOP SWITCH ASSY	1				
34	97602-04312	.SCREW, PAN HEAD WITH WASHER	1				
35	B6H-F5887-00	HOLDER, BRAKE HOSE 3	1				
36	95D02-06012	BOLT, FLANGE DEEP RECESS	1				
37	B6H-F5522-00	HOLDER	1				
38	90464-07805	CLAMP	1				
39	B6H-F194U-00	STAY, IGNITION COIL	1				
40	95E32-06012	BOLT, FLANGE DEEP RECESS	2				
41	B6H-F587A-00	HOLDER, BRAKE HOSE 4	1				
42	95E32-06012	BOLT, FLANGE DEEP RECESS	1				



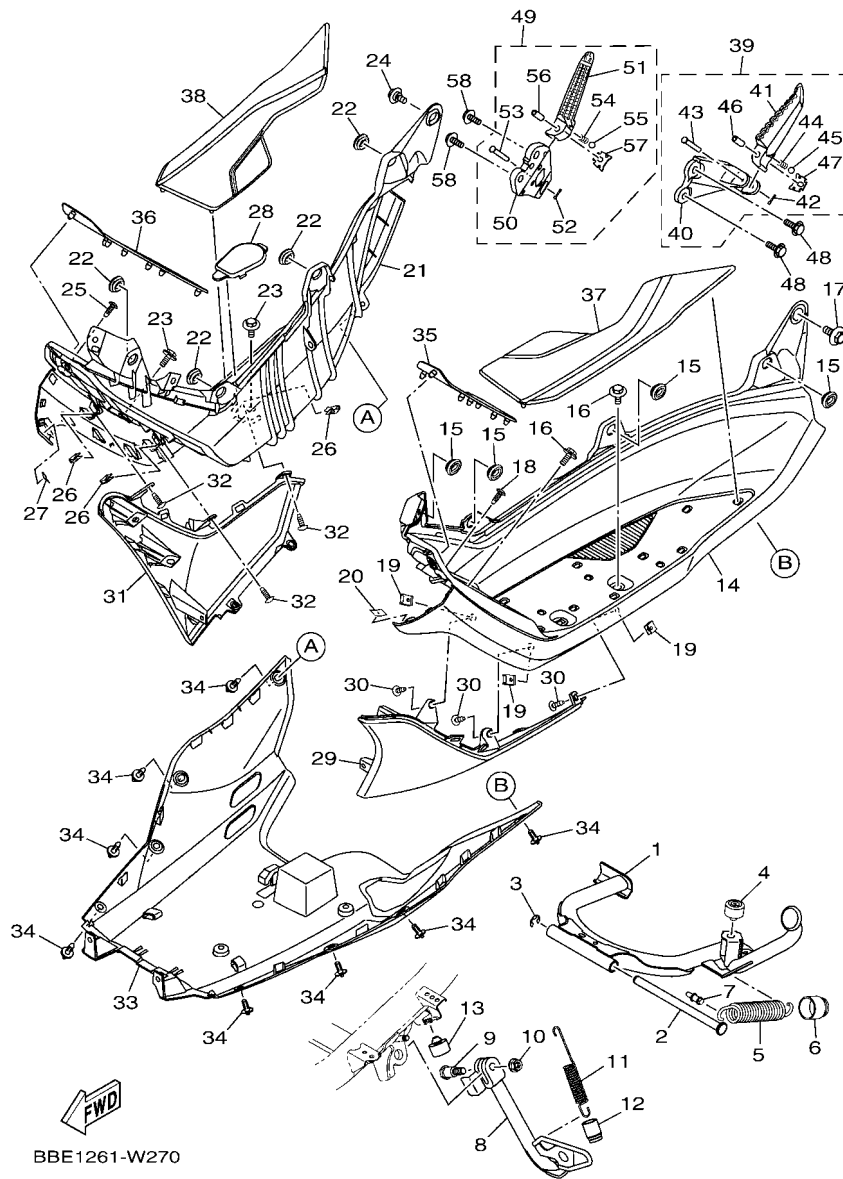
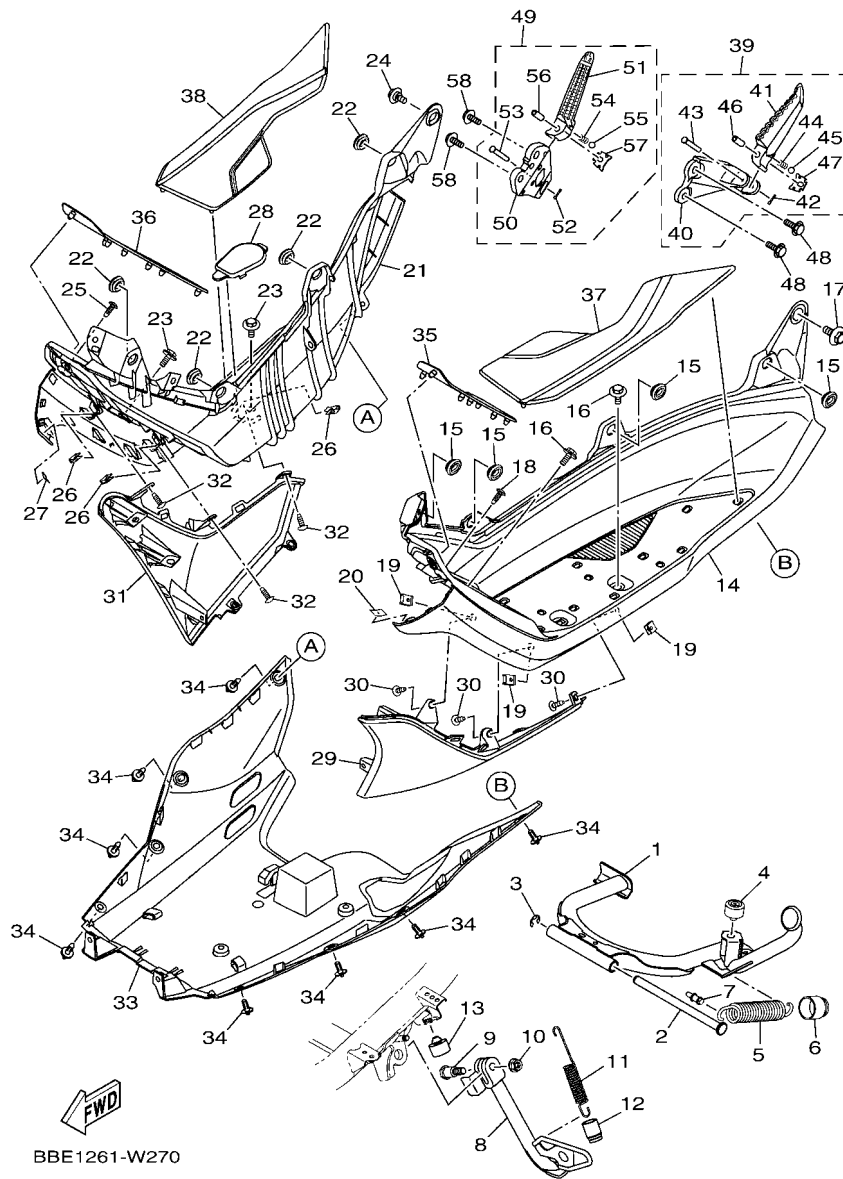


FIG. 27 STAND & FOOTREST

REF. NO.	PART NO.	DESCRIPTION	BBMS	REMARKS
1	B6H-F7111-00	STAND, MAIN	1	
2	B6H-F7112-00	SHAFT, MAIN STAND	1	
3	99002-09600	CIRCLIP	1	
4	54P-F7114-00	STOPPER, MAIN STAND	1	
5	90506-40806	SPRING, TENSION	1	
6	B6H-F247A-00	HOSE 1	1	
7	1LB-F7254-00	HOOK	1	
8	B6H-F7311-01	STAND, SIDE	1	
9	B65-F7217-00	BOLT	1	UR EITHER CAN USE
	B63-F7217-00	BOLT	1	UR EITHER CAN USE
10	95602-10200	NUT, SELF-LOCKING	1	
11	90506-20818	SPRING, TENSION	1	
12	B6H-F247B-00	HOSE 2	1	
13	54P-F7114-00	STOPPER, MAIN STAND	1	
14	B6H-F7481-00	BOARD, FOOTREST	1	
15	90480-01559	GROMMET	4	
16	90119-06235	BOLT, WITH WASHER	2	
17	90109-068B2	BOLT	1	
18	97702-50016	SCREW, TAPPING	1	
19	90183-05807	NUT, SPRING	3	
20	90520-02849	DAMPER, PLATE	1	
21	B6H-F7488-00	BOARD, FOOTREST 2	1	
22	90480-01559	GROMMET	4	
23	90119-06235	BOLT, WITH WASHER	2	
24	90109-068B2	BOLT	1	
25	97702-50016	SCREW, TAPPING	1	
26	90183-05807	NUT, SPRING	3	

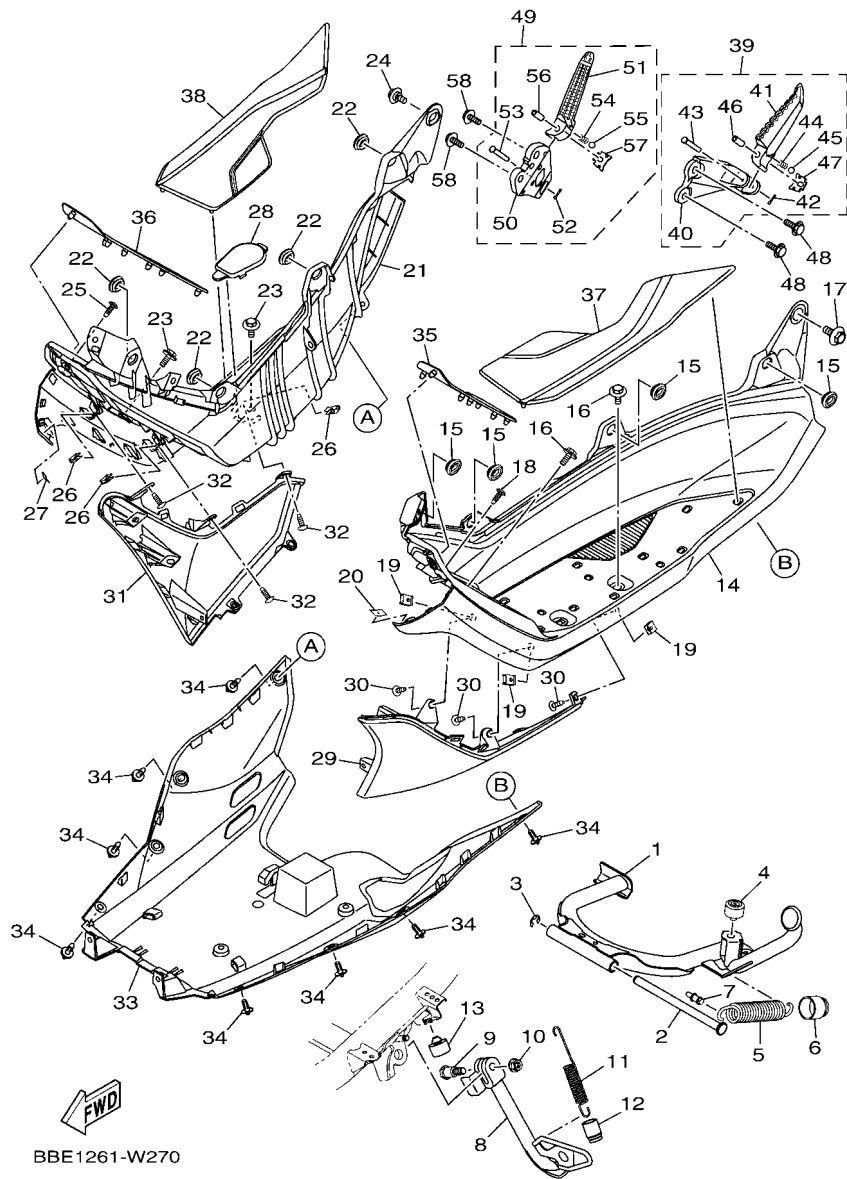


BBE1261-W270

FIG. 27 STAND & FOOTREST

REF. NO.	PART NO.	DESCRIPTION	BBMS	REMARKS
27	90520-02849	DAMPER, PLATE	1	
28	2DP-F172W-01	COVER	1	
29	B6H-F171L-00-PA	MOLE, SIDE COVER 1	1	UR FOR RSH
	B6H-F171L-00-PD	MOLE, SIDE COVER 1	1	UR FOR DBMC
30	97702-50016	SCREW, TAPPING	3	
31	B6H-F171M-00-PA	MOLE, SIDE COVER 2	1	UR FOR RSH
	B6H-F171M-00-PD	MOLE, SIDE COVER 2	1	UR FOR DBMC
32	97702-50016	SCREW, TAPPING	3	
33	B6H-F8385-01	COVER, LOWER	1	
34	90269-06816	RIVET	8	
35	B6H-F7483-00	MAT 1	1	
36	B6H-F7484-00	MAT 2	1	
37	B6H-F7493-00	MAT 3	1	
38	B6H-F7494-00	MAT 4	1	
39	B6H-F7430-10	REAR FOOTREST ASSY 1	1	
40	B6H-F741L-10	.BRACKET 4	1	
41	2DP-F7431-01	.FOOTREST, REAR 1	1	
42	91402-20012	.PIN, COTTER	1	
43	91702-06038	.PIN, CLEVIS	1	
44	90501-12743	.SPRING, COMPRESSION	1	
45	93501-04830	.BALL	1	
46	90387-064H8	.COLLAR	1	
47	2DP-F7437-01	.WASHER, SPECIAL	1	
48	95E32-08020	BOLT, FLANGE DEEP RECESS	2	
49	B6H-F7440-10	REAR FOOTREST ASSY 2	1	
50	B6H-F742L-10	.BRACKET 5	1	
51	2DP-F7441-01	.FOOTREST, REAR 2	1	

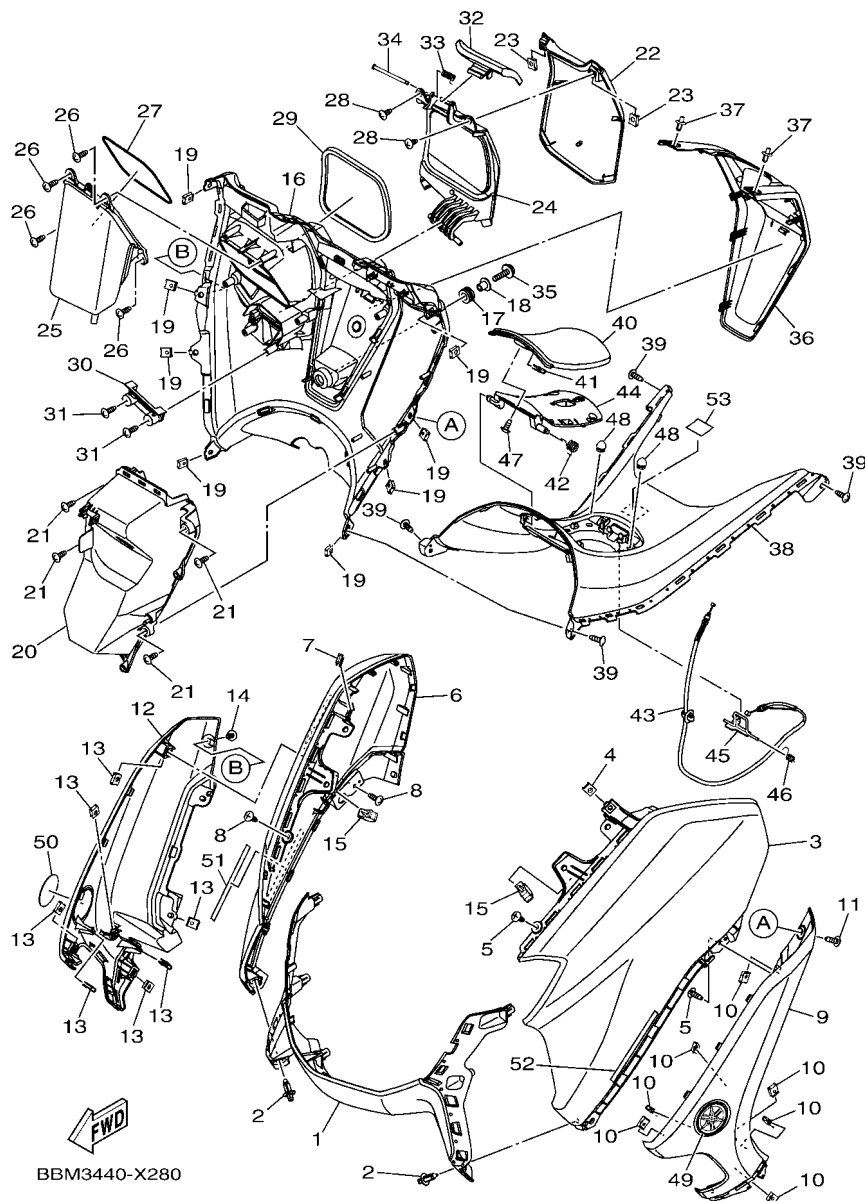
**FIG. 27 STAND & FOOTREST**



BBE1261-W270

REF. NO.	PART NO.	DESCRIPTION	BBMS				REMARKS
52	91402-20012	.PIN, COTTER	1				
53	91702-06038	.PIN, CLEVIS	1				
54	90501-12743	.SPRING, COMPRESSION	1				
55	93501-04830	.BALL	1				
56	90387-064H8	.COLLAR	1				
57	2DP-F7437-01	.WASHER, SPECIAL	1				
58	95E32-08020	BOLT, FLANGE DEEP RECESS	2				
<hr/>							
<hr/>							
<hr/>							
<hr/>							
<hr/>							
<hr/>							
<hr/>							
<hr/>							
<hr/>							
<hr/>							
<hr/>							
<hr/>							
<hr/>							
<hr/>							
<hr/>							
<hr/>							

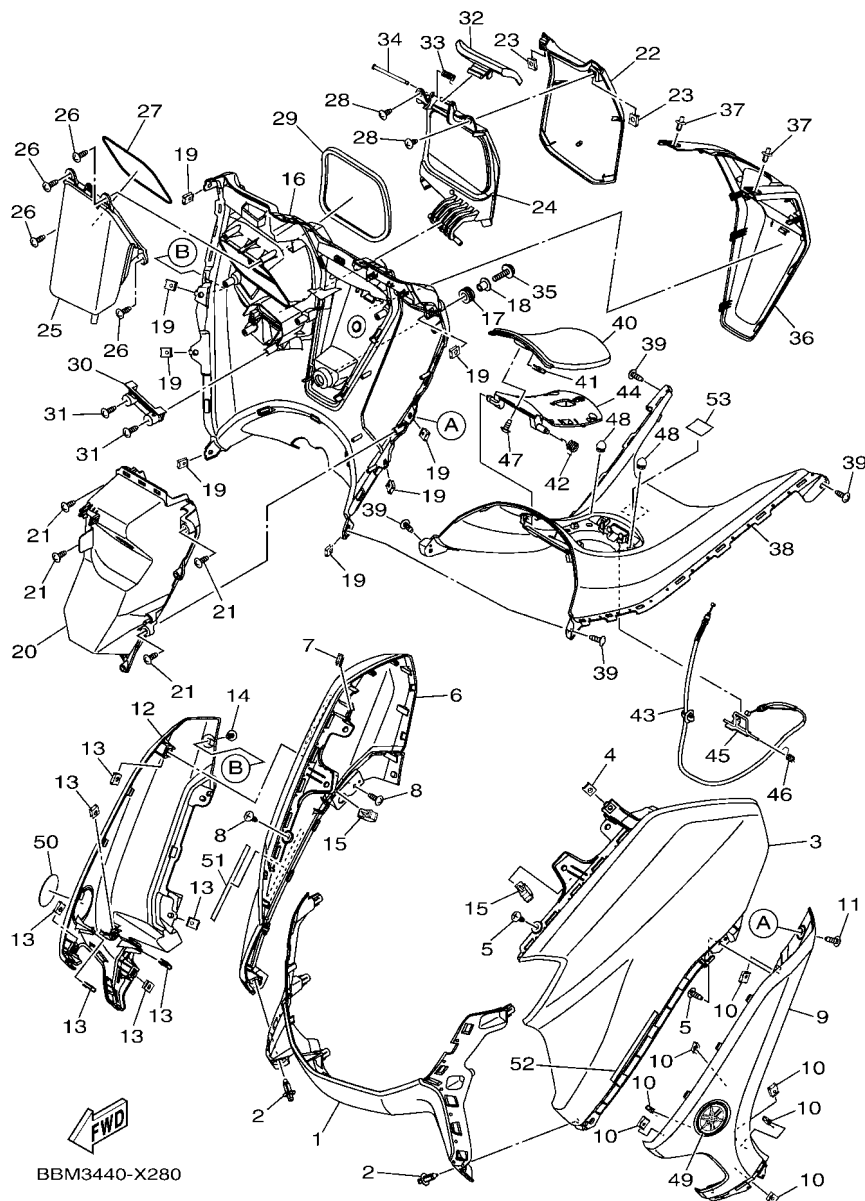
**FIG. 28 LEG SHIELD**



BBM3440-X280

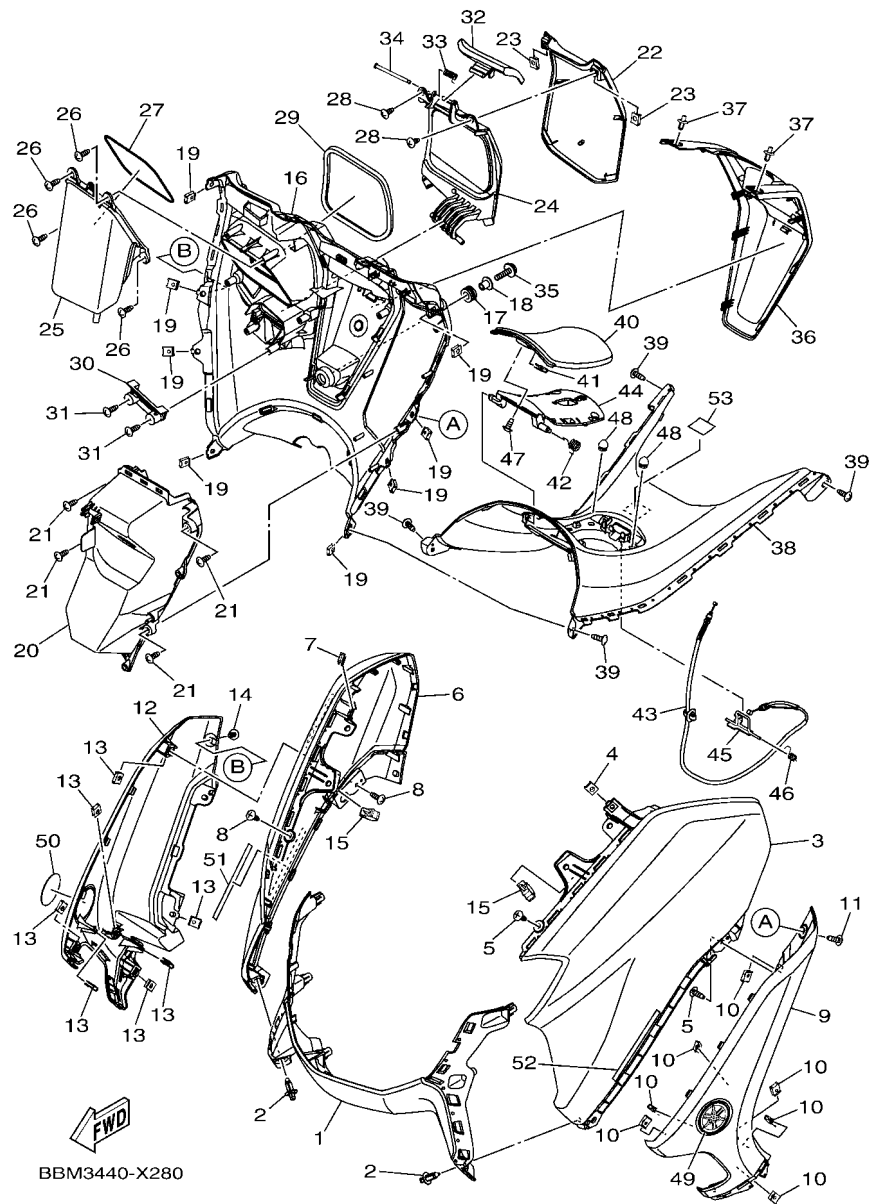
REF. NO.	PART NO.	DESCRIPTION	BBM5	REMARKS
1	B6H-F286F-00-PA	COVER, FRONT 2	1	UR FOR RSH
	B6H-F286F-00-PD	COVER, FRONT 2	1	UR FOR DBMC
2	90269-06816	RIVET	2	
3	B6H-F8351-00-PA	BODY, COWLING	1	UR FOR RSH
	B6H-F8351-00-PD	BODY, COWLING	1	UR FOR DBMC
4	90183-05807	NUT, SPRING	1	
5	97702-50016	SCREW, TAPPING	2	
6	B6H-F8377-00-PA	BODY, COWLING 2	1	UR FOR RSH
	B6H-F8377-00-PD	BODY, COWLING 2	1	UR FOR DBMC
7	90183-05807	NUT, SPRING	1	
8	97702-50016	SCREW, TAPPING	2	
9	B6H-F835U-00	PANEL 1	1	
10	90183-05807	NUT, SPRING	7	
11	90160-05009	SCREW, ROUND TAPPING	1	
12	B6H-F835V-00	PANEL 2	1	
13	90183-05807	NUT, SPRING	7	
14	90160-05009	SCREW, ROUND TAPPING	1	
15	90464-16808	CLAMP	2	
16	B6H-F8311-00	LEG SHIELD 1	1	
17	90480-14825	GROMMET	1	
18	90387-07391	COLLAR	1	
19	90183-05807	NUT, SPRING	8	
20	B6H-F836K-00	PANEL, INNER 1	1	
21	97702-50016	SCREW, TAPPING	4	
22	B6H-F177E-00	LID	1	
23	90183-05807	NUT, SPRING	2	
24	B6H-F8321-00	STAY 1	1	

**FIG. 28 LEG SHIELD**



REF. NO.	PART NO.	DESCRIPTION	BBM5	REMARKS
25	B6H-F838K-01	BOX 1	1	
26	97702-50016	SCREW,TAPPING	4	
27	B6H-F838M-00	SEAL, BOX 1	1	
28	97707-50012	SCREW, TRUSS HEAD TAPPING	2	
29	90520-06817	DAMPER, PLATE	1	
30	B6H-F1796-01	HINGE	1	
31	97702-50016	SCREW,TAPPING	2	
32	B6H-F836X-00	KNOB, 1	1	
33	90508-12800	SPRING, TORSION	1	
34	90249-03017	PIN	1	
35	95D32-06025	BOLT, FLANGE DEEP RECESS	1	
36	B6H-F8312-00-P1	LEG SHIELD 2	1	MNM3 FOR RSH,DBMC
37	90269-06816	RIVET	2	
38	B6H-F842M-00	COVER 1	1	
39	97702-50016	SCREW,TAPPING	4	
40	B6H-F74A8-00	LID, FUEL	1	
41	90183-05807	NUT, SPRING	1	
42	B6H-F7426-00	SPRING, RETURN	1	
43	B6H-F4494-10	WIRE, PULL	1	
44	B6H-F839K-01	LID 1	1	
45	B6H-F131C-00	BAR LOCK	1	
46	B6H-F7456-00	SPRING, RETURN	1	
47	97707-50012	SCREW, TRUSS HEAD TAPPING	1	
48	90338-07018	PLUG	2	
49	2DP-F413B-00	EMBLEM	1	
50	2DP-F413B-00	EMBLEM	1	
51	B6H-F8315-A1	EMBLEM	1	UR FOR RSH

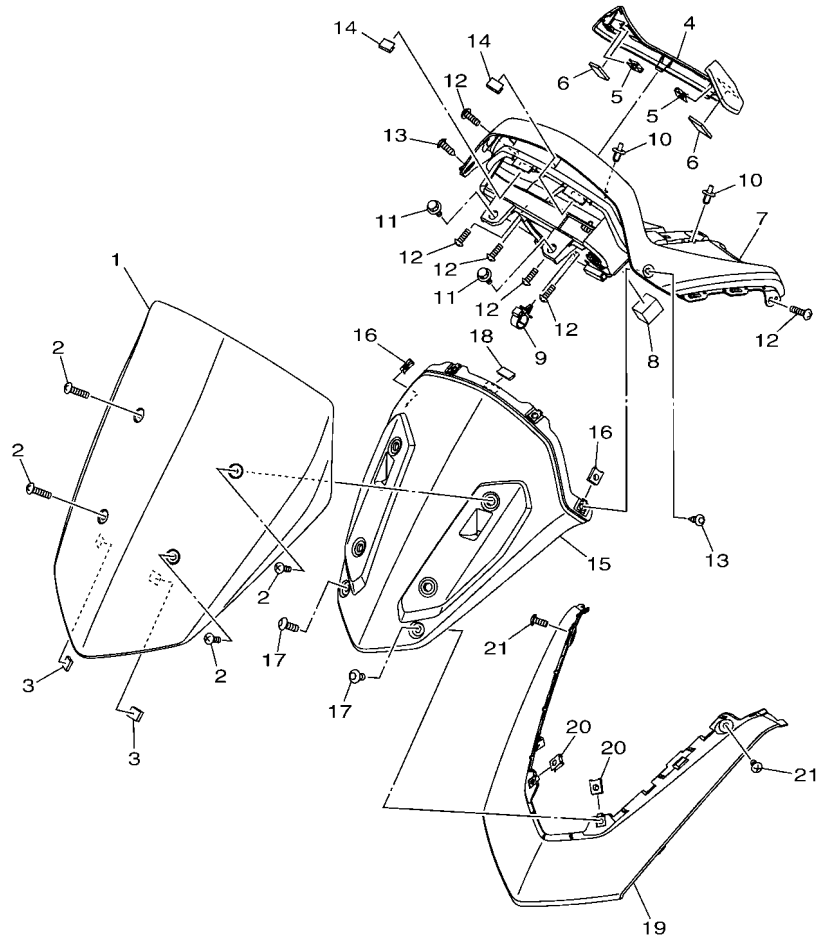
**FIG. 28 LEG SHIELD**



BBM3440-X280

REF. NO.	PART NO.	DESCRIPTION	BBM5	REMARKS
51	B6H-F8315-B0	EMBLEM	1	UR FOR DBMC
52	B6H-F8328-A1	EMBLEM	1	UR FOR RSH
	B6H-F8328-B0	EMBLEM	1	UR FOR DBMC
53	BBM-F1568-00	LABEL, WARNING	1	
-----				
-----				
-----				
-----				
-----				
-----				
-----				
-----				
-----				
-----				

FIG. 29 WINDSHIELD

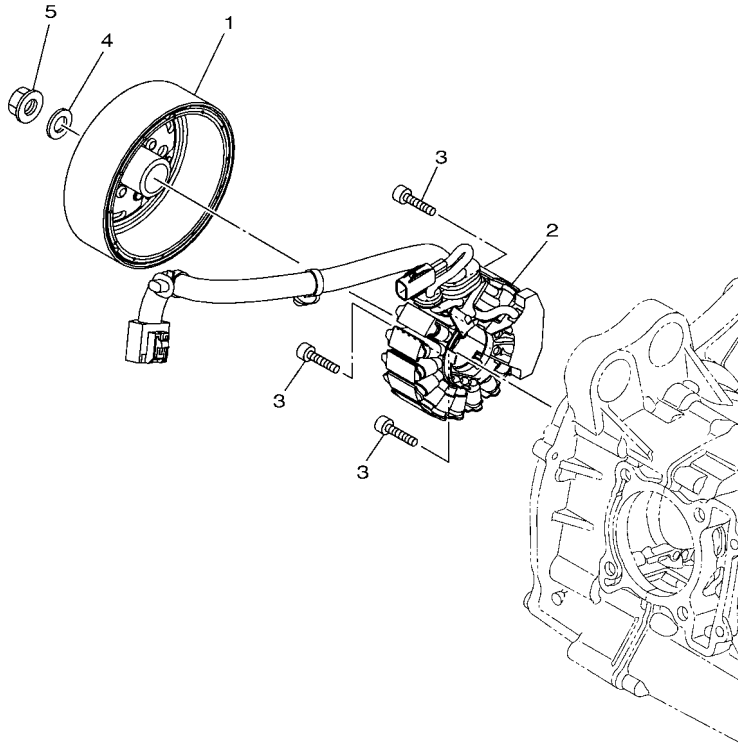


BBM1440-V290

REF. NO.	PART NO.	DESCRIPTION	BBM5				REMARKS
1	B1T-F61AA-00	VISOR	1				
2	90150-05008	SCREW, ROUND HEAD	4				
3	90520-02849	DAMPER, PLATE	2				
4	B6H-H3559-00-P1	COVER, METER	1				MNM3 FOR RSH,DBMC
5	90183-05807	NUT, SPRING	2				
6	90520-02850	DAMPER, PLATE	2				
7	B6H-F837L-00	PANEL, CONSOLE 1	1				
8	90520-20800	DAMPER, PLATE	1				
9	90464-16808	CLAMP	1				
10	90269-06816	RIVET	2				
11	90109-068B2	BOLT	2				
12	97702-50016	SCREW,TAPPING	6				
13	90160-05009	SCREW, ROUND TAPPING	2				
14	B6H-F8428-10	SEAL 1	2				
15	B6H-F837M-00	PANEL, CONSOLE 2	1				
16	90183-05807	NUT, SPRING	2				
17	90160-05009	SCREW, ROUND TAPPING	2				
18	B6H-F8428-00	SEAL 1	1				
19	B6H-F2865-00-PA	COVER, FRONT	1				UR FOR RSH
	B6H-F2865-00-PD	COVER, FRONT	1				UR FOR DBMC
20	90183-05807	NUT, SPRING	2				
21	97702-50016	SCREW,TAPPING	2				

FIG. 30 GENERATOR

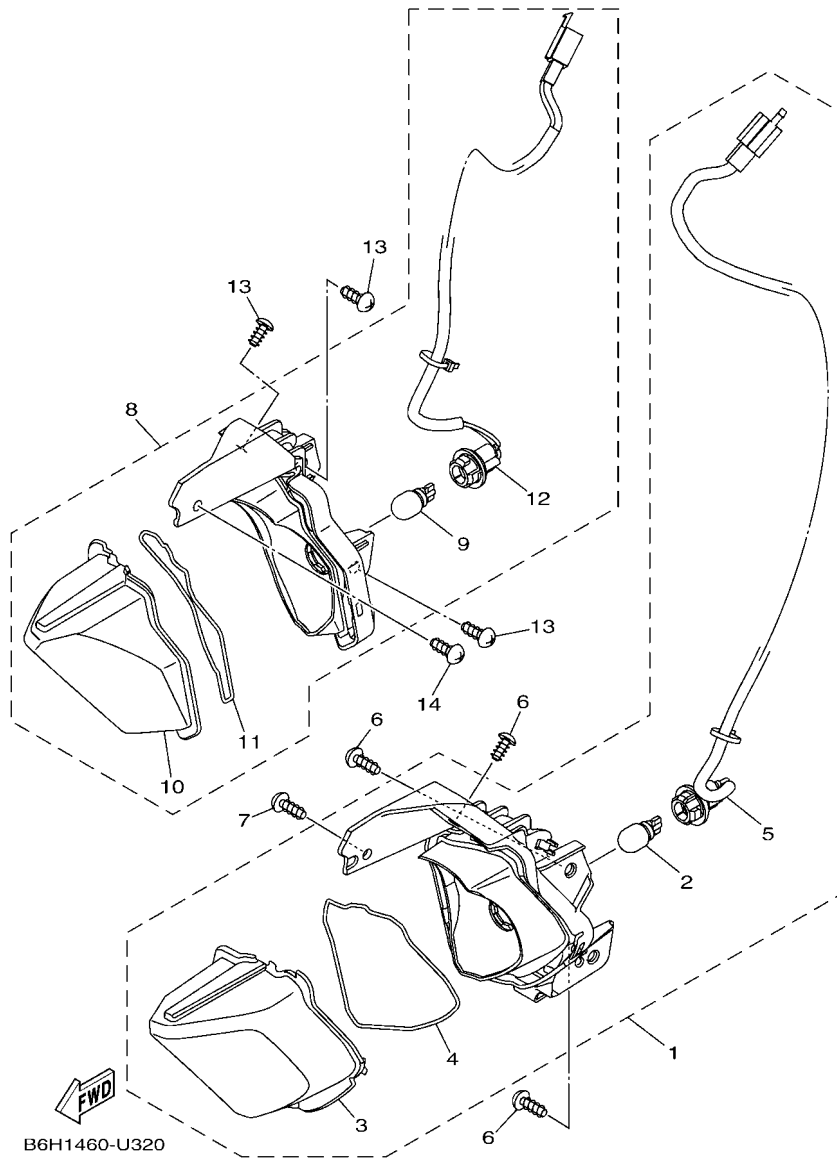
REF. NO.	PART NO.	DESCRIPTION	BBM5				REMARKS
1	B6H-H1450-00	ROTOR ASSY	1				
2	B6H-H1410-00	STATOR ASSY	1				
3	90110-06880	BOLT, HEXAGON SOCKET HEAD	3				
4	90201-12688	WASHER, PLATE	1				
5	90179-12004	NUT	1				



B6H1460-U310

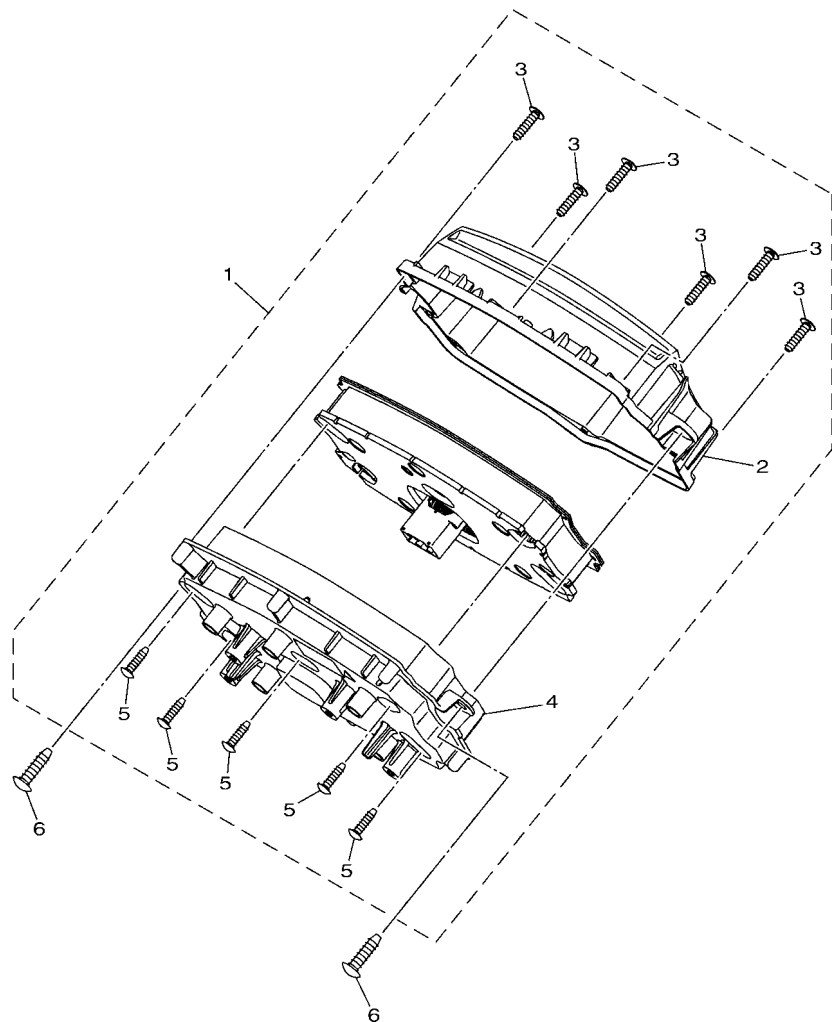


**FIG. 31 FLASHER LIGHT**



REF. NO.	PART NO.	DESCRIPTION	BBMS				REMARKS
1	B6H-H3310-01	FRONT FLASHER LIGHT ASSY 1	1				
2	2CB-H3311-00	.BULB, FLASHER (12V-10W)	1				
3	B6H-H3312-00	.LENS, FLASHER	1				
4	B6H-H4723-00	.GASKET, TAIL LENS	1				
5	B6H-H4140-01	.SOCKET CORD ASSY	1				
6	97702-50014	SCREW, TAPPING	3				
7	97707-50016	SCREW, TRUSS HEAD TAPPING	1				
8	B6H-H3320-01	FRONT FLASHER LIGHT ASSY 2	1				
9	2CB-H3311-00	.BULB, FLASHER (12V-10W)	1				
10	B6H-H3322-00	.LENS, FLASHER 2	1				
11	B6H-H4723-00	.GASKET, TAIL LENS	1				
12	B6H-H4150-01	.SOCKET CORD ASSY 2	1				
13	97702-50014	SCREW, TAPPING	3				
14	97707-50016	SCREW, TRUSS HEAD TAPPING	1				

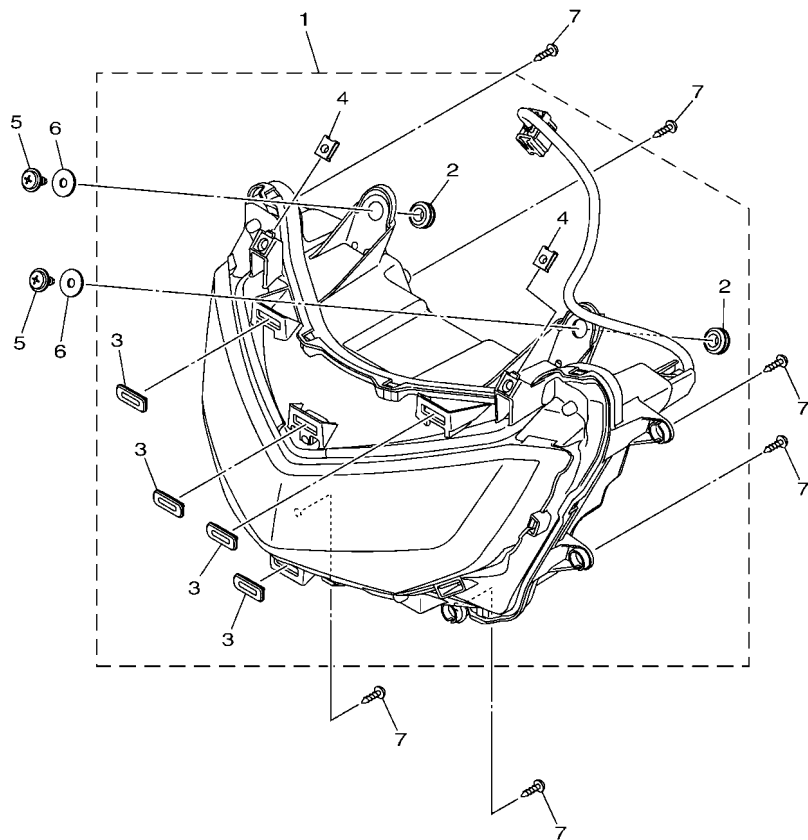
**FIG. 32 METER**



B6H1460-V330

REF. NO.	PART NO.	DESCRIPTION	BBM5	REMARKS
1	B6H-H3510-52	SPEEDOMETER ASSY	1	
2	B6H-H3511-01	.LENS, SPEEDOMETER	1	
3	97707-30014	.SCREW, TAPPING	6	
4	B6H-H3572-01	.CASE, SPEEDOMETER LOWER	1	
5	97702-30016	.SCREW, TAPPING	5	
6	97702-50016	SCREW, TAPPING	2	

**FIG. 33 HEADLIGHT**



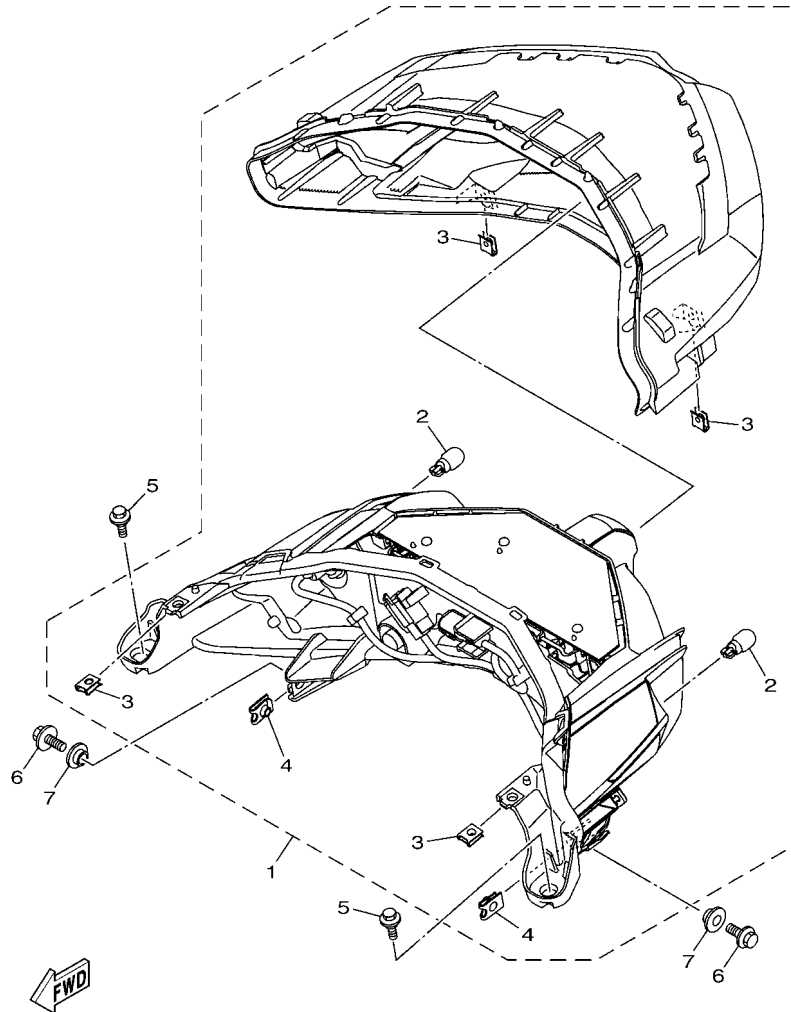
REF. NO.	PART NO.	DESCRIPTION	BBMS				REMARKS
1	B6H-H4300-10	HEADLIGHT ASSY	1				
2	90480-13018	.GROMMET	2				
3	50C-F6326-00	.GROMMET	4				
4	90183-05807	.NUT, SPRING	2				
5	90159-06817	SCREW, WITH WASHER	2				
6	90201-06828	WASHER, PLATE	2				
7	97702-50016	SCREW, TAPPING	6				



B6H1460-U340

**FIG. 34 TAILLIGHT**

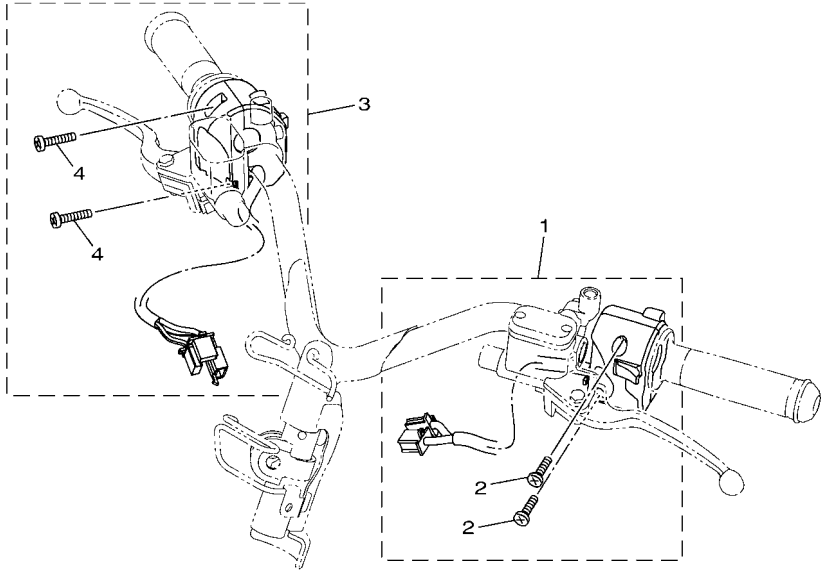
REF. NO.	PART NO.	DESCRIPTION	BBMS	REMARKS
1	B6H-H4710-00	TAILLIGHT UNIT ASSY	1	
2	2CB-H3311-00	.BULB, FLASHER (12V-10W)	2	
3	90183-05807	.NUT, SPRING	4	
4	90183-06818	.NUT, SPRING	2	
5	90109-068B2	BOLT	2	
6	95822-06016	BOLT, FLANGE	2	
7	90387-068T3	COLLAR	2	



B6H4450-V350

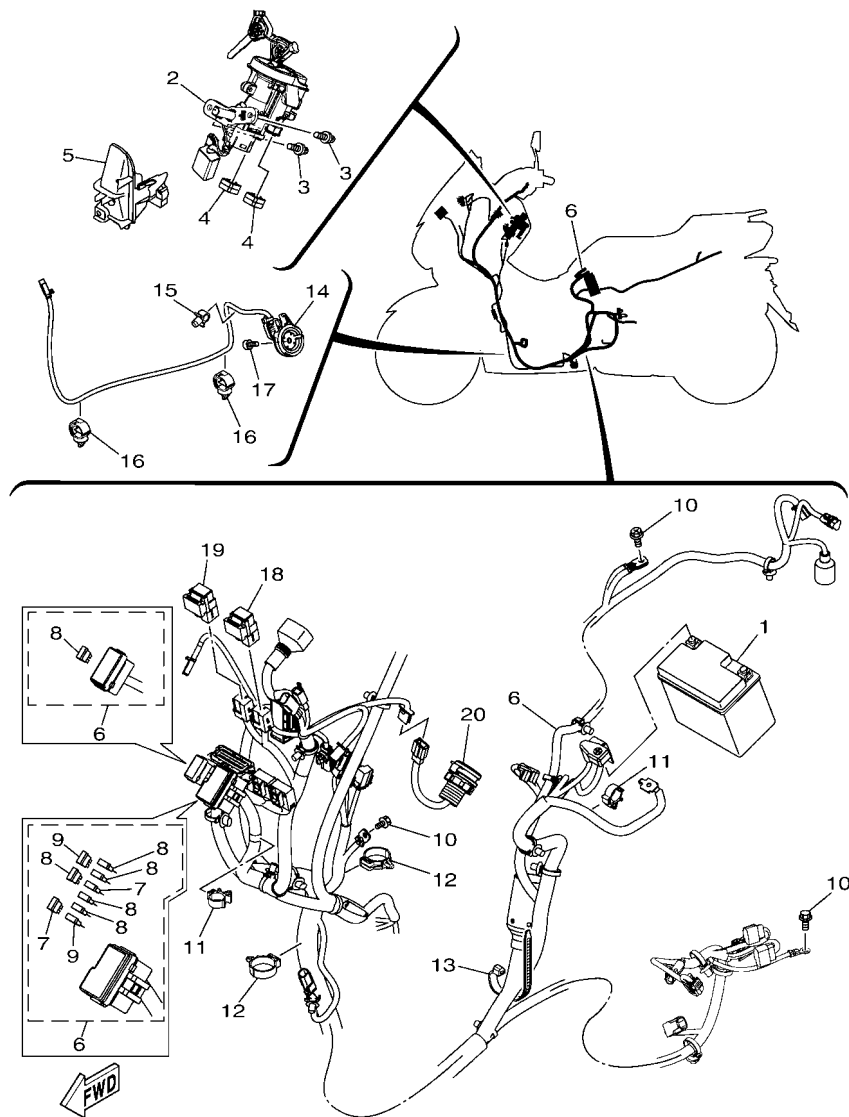
**FIG. 35 HANDLE SWITCH & LEVER**

REF. NO.	PART NO.	DESCRIPTION	BBM5				REMARKS
1	B6H-H3972-00	SWITCH, HANDLE 4	1				
2	98507-05025	.SCREW, PAN HEAD	2				
3	B3F-H3973-01	SWITCH, HANDLE 3	1				
4	98507-05025	.SCREW, PAN HEAD	2				



**FWD**  
 B6H1460-U360

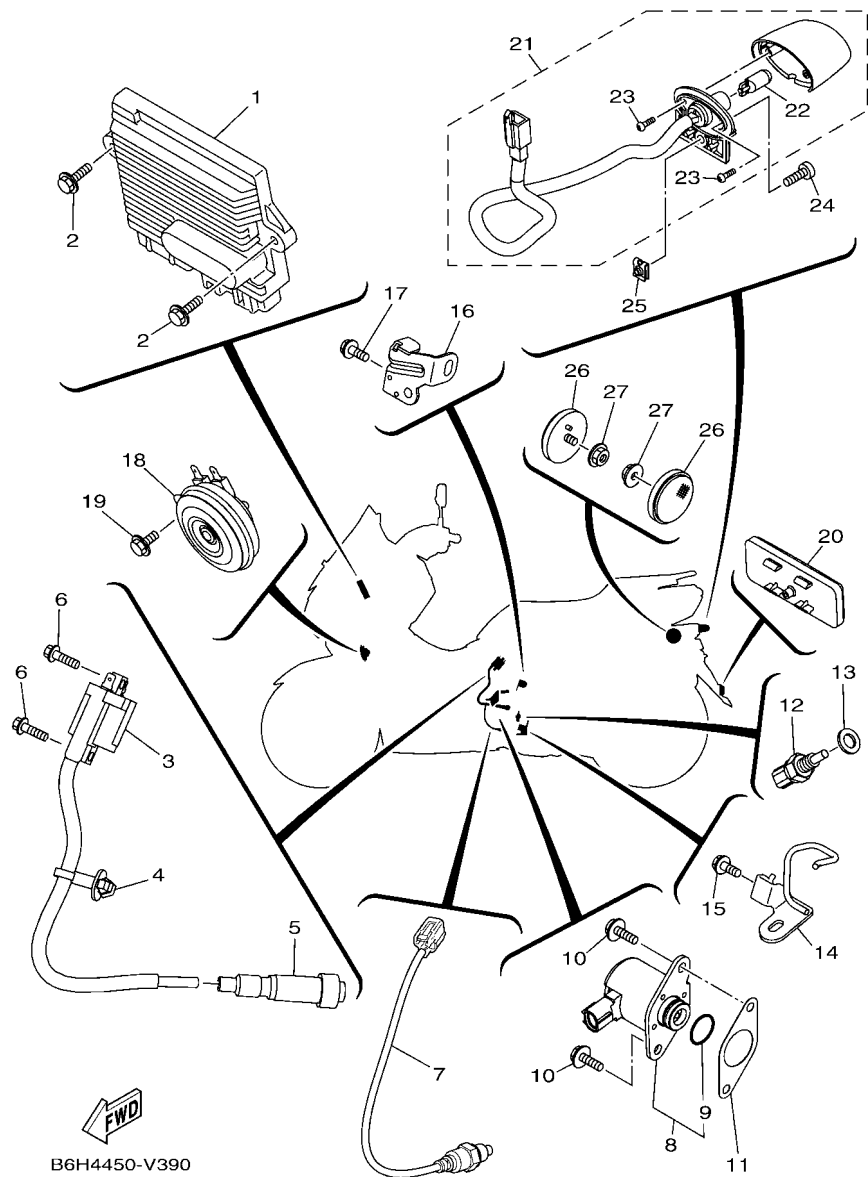
**FIG. 36 ELECTRICAL 1**



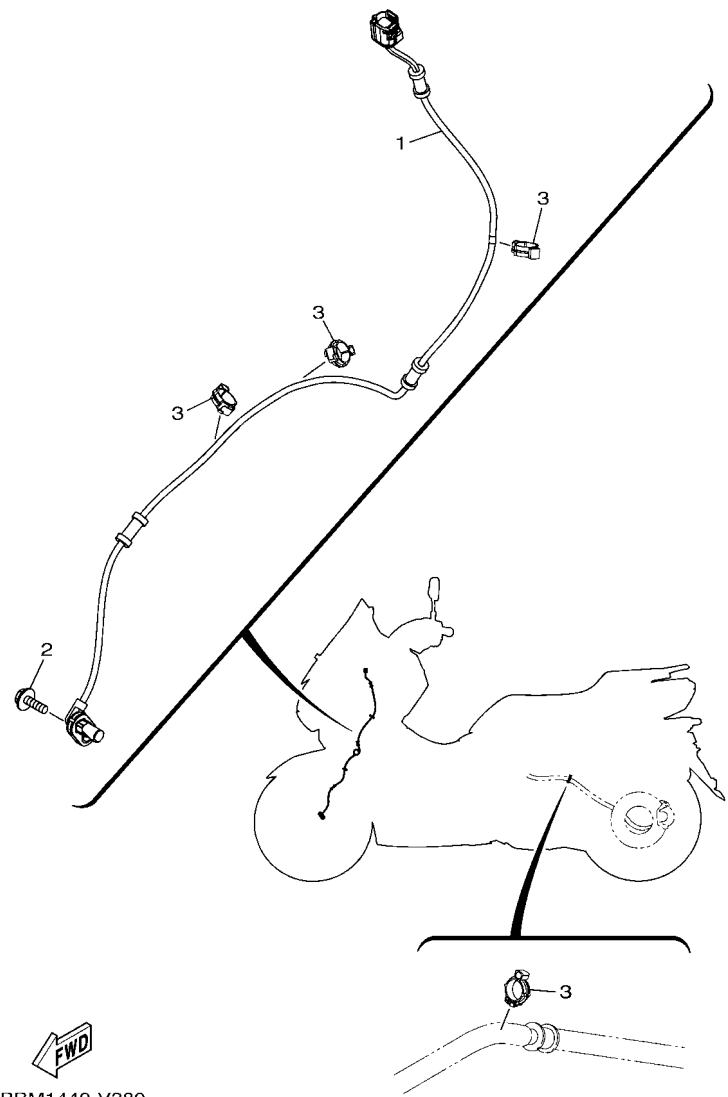
B6H1460-U380

REF. NO.	PART NO.	DESCRIPTION	BBMS	REMARKS
1	BBM-H2100-00	BATTERY ASSY (YUASA YTZ6V)	1	
2	B6H-H252E-01	MAIN SWITCH COMP.	1	
3	90109-068D5	BOLT	2	
4	90464-09806	CLAMP	2	
5	B6H-H2568-01	COVER, MAIN SWITCH	1	
6	B6H-H2590-30	WIRE HARNESS ASSY	1	
7	B65-H2151-60	.FUSE (30A)	2	
8	B65-H2151-00	.FUSE (7.5A)	6	
9	B65-H2151-90	.FUSE(5A)	2	
10	95E32-06012	BOLT, FLANGE DEEP RECESS	3	
11	90464-16808	CLAMP	2	
12	90464-30001	CLAMP	2	
13	90464-65801	CLAMP	1	
14	B8A-H2566-00	SWITCH, SIDE STAND	1	
15	90464-07805	CLAMP	1	
16	90464-13249	CLAMP	2	
17	90110-06881	BOLT, HEXAGON SOCKET HEAD	1	
18	BK6-H1950-00	RELAY ASSY	1	UR EITHER CAN USE
	2PH-H1940-11	STARTER RELAY ASSY	1	UR EITHER CAN USE
19	B3F-H1950-10	RELAY ASSY	1	UR EITHER CAN USE
	B63-H1950-10	RELAY ASSY	1	UR EITHER CAN USE
20	B6H-H254B-00	TERMINAL COMP.	1	

FIG. 37 ELECTRICAL 2



REF. NO.	PART NO.	DESCRIPTION	BBMS	REMARKS
1	BBM-H594A-01	STARTER GEN. CONT. UNIT ASSY	1	
2	95D32-06020	BOLT, FLANGE DEEP RECESS	2	
3	B6H-H2310-01	IGNITION COIL ASSY	1	
4	90464-14809	CLAMP	1	
5	BK6-H2370-00	PLUG CAP ASSY	1	
6	95E32-06020	BOLT, FLANGE DEEP RECESS	2	
7	2DP-H592A-20	SENSOR, OXYGEN	1	
8	BK6-H6110-10	SOLENOID	1	
9	BK6-H1847-00	.O-RING	1	
10	95D32-06016	BOLT, FLANGE DEEP RECESS	2	
11	2DP-H1861-00	GASKET	1	
12	52B-H3591-00	THERMO UNIT	1	
13	90430-10806	GASKET	1	
14	B6H-E5142-00	GUIDE 1	1	
15	95E37-06012	BOLT, FLANGE DEEP RECESS	1	
16	B6H-E5143-00	GUIDE 2	1	
17	95E37-06012	BOLT, FLANGE DEEP RECESS	1	
18	B6H-H3371-00	HORN	1	
19	95D02-06012	BOLT, FLANGE DEEP RECESS	1	
20	55D-H5130-00	REAR REFLECTOR ASSY	1	
21	B6H-H4740-00	LICENSE LIGHT ASSY	1	
22	2ND-H4744-00	.BULB (12V-5W)	1	
23	1CK-H4726-00	.SCREW	2	
24	98907-04014	SCREW, BIND	1	
25	90183-04039	NUT, SPRING	1	
26	2FC-H5111-00	REFLECTOR, 1	2	
27	95707-05500	NUT, FLANGE	2	



BBM1440-V380

FIG. 38 ELECTRICAL 3

REF. NO.	PART NO.	DESCRIPTION	BBM5				REMARKS
1	B6H-H5970-00	WHEEL SENSOR ASSY, FRONT	1				UR EITHER CAN USE
	B6H-H5970-10	WHEEL SENSOR ASSY, FRONT	1				UR EITHER CAN USE
2	95D32-06016	BOLT, FLANGE DEEP RECESS	1				
3	90464-14803	CLAMP	4				
<hr/>							
<hr/>							
<hr/>							
<hr/>							
<hr/>							
<hr/>							
<hr/>							
<hr/>							
<hr/>							
<hr/>							
<hr/>							
<hr/>							
<hr/>							
<hr/>							
<hr/>							
<hr/>							
<hr/>							
<hr/>							
<hr/>							
<hr/>							
<hr/>							
<hr/>							
<hr/>							







NUMERICAL INDEX

PART NO.	REF. NO.	PART NO.	REF. NO.	PART NO.	REF. NO.	PART NO.	REF. NO.	PART NO.	REF. NO.	PART NO.	REF. NO.
90269-06816	16 - 7	90464-14803	38 - 3	90520-04806	20 - 8	93450-16115	2 - 8	95E32-06012	26 - 40	97707-50012	28 - 47
	20 - 26	90464-14809	37 - 4	90520-06817	28 - 29	93501-04830	27 - 45		26 - 42	97707-50016	16 - 14
	25 - 23	90464-16006	17 - 13	90520-10851	11 - 18		27 - 55		36 - 10		31 - 7
	27 - 34	90464-16808	25 - 13	90520-10853	6 - 22	93900-00824	21 - 8	95E32-06014	3 - 19		31 - 14
	28 - 2		26 - 21	90520-10854	16 - 20		23 - 3	95E32-06020	4 - 13	97707-50025	8 - 26
	28 - 37		28 - 15	90520-10855	6 - 23	94111-13803	21 - 7		6 - 3	98502-05020	7 - 2
	29 - 10		29 - 9		11 - 23	94113-13809	23 - 2		6 - 26	98502-06012	8 - 14
90280-03017	2 - 5		36 - 11	90520-10856	11 - 16	94568-F9096	4 - 7		10 - 22	98507-05025	35 - 2
90338-07018	28 - 48	90464-24230	25 - 14	90520-15803	19 - 3	94700-00415	1 - 20		37 - 6		35 - 4
90340-12813	1 - 3	90464-30001	16 - 30	90520-15816	8 - 33	95027-06020	5 - 8	95E32-06025	5 - 12	98707-04012	26 - 6
90340-12816	10 - 10		19 - 15	90520-15817	16 - 23	95302-10600	17 - 18	95E32-06030	1 - 11		26 - 27
90380-10800	12 - 31		36 - 12	90520-20800	29 - 8	95332-08600	1 - 16		10 - 23	98907-04014	37 - 24
90387-064H8	27 - 46	90464-65801	36 - 13	90520-40800	11 - 21	95602-06100	26 - 9	95E32-06035	11 - 4	99002-09600	27 - 3
	27 - 56	90467-08003	16 - 32	90520-40801	11 - 17		26 - 30	95E32-06045	5 - 13	99009-08400	5 - 6
90387-068T3	34 - 7	90467-10008	10 - 31	90520-50801	11 - 19	95602-08200	14 - 17	95E32-06050	6 - 24	99009-25400	13 - 5
90387-07391	28 - 18	90467-11106	11 - 7	91312-05010	19 - 10	95602-10200	14 - 11	95E32-06060	10 - 7	99009-35700	12 - 32
90387-08821	14 - 15	90467-11825	8 - 36		25 - 12		14 - 13	95E32-06110	10 - 8	99480-03012	10 - 2
90387-08823	6 - 11		10 - 32	91312-05016	3 - 17		27 - 10	95E32-08020	27 - 48	99530-08012	1 - 12
90387-08847	20 - 30	90467-12052	8 - 37	91332-06025	8 - 3	95612-08618	1 - 6		27 - 58		5 - 10
90387-10277	21 - 9	90467-12809	8 - 29	91402-20012	27 - 42	95702-06500	20 - 6	95E32-08035	10 - 28	99530-10114	1 - 22
90387-10839	21 - 2	90467-19803	6 - 15		27 - 52	95702-08500	9 - 5	95E32-08045	10 - 27		1 - 23
90387-10857	14 - 8		6 - 16	91702-06038	27 - 43	95707-05500	37 - 27	95E37-06012	19 - 17		10 - 6
90387-10867	20 - 31	90467-20806	6 - 14		27 - 53	95812-10030	24 - 15		37 - 15		10 - 21
90387-17807	17 - 5	90468-08086	20 - 13	92017-05016	25 - 11	95822-06016	34 - 6		37 - 17		10 - 26
90387-17808	17 - 9	90468-18121	20 - 17	93102-08800	1 - 14	95D02-06012	18 - 51	97602-04312	26 - 13		11 - 3
90388-08803	10 - 5	90480-01559	16 - 4	93102-20815	13 - 11		18 - 53		26 - 34		
	17 - 2		16 - 8	93102-22829	10 - 9		26 - 36	97702-30016	32 - 5		
90388-10808	10 - 4		27 - 15	93102-24802	10 - 19		37 - 19	97702-50014	31 - 6		
90388-10818	14 - 7		27 - 22	93102-32807	13 - 8	95D32-06012	14 - 23		31 - 13		
90401-10812	26 - 15	90480-13018	33 - 2	93106-20816	21 - 3		17 - 12	97702-50016	15 - 10		
	26 - 19	90480-14808	16 - 27	93106-28801	17 - 3	95D32-06016	6 - 28		16 - 17		
90430-06803	1 - 5	90480-14825	28 - 17	93210-09806	4 - 2		37 - 10		27 - 18		
	1 - 28	90480-14833	6 - 12	93210-14816	10 - 17		38 - 2		27 - 25		
	5 - 9	90480-17802	14 - 21	93210-19809	5 - 14	95D32-06020	37 - 2		27 - 30		
90430-08804	10 - 13	90480-19802	20 - 32	93210-29800	7 - 6	95D32-06025	28 - 35		27 - 32		
90430-10806	37 - 13	90501-12743	27 - 44	93210-39803	5 - 11	95D32-06030	6 - 13		28 - 5		
90430-12803	10 - 11		27 - 54	93211-28800	10 - 20		8 - 11		28 - 8		
90450-43805	8 - 34	90501-16004	7 - 5	93300-608X0	5 - 7		8 - 32		28 - 21		
90464-07018	16 - 16	90506-20818	27 - 11	93306-001YG	4 - 3	95D32-08035	10 - 12		28 - 26		
90464-07805	16 - 33	90506-23815	20 - 15	93306-254Y5	13 - 10		20 - 28		28 - 31		
	26 - 17	90506-40806	27 - 5	93306-255YA	13 - 7	95D32-08050	14 - 19		28 - 39		
	26 - 38	90508-12800	28 - 33	93306-300YN	21 - 4	95D32-10045	9 - 6		29 - 12		
	36 - 15	90520-02014	25 - 20	93306-302YU	13 - 2	95D32-10060	9 - 7		29 - 21		
90464-07807	25 - 15	90520-02849	25 - 18	93306-303YW	13 - 6		17 - 10		32 - 6		
90464-08009	25 - 10		27 - 20	93306-303YX	17 - 4	95D37-06016	17 - 7		33 - 7		
90464-09806	36 - 4		27 - 27	93306-351Y8	13 - 12	95E32-06010	1 - 4	97707-30014	32 - 3		
90464-13249	36 - 16		29 - 3	93310-528YK	2 - 3		1 - 27	97707-50012	20 - 34		
90464-14002	19 - 18	90520-02850	29 - 6	933A6-202Y0	12 - 30	95E32-06012	20 - 23		28 - 28		