

# BSLight ULTRA

**LED FLOOD LIGHT (PF 0.95)**  
 \*\*\*<<<ULTRA SERIES>>>\*\*\*

**APPLICATION**

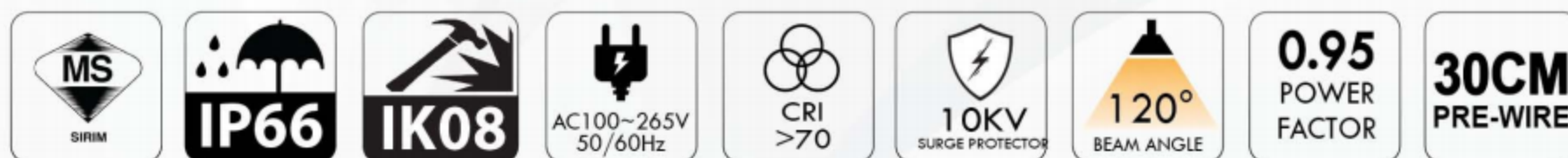
- Ideal for Parking Areas, Stadium, Gardens, Billboard, Pathway, Facade Lighting, and All Commercial or Residential Areas.

**FEATURES**

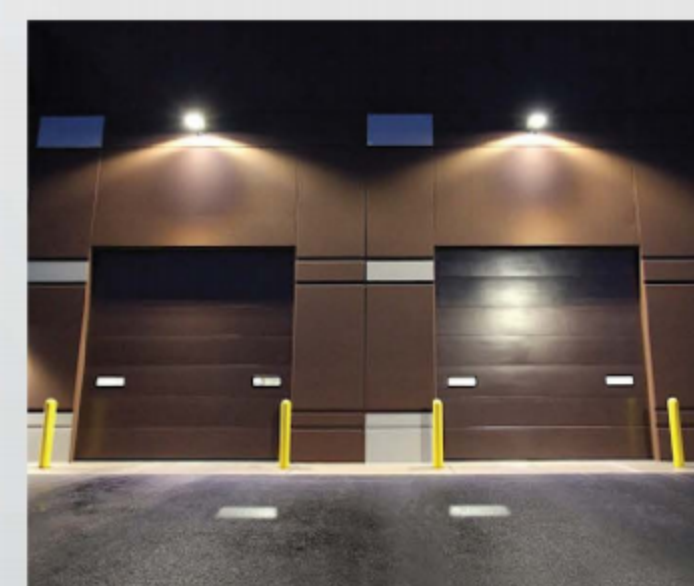
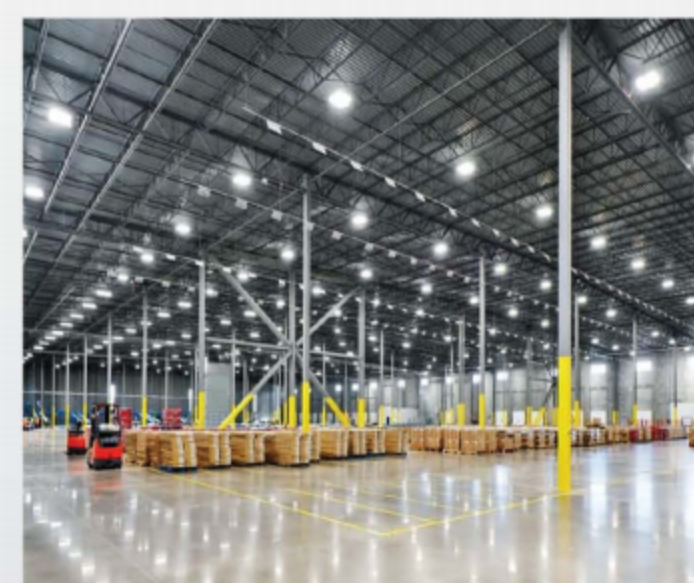
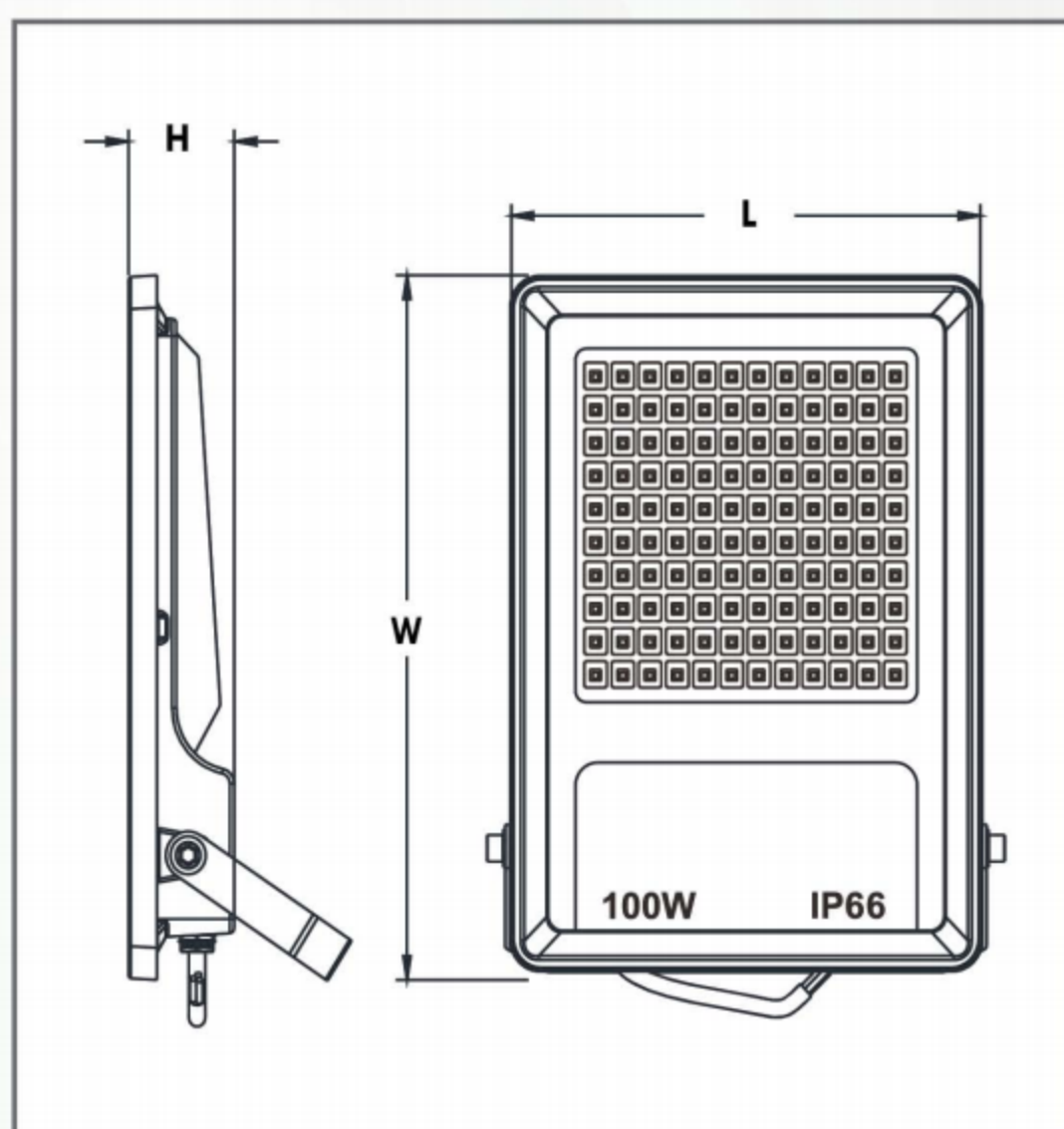
- High Brightness and Long Life LED Chips (30,000Hrs).
- Operating Temperature -20° C ~ 50° C.
- Solid Aluminium Die-Casting and Non-Corrosive Housing.
- Textured Glass Material Diffuser.
- Build-In With Pressure Release Valve.
- Heavy Duty and High Energy Efficiency Design.



**10 KV SURGE PROTECTION**



MODEL	POWER (W)	CCT (KT)	LUMEN (LM)	SIZE L x W x H (mm)	NET WEIGHT (kg)	PACKING
BSFL-8100-1	100W	6500	12000	214 x 290 x 47	1.7	10/CTN
BSFL-8150-1	150W	6500	18000	260 x 372 x 55	2.4	5/CTN
BSFL-8200-1	200W	6500	24000	267 x 372 x 55	3.2	5/CTN
BSFL-8300-1	300W	6500	36000	318 x 432 x 55	4.6	4/CTN



FLOOD LIGHT 3-2