

Flame Detectors

C7012 Solid State Purple Peeper® Ultraviolet Flame Detector (Self-Checking)



Solid state electronic flame detectors for use with Honeywell Flame Safeguard controls and amplifiers. Sense ultraviolet radiation produced by combustion of gas, oil, coal or other fuels.

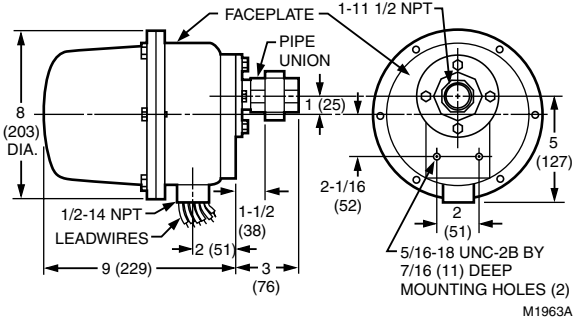
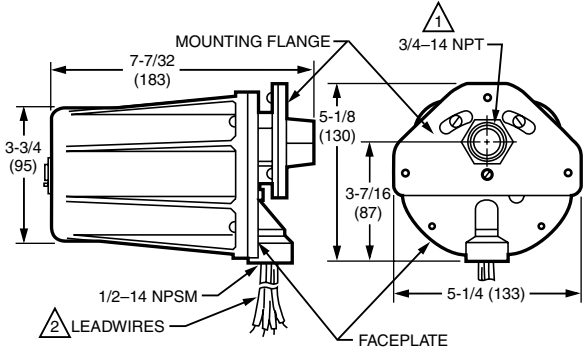
- Mount horizontally, vertically or at any angle in between.
- Provide quick electrical hookup with threaded conduit fitting and color-coded leadwires.

- Reduced nuisance shutdowns by wiring two in parallel.
- C7012E1278 5 pin Brad Harrison type (formally 41307N) mating connector not supplied nor available through Honeywell.
- C7012A, E meets NEMA 4 standards with viewing window rated to 20 psi.
- C7012C, F has an explosion-proof housing for use in hazardous atmospheres with a viewing window rated to 100 psi.

Type: Ultraviolet, Purple Peeper, Self-Checking
Application: Gas, Oil or Coal fired burners
Lead Length: 96 in. (2438 mm)
Power Consumption: 7.0 W
Approvals, CSA: Certified: Master Report LR95329-1
Approvals, Swiss RE: Acceptable
Approvals, Factory Mutual: Approved: Report No. 14740.01
Used With: Flame Amplifiers: R7247C, R7847C

Material Number	Frequency	Weight	NEMA Rating	Electrical Connections	Mounting	Electrical Ratings	Ambient Temperature Range	Approvals, Underwriters Laboratories Inc.	Approvals, Others	Includes
C7012E1104/U	50 Hz; 60 Hz	4.25 lb (1.9 kg)	NEMA 4	6 NEC Class 1 Color-coded lead wires.	3/4 in. NPT	120 Vac	-20°F to +175°F (-20°C to +79°C)	Listed: File No. MP268, Guide No. MCCZ		Cast case and cover
C7012E1112/U	50 Hz; 60 Hz	4.25 lb (1.9 kg)	NEMA 4	6 NEC Class 1 Color-coded lead wires.	1 in. NPT	120 Vac	-20°F to +175°F (-20°C to +79°C)	Listed: File No. MP268, Guide No. MCCZ		Cast case and cover
C7012E1120/U	50 Hz; 60 Hz	4.25 lb (1.9 kg)	NEMA 4	6 NEC Class 1 Color-coded lead wires.	1 in. NPT	120 Vac	-40°F to +175°F (-40°C to +79°C)	Listed: File No. MP268, Guide No. MCCZ		Cast case and cover
C7012E1146/U	50 Hz; 60 Hz	4.25 lb (1.9 kg)	NEMA 4	6 NEC Class 1 Color-coded lead wires.	3/4 in. NPT	208 Vac	-20°F to +175°F (-20°C to +79°C)	Listed: File No. MP268, Guide No. MCCZ		Cast case and cover, with Hot refractory tube
C7012E1153/U	50 Hz; 60 Hz	4.25 lb (1.9 kg)	NEMA 4	6 NEC Class 1 Color-coded lead wires.	3/4 in. NPT	240 Vac	-20°F to +175°F (-20°C to +79°C)	Listed: File No. MP268, Guide No. MCCZ		Cast case and cover
C7012E1187/U	50 Hz	4.25 lb (1.9 kg)	NEMA 4	6 NEC Class 1 Color-coded lead wires.	3/4 in. NPT	220 Vac	-20°F to +175°F (-20°C to +79°C)	Listed: File No. MP268, Guide No. MCCZ	DIN (Europe)	Cast case and cover
C7012E1195/U	50 Hz	4.25 lb (1.9 kg)	NEMA 4	6 NEC Class 1 Color-coded lead wires.	3/4 in. NPT	110 Vac	-20°F to +175°F (-20°C to +79°C)	Listed: File No. MP268, Guide No. MCCZ	BGC (Europe)	Cast case and cover
C7012E1203/U	50 Hz; 60 Hz	4.25 lb (1.9 kg)	NEMA 4	6 NEC Class 1 Color-coded lead wires.	3/4 in. NPT	240 Vac	-20°F to +175°F (-20°C to +79°C)	Listed: File No. MP268, Guide No. MCCZ	BGC (Europe)	Cast case and cover
C7012E1278/U	50 Hz; 60 Hz	4.25 lb (1.9 kg)	NEMA 4	Brad Harrison type number 41310 connector	1 in. NPT	120 Vac	-20°F to +175°F (-20°C to +79°C)	Listed: File No. MP268, Guide No. MCCZ		Cast case and cover
C7012F1052/U	50 Hz; 60 Hz	14.5 lb (6.6 kg)	Explosion Proof	6 NEC Class 1 Color-coded lead wires.	1 in. NPT	120 Vac	-20°F to +175°F (-20°C to +79°C)	Listed: File No. E34649, Guide No. ZTSZ		Explosion-proof, two piece, violet, cast aluminum enclosure

Dimensions in inches (millimeters)



① C7061A1046, C7061A1053: INCH NPT
 ② C7061A1038 AND C7061A1046: TYPE CONNECTOR.

M10167D

M1963A