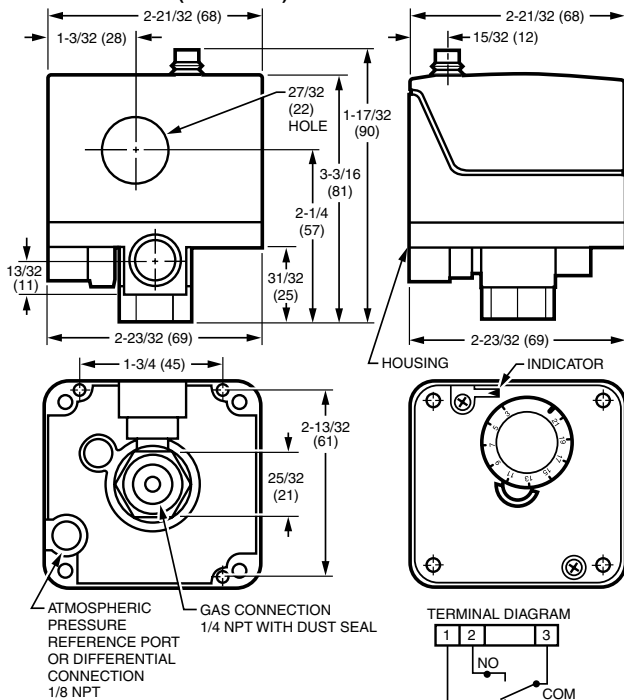


Pressure Switches

C6097 Pressure Switch



Dimensions in inches (millimeters)



Pressure Switches are safety devices used in positive-pressure or differential-pressure systems to sense gas or air pressure systems.

- For use with natural gas, liquid propane (LP) gas, or air.
- Diaphragm-actuated safety-limit switch.
- Switch can be wired to turn on alarm.
- C6097A models break control circuit at setpoint on pressure fall.
- C6097B models break control circuit at setpoint on pressure rise.
- Lockout with manual reset and recycle options.
- Lockout models have external manual reset button.
- Removable transparent cover protects scaleplate and adjusting knob.
- Pipe tapings allow selection of positive pressure (air only) or venting connections (NPT mount only).
- 1/4 in. NPT or flange mount models for direct mounting to Honeywell Integrated Valve Train.
- Optional switch position indicator lamp available.
- IP54 enclosure standard.
- Ranges: 0.4 to 5 in. wc, 3 to 21 in. wc, 12 to 60 in. wc or 1.5 to 7 psi.
- Surge orifice.
- Integral vent limiter on all models.

Application: Safety devices used in positive-pressure or differential-pressure systems to sense gas or air pressure changes

Operating Temperature Range: -40°F to +140°F (-40°C to +60°C)

Electrical Connections: Screw terminals

Electrical Ratings: Ignition Transformer: 540 VA, Pilot Valve: 50 VA. Main Valve: 400 VA with 2-1/2 times inrush

Contact Ratings: 120 Vac Switch Contact – 3.0 AFL, 18.0 ALR, 5.0 A resistive; 240 Vac Switch Contact – 3.0 AFL, 18.0 ALR, 5.0 A resistive

Approvals, Underwriters Laboratories Inc.: Component Listed, MP 2168-8-1

Approvals, CSA: File # 95329 Certificate 2632-01

Approvals, Factory Mutual: JI 2D4A1.AF

Approvals, Swiss RE: Acceptable

Approvals, Others: CSD-1 AFB: Acceptable

Material Number	Operating Range (psi)	Operating Range (kPa)	Differential Pressure Range (psi)	Differential Pressure Range (kPa)	Differential Type	Switch Operation	Switching Action	Approximate, Dimensions	Pipe Connection	Mounting
C6097A1004/U	0.4 to 5 in. wc	0.10 to 1.25 kPa	0.16 in. wc Nominal; 0.24 in. wc Maximum	0.04 kPa Nominal; 0.06 kPa Maximum	Additive	Auto recycle	Break on pressure fall	3 3/16 in. high x 2 23/32 in. wide x 2 23/32 in. deep (81 mm high x 69 mm wide x 69 mm deep)	Vent or Low pressure – 1/8 in. NPT internal thread	1/4 in. NPT internal thread
C6097A1012/U	3 to 21 in. wc	0.7 to 5.2 kPa	max. 2.4 in. wc @ min. setpoint; max. 4.2 in. wc @ max. setpoint	max. 0.60 kPa @ min. setpoint; max. 1.05 kPa @ max. setpoint	Additive	Manual Reset	Break on pressure fall	3 17/32 in. high x 2 23/32 in. wide x 2 23/32 in. deep (90 mm high x 69 mm wide x 69 mm deep)	Vent or Low pressure – 1/8 in. NPT internal thread	1/4 in. NPT internal thread
C6097A1020/U	3 to 21 in. wc	0.7 to 5.2 kPa	max. 2.4 in. wc @ min. setpoint; max. 4.2 in. wc @ max. setpoint	max. 0.60 kPa @ min. setpoint; max. 1.05 kPa @ max. setpoint	Additive	Manual Reset	Break on pressure fall	2 19/32 in. high x 2 23/32 in. wide x 2 23/32 in. deep (66 mm high x 69 mm wide x 69 mm deep)		Flange Mount
C6097A1038/U	12 to 60 in. wc	3.0 to 15 kPa	max. 10 in. wc @ min. setpoint; max. 12 in. wc @ max. setpoint	max. 2.5 kPa @ min. setpoint; max. 3.0 kPa @ max. setpoint	Additive	Manual Reset	Break on pressure fall	3 17/32 in. high x 2 23/32 in. wide x 2 23/32 in. deep (90 mm high x 69 mm wide x 69 mm deep)	Vent or Low pressure – 1/8 in. NPT internal thread	1/4 in. NPT internal thread

Pressure Switches

Material Number	Operating Range (psi)	Operating Range (kPa)	Differential Pressure Range (psi)	Differential Pressure Range (kPa)	Differential Type	Switch Operation	Switching Action	Approximate, Dimensions	Pipe Connection	Mounting
C6097A1046/U	12 to 60 in. wc	3.0 to 15 kPa	max. 10 in. wc @ min. setpoint; max. 12 in. wc @ max. setpoint	max. 2.5 kPa @ min. setpoint; max. 3.0 kPa @ max. setpoint	Additive	Manual Reset	Break on pressure fall	2 19/32 in. high x 2 23/32 in. wide x 2 23/32 in. deep (66 mm high x 69 mm wide x 69 mm deep)		Flange Mount
C6097A1053/U	3 to 21 in. wc	0.7 to 5.2 kPa	0.24 in. wc Nominal; 0.48 in. wc Maximum	0.06 kPa Nominal; 0.12 kPa Maximum	Additive	Auto recycle	Break on pressure fall	3 3/16 in. high x 2 23/32 in. wide x 2 23/32 in. deep (81 mm high x 69 mm wide x 69 mm deep)	Vent or Low pressure – 1/8 in. NPT internal thread	1/4 in. NPT internal thread
C6097A1061/U	3 to 21 in. wc	0.7 to 5.2 kPa	0.24 in. wc Nominal; 0.48 in. wc Maximum	0.06 kPa Nominal; 0.12 kPa Maximum	Additive	Auto recycle	Break on pressure fall	2 1/4 in. high x 2 23/32 in. wide x 2 23/32 in. deep (57 mm high x 69 mm wide x 69 mm deep)		Flange Mount
C6097A1079/U	12 to 60 in. wc	3.0 to 15 kPa	1.1 in. wc Nominal; 2.4 in. wc Maximum	0.27 kPa Nominal; 0.60 kPa Maximum	Additive	Auto recycle	Break on pressure fall	3 3/16 in. high x 2 23/32 in. wide x 2 23/32 in. deep (81 mm high x 69 mm wide x 69 mm deep)	Vent or Low pressure – 1/8 in. NPT internal thread	1/4 in. NPT internal thread
C6097A1087/U	12 to 60 in. wc	3.0 to 15 kPa	1.1 in. wc Nominal; 2.4 in. wc Maximum	0.27 kPa Nominal; 0.60 kPa Maximum	Additive	Auto recycle	Break on pressure fall	2 1/4 in. high x 2 23/32 in. wide x 2 23/32 in. deep (57 mm high x 69 mm wide x 69 mm deep)		Flange Mount
C6097A1095/U	0.4 to 5 in. wc	0.10 to 1.25 kPa	max. 0.6 in. wc @ min. setpoint; max. 0.25 in. wc @ max. setpoint	max. 0.15 kPa @ min. setpoint; max. 0.25 kPa @ max. setpoint	Additive	Manual Reset	Break on pressure fall	3 17/32 in. high x 2 23/32 in. wide x 2 23/32 in. deep (90 mm high x 69 mm wide x 69 mm deep)	Vent or Low pressure – 1/8 in. NPT internal thread	1/4 in. NPT internal thread
C6097A1103/U	1.5 to 7 psi	10.3 to 48 kPa	max. 1.1 psi @ min. setpoint; max. 1.4 psi @ max. setpoint	max. 7.6 kPa @ min. setpoint; max. 9.6 kPa @ max. setpoint	Additive	Manual Reset	Break on pressure fall	2 19/32 in. high x 2 23/32 in. wide x 2 23/32 in. deep (66 mm high x 69 mm wide x 69 mm deep)		Flange Mount
C6097A1111/U	1.5 to 7 psi	10.3 to 48 kPa	max. 1.1 psi @ min. setpoint; max. 1.4 psi @ max. setpoint	max. 7.6 kPa @ min. setpoint; max. 9.6 kPa @ max. setpoint	Additive	Manual Reset	Break on pressure fall	3 17/32 in. high x 2 23/32 in. wide x 2 23/32 in. deep (90 mm high x 69 mm wide x 69 mm deep)	Vent or Low pressure – 1/8 in. NPT internal thread	1/4 in. NPT internal thread
C6097A1129/U	1.5 to 7 psi	10.3 to 48 kPa	0.1 psi Nominal; 0.3 psi Maximum	0.69 kPa Nominal; 2.07 kPa Maximum	Additive	Auto recycle	Break on pressure fall	2 1/4 in. high x 2 23/32 in. wide x 2 23/32 in. deep (57 mm high x 69 mm wide x 69 mm deep)		Flange Mount
C6097A1137/U	1.5 to 7 psi	10.3 to 48 kPa	0.1 psi Nominal; 0.3 psi Maximum	0.69 kPa Nominal; 2.07 kPa Maximum	Additive	Auto recycle	Break on pressure fall	3 3/16 in. high x 2 23/32 in. wide x 2 23/32 in. deep (81 mm high x 69 mm wide x 69 mm deep)	Vent or Low pressure – 1/8 in. NPT internal thread	1/4 in. NPT internal thread
C6097A1210/U	0.4 to 5 in. wc	0.10 to 1.25 kPa	0.16 in. wc Nominal; 0.24 in. wc Maximum	0.04 kPa Nominal; 0.06 kPa Maximum	Additive	Auto recycle	Break on pressure fall	2 1/4 in. high x 2 23/32 in. wide x 2 23/32 in. deep (57 mm high x 69 mm wide x 69 mm deep)		Flange Mount
C6097A1228/U	0.4 to 5 in. wc	0.10 to 1.25 kPa	max. 0.6 in. wc @ min. setpoint; max. 0.25 in. wc @ max. setpoint	max. 0.15 kPa @ min. setpoint; max. 0.25 kPa @ max. setpoint	Additive	Manual Reset	Break on pressure fall	3 17/32 in. high x 2 23/32 in. wide x 2 23/32 in. deep (90 mm high x 69 mm wide x 69 mm deep)	Vent or Low pressure – 1/8 in. NPT internal thread	Flange Mount

Pressure Switches

Material Number	Operating Range (psi)	Operating Range (kPa)	Differential Pressure Range (psi)	Differential Pressure Range (kPa)	Differential Type	Switch Operation	Switching Action	Approximate, Dimensions	Pipe Connection	Mounting
C6097B1002/U	12 to 60 in. wc	3.0 to 15 kPa	max. 10 in. wc @ min. setpoint; max. 12 in. wc @ max. setpoint	max. 2.5 kPa @ min. setpoint; max. 3.0 kPa @ max. setpoint	Subtractive	Manual Reset	Break on pressure rise	3 17/32 in. high x 2 23/32 in. wide x 2 23/32 in. deep (90 mm high x 69 mm wide x 69 mm deep)	Vent or Low pressure – 1/8 in. NPT internal thread	1/4 in. NPT internal thread
C6097B1010/U	12 to 60 in. wc	3.0 to 15 kPa	max. 10 in. wc @ min. setpoint; max. 12 in. wc @ max. setpoint	max. 2.5 kPa @ min. setpoint; max. 3.0 kPa @ max. setpoint	Subtractive	Manual Reset	Break on pressure rise	2 19/32 in. high x 2 23/32 in. wide x 2 23/32 in. deep (66 mm high x 69 mm wide x 69 mm deep)		Flange Mount
C6097B1028/U	3 to 21 in. wc	0.7 to 5.2 kPa	max. 2.4 in. wc @ min. setpoint; max. 4.2 in. wc @ max. setpoint	max. 0.60 kPa @ min. setpoint; max. 1.05 kPa @ max. setpoint	Subtractive	Manual Reset	Break on pressure rise	3 17/32 in. high x 2 23/32 in. wide x 2 23/32 in. deep (90 mm high x 69 mm wide x 69 mm deep)	Vent or Low pressure – 1/8 in. NPT internal thread	1/4 in. NPT internal thread
C6097B1036/U	3 to 21 in. wc	0.7 to 5.2 kPa	max. 2.4 in. wc @ min. setpoint; max. 4.2 in. wc @ max. setpoint	max. 0.60 kPa @ min. setpoint; max. 1.05 kPa @ max. setpoint	Subtractive	Manual Reset	Break on pressure rise	2 19/32 in. high x 2 23/32 in. wide x 2 23/32 in. deep (66 mm high x 69 mm wide x 69 mm deep)		Flange Mount
C6097B1044/U	1.5 to 7 psi	10.3 to 48 kPa	max. 1.1 in. wc @ min. setpoint; max. 1.4 in. wc @ max. setpoint	max. 7.6 kPa @ min. setpoint; max. 9.6 kPa @ max. setpoint	Subtractive	Manual Reset	Break on pressure rise	2 19/32 in. high x 2 23/32 in. wide x 2 23/32 in. deep (66 mm high x 69 mm wide x 69 mm deep)		Flange Mount
C6097B1051/U	1.5 to 7 psi	10.3 to 48 kPa	max. 1.1 in. wc @ min. setpoint; max. 1.4 in. wc @ max. setpoint	max. 7.6 kPa @ min. setpoint; max. 9.6 kPa @ max. setpoint	Subtractive	Manual Reset	Break on pressure rise	3 3/16 in. high x 2 23/32 in. wide x 2 23/32 in. deep (81 mm high x 69 mm wide x 69 mm deep)	Vent or Low pressure – 1/8 in. NPT internal thread	1/4 in. NPT internal thread
C6097B1069/U	3 to 21 in. wc	0.7 to 5.2 kPa	0.24 in. wc Nominal; 0.48 in. wc Maximum	0.06 kPa Nominal; 0.12 kPa Maximum	Subtractive	Auto recycle	Break on pressure rise	2 1/4 in. high x 2 23/32 in. wide x 2 23/32 in. deep (57 mm high x 69 mm wide x 69 mm deep)		Flange Mount
C6097B1077/U	12 to 60 in. wc	3.0 to 15 kPa	1.1 in. wc Nominal; 2.4 in. wc Maximum	0.27 kPa Nominal; 0.60 kPa Maximum	Subtractive	Auto recycle	Break on pressure rise	2 1/4 in. high x 2 23/32 in. wide x 2 23/32 in. deep (57 mm high x 69 mm wide x 69 mm deep)		Flange Mount
C6097B1085/U	12 to 60 in. wc	3.0 to 15 kPa	1.1 in. wc Nominal; 2.4 in. wc Maximum	0.27 kPa Nominal; 0.60 kPa Maximum	Subtractive	Auto recycle	Break on pressure rise	3 3/16 in. high x 2 23/32 in. wide x 2 23/32 in. deep (81 mm high x 69 mm wide x 69 mm deep)	Vent or Low pressure – 1/8 in. NPT internal thread	1/4 in. NPT internal thread
C6097B1093/U	1.5 to 7 psi	10.3 to 48 kPa	0.1 psi Nominal; 0.3 psi Maximum	0.69 kPa Nominal; 2.07 kPa Maximum	Subtractive	Auto recycle	Break on pressure rise	2 1/4 in. high x 2 23/32 in. wide x 2 23/32 in. deep (57 mm high x 69 mm wide x 69 mm deep)		Flange Mount
C6097B1101/U	1.5 to 7 psi	10.3 to 48 kPa	0.1 psi Nominal; 0.3 psi Maximum	0.69 kPa Nominal; 2.07 kPa Maximum	Subtractive	Auto recycle	Break on pressure rise	3 3/16 in. high x 2 23/32 in. wide x 2 23/32 in. deep (81 mm high x 69 mm wide x 69 mm deep)	Vent or Low pressure – 1/8 in. NPT internal thread	1/4 in. NPT internal thread
C6097B1119/U	3 to 21 in. wc	0.7 to 5.2 kPa	0.24 in. wc Nominal; 0.48 in. wc Maximum	0.06 kPa Nominal; 0.12 kPa Maximum	Subtractive	Auto recycle	Break on pressure rise	3 3/16 in. high x 2 23/32 in. wide x 2 23/32 in. deep (81 mm high x 69 mm wide x 69 mm deep)	Vent or Low pressure – 1/8 in. NPT internal thread	1/4 in. NPT internal thread