

## L404A,B Pressuretrol® Controllers

### PRODUCT DATA



### APPLICATION

L404 Pressuretrol® Controllers are line voltage pressure controllers that provide operating control, automatic limit protection, or manual reset limit protection for pressure systems of up to 300 psi (21.1 kg/cm<sup>2</sup> or 2068 kPa).

### FEATURES

- Can be used with steam, air, non-combustible gases, or fluids non-corrosive to the pressure sensing element.
- Stainless steel diaphragm (except 300 psi [21.1 kg/cm<sup>2</sup>; 2068 kPa] models) also allows use with ammonia, oxygen, distilled water and similar media.
- L404B is recommended for supervision of atomizing medium pressure in oil burner systems.
- Dustproof, trouble-free mercury switches.
- Automatic reset models have adjustable, subtractive differential (except L404A1651).
- Screw adjustments made on top of case.
- Scaleplates marked in Metric (kg/cm<sup>2</sup>) and English (psi) units.
- Clear plastic cover on case to observe pressure settings and switch action.

### Contents

Application .....	1
Features .....	1
Specifications .....	2
Ordering Information .....	2
Installation .....	4
Setting and Checkout .....	6
Service Information .....	8



## SPECIFICATIONS

### IMPORTANT

*The specifications given in this publication do not include normal manufacturing tolerances. Therefore, this unit may not match the listed specifications exactly. Also, this product is tested and calibrated under closely controlled conditions, and some minor differences in performance can be expected if those conditions are changed.*

**Models:** L404A and B Pressuretrol® Controllers. See Table 1.

**NOTE:** A 14026 Steam Trap (siphon loop) is available, except where noted in Table 1. The steam trap is necessary for boiler installations.

**Switches:** Mercury switches in all models.

**Pressure Sensing Element:** Stainless steel diaphragm (brass bellows in 300 psi [21.1 kg/cm<sup>2</sup> (2068 kPa)] models).

**Ambient Temperature Range:** -35°F (-37°C) to +150°F (66°C).

**NOTE:** Also, see the NOTE in the Location and Mounting section.

**Adjustment Means:** Screws on top of controller case. Scales are marked in psi and kg/cm<sup>2</sup>.

**Electrical Connections:** Internal screw terminals; hole in side of case for 1/2 in. (13 mm) conduit.

**Mounting:** Hexagonal fitting on diaphragm has 1/4-18 NPT internal threads for mounting on a pipe or steam trap (siphon loop). Also can be surface-mounted using screws through two holes (knockouts) in back of case.

**Dimensions:** See Fig. 1. See Fig. 2 for mounting steam trap (siphon loop).

**Weight:** 2 lb. (0.91 kg).

**Finish:** Gray.

### Approvals:

Underwriters Laboratories Inc. Listed (L404A,B,C,D,F; L604A,L only); file no. MP466, vol. 10, guide no. MBPR. Canadian Standards Association certified (L404A,B,C,D,F; L604A,L only); file no. LR1620; guide no. 400-E-0.

### Replacement Parts:

129178 Thermoplastic Cover.  
14026 Steam Trap (siphon loop)—1/4 in. black iron pipe; necessary for boiler installations.

### Accessories:

33312B Knurled Adjustment Knob—with setscrew; fits on main scale pressure adjusting screw.  
4074BWJ Limit Stop Assembly—to limit setpoint ranges; includes 129564 Range Stop, 107194 Range Stop Screw, and 23466 Wrench.

## ORDERING INFORMATION

When purchasing replacement and modernization products from your TRADELINE® wholesaler or distributor, refer to the TRADELINE® Catalog or price sheets for complete ordering number.

If you have additional questions, need further information, or would like to comment on our products or services, please write or phone:

1. Your local Honeywell Automation and Control Products Sales Office (check white pages of your phone directory).
2. Honeywell Customer Care  
1885 Douglas Drive North  
Minneapolis, Minnesota 55422-4386

In Canada—Honeywell Limited/Honeywell Limitée, 35 Dynamic Drive, Scarborough, Ontario M1V 4Z9.

International Sales and Service Offices in all principal cities of the world. Manufacturing in Australia, Canada, Finland, France, Germany, Japan, Mexico, Netherlands, Spain, Taiwan, United Kingdom, U.S.A.

Table 1. Models Available .

Model	Switching Action on Pressure Rise to Setpoint	Operating Ranges <sup>a</sup>			Midscale Subtractive Differential <sup>a</sup> (Adjustable)			Maximum Surge Pressure		
		psi	kg/cm <sup>2</sup>	kPa	psi	kg/cm <sup>2</sup>	kPa	psi	kg/cm <sup>2</sup>	kPa
L404A	spst, breaks circuit	0.5 to 5	0.035 to 0.35	3.4 to 35	Fixed (0.25 psi maximum @ 1.5 psi)			8.5	0.6	59
		2 to 15 <sup>b</sup>	.14 to 1.0	14 to 103	2 to 6	0.14 to 0.41	14 to 4	50	3.5	345
		5 to 50	.35 to 3.5	34 to 345	4 to 12	.28 to 0.82	127 to 83	85	6.0	586
		10 to 150	.66 to 10.6	69 to 1034	8 to 16	0.56 to 1.10	55 to 110	225	15.8	1550
		20 to 300 <sup>c</sup>	1.4 to 21.0	138 to 2068	15 to 40	1.04 to 2.76	103 to 276	500	35.2	3445
L404B <sup>d</sup>	spst, makes circuit	2 to 15 <sup>b</sup>	.14 to 1.1	14 to 103	2 to 6	0.14 to 0.41	14 to 41	50	3.5	345
		5 to 50	.35 to 3.5	24 to 345	4 to 12	0.28 to 0.82	27 to 83	85	6.0	586
		10 to 150	.66 to 10.6	69 to 1034	8 to 16	0.56 to 1.10	55 to 110	225	15.8	1550
		20 to 300 <sup>c</sup>	1.4 to 21.0	138 to 2068	15 to 40	1.04 to 2.76	103 to 276	500	35.2	3445

<sup>a</sup> Scaleplates are marked in both psi and kg/cm<sup>2</sup>.

<sup>b</sup> L404A,B models are available with 1 to 6 psi midscale subtractive differential in 2 to 15 psi models.

<sup>c</sup> Brass bellows replace stainless steel diaphragm. Not suitable for use with ammonia, oxygen, or other corrosive materials.

<sup>d</sup> Also recommended for supervision of atomizing medium pressure (air or steam) in an oil burner system.

Table 2. Switch Contact Rating (in Amperes at 50/60 Hz).

Model	Load	120 vac	240 Vac	120 Vdc	240 Vdc
L404A	Full Load	8.0	5.1	2.4	1.2
	Locked Rotor	48.0	30.5	24.0	12.0
	Noninductive	10.0	5.0	5.0	2.0

Table 3. Conversion Table (psi to kg/cm<sup>2</sup> and kPa).

Operating Range			Subtractive Differential		
Equivalent			Equivalent		
Scale-Plate (psi)	kg/cm <sup>2</sup>	kPa	Scale-Plate (psi)	kg/cm <sup>2</sup>	kPa
0 to 15	0 to 10	0 to 103	—	—	—
2 to 15	0.14 to 1.0	14 to 103	1 to 6 2 to 6	0.77 to 4 0.14 to 0.4	7 to 41 14 to 41
5 to 50	0.3 to 3.5	35 to 345	4 to 12 5 to 14	0.3 to 0.8 0.4 to 1.0	28 to 83 41 to 97
5 to 150	0.3 to 10.3	34 to 1034	—	—	—
10 to 150	0.7 to 10.3	69 to 1034	8 to 16 10 to 22	0.6 to 1.1 0.7 to 1.5	55 to 110 69 to 152
20 to 360	1.4 to 20.7	138 to 2068	15 to 40	1.0 to 2.8	103 to 276 138 to 345



## MERCURY NOTICE

If this control is replacing a control that contains mercury in a sealed tube, do not place your old control in the trash. Dispose of properly. This control also contains mercury in a sealed tube. It must also be disposed of properly when it is replaced.

Contact your local waste management authority for instructions regarding recycling and the proper disposal of an old control.

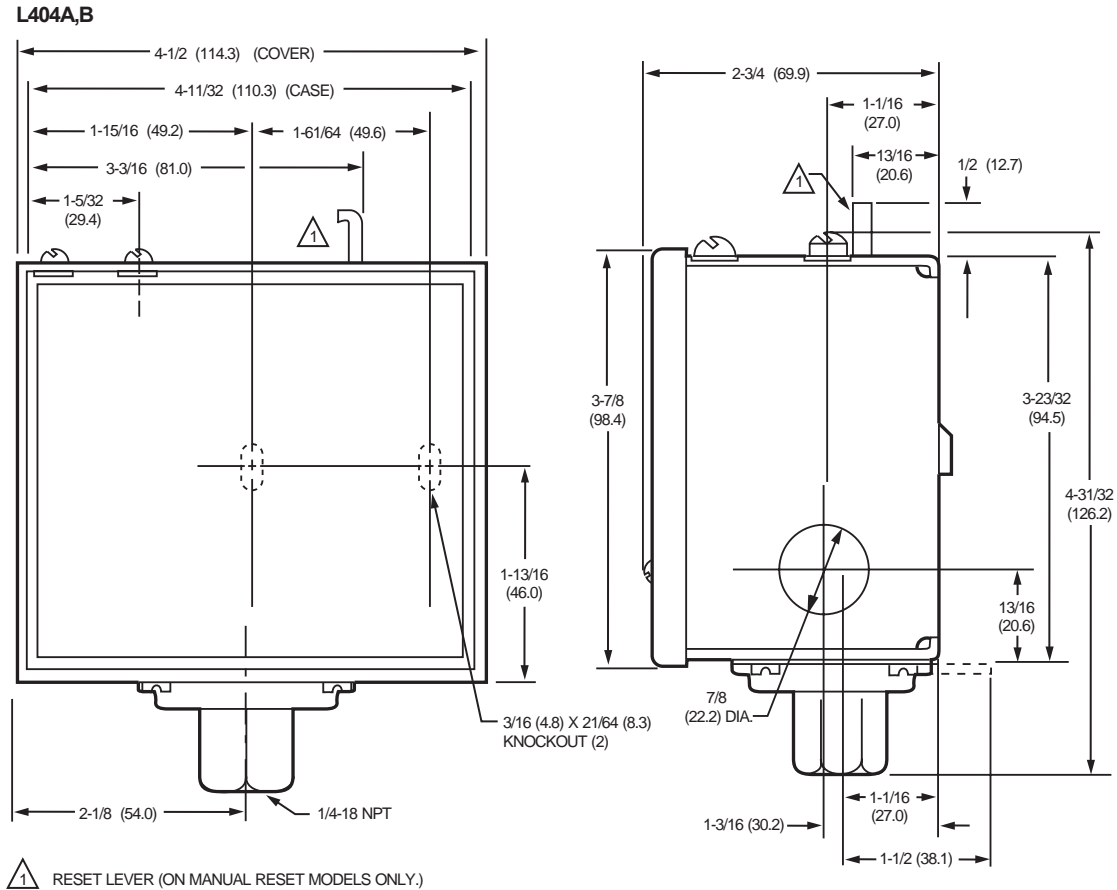


Fig. 1. Mounting dimensions of the L404A,B Pressuretrol® Controllers in in. (mm).

## INSTALLATION

### When Installing This Product...

1. Read these instructions carefully. Failure to follow them could damage the product or cause a hazardous condition.
2. Check the ratings given in the instructions and on the product to make sure the product is suitable for your application.
3. Installer must be a trained, experienced, flame safeguard control technician.
4. After installation is complete, check out product operation as provided in these instructions.

## ⚠️ WARNING

**Electrical Shock Hazard.**  
**Can cause severe injury, death or property damage.**

Disconnect the power supply before beginning installation to prevent electrical shock or possible equipment damage.

## ⚠️ CAUTION

**Equipment Damage Hazard.**  
**Improper use with a compressor can damage the controller.**

When using the controller with a compressor, install a dampening device (such as a needle valve, header, or surge tank) to dampen pulsations that can damage the controller or reduce its life.

### IMPORTANT

1. Locate the controller where the ambient temperature will not exceed 150°F (66°C).
2. Use pipe compound sparingly to avoid clogging the hole in the pipe or diaphragm fitting.
3. Do not tighten the controller by hand by holding the case.
4. Accurately level the controller for proper operation.

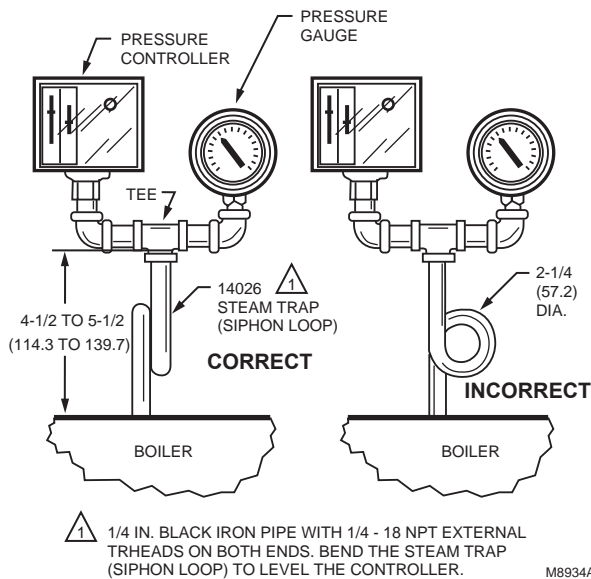
## Location and Mounting

**NOTE:** For most accurate operation; add supplemental heat to installations where the heat falls below  $-20^{\circ}\text{F}$  ( $-29^{\circ}\text{C}$ ). Never locate the controller where the temperature falls below  $-35^{\circ}\text{F}$  ( $-37^{\circ}\text{C}$ ), because mercury in the switch freezes at this temperature.

When used with steam boilers, always mount the controller *above the water line* in the boiler. A steam trap (siphon loop) must always be connected between the controller and the boiler (see Fig. 2) to prevent boiler scale and corrosive vapors from attacking the diaphragm. The loop on the steam trap must always be perpendicular to the face of the controller. If the loop is parallel to the controller, expansion or contraction of the loop tips the controller and causes inaccurate operation of the switch.

The controller can be mounted:

- alongside the pressure gauge,
- in a fitting on the boiler provided by the manufacturer,
- at a remote location in case of excessive vibration,
- in a special mounting on a low water cutoff.



**Fig. 2. Right and wrong mounting of a steam trap (siphon loop), with approximate dimensions in in. (mm).**

Make all pipe connections in accordance with approved standards. Use only a small amount of pipe compound to seal the connection joints. Excess pipe compound can clog the small hole in the fitting and prevent the controller from operating properly.

To avoid leaks and damage to the case, use a parallel jaw wrench on the controller hexagonal fitting. *Do not tighten the controller by hand by holding the case.*

## Leveling

A controller with a mercury switch must be accurately leveled for proper operation. It is level when the leveling indicator (see Fig. 7) hangs freely with its pointer directly over the index mark inside the back of the case. Level the controller by carefully bending the steam trap (siphon loop).

## Mounting Alongside a Pressure Gauge

To mount the controller *alongside a pressure gauge* (Fig. 2), remove the gauge. In its place, install a steam trap (siphon loop) with a tee on top. Using elbows and pipe nipples, mount the controller and pressure gauge on the ends of the tee. Level the controller after installation.

## Mounting on a Boiler

If it is not convenient to mount the controller alongside the pressure gauge, install steam trap (siphon loop) in the fitting provided by the boiler manufacturer. If there is no fitting, mount the steam trap at a location recommended by the boiler manufacturer. Screw the controller directly to the steam trap and level the controller.

## Mounting at a Remote Location

If there is *excessive vibration* at the boiler than can adversely affect the operation of the controller, mount the controller at a remote location. All piping from the boiler must be suitable and solidly mounted. The piping must be properly pitched to drain all condensation back to the boiler. A steam trap (siphon loop) must be mounted between the remote piping and the controller. Level the controller after installation.

## Supervision of Atomizing Medium Pressure (Air or Steam)—L404B

When air or steam is used as an atomizing medium in an oil burner system, authorities having jurisdiction (approval bodies and codes) often require a low limit to prevent opening the main oil valve until sufficient atomizing pressure is present, and to shut down the system when the atomizing pressure falls too low.

The L404B is recommended for this application. It makes a circuit when the pressure rises to the setpoint and breaks when the pressure falls to the setpoint minus the differential (Fig. 7).

## Wiring

### ⚠️ WARNING

**Electrical Shock Hazard.**

**Can cause severe injury, death or equipment damage.**

Disconnect the power supply before beginning wiring to prevent electrical shock or equipment damage.

1. Assure all wiring complies with applicable electrical codes, ordinances and regulations. Use NEC Class 1 (line voltage) wiring.
2. For normal installation, use moisture-resistant No. 14 wire suitable for at least 167°F (75°C) when you are using the controller with a flame safeguard primary control, or at least 194°F (90°C) when using it with a programming control.
3. For high temperature installations, use moisture-resistant No. 14 wire, selected for a temperature rating above the maximum operating temperature.
4. All models have a terminal block inside the cover (see Fig. 3) and a 7/8 in. (22 mm) hole in one side for 1/2 in. conduit, cable or wires. Remove the front cover by loosening the screw at the bottom of the main scale.
5. Refer to Fig. 4 and 5 for typical hookups. Follow the burner or boiler manufacturer wiring diagrams, if provided.
6. Make sure the loads do not exceed the Switch Contact Ratings in the Specifications section.
7. Replace the front cover when the wiring is completed.

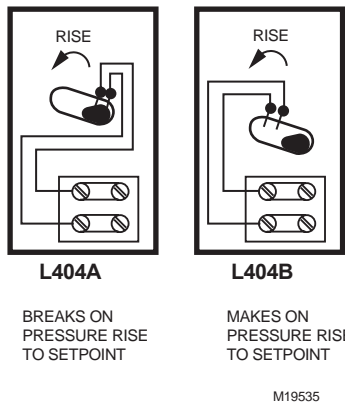
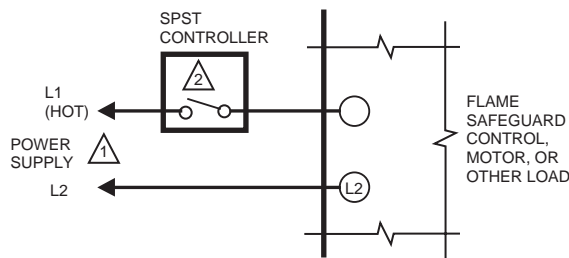


Fig. 3. L404 terminal blocks and internal schematics.



- ⚠️ PROVIDE DISCONNECT MEANS AND OVERLOAD PROTECTION AS REQUIRED.
- ② HIGH LIMIT—L404A BREAKS WHEN PRESSURE RISES TO SETPOINT.  
 LOW LIMIT—L404B BREAKS WHEN PRESSURE FALLS TO SETPOINT MINUS DIFFERENTIAL.  
 OPERATING CONTROLLER—L404A BREAKS WHEN PRESSURE RISES TO SETPOINT, AND MAKES AGAIN WHEN PRESSURE FALLS TO SETPOINT MINUS DIFFERENTIAL.
- M19536

Fig. 4. L404 used as a limit or as an operating controller.

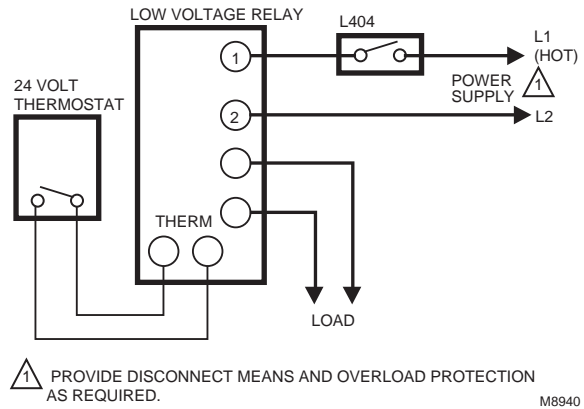


Fig. 5. L404 with a low voltage relay.

## SETTING AND CHECKOUT

### Setting

In all models, except the L404A1651 which has a fixed differential, the differential is subtractive from the main scale set point. The upper operating point is determined by the main scale set point, while the lower operating point is determined by the main scale setting less the differential setting. Operating points are shown in Fig. 6.

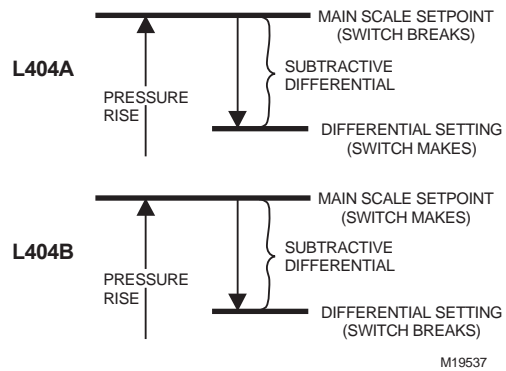


Fig. 6. L404 operating points.

Adjust the main scale set point for the desired operating pressure by turning the main scale adjusting screw (Fig. 7) on the top of the case until the main scale setting indicator is at the desired value. On an L404A (except the L404A1651, which has a fixed differential) or L404B, adjust the differential setting by turning the differential adjusting screw (Fig. 7) until the differential setting indicator is at the desired value. The scaleplates are marked psi and kg/cm<sup>2</sup>.

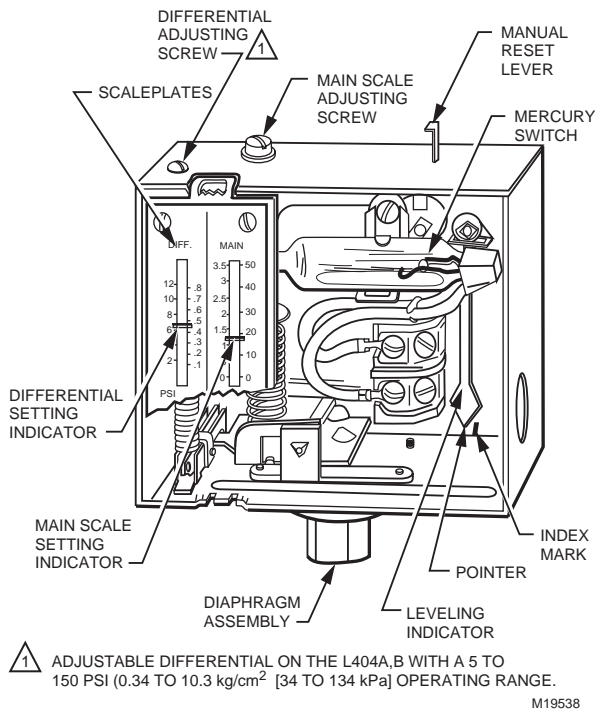


Fig. 7. Setting a Pressuretrol® Controller.

## Checkout

After the controller has been installed, wired, and set, test it with the system in operation. First allow the system to stabilize. Then observe the operation of the controller while raising and lowering its setpoint. Pressure should increase when the setpoint is raised and decrease when the set point is lowered.

Also check the make and break points of the controller. If they do not agree with a separate, accurately calibrated pressure gauge, a slight adjustment of the scaleplate(s) may be necessary.

Use accurate pressure testing equipment when checking out the controller. Do not rely on inexpensive gauges. The controllers are carefully calibrated at the factory.

## Boiler Installation

If the controller is being used on a boiler installation, test it as follows:

1. Note the boiler pressure by checking the boiler pressure gauge. (To perform this test properly, the boiler should have a pressure reading near the middle of the controller's main scale range.)
2. Turn the main scale adjusting screw (Fig. 7) until the main scale setting indicator on the controller corresponds to the boiler pressure gauge reading.
3. The L404A should break the control circuit(s) automatically when the boiler pressure gauge reading equals or slightly exceeds the controller setting.
4. The L404B should make the circuit under the same circumstances.
5. If the controller is operating properly, turn the main scale adjusting screw (Fig. 7) until the main scale setting indicator is at the desired set point.

## If a Controller Seems to Operate Improperly

If the controller is suspected of operating improperly, it may be further checked as follows (Fig. 8):

1. Disconnect all power to the controller, loosen the cover screw, and remove the cover.
2. Disconnect the wires from the controller.
3. Connect an ohmmeter between the switch terminals.
4. Lower the set point of the controller (simulating a pressure increase) through a range greater than the differential. The switch should either make or break, depending on the model of the controller. (An L404A should break, an L404B should make.) If it makes, the ohmmeter reads zero; if it breaks, the ohmmeter reads infinity.
5. Raise the set point of the controller (simulating a pressure decrease) through a range greater than the differential. The switch should break or make, just the opposite of its action in step 4.
6. An approximation of the differential can be made by observing the change in set point required for a resistance change from zero to infinity.
7. If the controller operates improperly, replace it.
8. When the controller is operating properly, reconnect the wires to the terminal block, replace the cover and tighten the cover screw, and reconnect the power.



## CAUTION

### Equipment Damage Hazard.

### Improper operation can damage the equipment.

Do not put the system into service until you have satisfactorily completed all applicable tests described in this Checkout section, in the Checkout section of the applicable instructions for the flame safeguard control, and any others required by the burner and boiler manufacturers.

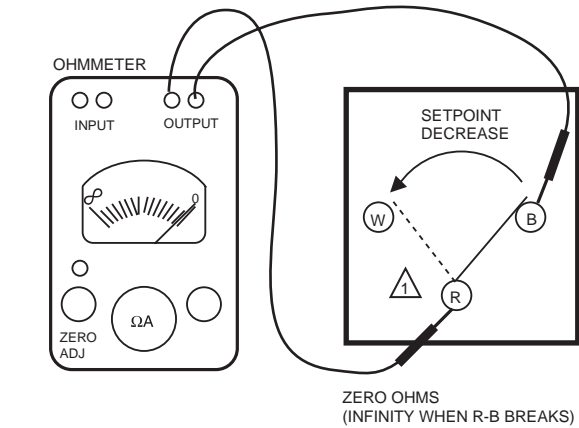
## SERVICE INFORMATION

### Calibration

The controller was carefully calibrated during manufacturing and should not require recalibration. Most calibration errors are caused by improper leveling. The controller should be level when the pointer on the leveling indicator is directly over the index mark (Fig. 7). In some cases, the leveling indicator may not be accurate enough. The pointer may be over the index mark, but the controller still may not be operating within the tolerance of its scale setting. In this case, carefully bend the steam trap (siphon loop) until the controller switches properly.

### Maintenance

The cover of the controller should be in place at all times to protect the internal components from dirt, dust, and physical damage. Routine maintenance should consist of occasional inspection and blowing or brushing away any accumulated dirt and dust. To ensure proper functioning of the controller at all times, perform an operational check of the entire system during routine maintenance checks.



⚠ AN L404A, B HAS ONLY TWO TERMINALS (SPST SWITCHING); AN L404A R C BREAKS AND L404B MAKES WHEN THE SETPOINT IS DECREASED FAR ENOUGH.

M19539

**Fig. 8. Checking controller operation using an ohmmeter.**

**Honeywell**

#### Automation and Control Solutions

Honeywell International Inc. 1985 Douglas Drive North Golden Valley, MN 55422	Honeywell Limited-Honeywell Limitée 35 Dynamic Drive Scarborough, Ontario M1V 4Z9
---	--



## Régulateurs Pressuretrol® L404A et B

NOTICE TECHNIQUE



### APPLICATION

Les régulateurs Pressuretrol® L404 tension secteur servent de dispositif de commande et de limiteur automatique ou à réarmement manuel dans les systèmes dont la pression peut atteindre 21, 1 kg/cm<sup>2</sup> (300 psi ou 2068 kPa).

### CARACTÉRISTIQUES

- Peuvent être utilisés avec de la vapeur, de l'air, des gaz non combustibles ou avec tout fluide qui ne risque pas de corroder l'élément sensible.
- Membrane en acier inoxydable (sauf sur les modèles 21,1 kg/cm<sup>2</sup> [300 psi ou 2068 kPa]) permettant également leur utilisation avec de l'ammoniac, de l'oxygène, de l'eau distillée et d'autres fluides semblables.
- Le modèle L404B est recommandé pour la surveillance de la pression d'un agent de pulvérisation dans les systèmes munis d'un brûleur à mazout.
- Interrupteurs à mercure fiables et antipoussière.
- Différentiel soustractif réglable sur les modèles à réarmement automatique (sauf sur le modèle L404A1651).
- Des vis sur le dessus du boîtier permettent d'effectuer les réglages.
- Échelles de mesure métrique (kg/cm<sup>2</sup>) et anglaise (psi).

### Table des matières

Application .....	1
Caractéristiques .....	1
Fiche technique .....	2
Installation .....	5
Câblage .....	6
Réglage et vérification .....	7
Entretien .....	8



## FICHE TECHNIQUE

### IMPORTANT

*Les caractéristiques énoncées dans la présente notice technique n'englobent pas les tolérances normales de fabrication. Par conséquent, les caractéristiques de l'appareil peuvent ne pas correspondre exactement à celles mentionnées. De plus, ce produit est vérifié et étalonné dans des conditions étroitement contrôlées qui, modifiées, peuvent entraîner de légères différences de rendement.*

**Modèles :** Régulateurs Pressuretrol® L404A et B. Voir le Tableau 1.

**REMARQUE :** Un purgeur 14026 (siphon) est offert, sauf indication contraire dans le Tableau 1. Ce purgeur est nécessaire pour le montage sur chaudière.

**Interrupteurs :** mercure, sur tous les modèles.

**Élément sensible :** Membrane en acier inoxydable (soufflet en laiton sur les modèles 21,1 kg/cm<sup>2</sup> [300 psi (2068 kPa)])

**Gamme de température ambiante :** -37 °C (-35 °F) à +66 °C (150 °F)

**REMARQUE :** Voir également la REMARQUE à la section Remplacement et montage.

**Réglage :** Vis sur le dessus du boîtier. Les échelles sont indiquées en kg/cm et en psi.

**Raccordement électrique :** Bornes à vis à l'intérieur; trou pour conduit de 13 mm (1/2 po) sur le côté.

**Montage :** Le raccord hexagonal sur la membrane a un filetage intérieur de 1/4-18 NPT permettant le montage sur un conduit ou un purgeur (siphon). Peut également être monté en saillie au moyen de vis dans les deux alvéoles (entrées défonçables) à l'arrière du boîtier.

**Dimensions :** Voir la Fig. 1. Voir également la Fig. 2 pour celles du purgeur (siphon).

**Poids :** 0,91 kg (2 lb).

**Couleur :** gris

### Homologations :

Répertorié par les Laboratoires des assureurs inc. (L404A, B, C, D, F; L604A, L seulement); dossier MP466, vol. 10; guide MBPR.

Certifié par l'Association canadienne de normalisation (L404A, B, C, D, F; L604A, L seulement); dossier LR1620; guide 400-E-O.

### Pièces de rechange :

129178 Couvercle en thermoplastique  
14026 Purgeur (siphon) - tuyau de fer noir de 1/4 po; nécessaire pour le montage sur chaudière.

### Accessoires :

33312B Molette de réglage avec vis; s'ajuste à la vis de réglage du point de consigne de l'échelle principale.  
4074BWJ Butée de réglage et accessoires pour limiter le point de consigne : comprend butée 129564, vis de butée 107194 et clé 23466.

## POUR COMMANDER

Au moment d'acheter des produits de modernisation ou de remplacement auprès de votre grossiste ou distributeur TRADELINE®, consulter le catalogue TRADELINE® ou les tarifs pour obtenir le numéro de pièce.

Prière d'adresser toute question supplémentaire, demande d'information ou tout commentaires sur les produits et services par écrit ou par téléphone :

1. Au bureau de vente local des produits de régulation et d'automatisation Honeywell (consulter les pages blanches de l'annuaire téléphonique).

2. Au Centre des services à la clientèle: 1885 Douglas Drive North, Minneapolis, Minnesota 55422-4386

Au Canada : Honeywell Limited-Honeywell Limitée, 35 Dynamic Dr., Scarborough, Ontario, M1V 4Z9

Points de vente et de service dans toutes les grandes villes du monde. Usines en Allemagne, en Australie, au Canada, en Espagne, aux États-Unis, en Finlande, en France, au Japon, au Mexique, aux Pays-Bas, au Royaume-Uni et à Taiwan.

Tableau 1. Modèles offerts

Modèle	Commutation sur hausse de pression au point de consigne	Échelles de service <sup>a</sup>			Différentiel soustractif à mi-échelle <sup>a</sup> (réglable)			Pression maximale (coup de bélier)		
		psi	kg/cm <sup>2</sup>	kPa	psi	kg/cm <sup>2</sup>	kPa	psi	kg/cm <sup>2</sup>	kPa
L404A	Unipol. unidir., ouverture du circuit	0,5 à 5	0,035 à 0,35	3,4 à 35	fixe (0,25 psi max. sous 1,5 psi)			8,5	0,6	59
		2 à 15 <sup>b</sup>	0,14 à 1,0	14 à 103	2 à 6	0,14 à 0,41	14 à 4	50	3,5	345
		5 à 50	0,35 à 3,5	34 à 345	4 à 12	0,28 à 0,82	127 à 83	85	6,0	586
		10 à 150	0,66 à 10,6	69 à 1034	8 à 16	0,56 à 1,10	55 à 110	225	15,8	1550
		20 à 300 <sup>c</sup>	1,4 à 21,0	138 à 2068	15 à 40	1,04 à 2,76	103 à 276	500	35,2	3445
L404B <sup>d</sup>	Unipol. unidir., fermeture du circuit	2 à 15 <sup>b</sup>	0,14 à 1,1	14 à 103	2 à 6	0,14 à 0,41	14 à 4	50	3,5	345
		5 à 50	0,35 à 3,5	24 à 345	4 à 12	0,28 à 0,82	127 à 83	85	6,0	586
		10 à 150	0,66 à 10,6	69 à 1034	8 à 16	0,56 à 1,10	55 à 110	225	15,8	1550
		20 à 300 <sup>c</sup>	1,4 à 21,0	138 à 2068	15 à 40	1,04 à 2,76	103 à 276	500	35,2	3445

<sup>a</sup> Les échelles de pression sont en kg/cm<sup>2</sup> et en psi.

<sup>b</sup> Les modèles L404A et B dont l'échelle de service est de 2 à 15 psi sont offerts avec différentiel soustractif à mi-échelle de 1 à 6 psi.

<sup>c</sup> Le soufflet en laiton remplace la membrane en acier inoxydable. Ne convient pas pour utilisation avec de l'ammoniac, de l'oxygène ou autres matières corrosives.

<sup>d</sup> Également recommandé pour la surveillance de pression d'un agent de pulvérisation (air ou vapeur) dans un système avec brûleur à mazout.

Tableau 2. Intensité nominale des contacts (en A à 50/60 Hz).

Modèle	Charge	120 V c.a.	240 V c.a.	120 V c.c.	240 V c.c.
L404A	Pleine charge	8,0	5,1	2,4	1,2
	Rotor bloqué	48,0	30,5	24,0	12,0
	Non inductive		5,0	5,0	2,0

Tableau 3. Tableau de conversion (psi en kg/cm<sup>2</sup> et en kPa)

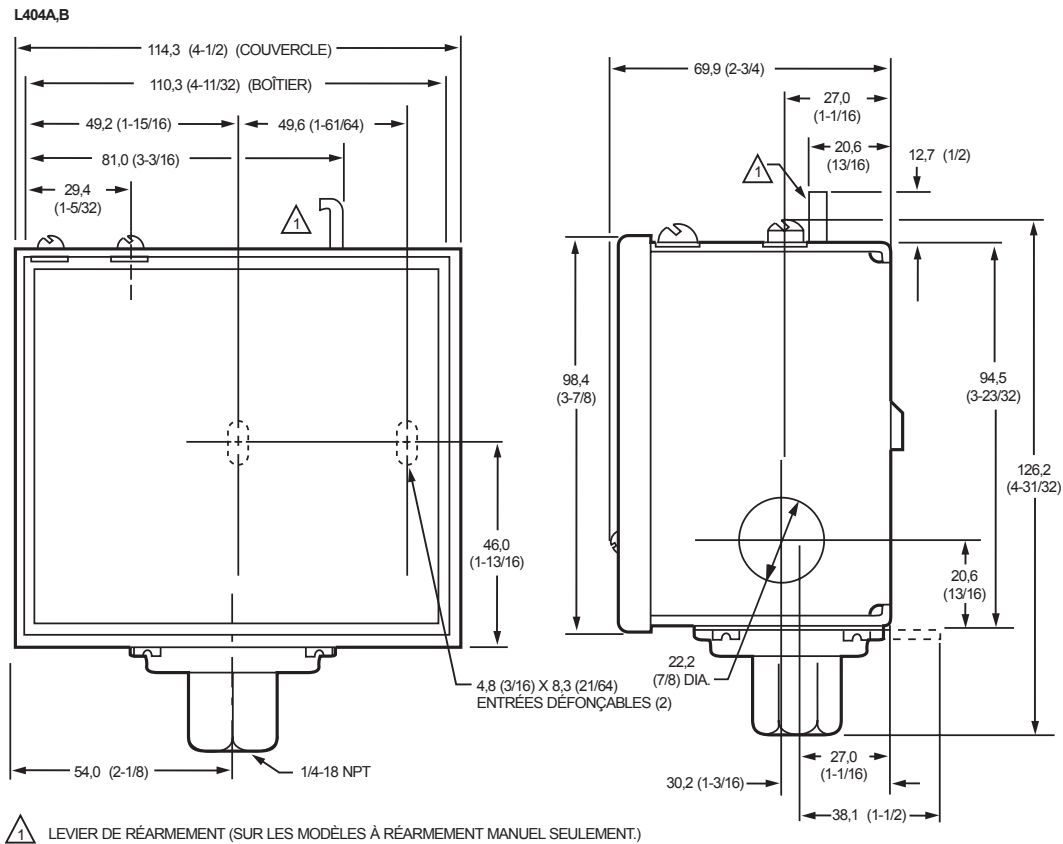
Échelles de service			Différentiel soustractif		
Échelle (psi)	Équivalent		Échelle (psi)	Équivalent	
	kg/cm <sup>2</sup>	kPa		kg/cm <sup>2</sup>	kPa
0 à 15	0 à 10	0 à 103	—	—	—
2 à 15	0,14 à 1,0	14 à 103	1 à 6 2 à 6	0,77 à 4 0,14 à 0,4	7 à 41 14 à 41
5 à 50	0,3 à 3,5	35 à 345	4 à 12 5 à 14	0,3 à 0,8 0,4 à 1,0	28 à 83 41 à 97
5 à 150	0,3 à 10,3	34 à 1034	—	—	—
10 à 150	0,7 à 10,3	69 à 1034	8 à 16 10 à 22	0,6 à 1,1 0,7 à 1,5	55 à 110 69 à 152
20 à 360	1,4 à 20,7	138 à 2068	15 à 40	1,0 à 2,8	103 à 276 138 à 345



## AVIS DE RECYCLAGE

Communiquer avec le service d'enlèvement des déchets de la municipalité pour savoir comment recycler ce type de régulateur et comment en disposer.

Si le présent régulateur en remplace un contenant du mercure dans une ampoule scellée, ne pas jeter l'ancien régulateur à la poubelle. Respecter les normes relatives à la mise hors service du produit. Le présent régulateur contient lui aussi du mercure dans une ampoule scellée.



MF19534

Fig. 1. Dimensions à l'installation des régulateurs Pressuretrol® en mm (po).

## INSTALLATION

### Avant d'installer ce produit...

1. Lire attentivement les présentes instructions. Le fait de ne pas les suivre pourrait constituer un danger ou endommager le produit.
2. Vérifier les caractéristiques nominales spécifiées dans les instructions et celles indiquées sur le produit pour s'assurer que celui-ci convient à l'usage prévu.
3. L'installateur doit être un technicien spécialisé dans les dispositifs de commande et de sécurité ayant reçu une formation pertinente.
4. Une fois l'installation terminée, vérifier le fonctionnement du produit en suivant les présentes instructions.

## ⚠ AVERTISSEMENT

**Risque de choc électrique.**

**Peut causer des blessures graves ou la mort et des dommages matériels.**

Couper l'alimentation avant d'installer ce produit pour éviter toute décharge électrique et tout dommage à l'équipement.

## ⚠ MISE EN GARDE

**Risque de dommages à l'équipement.**

**Un mauvais usage dans une application avec compresseur pourrait endommager le régulateur.**

Lorsque le régulateur est utilisé avec un compresseur, installer un amortisseur (p. ex. un robinet à pointeau, un collecteur ou un séparateur à liquide) afin d'atténuer les oscillations susceptibles de l'endommager ou d'en réduire la durée de vie.

### IMPORTANT

1. Placer le régulateur à un endroit où la température ambiante n'excède pas 66 °C (150 °F).
2. Utiliser la pâte pour joints de tuyauterie avec modération pour ne pas boucher les tuyaux et le raccord de la membrane.
3. Ne pas tenir le régulateur par le boîtier pour le serrer.
4. Le régulateur doit être de niveau pour bien fonctionner.

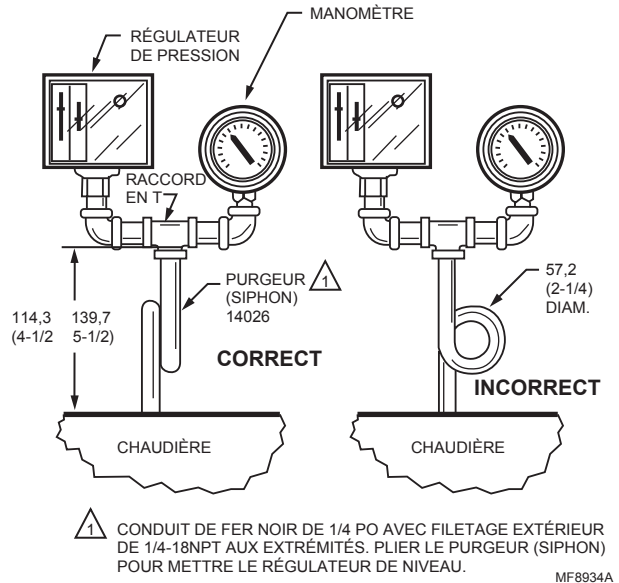
## Emplacement et montage

REMARQUE : Aux endroits où la température descend à moins de -29 °C (-20 °F), installer des générateurs de chaleur d'appoint pour assurer un fonctionnement précis du régulateur. Ne jamais installer ce dernier à des endroits où la température tombe à moins de -37 °C (-35 °F), car le mercure de l'interrupteur gèlerait.

Lorsqu'il est utilisé avec une chaudière à vapeur, le régulateur doit toujours être monté au dessus du niveau d'eau. Pour prévenir l'entartrage de la chaudière et la corrosion de la membrane, toujours installer un purgeur (siphon) entre le régulateur et la chaudière (Fig. 2). La boucle du purgeur doit toujours être perpendiculaire au devant du régulateur, sinon sa dilatation ou sa contraction fera pencher le régulateur et diminuera la précision de l'interrupteur.

Le régulateur peut être monté :

- a. à côté du manomètre,
- b. dans un raccord sur la chaudière fourni par le fabricant,
- c. à un endroit assez éloigné (en cas de vibrations excessives),
- d. dans un montage spécial sur un régulateur de sécurité de bas niveau.



**Fig. 2. Bon et mauvais montage d'un purgeur (siphon), avec dimensions approximatives en mm (po).**

Raccorder les tuyaux selon les normes en vigueur. N'utiliser qu'une petite quantité de pâte pour étancher les joints. Une utilisation excessive de ce produit risque de boucher le petit trou du raccord et d'empêcher le régulateur de fonctionner correctement.

Pour éviter les fuites et les dommages au boîtier, utiliser une clé à mâchoire parallèle pour le raccord hexagonal du régulateur. Ne pas serrer en tenant le régulateur par le boîtier.

### Niveau

Un régulateur doté d'un interrupteur à mercure doit être mis de niveau de façon précise pour bien fonctionner. Pour ce faire, plier le purgeur (siphon) avec soin. Lorsque l'indicateur de niveau (Fig. 7) pend librement et que sa pointe est juste au-dessus de l'index au fond du boîtier, le régulateur est de niveau.

### Montage à côté du manomètre

Pour monter le régulateur à côté du manomètre (Fig. 2), enlever le manomètre et le remplacer par un purgeur (siphon) surmonté d'un raccord en T. Monter le régulateur et le manomètre aux extrémités du raccord au moyen des coudes et des mamelons. Mettre le régulateur de niveau après l'installation.

## Montage sur chaudière

Si le régulateur ne peut être monté à côté du manomètre, installer un purgeur (siphon) dans le raccord fourni par le fabricant de la chaudière. S'il n'y a pas de raccord, monter le purgeur à l'endroit recommandé par le fabricant de la chaudière. Visser le régulateur directement sur le purgeur et le mettre de niveau.

## Montage à distance

Lorsque des vibrations trop fortes à la chaudière risquent d'altérer le fonctionnement du régulateur, celui-ci doit être monté à distance. Toute la tuyauterie provenant de la chaudière doit être adéquate et montée solidement. Elle doit être également assez inclinée pour ramener toute l'eau de condensation à la chaudière. Un purgeur (siphon) doit être monté entre le régulateur et le conduit. Mettre le régulateur de niveau après l'installation.

## Surveillance de la pression de l'agent de pulvérisation (air ou vapeur) - L404B

Lorsqu'on utilise de l'air ou de la vapeur pour la pulvérisation du mazout dans un brûleur, les organismes de normalisation et de réglementation exigent souvent l'installation d'un limiteur à minimum pour empêcher l'ouverture de la vanne d'alimentation principale jusqu'à ce que la pression de pulvérisation soit suffisante et pour arrêter le système si la pression devient trop basse.

Le L404B convient parfaitement à cette application. Il ferme un circuit lorsque la pression atteint le point de consigne et l'ouvre lorsqu'elle descend jusqu'au point de consigne moins le différentiel (Fig. 7).

## CÂBLAGE

### ⚠ AVERTISSEMENT

**Risque de choc électrique.**

**Peut causer des blessures graves ou la mort et endommager l'équipement.**

Couper l'alimentation avant d'effectuer les raccordements pour éviter toute décharge électrique et tout dommage à l'équipement.

1. Tout le câblage doit être conforme aux codes et règlements en vigueur. Utiliser du fil NEC de classe 1 (tension secteur).
2. Pour des installations ordinaires, utiliser du fil n° 14 résistant à l'humidité et à des températures d'au moins 75 °C (167 °F), si le régulateur est combiné à un régulateur primaire de surveillance de flamme, ou d'au moins 90 °C (194 °F) s'il est combiné à un régulateur programmeur.
3. Pour les installations à haute température, utiliser du fil n° 14 résistant à l'humidité et à des températures supérieures à la température maximale de service.
4. Tous les modèles ont un bornier dans le couvercle (Fig. 3) et un trou de 22 mm (7/8 po) sur un côté pour un conduit ou des câbles de 1/2 po. Enlever le couvercle en dévissant la vis sous l'échelle principale.
5. Voir les schémas de raccordement types aux figures 4 et 5. Suivre le schéma de raccordement du fabricant du brûleur ou de la chaudière, s'il y a lieu.

6. S'assurer que les charges n'excèdent pas les caractéristiques nominales des contacts énumérées à la section FICHE TECHNIQUE.
7. Remettre le couvercle en place après le câblage.

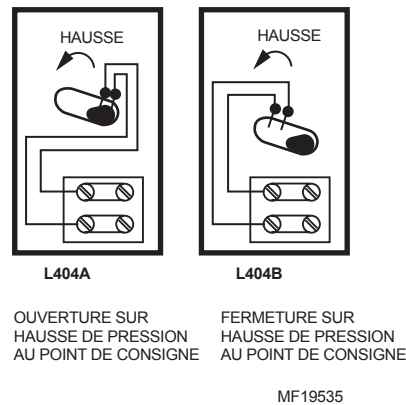


Fig. 3. Borniers et schémas internes du L404.

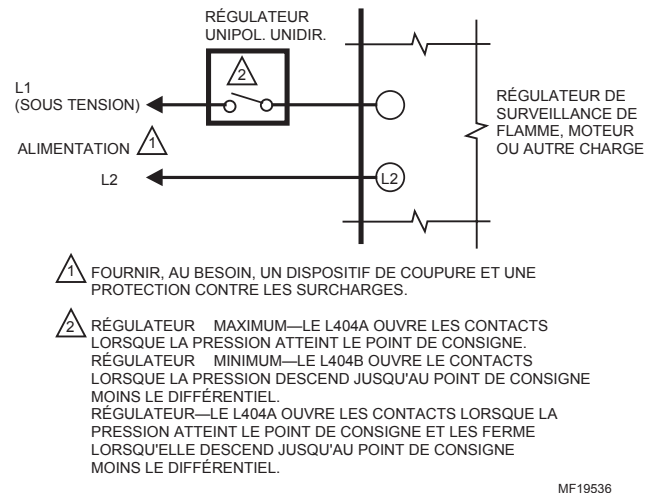


Fig. 4. Le L404 utilisé comme limiteur ou régulateur.

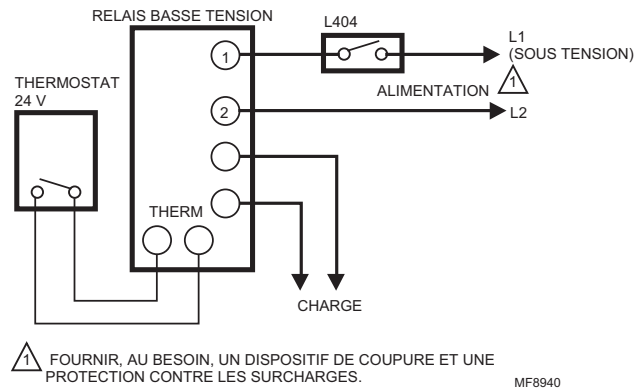


Fig. 5. Le L404 combiné à un relais basse tension.

## RÉGLAGE ET VÉRIFICATION

### Réglage

Sur tous les modèles, sauf le L404A1651 qui a un différentiel fixe, le différentiel se soustrait du point de consigne de l'échelle principale. Le point de service maximal est déterminé par le point de consigne de l'échelle principale; le point de service minimal est déterminé par le point de consigne moins le différentiel. Les points de service sont illustrés à la Fig. 6.

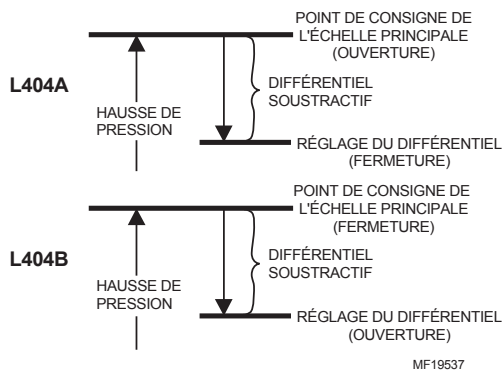


Fig. 6. Points de service du L404.

Régler le point de consigne de l'échelle principale à la pression de service désirée en tournant la vis de réglage de l'échelle principale (Fig. 7), placée sur le dessus du boîtier, jusqu'à ce que l'indicateur de l'échelle principale soit réglé à la valeur désirée. Sur un L404A (sauf le L404A1651 qui a un différentiel fixe) ou L404B, régler le différentiel en tournant la vis de réglage du différentiel (Fig. 7) jusqu'à ce que l'indicateur du différentiel soit à la valeur désirée. Les échelles sont indiquées en psi et kg/cm<sup>2</sup>.

### Vérification

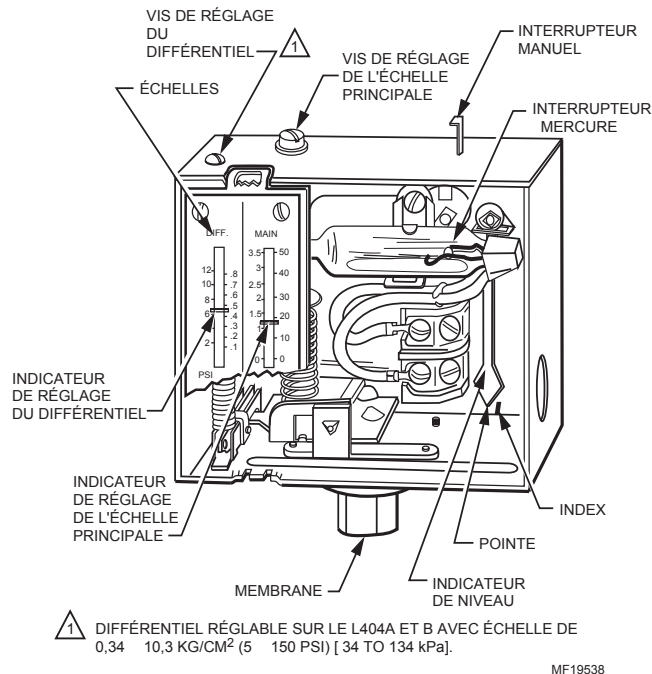
Une fois installé, câblé et réglé, le régulateur doit être vérifié alors que le système fonctionne. Laisser d'abord le système se stabiliser. Élever et abaisser ensuite le point de consigne du régulateur en observant son fonctionnement : la pression devrait augmenter à mesure qu'on élève le point de consigne et baisser à mesure qu'on l'abaisse.

Vérifier également les points de fermeture et d'ouverture des contacts. S'ils ne correspondent pas aux données d'un manomètre distinct et bien étalonné, il se peut qu'il faille ajuster légèrement les échelles de mesure.

Utiliser des appareils vérificateurs de pression précis pour vérifier le régulateur. Ne pas se fier à des manomètres bon marché; les régulateurs sont réglés en usine avec soin.

### Installation sur une chaudière

Si le régulateur doit être monté sur une chaudière, le vérifier comme suit :



1 DIFFÉRENTIEL RÉGLABLE SUR LE L404A ET B AVEC ÉCHELLE DE 0,34 10,3 KG/CM<sup>2</sup> (5 150 PSI) [ 34 TO 134 kPa].

Fig. 7. Réglage du régulateur Pressuretrol®

1. Noter la pression de la chaudière indiquée sur le manomètre. (Pour que cette vérification soit concluante, la pression de la chaudière doit être à peu près équivalente à la valeur médiane de l'échelle principale du régulateur.)
2. Tourner la vis de réglage de l'échelle principale (Fig. 7) jusqu'à ce que l'indicateur de cette échelle indique la valeur de lecture du manomètre.
3. Le L404A devrait ouvrir le ou les circuits de commande automatiquement lorsque la valeur de lecture du manomètre de la chaudière est égale ou excède légèrement le point de consigne du régulateur.
4. Le L404B devrait fermer le circuit dans les mêmes conditions.
5. Si le régulateur fonctionne correctement, tourner la vis de réglage de l'échelle principale (Fig. 7) jusqu'à ce que l'indicateur de cette échelle soit au point de consigne désiré.

### Mauvais fonctionnement possible du régulateur

Si le régulateur ne semble pas bien fonctionner, on peut faire une vérification plus approfondie en procédant comme suit (Fig. 8) :

1. Couper toute alimentation au régulateur, dévisser la vis du couvercle et enlever celui-ci.
2. Débrancher les fils du régulateur.
3. Brancher un ohmmètre entre les bornes de l'interrupteur.
4. Abaisser le point de consigne du régulateur (pour simuler une hausse de pression) d'un écart plus grand que le différentiel. Les contacts de l'interrupteur devraient se fermer ou s'ouvrir selon le modèle du

régulateur. (Un L404A devrait s'ouvrir et un L404B devrait se fermer.) S'ils se ferment, l'ohmmètre indiquera zéro; s'ils s'ouvrent, il indiquera l'infini.

5. Élever le point de consigne du régulateur (pour simuler une baisse de pression) d'un écart plus grand que le différentiel. Les contacts de l'interrupteur devraient s'ouvrir ou se fermer, contrairement à ce qui se produit à 4.
6. Une évaluation approximative du différentiel peut être effectuée en observant le changement de valeur du point de consigne à un changement de résistance de zéro à l'infini.
7. Remplacer le régulateur s'il ne fonctionne pas correctement.
8. Si le régulateur fonctionne correctement, raccorder les fils au bornier, remettre le couvercle et serrer la vis du couvercle. Rétablir l'alimentation.

## ⚠ MISE EN GARDE

**Risque de dommages à l'équipement.  
Un mauvais usage pourrait endommager l'équipement.**

Ne pas faire fonctionner le système tant que ne sont pas complétés de manière satisfaisante les tests décrits à la section Vérification de la présente notice technique et de celle qui accompagne le régulateur de surveillance de flamme, ainsi que tout autre test exigé par les fabricants du brûleur et de la chaudière.

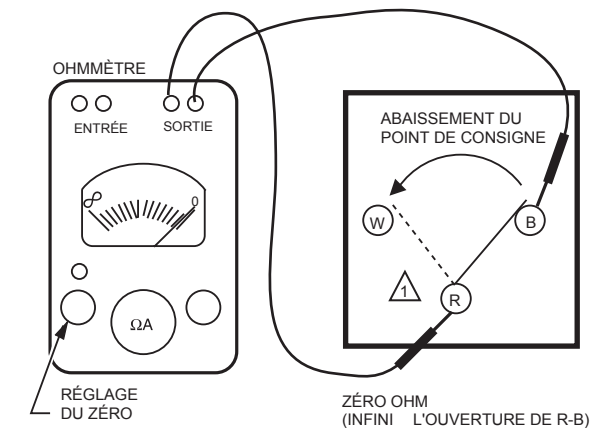
## ENTRETIEN

### Étalonnage

Le régulateur a été étalonné en usine avec soin; il ne devrait pas, par conséquent, nécessiter un nouveau réglage. Un fonctionnement imprécis est généralement attribuable à une mauvaise mise de niveau. Le régulateur est de niveau lorsque la pointe de l'indicateur de niveau est juste au-dessus de l'index (Fig. 7). Il arrive toutefois que dans certains cas l'indicateur ne soit pas assez précis : la pointe est vis-à-vis l'index, mais le régulateur ne fonctionne pas toujours à l'intérieur des tolérances des réglages des échelles. Dans ce cas, plier le purgeur (siphon) avec soin jusqu'à ce que la commutation se fasse correctement.

### Entretien

Le couvercle du régulateur doit toujours être en place afin de protéger les composants contre la saleté, la poussière et les dommages. L'entretien de routine doit comprendre des inspections et l'enlèvement de la poussière et de la saleté avec une brosse ou en soufflant sur les composants. Pour assurer le fonctionnement adéquat du régulateur en tout temps, une vérification du fonctionnement de tout le système doit être effectuée lors des inspections de routine.



⚠ LES L404A ET B N'ONT QUE DEUX BORNES (INTERRUPTEUR UNIPOL. UNIDIR.); LES CONTACTS R-C DU L404A S'OUVRENT ET CEUX DU L404B SE FERMENT LORSQUE LE POINT DE CONSIGNE EST ABAISSÉ SUFFISAMMENT.

MF19539

**Fig. 8. Vérification du fonctionnement du régulateur à l'aide d'un ohmmètre.**

**Honeywell**

#### Solutions de régulation et d'automatisation

Honeywell International Inc.  
1985 Douglas Drive North  
Golden Valley, MN 55422

Honeywell Limited-Honeywell Limitée  
35, Dynamic Drive  
Scarborough (Ontario)  
M1V 4Z9

