

# Direct Coupled Valve Actuators

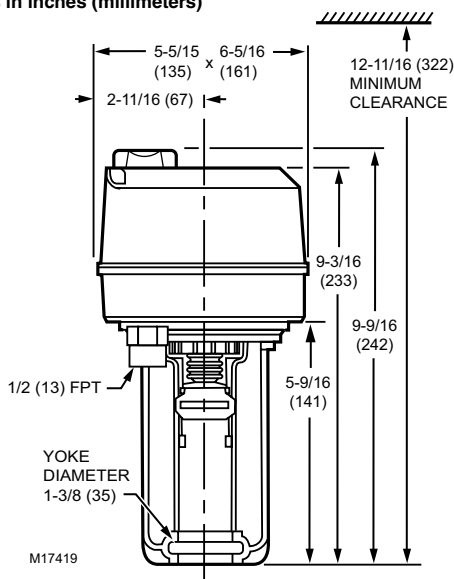
## ML6420; ML7420 Non-Spring Return Direct Coupled Globe Valve Actuators



The Non-Spring Return Electric Linear Valve Actuators have floating or modulating control. These actuators operate standard Honeywell valves in heating, ventilating, and air conditioning (HVAC) applications.

- Easy and quick installation on valves with 1 3/8 in. bonnet and 3/4 in. stroke
- No separate linkage required
- Conduit connector standard
- No adjustments required on linkage
- Accurate valve positioning
- Low power consumption
- High close-off ratings
- Force limiting end switches
- Manual operator
- Synchronous motor
- Maintenance free
- ML7420 has an internal selector plug that can be used to reverse the direction of action

Dimensions in inches (millimeters)



**Application:** HVAC

**Actuator Type:** Valve

**Frequency:** 50 Hz; 60 Hz

**Fail Safe Mode:** Stays in place

**Torque Rating (lb-in.):** 135 lb-in.

**Torque Rating (Nm):** 600 Nm

**Internal Auxiliary Switch:** 0

**Switches:** Yes

**Stroke:** 3/4 in. (20 mm)

**Electrical Connections:** Screw terminals

**Cable:** Conduit connector and one knockout on actuator case

**Mounting:** Directly on V5011/V5013 Globe Valves and VGF Flanged Globe Valves (3/4" or 20 mm stroke)

**Weight:** 2.9 lb (1.3 kg)

**Environmental, Electrical, or Ingress Protection Rating:** Class I Insulation (24 Vac), IP54

**Materials:** ABS-FR Plastic, aluminum yoke

**Manual operation:** Knob

**Approximate, Dimensions:** 9 9/16 in. high x 5 5/16 in. wide x 6 5/16 in. deep (242 mm high x 135 mm wide x 161 mm deep)

**Ambient Temperature Range:** 14°F to 122°F (-10°C to +50°C)

**Shipping and Storage Temperature Range:** -40°F to +158°F (-40°C to +70°C)

**Approvals, Underwriters Laboratories Inc.:** Flammability Rating UL94V-5V

**Approvals, CSA:** Certified

**Approvals, CE:** Listed

**Operating Humidity Range (% RH):** 5 to 95% RH

**Fluid Temperature:** 300°F Maximum (150°C Maximum)

**Supply Voltage:** 24 Vac ±15%

**Accessories:**

**312495/U** – Large stem button provides anti-spin for CREVAL actuators with globe valves up to 3 in.

**43196000-001** – High Temperature Kit for actuators with 3/4 inch (20 mm) stroke, stem button attachment

Material Number	Control Signal	Feedback	Timing, Nominal	Power Consumption	Input Impedance	Includes
ML6420A3049	SPDT; Two position; Floating		Driving @ 60 Hz – 60 sec	Driving – 6 VA		1/2 in. conduit hub; 1/2 in. flexible conduit adapter
ML6420A3056	SPDT; Two position; Floating		Driving @ 60 Hz – 30 sec	Driving – 6 VA		1/2 in. conduit hub; 1/2 in. flexible conduit adapter
ML7420A3055	0 to 10 Vdc; 2 to 10 Vdc	2-10 Vdc	Driving @ 60 Hz – 60 sec	Driving – 7 VA	1K ohm	1/2 in. flexible conduit adapter; 1/2 in. conduit hub
ML7420A3063	0 to 10 Vdc; 2 to 10 Vdc	2-10 Vdc	Driving @ 60 Hz – 30 sec	Driving – 7 VA	1K ohm	1/2 in. conduit hub; 1/2 in. flexible conduit adapter