

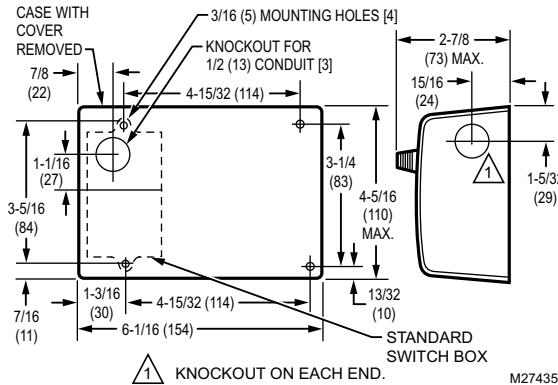
## T631A, B, C Farm Controllers



**Provide line voltage control of heating, cooling and ventilating systems in farm buildings or storage areas.**

- Use in barns, poultry houses, hog barns, pump houses, milk houses and crop storage houses.
- Treated to resist corrosion.
- Slots in front and bottom of case provide maximum air circulation over the coiled sensing element.
- SPDT snap switches permanently sealed against corrosion.
- Easy mounting using screws through holes in back of case.

**Dimensions in inches (millimeters)**



**Application:** Provide line voltage control of heating, cooling and ventilating systems in farm buildings or storage areas  
**Type:** Agricultural Temperature Controller  
**Frequency:** 50 Hz; 60 Hz  
**Approximate, Dimensions:** 4 5/16 in. high x 6 1/16 in. wide x 2 7/8 in. deep (110 mm high x 154 mm wide x 73 mm deep)  
**Sensor Element:** Coiled Copper Tube  
**Color:** T631A, B-Red finish; T631C-Gray finish  
**Approvals, Underwriters Laboratories Inc.:** File No. E4436 Vol. 1 Sec. UL Guide XAPX  
**Approvals, CSA:** Certified: File No. LR1620, Guide No. 400-E-O

Material Number	Contact Ratings
T631A1006/U	24 Vac – 2.0A AFL; 120 Vac – 7.4 AFL, 44.4 ALR; 240 Vac – 3.7 AFL, 22.2 ALR
T631A1022/U	24 Vac – 2.0A AFL; 120 Vac – 7.4 AFL, 44.4 ALR; 240 Vac – 3.7 AFL, 22.2 ALR
T631A1030/U	24 Vac – 2.0A AFL; 120 Vac – 7.4 AFL, 44.4 ALR; 240 Vac – 3.7 AFL, 22.2 ALR
T631A1063/U	24 Vac – 2.0A AFL; 120 Vac – 7.4 AFL, 44.4 ALR; 240 Vac – 3.7 AFL, 22.2 ALR
T631A1113/U	120 Vac – 16.0 AFL, 96.0 ALR; 240 Vac – 8.0 AFL, 48.0 ALR
T631A1154/U	24 Vac – 2.0A AFL; 120 Vac – 7.4 AFL, 44.4 ALR; 240 Vac – 3.7 AFL, 22.2 ALR
T631A1162/U	24 Vac – 2.0A AFL; 120 Vac – 16.0 AFL, 96.0 ALR; 240 Vac – 8.0 AFL, 48.0 ALR
T631B1005/U	24 Vac – 2.0A AFL; 120 Vac – 7.4 AFL, 44.4 ALR; 240 Vac – 3.7 AFL, 22.2 ALR
T631B1054/U	120 Vac – 16.0 AFL, 96.0 ALR; 240 Vac – 8.0 AFL, 48.0 ALR
T631B1070/U	24 Vac – 2.0A AFL; 120 Vac – 16.0 AFL, 96.0 ALR; 240 Vac – 8.0 AFL, 48.0 ALR
T631C1012/U	120 Vac – 16.0 AFL, 96.0 ALR; 240 Vac – 8.0 AFL, 48.0 ALR
T631C1020/U	24 Vac – 2.0A AFL; 120 Vac – 7.4 AFL, 44.4 ALR; 240 Vac – 3.7 AFL, 22.2 ALR
T631C1038/U	24 Vac – 2.0A AFL; 120 Vac – 7.4 AFL, 44.4 ALR; 240 Vac – 3.7 AFL, 22.2 ALR
T631C1046/U	24 Vac – 2.0A AFL; 120 Vac – 7.4 AFL, 44.4 ALR; 240 Vac – 3.7 AFL, 22.2 ALR
T631C1053/U	24 Vac – 2.0A AFL; 120 Vac – 7.4 AFL, 44.4 ALR; 240 Vac – 3.7 AFL, 22.2 ALR
T631C1103/U	120 Vac – 16.0 AFL, 96.0 ALR; 240 Vac – 8.0 AFL, 48.0 ALR
T631C1160/U	24 Vac – 2.0A AFL; 120 Vac – 7.4 AFL, 44.4 ALR; 240 Vac – 3.7 AFL, 22.2 ALR

Material Number	Operating Temperature Range	Setpoint Temperature Range	Differential Temperature	Output	Interstage Differential Temperature	Voltage	Comments
T631A1006/U	120°F Maximum (49°C Maximum)	35°F to 100°F	2°F (1.1°C)	1 SPDT		24 Vac or 120/240 Vac	
T631A1022/U	150°F Maximum (66°C Maximum)	70°F to 140°F	2°F (1.1°C)	1 SPDT		24 Vac or 120/240 Vac	
T631A1030/U	125°F Maximum (52°C Maximum)	0°F to 70°F	3°F (1.7°C)	1 SPDT		24 Vac or 120/240 Vac	
T631A1063/U	125°F Maximum (52°C Maximum)	-10°F to +100°F	3°F (1.7°C)	1 SPDT		24 Vac or 120/240 Vac	
T631A1113/U	120°F Maximum (49°C Maximum)	35°F to 100°F	3.5°F (1.9°C)	1 SPDT (1 hp at 0.7 kW)		120 Vac; 240 Vac	
T631A1154/U	120°F Maximum (49°C Maximum)	(0°C to 40°C)	2°F (1.1°C)	1 SPDT		24 Vac or 120/240 Vac	Celsius model
T631A1162/U	120°F Maximum (49°C Maximum)	35°F to 100°F	2°F (1.1°C)	1 SPDT (1 hp at 0.7 kW)		24 Vac or 120/240 Vac	
T631B1005/U	120°F Maximum (49°C Maximum)	35°F to 100°F	2°F (1.1°C)	2 SPDT	1.9°C (3.5°F)	120 Vac; 240 Vac	
T631B1054/U	120°F Maximum (49°C Maximum)	35°F to 100°F	2°F (1.1°C)	2 SPDT (1 hp at 0.7 kW)	0°C to 4°C adjustable (0°F to 7°F adjustable)	120 Vac; 240 Vac	
T631B1070/U	120°F Maximum (49°C Maximum)	35°F to 100°F	2°F (1.1°C)	2 SPDT (1 hp at 0.7 kW)	1.9°C (3.5°F)	24 Vac or 120/240 Vac	
T631C1012/U	125°F Maximum (52°C Maximum)	20°F to 90°F	3°F (1.7°C)	1 SPDT (1 hp at 0.7 kW)		120 Vac; 240 Vac	
T631C1020/U	150°F Maximum (66°C Maximum)	70°F to 140°F	2°F (1.1°C)	1 SPDT		24 Vac or 120/240 Vac	

# Temperature Controllers

Material Number	Operating Temperature Range	Setpoint Temperature Range	Differential Temperature	Output	Interstage Differential Temperature	Voltage	Comments
T631C1038/U	125°F Maximum (52°C Maximum)	(-10°C to +30°C)	3°F (1.7°C)	1 SPDT		24 Vac or 120/240 Vac	Celsius model
T631C1046/U	150°F Maximum (66°C Maximum)	(20°C to 60°C)	2°F (1.1°C)	1 SPDT		24 Vac or 120/240 Vac	Celsius model
T631C1053/U	120°F Maximum (49°C Maximum)	35°F to 100°F	2°F (1.1°C)	1 SPDT		120 Vac; 240 Vac	
T631C1103/U	125°F Maximum (52°C Maximum)	-30°F to +100°F	5°F (2.8°C)	1 SPDT (1 hp at 0.7 kW)		24 Vac or 120/240 Vac	
T631C1160/U	150°F Maximum (66°C Maximum)	(20°C to 60°C)	2°F (1.1°C)	1 SPDT		24 Vac or 120/240 Vac	Scale in Celsius

## T631F, G NEMA IV Controllers



**Provide line voltage control of heating, cooling and ventilating systems in farm buildings, storage areas and industrial environments; watertight, dust-proof enclosure.**

- Use in barns, brooder houses, poultry houses, hog barns, pump houses, milk houses, crop storage houses and industrial environments. NEMA 4X enclosure protects thermostat and wiring connections from oil, water, dust, and corrosion.
- Clear plastic cover reveals setpoint, discourages tampering.
- Sensing element externally mounted for fast response and tin plated to resist corrosion.
- Reliable snap switches sealed against contamination.
- Insulated case has internal grounding screw for safety.
- Meet National Electrical Code Article 547-4 requirements.
- Easy mounting with screws through holes in flanges on case.

**Application:** Provide line voltage control of heating, cooling and ventilating systems in farm buildings or storage areas

**Type:** Agricultural Temperature Controller

**Frequency:** 50 Hz; 60 Hz

**Approximate, Dimensions:** 5 in. high x 6 1/2 in. wide x 3 13/16 in. deep (127 mm high x 165 mm wide x 97 mm deep)

**Sensor Element:** Coiled, Tin-plated Copper Tube

**Setpoint Temperature Range:** 35°F to 100°F

**Operating Temperature Range:** 145°F Maximum (63°F Maximum)

**Differential Temperature:** 2°F (1.1°C)

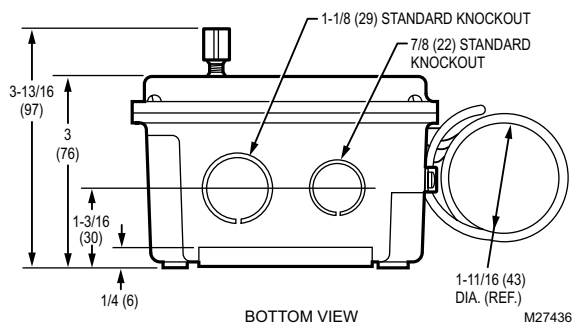
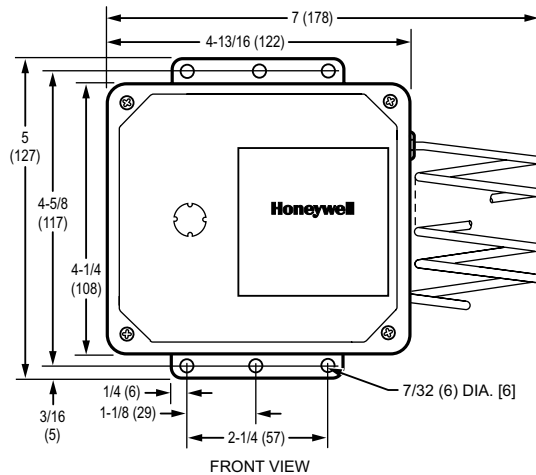
**Interstage Differential Temperature:** 0°C to 4°C adjustable (0°F to 7°F adjustable)

**Color:** Gray finish

**Approvals, Underwriters Laboratories Inc.:** File No. E4436 Vol. 1 Sec. UL Guide XAPX

**Approvals, CSA:** Certified: File No. LR1620, Guide No. 400-E-O

Dimensions in inches (millimeters)



Material Number	Voltage	Output	Contact Ratings	Comments
T631F1068/U	24 Vac or 120/240 Vac	1 SPDT	24 Vac – 2.0A AFL; 120 Vac – 7.4 AFL, 44.4 ALR; 240 Vac – 3.7 AFL, 22.2 ALR	Internal Setpoint Adjustment
T631F1084/U	24 Vac or 120/240 Vac	1 SPDT	24 Vac – 2.0A AFL; 120 Vac – 7.4 AFL, 44.4 ALR; 240 Vac – 3.7 AFL, 22.2 ALR	External Setpoint Adjustment
T631F1092/U	120 Vac; 240 Vac	1 SPDT (1 hp)	120 Vac – 16.0 AFL, 96.0 ALR; 240 Vac – 8.0 AFL, 48.0 ALR	External Setpoint Adjustment
T631G1059/U	120 Vac; 240 Vac	2 SPDT (1 hp)	120 Vac – 16.0 AFL, 96.0 ALR; 240 Vac – 8.0 AFL, 48.0 ALR	External Setpoint Adjustment