

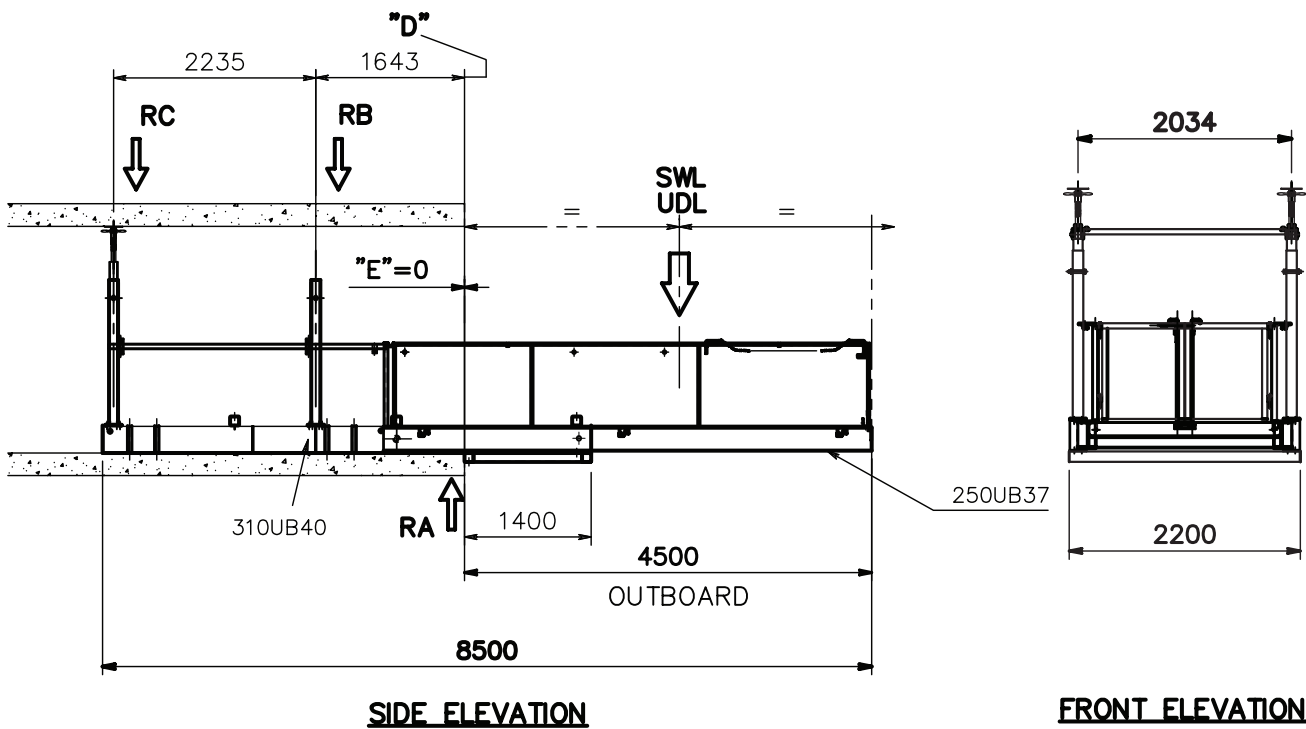
PROP REACTIONS

LOAD/REACTION	4500mm Outboard	4750mm Outboard	5000mm Outboard	5250mm Outboard
SWL-UDL (kg)	5000	4000	3200	2500
RA* (t)	5.5	5.0	4.6	4.2
RB* (t)	N/A	N/A	N/A	N/A
RC* (t)	2.1	2.1	2.1	2.1
Deflections at outer wheel (mm)	9	10	11	12
Deflections at free end (mm)	41	41	40	40

OUTBOARD	4500mm Outboard	4750mm Outboard	5000mm Outboard	5250mm Outboard
E = (Distance from slab edge to back end of H frame) (mm)	0	250	500	750
D = (Distance from centre line of inner prop to slab edge) (mm)	1643	1393	1143	893

DIMENSIONS		
Length	8500mm	Width 2200mm
Height	1202mm	

TARE	
Weight	2500kg



*Reactions on each side of the platform. Assumed load always centre both ways on the outboard of the platform. All loads are static loads i.e. no load factors applied. Horizontal forces not taken into account. Reactions provided based on rigid supports i.e. effects on deflections of supporting slabs not factored into design.

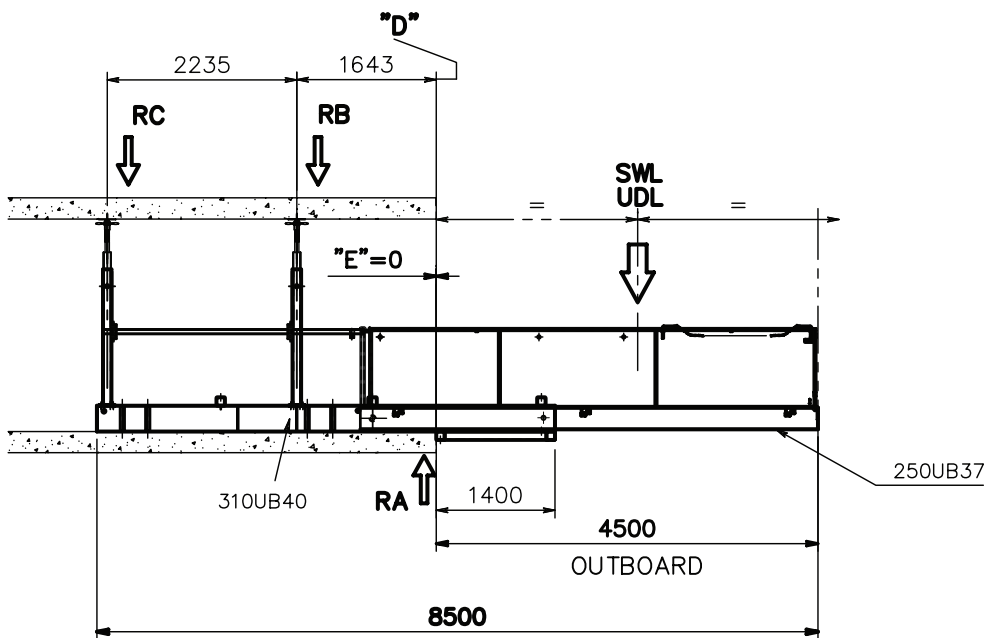
PROP REACTIONS

LOAD/REACTION	4500mm Outboard	4750mm Outboard	5000mm Outboard	5250mm Outboard
SWL-UDL (kg)	5000	4000	3200	2500
RA* (t)	9.2	9.3	9.8	10.7
RB* (t)	6.2	6.6	7.4	8.4
RC* (t)	-0.4	-0.3	-0.1	-0.1
Deflections at outer wheel (mm)	△5	△6	△7	△8
Deflections at free end (mm)	△27	△27	△27	△28

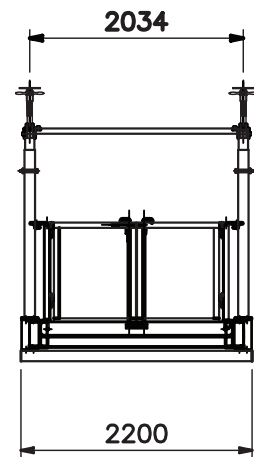
OUTBOARD	4500mm Outboard	4750mm Outboard	5000mm Outboard	5250mm Outboard
E = (Distance from slab edge to back end of H frame) (mm)	0	250	500	750
D = (Distance from centre line of inner prop to slab edge) (mm)	1643	1393	1143	893

DIMENSIONS			
Length	8500mm	Width	2200mm
Height	1202mm		

TARE	
Weight	2500kg



SIDE ELEVATION



FRONT ELEVATION

*Reactions on each side of the platform.
Assumed load always centre both ways on the outboard of the platform. All loads are static loads i.e. no load factors applied. Horizontal forced not taken into account. Reactions provided based on rigid supports i.e. effects on deflections of supporting slabs not factored into design.

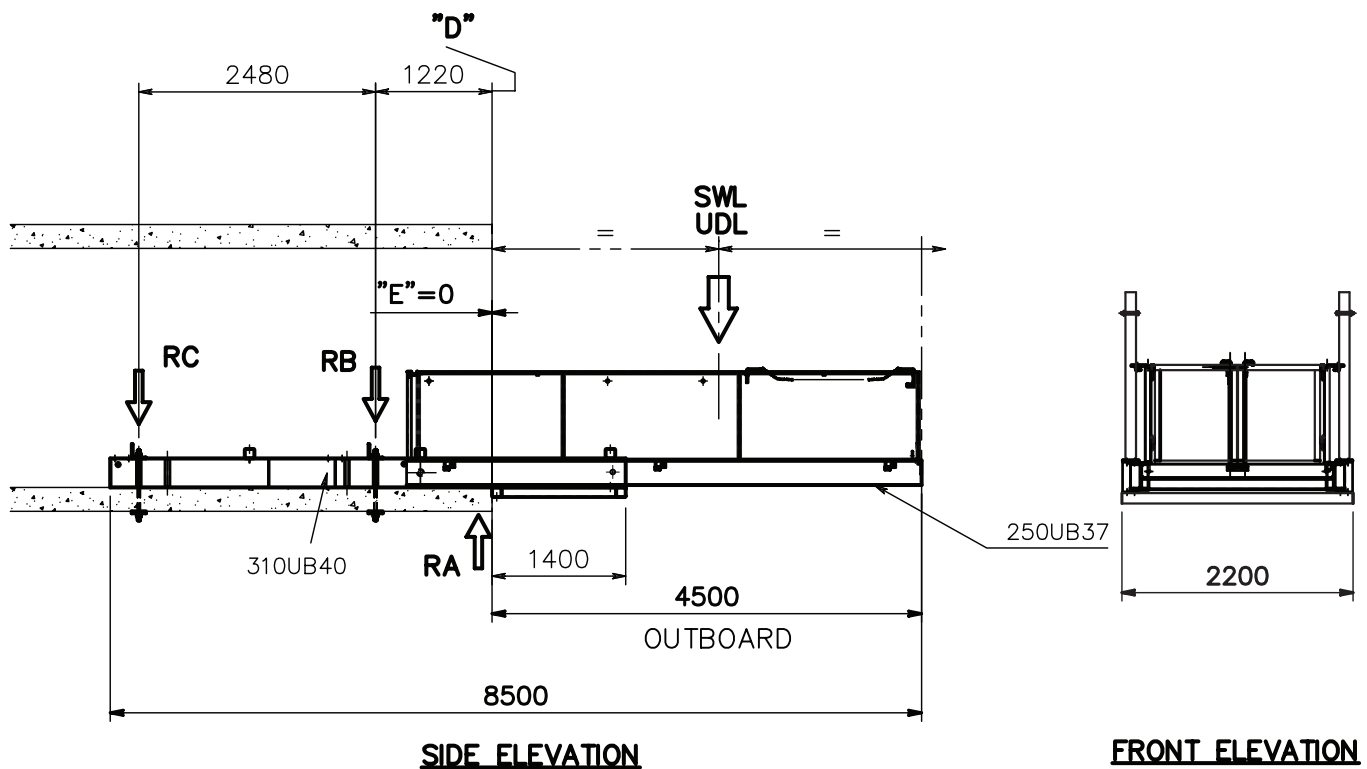
BOLTDOWN REACTIONS

LOAD/REACTION	4500mm Outboard	4750mm Outboard	5000mm Outboard	5250mm Outboard
SWL-UDL (kg)	5000	4000	3200	2500
RA* (t)	9.4	9.6	10.1	11.1
RB* (t)	6.5	6.9	7.7	8.7
RC* (t)	-0.5	-0.5	-0.1	-0.2
Deflections at outer wheel (mm)	△8	△9	△10	△11
Deflections at free end (mm)	△38	△37	△37	△37

OUTBOARD	4500mm Outboard	4750mm Outboard	5000mm Outboard	5250mm Outboard
E = (Distance from slab edge to back end of H frame) (mm)	0	250	500	750
D = (Distance from centre line of inner prop to slab edge) (mm)	1220	970	720	470

DIMENSIONS		
Length	8500mm	Height 1202mm
Width	2200mm	

TARE	
Weight	2500kg



*Reactions on each side of the platform.
Assumed load always centre both ways on the outboard of the platform. All loads are static loads i.e. no load factors applied. Horizontal forces not taken into account. Reactions provided based on rigid supports i.e. effects on deflections of supporting slabs not factored into design.



SPECIALISED EQUIPMENT HIRE SOLUTIONS

Service Facility Locations

Preston Hire - NSW
Unit 3,10 Tarlington Place,
Smithfield, NSW 2164
nswsales@prestonhire.com.au

Preston Hire - ACT
38 John Bull Street,
Queanbeyan West, NSW 2620
actsales@prestonhire.com.au

Preston Hire - New Zealand
563 Rosebank Rd,
Avondale, Auckland 1026
nzsales@prestonhire.com.au

Preston Hire - QLD
83 Parramatta Road,
Underwood, QLD 4119
qldsales@prestonhire.com.au

Preston Hire - VIC/TAS
38-40 Sunline Dr,
Truganina, VIC 3029
vicsales@prestonhire.com.au

Preston Hire - WA/NT
Unit 2,8 Hunt Street,
Malaga, WA 6090
wasales@prestonhire.com.au

Preston Hire - SA
102 Cormack Road,
Wingfield, SA 5013
sasales@prestonhire.com.au

**Preston Hire available across Oceania*



COUNT ON US

1800 440 550 | prestonhire.com.au