

**PROP REACTIONS**

**LOAD/REACTION**

	4500mm Outboard	4750mm Outboard	5000mm Outboard	5250mm Outboard
SWL-UDL (kg)	5000	4000	3200	2500
RA* (t)	5.9	5.4	5.1	4.8
RB* (t)	N/A	N/A	N/A	N/A
RC* (t)	2.2	2.2	2.3	2.3
Deflections at outer wheel (mm)	10	11	13	14
Deflections at free end (mm)	44	44	45	45

**OUTBOARD**

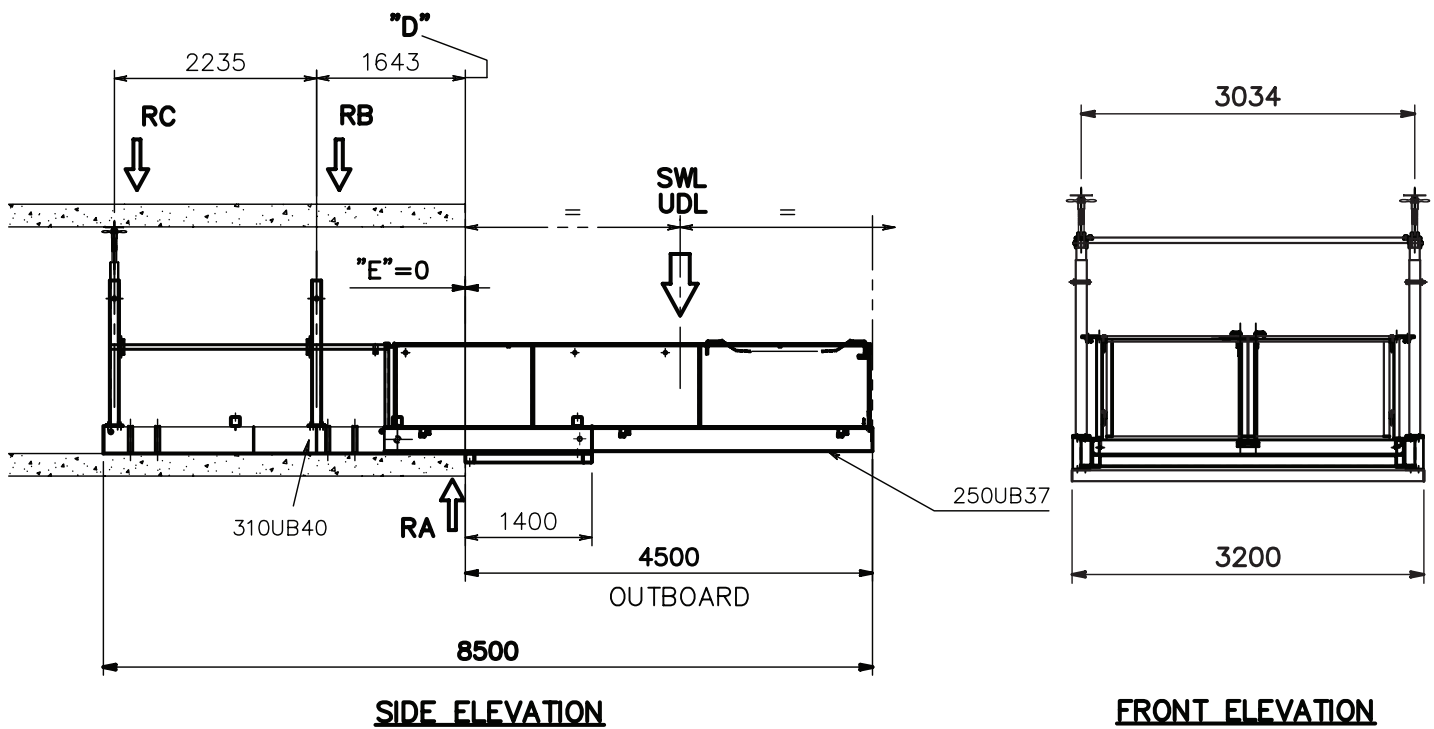
	4500mm Outboard	4750mm Outboard	5000mm Outboard	5250mm Outboard
E = (Distance from slab edge to back end of H frame) (mm)	0	250	500	750
D = (Distance from centre line of inner prop to slab edge) (mm)	1643	1393	1143	893

**DIMENSIONS**

**Length** 8500mm    **Width** 3200mm    **Height** 1202mm

**TARE**

**Weight** 3000 kg



\*Reactions on each side of the platform.

Assumed load always centre both ways on the outboard of the platform. All loads are static loads i.e. no load factors applied. Horizontal forces not taken into account. Reactions provided based on rigid supports i.e. effects on deflections of supporting slabs not factored into design.

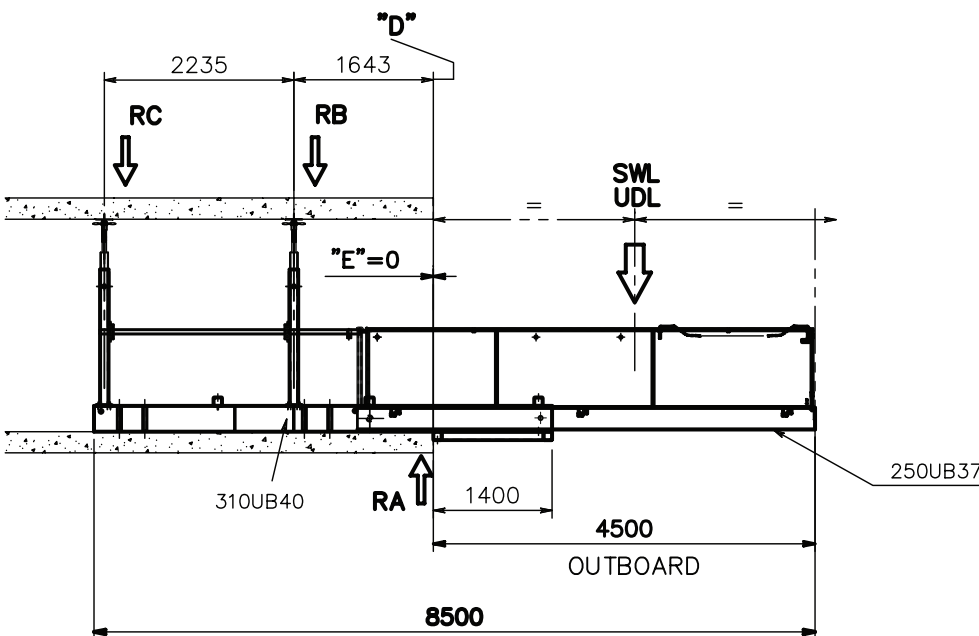
**PROP REACTIONS**

LOAD/REACTION	4500mm Outboard	4750mm Outboard	5000mm Outboard	5250mm Outboard
SWL-UDL (kg)	5000	4000	3200	2500
RA* (t)	9.9	10.1	10.8	12.0
RB* (t)	6.6	7.2	8.1	9.5
RC* (t)	-0.4	-0.3	-0.1	-0.1
Deflections at outer wheel (mm)	△5	△6	△7	△9
Deflections at free end (mm)	△29	△29	△30	△31

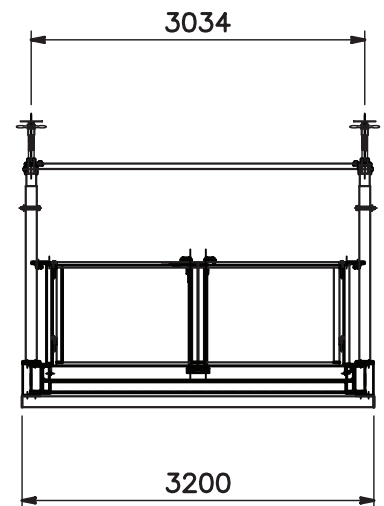
OUTBOARD	4500mm Outboard	4750mm Outboard	5000mm Outboard	5250mm Outboard
E = (Distance from slab edge to back end of H frame) (mm)	0	250	500	750
D = (Distance from centre line of inner prop to slab edge) (mm)	1643	1393	1143	893

DIMENSIONS			
Length	8500mm	Width	3200mm
Height	1202mm		

TARE	
Weight	3000 kg



**SIDE ELEVATION**



**FRONT ELEVATION**

\*Reactions on each side of the platform.  
Assumed load always centre both ways on the outboard of the platform. All loads are static loads i.e. no load factors applied. Horizontal forced not taken into account. Reactions provided based on rigid supports i.e. effects on deflections of supporting slabs not factored into design.

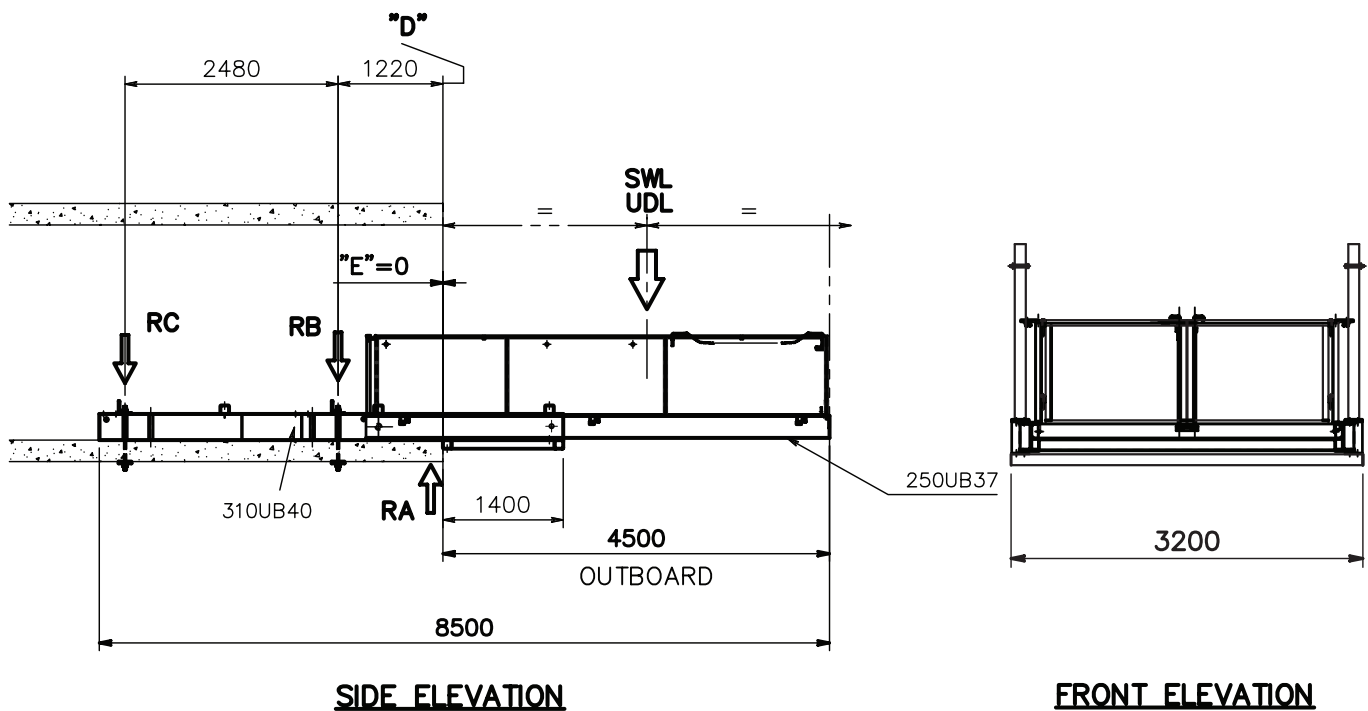
**BOLTDOWN REACTIONS**

LOAD/REACTION				
	4500mm Outboard	4750mm Outboard	5000mm Outboard	5250mm Outboard
SWL-UDL (kg)	5000	4000	3200	2500
RA* (t)	10.1	10.4	11.1	12.4
RB* (t)	6.9	7.5	8.4	9.7
RC* (t)	-0.5	-0.3	-0.1	0.2
Deflections at outer wheel (mm)	△5	△6	△7	△9
Deflections at free end (mm)	△29	△29	△30	△31

OUTBOARD				
	4500mm Outboard	4750mm Outboard	5000mm Outboard	5250mm Outboard
E = (Distance from slab edge to back end of H frame) (mm)	0	250	500	750
D = (Distance from centre line of inner prop to slab edge) (mm)	1220	970	720	470

DIMENSIONS			
Length	8500mm	Width	3200mm
Height	1202mm		

TARE	
Weight	3000 kg



\*Reactions on each side of the platform.

Assumed load always centre both ways on the outboard of the platform. All loads are static loads i.e. no load factors applied. Horizontal forces not taken into account. Reactions provided based on rigid supports i.e. effects on deflections of supporting slabs not factored into design.



## SPECIALISED EQUIPMENT HIRE SOLUTIONS

### Service Facility Locations

**Preston Hire - NSW**  
Unit 3,10 Tarlington Place,  
Smithfield, NSW 2164  
nswsales@prestonhire.com.au

**Preston Hire - ACT**  
38 John Bull Street,  
Queanbeyan West, NSW 2620  
actsales@prestonhire.com.au

**Preston Hire - New Zealand**  
563 Rosebank Rd,  
Avondale, Auckland 1026  
nzsales@prestonhire.com.au

**Preston Hire - QLD**  
83 Parramatta Road,  
Underwood, QLD 4119  
qldsales@prestonhire.com.au

**Preston Hire - VIC/TAS**  
38-40 Sunline Dr,  
Truganina, VIC 3029  
vicsales@prestonhire.com.au

**Preston Hire - WA/NT**  
Unit 2,8 Hunt Street,  
Malaga, WA 6090  
wasales@prestonhire.com.au

**Preston Hire - SA**  
102 Cormack Road,  
Wingfield, SA 5013  
sasales@prestonhire.com.au

*\*Preston Hire available across Oceania*



COUNT ON US

1800 440 550 | [prestonhire.com.au](http://prestonhire.com.au)