



NETWORK RACK AND ACCESSORIES



CSM Distribution Sdn Bhd (1030516-T)
26, Jalan BP 5/9, Bandar Bukit Puchong,
47120 Puchong, Selangor Darul Ehsan.
www.csmd.my

NETWORK RACK AND ACCESSORIES

• ENTRY LEVEL/WALL MOUNT RACK



Front Side



Back Side

SPECIFICATION

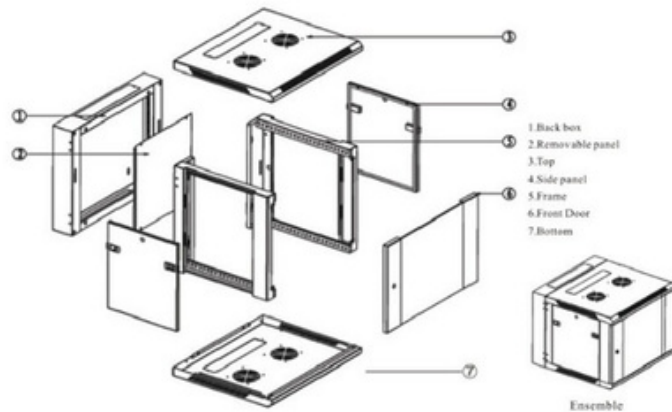
Entry Wall Mount Rack

- Perforated front door with lock
- Profile: 0.8mm x 0.5mm
- Finished high quality epoxy power - Color: Black

Wall Mount Rack

- Single section, compatible with 19" standard equipment
- Perforated front door with over 180 turning degree
- Removable side panel, easy to install and lock optional
- Cable entry on the top and bottom
- L-Shaped mounting profile , easy to adjustable on the mounting rail
- Fan cut on the top, easy to install fan
- Back panel with four mounting holes, easy to fix on the wall
- Various accessories for option

MAIN STRUCTURE



Product Code	CSMD-EMR / CSMD-WMR
Standard	Comply with ANS/EIA RS-310-D, IEC297-2, DIN41491, PART1, DIN41491, PART2 ETSI Standard
Material	SPOC Quality Cold Rolled Steel, Mounting Profile: Thickness 2.0mm, Others: 1.2mm, Colour: Black
Loading Capacity	Static Loading: 800kg (On the Adjustable Feet)
Degree of Protection	IP20
Surface Finish	Degreasing, Picking, Phosphating, Powder Coated
Product Sepcification	18U-42U
	Width: 600mm and 800mm
	Depth: 600mm, 800mm, 1000mm, 1100mm, 1200mm

NETWORK RACK AND ACCESSORIES

• FLOOR STAND RACK



SPECIFICATION

Floor Stand Rack

- Vented front and rear with excellent ventilation rate above 70%
- Removable side panels with lock optional
- Adjustable cable entry on the top and bottom cover
- Welded steel frame for front and back, flat packing is available
- S-Shaped mounting profile, free to move forward and back
- Various optional accessories for common using
- Mounting profile thickness is 2.0mm, and other thickness is 1.2mm
- 25 sets cages and nuts, flat packing
- Color: Black

Product Code	CSMD-FSR
Standard	Comply with ANS/EIA RS-310-D, IEC297-2, DIN41491, PART1, DIN41491, PART2 ETSI Standard
Material	SPCC Quality Cold Rolled Steel, Mounting Profile: Thickness 2.0mm, Others: 1.2mm, Colour: Black
Loading Capacity	Static Loading: 60kg (On the Adjustable Feet)
Degree of Protection	IP20
Surface Finish	Degreasing, Pickling, Phosphating, Powder Coated
Product Specification	18U-50U
	Width: 600mm and 800mm
	Depth: 600mm, 800mm, 1000mm, 1100mm and 1200mm

NETWORK RACK AND ACCESSORIES

• MAIN STRUCTURE



Fan module



"U" marked mounting profile



Advanced spring locker



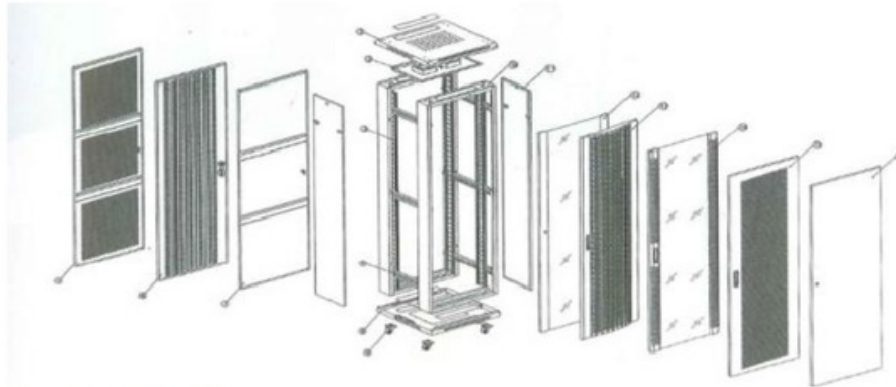
Removable side door



Lockable cable entry

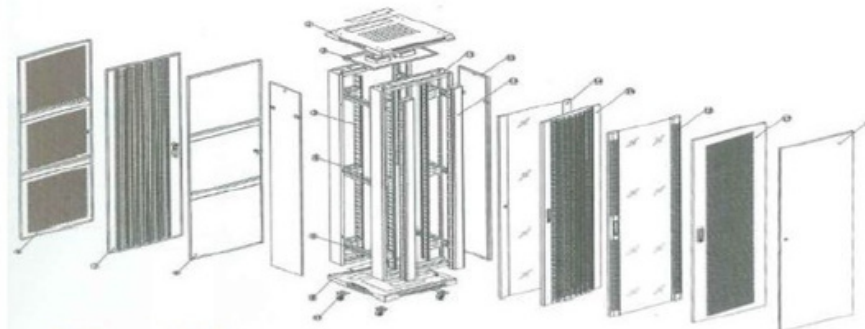


Earthing kit



Main structure (600mm Width):

- | | | | |
|-----------------------------|---------------------------------|--------------------------------|------------------|
| 1 Top cover | 2 Fan unit | 3 Mounting profile | 4 Mounting angle |
| 5 Door with hexagonal holes | 6 High-density vented rear door | 7 Steel rear door without hole | 8 Bottom panel |
| 9 Heavy duty castor | 10 Frame | 11 Side panel | 12 Front door |
| 13 Front door | 14 Front door | 15 Front door | 16 Front door |



Main structure (800mm Width):

- | | | | |
|--------------------------|----------------------------------|---------------------------------|--------------------------------|
| 1 Top cover | 2 Fan unit | 3 Mounting profile | 4 Spacer |
| 5 Mounting angle | 6 Rear door with hexagonal holes | 7 High-density vented rear door | 8 Steel rear door without hole |
| 9 Bottom panel | 10 Heavy duty castor | 11 Frame | 12 Side panel |
| 13 Cable management slot | 14 Front door | 15 Front door | 16 Front door |
| 17 Front door | 18 Front door | | |

NETWORK RACK AND ACCESSORIES

• TECHNICAL DATA - ENTRY LEVEL/WALL MOUNT RACK



Front Side



Back Side

TECHNICAL DATA

NO.	ITEM CODE	DESCRIPTION
A	ENTRY LEVEL MOUNT RACK	
1	CSMD-EMR/4-55-50	4U 550mm (W) x 500mm (D)
2	CSMD-EMR/6-55-50	6U 550mm (W) x 500mm (D)
3	CSMD-EMR/9-55-50	9U 550mm (W) x 500mm (D)
4	CSMD-EMR/12-55-50	12U 550mm (W) x 500mm (D)
5	CSMD-EMR/15-55-50	15U 550mm (W) x 500mm (D)
B	WALL MOUNT RACK	
1	CSMD-WMR/9-60-50	9U 600mm (W) x 500mm (D)
2	CSMD-WMR/12-60-50	12U 600mm (W) x 500mm (D)
3	CSMD-WMR/15-60-50	15U 600mm (W) x 500mm (D)
4	CSMD-WMR/18-60-50	18U 600mm (W) x 500mm (D)

NETWORK RACK AND ACCESSORIES

• TECHNICAL DATA - FLOOR STAND RACK



TECHNICAL DATA

NO.	ITEM CODE	DESCRIPTION
C	FLOOR STAND RACK	
1	CSMD-FSR/18-60-60	18U 600mm (W) x 600mm (D)
2	CSMD-FSR/22-60-80	22U 600mm (W) x 800mm (D)
3	CSMD-FSR/27-60-80	27U 600mm (W) x 800mm (D)
4	CSMD-FSR/37-60-80	37U 600mm (W) x 800mm (D)
5	CSMD-FSR/42-60-1000	42U 600mm (W) x 1000mm (D)
6	CSMD-FSR/42-60-1100	42U 600mm (W) x 1100mm (D)
7	CSMD-FSR/42-80-1000	42U 800mm (W) x 1000mm (D)
8	CSMD-FSR/42-80-1100	42U 800mm (W) x 1100mm (D)
9	CSMD-FSR/42-80-1200	42U 800mm (W) x 1200mm (D)
10	CSMD-FSR/45-60-1200	45U 600mm (W) x 1200mm (D)
11	CSMD-FSR/50-80-1200	50U 800mm (W) x 1200mm (D)

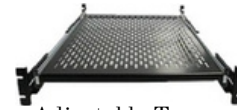
NETWORK RACK AND ACCESSORIES

• TECHNICAL DATA - ACCESSORIES FOR RACK

PDU for Rack



Power Socket



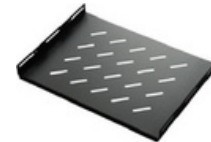
Adjustable Tray



1U 19" Brush Panel



1U Cable Management



Fixed Shelf (Tray)



IP Meter PDU



Ventilation Fan

TECHNICAL DATA

NO.	ITEM CODE	DESCRIPTION
D	ACCESSORIES FOR RACK	
1	CSMD/VF/12	Ventilation Fan - Size: 12cm x 12cm, 230V powered
2	CSMD-1U/BP-19"	1U 19" Brush Panel - Model: JD03A
3	CSMD-1U/CM	1U Cable Management - Model: JB01
4	CSMD-FS/500	Fixed Shelf (Tray) - 500mm (D)
5	CSMD-FS/800	Fixed Shelf (Tray) - 800mm (D)
6	CSMD-FS/1000	Fixed Shelf (Tray) - 1000mm (D)
7	CSMD-SS/800	Adjustable Tray - 800mm (D)
8	CSMD-SS/1000	Adjustable Tray - 1000mm (D)
9	CSMD-3G/PS	3-Gang Power Socket - Type: UK
10	CSMD-4G/PS	4-Gang Power Socket - Type: UK
11	CSMD-5G/PS	5-Gang Power Socket - Type: UK

NETWORK RACK AND ACCESSORIES

• TECHNICAL DATA - PDU FOR RACK



PDU-1U8UK



PDU-ZU12UK



PDU-1U6IEC



PDU-ZU18IEC



PDU-ZU16IEC/6IEC19



PDU-ZU16IEC/IP32A

TECHNICAL DATA

NO.	ITEM CODE	DESCRIPTION
E	PDU FOR RACK	PDU FOR RACK
1	CSMD-PDU/1U8UK	19" Alu PDU, Type: UK - Model: 1U8UK - 8 ports w/out switch, 1.5mm ² 2m cable, with UK type plug, Color: black
2	CSMD-PDU/ZU12UK	19" Alu PDU, Type: UK - Model: ZU12UK - 12 ports with switch (built-in cap), 1.5mm ² 2m cable, with UK type plug, Color: black, vertical type
3	CSMD-PDU/1U8IEC	19" IEC (13) TYPE PDU - Model: 1U8IEC - 8 ports with switch (built-in cap), 1.5mm ² 2m cable, with UK type plug, Color: black
4	CSMD-PDU/ZU18IEC	IEC (13) type PDU - Model: ZU18IEC - 19 ports with switch (built-in cap), 1.5mm ² 2m cable. With UK type plug, color: black, vertical type
5	CSMD-PDU/ZU16IEC/6IEC19	IEC (13) type PDU - Model: ZU16IEC/6IEC19 - 16 ports with Watt and APM with 32A Commando Plug, 4mm ² 2m cable, Color: black, vertical type
6	CSMD-PDU/ZU16IEC/IP32A	IEC (13) type PDU - Model: ZU16IEC/IP32A - 16 ports with Watt and APM with 32A Commando Plug, 4mm ² 2m cable, Color: black, vertical type c/w Network IP port