

S55 SERIES



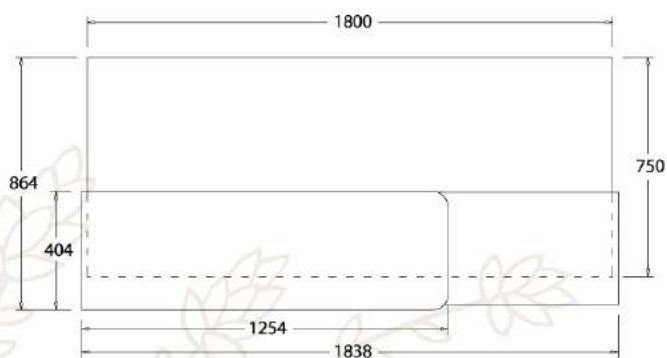
www.OFISU.com.my

SOPHISTICATED OFFICE FURNITURE SYSTEM



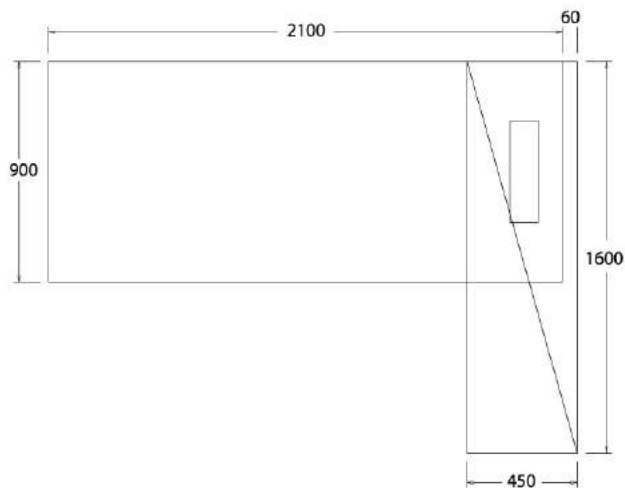
Sleek Designs

Managing your space more intelligently



Minimalistic Office

Bearing in mind that every person's needs are different, SL55-Series office furniture is created with flexibility and functionality in mind. It is ideal for your minimalistic office.



EXECUTIVE

Exclusive Furniture

Beautifully crafted executive office desks suitable for both the Manager or the Executive.



www.OFISU.com.my SMB 180A + B-YSP 1226(E)



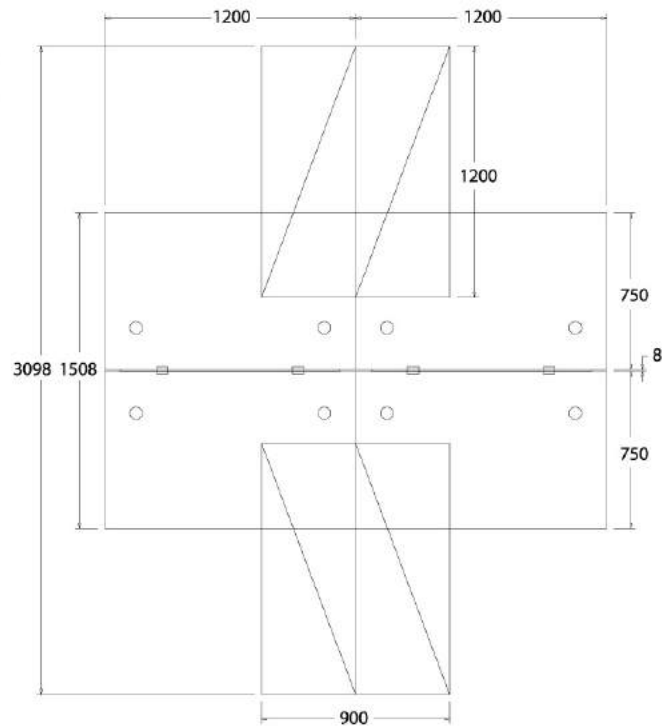
SWB 180A-SET



Own a spacious workstation without compromising on the storage.

www.OFISU.com.my

SPACIOUS WORKSTATION



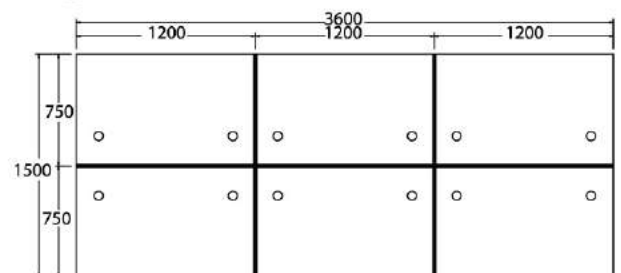
L-Shape Workstation



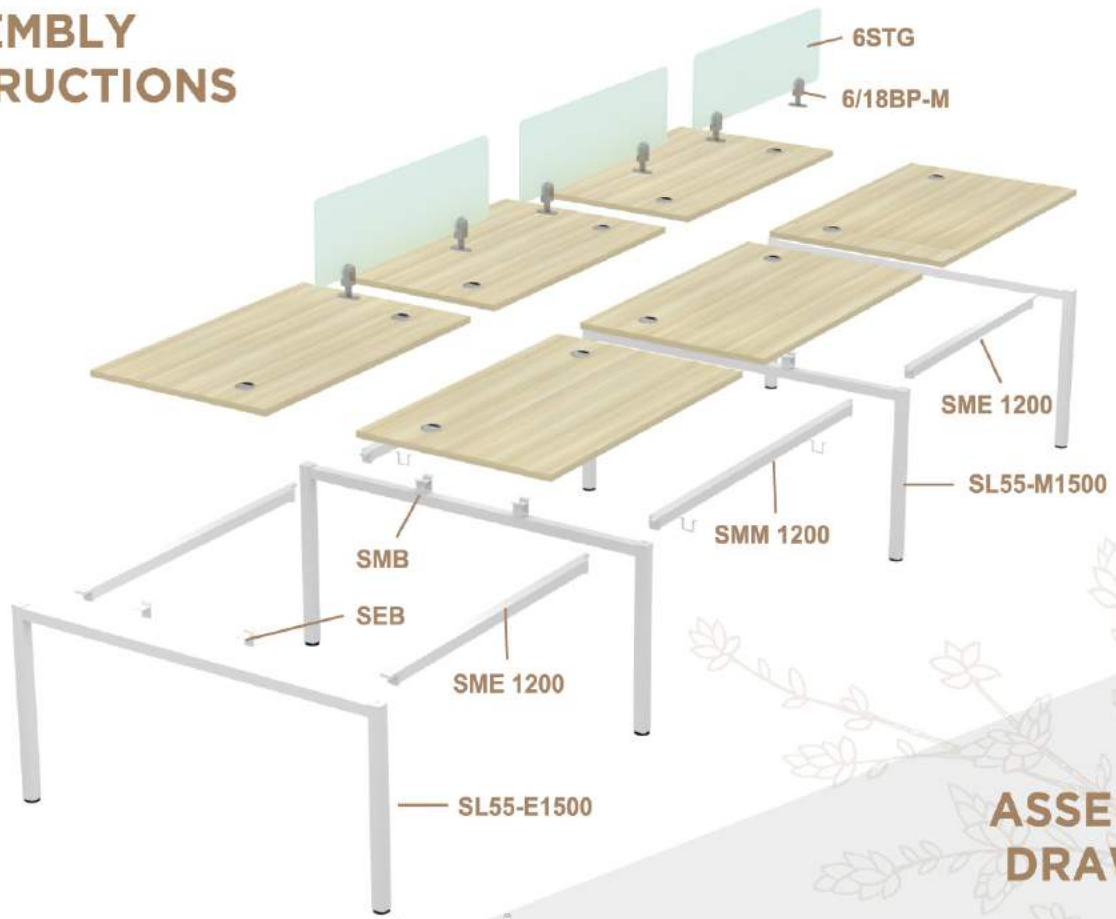
www.OFISU.com.my

WORKSTATION CLUSTER OF 6

Create and customize a workstation your team will love. Keep the office landscape conducive to exchange of ideas and collaboration.

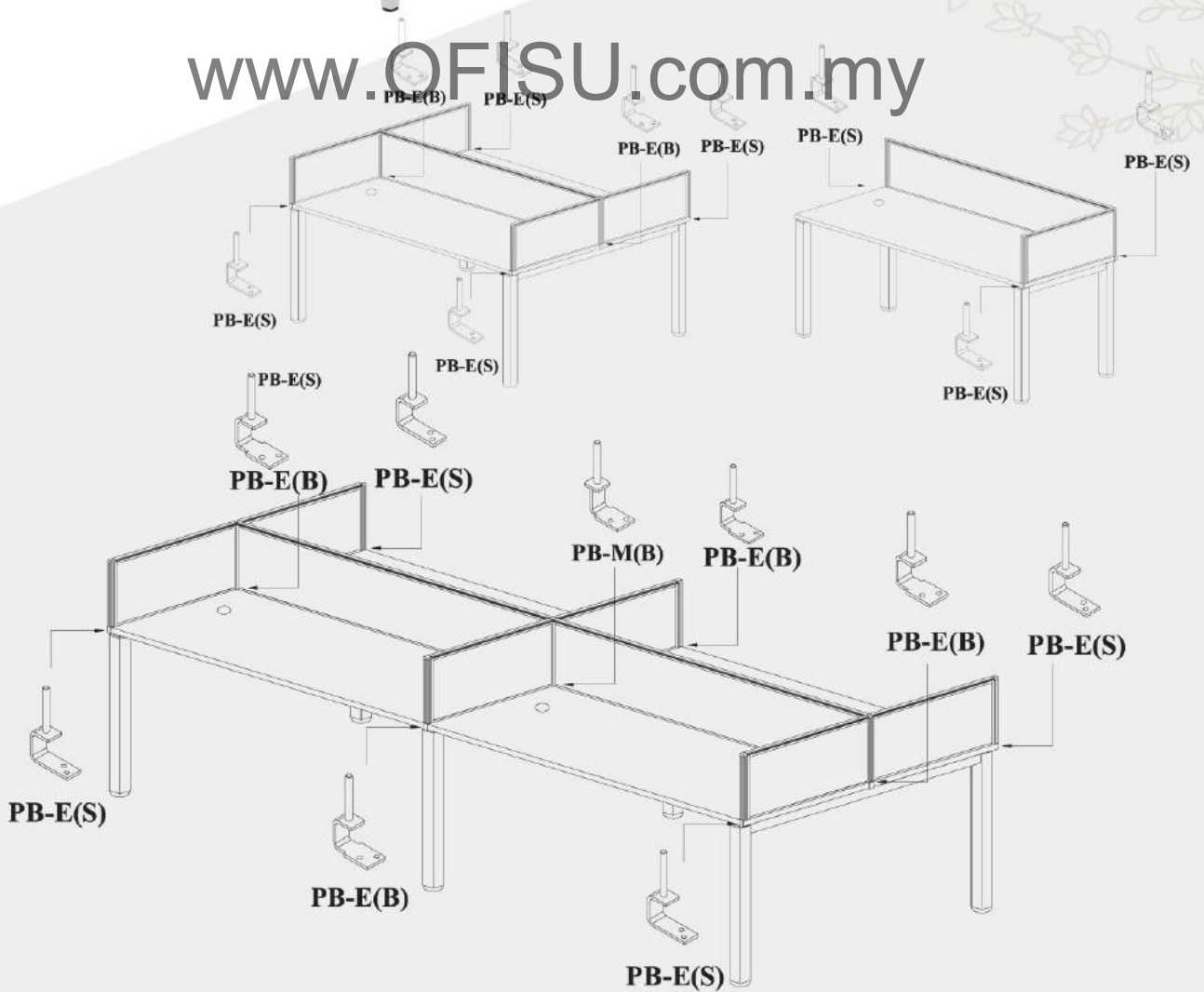


ASSEMBLY INSTRUCTIONS



ASSEMBLY DRAWING

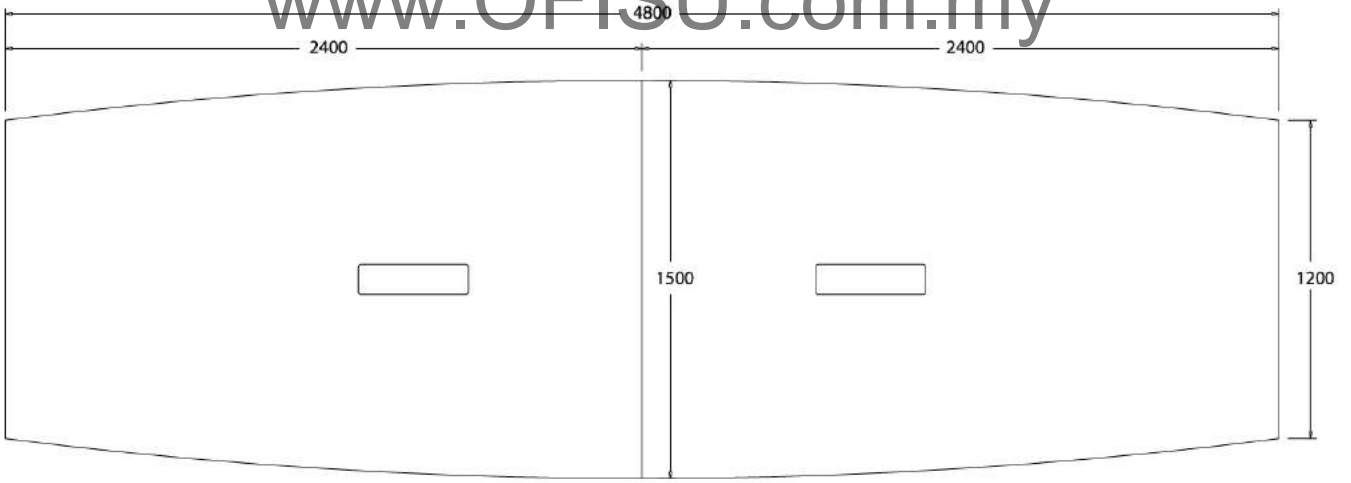
www.OFISU.com.my





SBB 48-SET

www.OFISU.com.my



SVB 18



SVB 24

CABINET AND MOBILE PEDESTAL



Office Table And Pedestal Specification (SL55-Series)

EXECUTIVE TABLE AND STANDARD TABLE (WITH WOODEN FRONT PANEL)



EXECUTIVE TABLE
SWB 180A 1800W x 900D x 750H



STANDARD TABLE
SWT 127 1200W x 750D x 750H
SWT 157 1500W x 750D x 750H
SWT 187 1800W x 750D x 750H



STANDARD TABLE(W/O TEL CAP)
SWT 126 1200W x 600D x 750H
SWT 156 1500W x 600D x 750H

WOODEN FRONT PANEL AND ACCESSORIES



EXECUTIVE WOODEN FRONT PANEL
SF 1 1000W x 430H x 16THK
SF 3 1300W x 430H x 16THK
SF 5 1600W x 430H x 16THK

SUPERIOR COMPACT TABLE (WITH WOODEN FRONT PANEL)



SUPERIOR COMPACT TABLE (L)
SWL 552 1500W x 600 x 1500 x 600D x 750H
SWL 652 1800W x 600 x 1500 x 600D x 750H
SWL 1515 1500W x 700 x 1500 x 600D x 750H
SWL 1815 1800W x 700 x 1500 x 600D x 750H



SUPERIOR COMPACT TABLE (L)
SWL 552-3D 1500W x 600 x 1500 x 600D x 750H
SWL 652-3D 1800W x 600 x 1500 x 600D x 750H
SWL 1515-3D 1500W x 700 x 1500 x 600D x 750H
SWL 1815-3D 1800W x 700 x 1500 x 600D x 750H



SUPERIOR COMPACT TABLE (L)
SWL 552-4D 1500W x 600 x 1500 x 600D x 750H
SWL 652-4D 1800W x 600 x 1500 x 600D x 750H
SWL 1515-4D 1500W x 700 x 1500 x 600D x 750H
SWL 1815-4D 1800W x 700 x 1500 x 600D x 750H



WOODEN HANGING BRACKET
SHW 82W x 34D x 100H

EXECUTIVE TABLE AND STANDARD TABLE (WITH METAL FRONT PANEL)



EXECUTIVE TABLE
SMB 180A 1800W x 900D x 750H



STANDARD TABLE
SMT 127 1200W x 750D x 750H
SMT 157 1500W x 750D x 750H
SMT 187 1800W x 750D x 750H



STANDARD TABLE(W/O TEL CAP)
SMT 126 1200W x 600D x 750H
SMT 156 1500W x 600D x 750H

METAL FRONT PANEL AND ACCESSORIES



METAL FRONT PANEL
BW 1 1000W x 430H x 20D
BW 3 1300W x 430H x 20D
BW 5 1600W x 430H x 20D

SUPERIOR COMPACT TABLE (WITH METAL FRONT PANEL)



SUPERIOR COMPACT TABLE (L)
SML 552 1500W x 600 x 1500 x 600D x 750H
SML 652 1800W x 600 x 1500 x 600D x 750H
SML 1515 1500W x 700 x 1500 x 600D x 750H
SML 1815 1800W x 700 x 1500 x 600D x 750H



SUPERIOR COMPACT TABLE (L)
SML 552-3D 1500W x 600 x 1500 x 600D x 750H
SML 652-3D 1800W x 600 x 1500 x 600D x 750H
SML 1515-3D 1500W x 700 x 1500 x 600D x 750H
SML 1815-3D 1800W x 700 x 1500 x 600D x 750H



SUPERIOR COMPACT TABLE (L)
SML 552-4D 1500W x 600 x 1500 x 600D x 750H
SML 652-4D 1800W x 600 x 1500 x 600D x 750H
SML 1515-4D 1500W x 700 x 1500 x 600D x 750H
SML 1815-4D 1800W x 700 x 1500 x 600D x 750H



METAL HANGING BRACKET
SHM 82W x 34D x 465H

PEDESTAL (BODY IN WHITE COLOUR WITH CHAMFERED EDGE)

FIXED PEDESTAL WITHOUT TOP (HEIGHT OF 725MM)



FIXED PEDESTAL 2D1F (W/O TOP)
B-YHP 3(E) 396W x 446D x 725H



FIXED PEDESTAL 4D (W/O TOP)
B-YHP 4(E) 396W x 446D x 725H

MOBILE PEDESTAL (HEIGHT OF 620MM)



MOBILE PEDESTAL 2D1F
B-YMP 3(E) 400W x 480D x 620H



MOBILE PEDESTAL 4D
B-YMP 4(E) 400W x 480D x 620H

FIXED PEDESTAL WITHOUT TOP AND BASE (HEIGHT OF 630MM)



FIXED PEDESTAL 2D1F (W/O TOP AND BASE)
B-YP 3(E) 396W x 446D x 630H



FIXED PEDESTAL 4D (W/O TOP AND BASE)
B-YP 4(E) 396W x 446D x 630H

BASE



BASE
YB 400 380W x 350D x 95H

POWER TOWER



POWER TOWER
YPT 725 240W x 248D x 725H (WHITE COLOUR ONLY)

www.OFISU.com.my

Side Cabinet For Table And Reception Counter Specification (SL55-Series)

SIDE CABINET HEIGHT OF 600MM (BODY IN WHITE COLOUR WITH CHAMFERED EDGE)

FOR STANDARD TABLE



OPEN SHELF + SWINGING DOOR(L)+ FIXED PEDESTAL 1D1F
B-YLP 1226(E)
1200W x 450D x 600H



OPEN SHELF + SWINGING DOOR(L) + FIXED PEDESTAL 3D
B-YLP 1236(E)
1200W x 450D x 600H

SIDE CABINET 1200W x 450D x 600H



OPEN SHELF + SLIDING DOOR
B-YOS 1206
1200W x 450D x 600H



SLIDING DOOR + FIXED PEDESTAL 1D1F
B-YSP 1226(E)
1200W x 450D x 600H



SLIDING DOOR + FIXED PEDESTAL 3D
B-YSP 1236(E)
1200W x 450D x 600H



OPEN SHELF + SWINGING DOOR(R) + FIXED PEDESTAL 1D1F
B-YRP 1226(E)
1200W x 450D x 600H



OPEN SHELF + SWINGING DOOR(R)+ FIXED PEDESTAL 3D
B-YRP 1236(E)
1200W x 450D x 600H

FOR WORKSTATION CLUSTER OF 2



STANDARD TABLE (WITH WOODEN FRONT PANEL)
SWT 127-2 2400W x 750D x 750H
SWT 157-2 3000W x 750D x 750H
SWT 187-2 3600W x 750D x 750H



STANDARD TABLE (WITH METAL FRONT PANEL)
SMT 127-2 2400W x 750D x 750H
SMT 157-2 3000W x 750D x 750H
SMT 187-2 3600W x 750D x 750H

FOR WORKSTATION CLUSTER OF 4



STANDARD TABLE (W/O FRONT PANEL)
ST 127-4 2400W x 1500D x 750H
ST 157-4 3000W x 1500D x 750H
ST 187-4 3600W x 1500D x 750H

SIDE CABINET 1200W x 900D x 600H

www.OFISU.com.my



OPEN SHELF + SLIDING DOOR
B-YOS 1206-2
1200W x 900D x 600H



SLIDING DOOR + FIXED PEDESTAL 1D1F
B-YSP 1226-2(E)
1200W x 900D x 600H



SLIDING DOOR + FIXED PEDESTAL 3D
B-YSP 1236-2(E)
1200W x 900D x 600H



OPEN SHELF + SWINGING DOOR + FIXED PEDESTAL 1D1F
B-YDP 1226-2(E)
1200W x 900D x 600H



OPEN SHELF + SWINGING DOOR + FIXED PEDESTAL 3D
B-YDP 1236-2(E)
1200W x 900D x 600H

DIRECTOR TABLE SET (WITH SL55 METAL LEG)

(WITH WOODEN FRONT PANEL)

SIDE CABINET 1600W x 450D x 600H



DIRECTOR TABLE SET (Included YBV 20 1 unit)
B-SWE 2162(E)
2160W x 900 x 1600 x 450 x 750H



DIRECTOR TABLE SET (Included YBV 20 1 unit)
B-SWE 2163(E)
2160W x 900 x 1600 x 450 x 750H



OPEN SHELF + SLIDING DOOR + FIXED PEDESTAL 1D1F
B-YOSP 1626(E)
1600W x 450D x 600H



OPEN SHELF + SLIDING DOOR + FIXED PEDESTAL 3D
B-YOSP 1636(E)
1600W x 450D x 600H

EXECUTIVE RECEPTION COUNTER



EXECUTIVE RECEPTION COUNTER (L)
B-SCT 1500 1538W x 404D x 1050H



EXECUTIVE RECEPTION COUNTER (L)
B-SCT 1800 1838W x 404D x 1050H



EXECUTIVE RECEPTION COUNTER (L)
B-SCT BACK VIEW

Side Cabinet For Office Table Specification (SL55-Series)

PART OF DIRECTOR SET AND WORKSTATION

PART OF COMBINATION



DIRECTOR SURFACE PANEL
SDT 2100 2100W x 900D x 25THK
(Flipper Box YBV 20 NOT included)



DIRECTOR WOODEN FRONT PANEL
SEF 5 1600W x 430D x 16THK



EXECUTIVE WOODEN FRONT PANEL
SF 1 1000W x 430H x 16THK
SF 3 1300W x 430H x 16THK
SF 5 1600W x 430H x 16THK



WOODEN HANGING BARCKET
SHW 82W x 34D x 100H



METAL FRONT PANEL
BW 1 1000W x 430H x 20D
BW 3 1300W x 430H x 20D
BW 5 1600W x 430H x 20D



METAL HANGING BRACKET
SHM 82W x 34D x 465H

CABINET SURFACE PANEL AND BASE



CABINET SURFACE PANEL C/W CHROME CAP
PSC 800 800W x 450D x 25THK
PSC 1200 1200W x 450D x 25THK
PSC 1600 1600W x 450D x 25THK



CABINET SURFACE PANEL C/W CHROME CAP
PDC 800 800W x 900D x 25THK
PDC 1200 1200W x 900D x 25THK
PDC 1600 1600W x 900D x 25THK



BASE
YB 800 780W x 350D x 95H



BASE
YB 1200 1180W x 350D x 95H



BASE
YB 1600 1580W x 350D x 95H

www.OFISU.com.my

CABINET, PEDESTAL AND DOOR



SWINGING WOODEN DOOR (L)
YDL 448(E)
390W x 463H x 16THK



SWINGING WOODEN DOOR (R)
YDR 448(E)
390W x 463H x 16THK



OPEN SHELF SIDE CABINET (W/O TOP AND BASE)
YO 448
396W x 430D x 480H



SLIDING DOOR SIDE CABINET (W/O TOP AND BASE)
B-YS 848
796W x 430D x 480H



FIXED PEDESTAL 1D1F (W/O TOP AND BASE)
B-YP 26(E)
396W x 446D x 480H



FIXED PEDESTAL 3D (W/O TOP AND BASE)
B-YP 36(E)
396W x 446D x 480H

COLOUR OPTION



BORAS ASH

WITHOUT HANDLE CHAMFERED EDGE (FOR CABINET)



WITHOUT HANDLE CHAMFERED EDGE (FOR PEDESTAL)



Conference Table And SL55 Metal Leg Specification (SL55-Series)

CONFERENCE TABLE



BOAT-SHAPE CONFERENCE TABLE
(INCLUDED YBV 20 1 Unit)
SBB 18 1800W x 900/750D x 750H



BOAT-SHAPE CONFERENCE TABLE
(INCLUDED YBV 20 1 Unit)
SBB 24 2400W x 1200/900D x 750H
(clw 2 units SL 55-725)



BOAT-SHAPE CONFERENCE TABLE
(INCLUDED YBV 20 2 Units)
SBB 30 3000W x 1200/900D x 750H
SBB 36 3600W x 1500/1200D x 750H



BOAT-SHAPE CONFERENCE TABLE
(INCLUDED YBV 20 2 Units)
SRR 48 4800W x 1500/1200D x 750H



RECTANGULAR CONFERENCE TABLE
(INCLUDED YBV 20 1 Unit)
SVB 18 1800W x 900D x 750H



RECTANGULAR CONFERENCE TABLE
(INCLUDED YBV 20 1 Unit)
SVB 24 2400W x 1200D x 750H
(clw 2 units SL 55-725)



RECTANGULAR CONFERENCE TABLE
(INCLUDED YBV 20 2 units)
SVB 30 3000W x 1200D x 750H
SVB 36 3600W x 1500D x 750H



RECTANGULAR CONFERENCE TABLE
(INCLUDED YBV 20 2 units)
SVB 48 4800W x 1500D x 750H

S LEG



S LEG
SL 55-E600 590W x 55D x 725H
SL 55-E700 690W x 55D x 725H
SL 55-E750 740W x 55D x 725H
SL 55-E900 890W x 55D x 725H



S LEG
SL 55-E1200 1190W x 55D x 725H
SL 55-E1400 1390W x 55D x 725H
SL 55-E1500 1490W x 55D x 725H



MIDDLE S LEG
SL 55-M600 590W x 55D x 725H
SL 55-M700 690W x 55D x 725H
SL 55-M750 740W x 55D x 725H
SL 55-M900 890W x 55D x 725H



MIDDLE S LEG
SL 55-M1200 1190W x 55D x 725H
SL 55-M1400 1390W x 55D x 725H
SL 55-M1500 1490W x 55D x 725H

S TUBE + LEG



S TUBE + LEG(L)
SL 55-E600-7 590W x 55D x 125/725H
SL 55-E700-7 690W x 55D x 125/725H
SL 55-E750-7 740W x 55D x 125/725H
SL 55-E900-7 890W x 55D x 125/725H



S TUBE + LEG(L)
SL 55-E1200-7 1190W x 55D x 125/725H
SL 55-E1400-7 1390W x 55D x 125/725H
SL 55-E1500-7 1490W x 55D x 125/725H



MIDDLE S TUBE + LEG
SL 55-M600-7 590W x 55D x 125/725H
SL 55-M700-7 690W x 55D x 125/725H
SL 55-M750-7 740W x 55D x 125/725H
SL 55-M900-7 890W x 55D x 125/725H



MIDDLE S TUBE + LEG
SL 55-M1200-7 1190W x 55D x 125/725H
SL 55-M1400-7 1390W x 55D x 125/725H
SL 55-M1500-7 1490W x 55D x 125/725H

S TUBE



S TUBE
SL 55-E600-125 590W x 55D x 125H
SL 55-E700-125 690W x 55D x 125H
SL 55-E750-125 740W x 55D x 125H
SL 55-E900-125 890W x 55D x 125H



S TUBE
SL 55-E1200-125 1190W x 55D x 125H
SL 55-E1400-125 1390W x 55D x 125H
SL 55-E1500-125 1490W x 55D x 125H



MIDDLE S TUBE
SL 55-M600-125 590W x 55D x 125H
SL 55-M700-125 690W x 55D x 125H
SL 55-M750-125 740W x 55D x 125H
SL 55-M900-125 890W x 55D x 125H



MIDDLE S TUBE
SL 55-M1200-125 1190W x 55D x 125H
SL 55-M1400-125 1390W x 55D x 125H
SL 55-M1500-125 1490W x 55D x 125H

CROSS BAR



END AND END CROSS BAR
SEE 1200 1160W x 41D x 14/54H
SEE 1500 1460W x 41D x 14/54H
SEE 1800 1760W x 41D x 14/54H
SEE 2400 2360W x 41D x 14/54H



MIDDLE AND END CROSS BAR
SME 1200 1200W x 41D x 14/54H
SME 1500 1500W x 41D x 14/54H
SME 1800 1800W x 41D x 14/54H



MIDDLE AND MIDDLE CROSS BAR
SMM 1200 1240W x 41D x 14/54H
SMM 1500 1540W x 41D x 14/54H
SMM 1800 1840W x 41D x 14/54H



SIDE RETURN CROSS BAR
SR 200 251W x 41D x 14/54H

STAND LEG AND ACCESSORIES



STAND S LEG
SL 55-725 120W x 120D x 725H



END BRACKET
SEB 68W x 40D x 55H



MIDDLE BRACKET
SMB 68W x 40D x 55H

www.OFISU.com.my

Storage Cabinet Specification (SL55-Series)

LOW CABINET

HEIGHT OF 910MM



**OPEN SHELF
LOW CABINET**

B-YO 9 800W X 400D x 910H



**SWINGING DOOR
LOW CABINET**

B-YD 9(E) 800W x 400D x 910H



**PIGEON HOLE
LOW CABINET**

B-YP 9 800W x 400D x 910H



**SLIDING DOOR
LOW CABINET**

B-YS 9 800W x 400D x 910H



**SWINGING GLASS DOOR
LOW CABINET**

B-YG 9 800W x 400D x 910H

MEDIUM CABINET

HEIGHT OF 1310MM



OPEN SHELF MEDIUM CABINET

B-YO 13 800W x 400D x 1310H



SWINGING DOOR MEDIUM CABINET

B-YD 13(E) 800W x 400D x 1310H



SEMI SWINGING DOOR MEDIUM CABINET

B-YOD 13(E) 800W x 400D x 1310H



SIDE CABINET

SLIDING DOOR SIDE CABINET

B-YS 303 900W x 450D x 700H

HEIGHT OF 1710MM



OPEN SHELF MEDIUM CABINET

B-YO 17 800W x 400D x 1710H



SWINGING DOOR MEDIUM CABINET

B-YD 17(E) 800W x 400D x 1710H



SEMI SWINGING DOOR MEDIUM CABINET

B-YOD 17(E) 800W x 400D x 1710H

HIGH CABINET

HEIGHT OF 2110MM



**OPEN SHELF
HIGH CABINET**

B-YO 21 800W x 400D x 2110H



**SWINGING DOOR HIGH
CABINET**

B-YD 21(E) 800W x 400D x 2110H



**SEMI SWINGING DOOR
HIGH CABINET**

B-YOD 21(E) 800W x 400D x 2110H



SWINGING DOOR HIGH CABINET

B-YTD 21(E) 800W x 400D x 2110H



**SWINGING GLASS DOOR
HIGH CABINET**

B-YGD 21(E) 800W X 400D x 2110H

www.OFISU.com.my

SWINGING WOODEN AND GLASS DOOR



SWINGING WOODEN DOOR

YFD 9(E)

788W x 780H x 16THK
(for B-YD 9(E) only)



SWINGING WOODEN DOOR

YFD 13(E)

788W x 1180H x 16THK
(for B-YD 13(E) only)



SWINGING WOODEN DOOR

YFD 17(E)

788W x 1598H x 16THK
(for B-YD 17(E) only)



SWINGING GLASS DOOR WITH GLASS LOCK

YFG 9

754W x 774H x 5THK
(for B-YG 9)



**SWINGING
WOODEN DOOR (LOWER)**

YLD 9(E)

788W x 780H x 16THK
(for B-YOD 13(E), B-YOD 17(E),
B-YOD 21(E), B-YTD 21(E),
B-YGD 21(E))



**SWINGING
WOODEN DOOR (UPPER)**

YUD 21(E)

788W x 1180H x 16THK
(for B-YTD 21(E) only)



**SWINGING
WOODEN DOOR**

YFD 21(E)

788W x 1998H x 16THK
(for B-YD 21(E) only)



**SWINGING GLASS DOOR
WITH GLASS LOCK**

YUG 21

754W x 1188H x 5THK
(for B-YGD 21(E))