



SPL MEDICAL DOOR

SPL DOOR SOLUTIONS SDN BHD (1557918-A)

No. 34, Jalan 1/7, Seksyen 1, Bandar Teknologi Kajang,
43500 Semenyih, Selangor.



Email

splsolutionssdnbhd@gmail.com



Sales & Service Hotline

+6012 762 2383



MEDICAL DOOR

Focus on providing green environmental protection and first-class quality products SPL sincerely hope to cooperate with you. Share technological achievements Contribute to the Medical career.

CONTENTS

Hospital Door Application	01
Medical Airtight Door	02-07
Medical Steel Door	08-09
Medical Swing Door	10-11
Metal Wall	12
Panic Door	13
Folding Auto-door	13
Door Control Accessories	14-15
Projects List Finished	16-17
Door Material / Color Card	17

Hospital, Clinics, Research Rooms and Purification Workshops

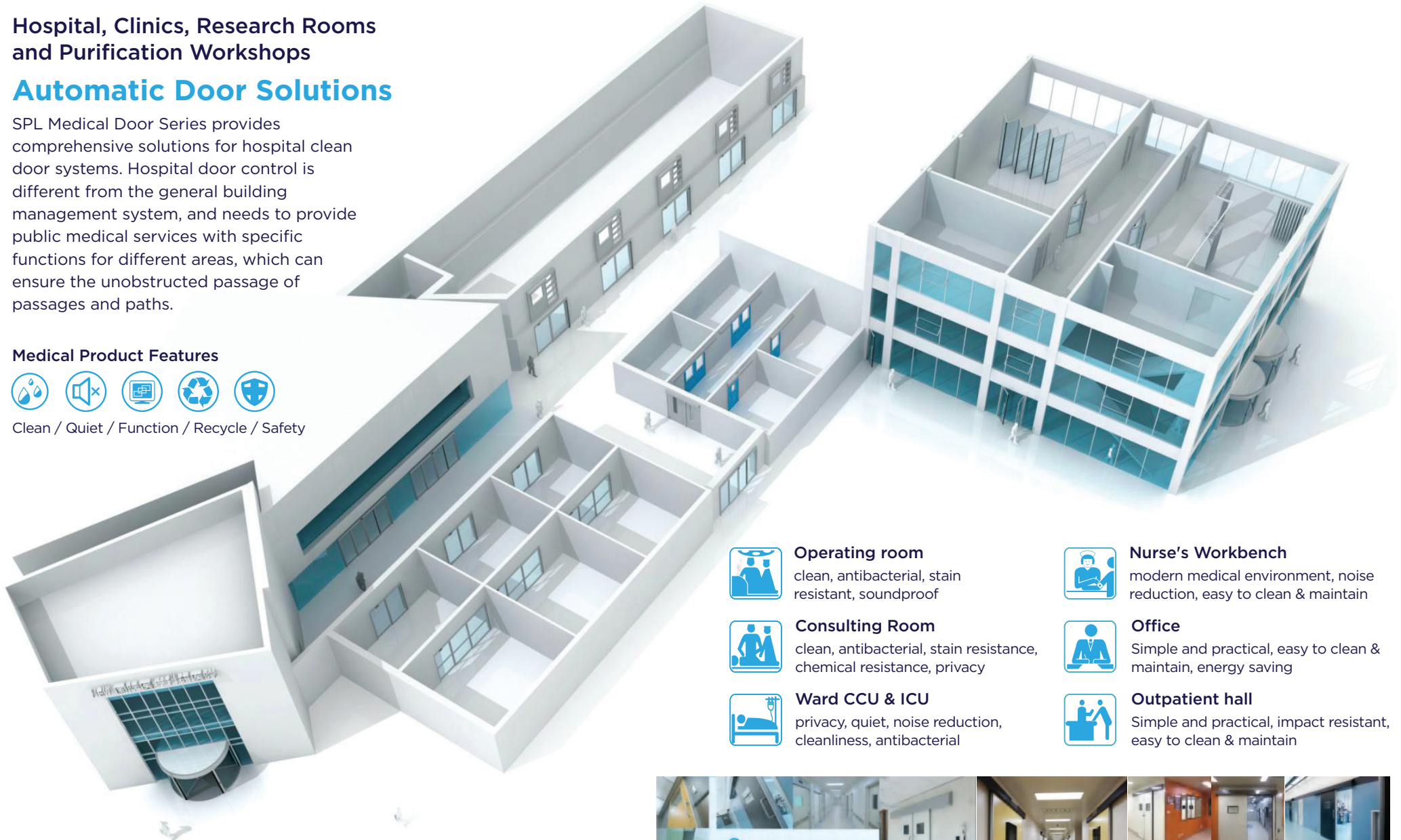
Automatic Door Solutions

SPL Medical Door Series provides comprehensive solutions for hospital clean door systems. Hospital door control is different from the general building management system, and needs to provide public medical services with specific functions for different areas, which can ensure the unobstructed passage of passages and paths.

Medical Product Features



Clean / Quiet / Function / Recycle / Safety



Operating room

clean, antibacterial, stain resistant, soundproof



Consulting Room

clean, antibacterial, stain resistance, chemical resistance, privacy



Ward CCU & ICU

privacy, quiet, noise reduction, cleanliness, antibacterial



Nurse's Workbench

modern medical environment, noise reduction, easy to clean & maintain



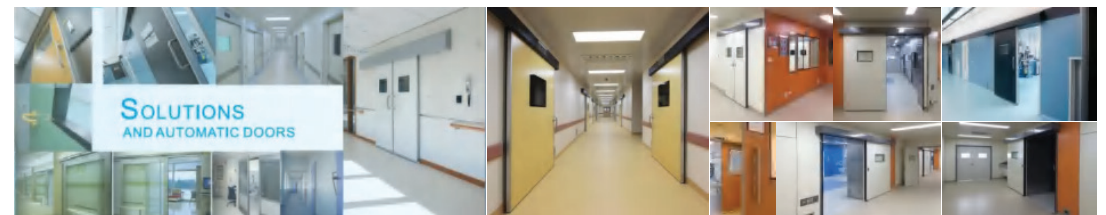
Office

Simple and practical, easy to clean & maintain, energy saving



Outpatient hall

Simple and practical, impact resistant, easy to clean & maintain

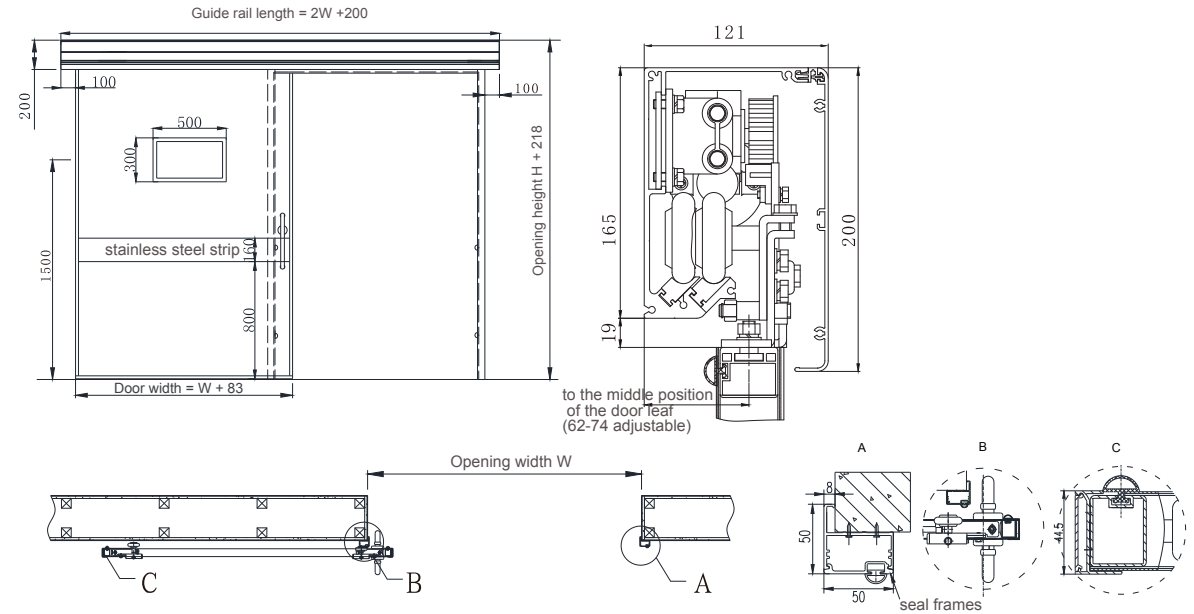




Medical Door Features

Hermetic sliding door (DQM-165)

On-wall type



Product Features

- ◆ The on-wall type hermetic door is installed directly on the wall surface, it is easy to install quickly. Using the unique high-tech, good sealing, prevent cross-contamination, maximize cleanliness and air-tightness which meets the standard requirements of Automatic Airtight Door Industry Standard JG / T257-2009.

- ◆ Unique handle design makes the manual opening force lower.

- ◆ The overall operation is light and peaceful, and the indoor and outdoorsound insulation effect is good.

- ◆ Environmental protection and energy saving: The door is sturdy and thick, fast opening and closing, and the air circulation is reduced to a minimum, which can prevent dust from entering the places with clean requirements and maintain constant humidity and temperature.

- ◆ Product standard configuration: Double safety beam anti-trapping, it also can be increased to 3 or 4 beams according to customer's requirements.

- ◆ The airtight door adopts combined track sealing arrangement, and has an inlet pressure of 8mm and a drop pressure (reduced pressure) of 8mm to ensure that the door body is tightly combined with the door casing in order to achieve the airtight effect.

Specifications

Door weight: **150kg(max)**

Clean opening width (wall to wall):

900-1500mm (Single door)

1200-3350mm (Double door)

Opening speed: **300mm_600mm/s (adjustable)**

Closing speed: **300mm-600mm/s(adjustable)**

Hold-open time: **0-9s (adjustable)**

Door closed force : **>500N**

Manual open force : **<100N**

Power consumption: **<150W**

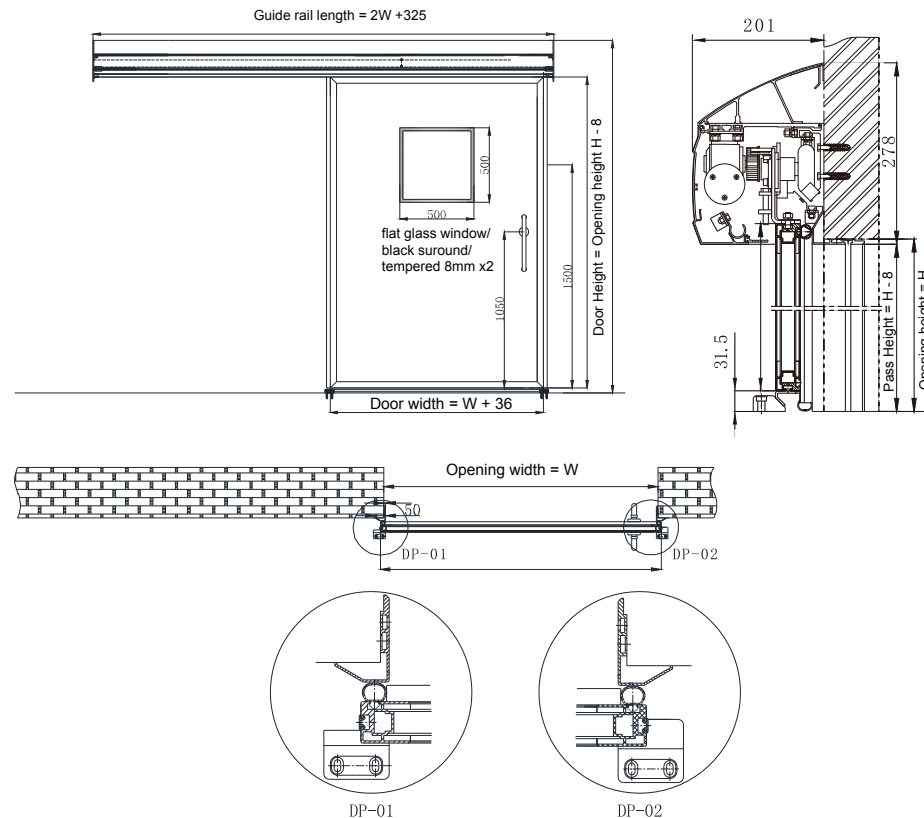
Airtight rating: **Grade 8**



European Medical Airtight Door

Hermetic sliding door/European style (DQM-180)

On-wall type



Product Features

- ◆ Used German original imported DC brush motor has long life, high efficiency, maintenance-free.
- ◆ The airtight door is directly hung on the wall surface, which is quick and easy to install.
- ◆ Unique air-tight door operating structure and compression technology, air tightness meets the requirements of Automatic Airtight Door Industry Standard JG / T257-2009.
- ◆ Unique drop method, the drop distance is longer than the general airtight door, so increase the air-tightness.
- ◆ The overall operation is light and peaceful, and the indoor and outdoor sound insulation effect is good.
- ◆ Environmental protection and energy saving: The door is sturdy and thick, fast opening and closing, the air circulation is reduced to a minimum, it can prevent cold wind and dust from entering the places with clean requirements, and maintain constant humidity and constant temperature.

Specifications

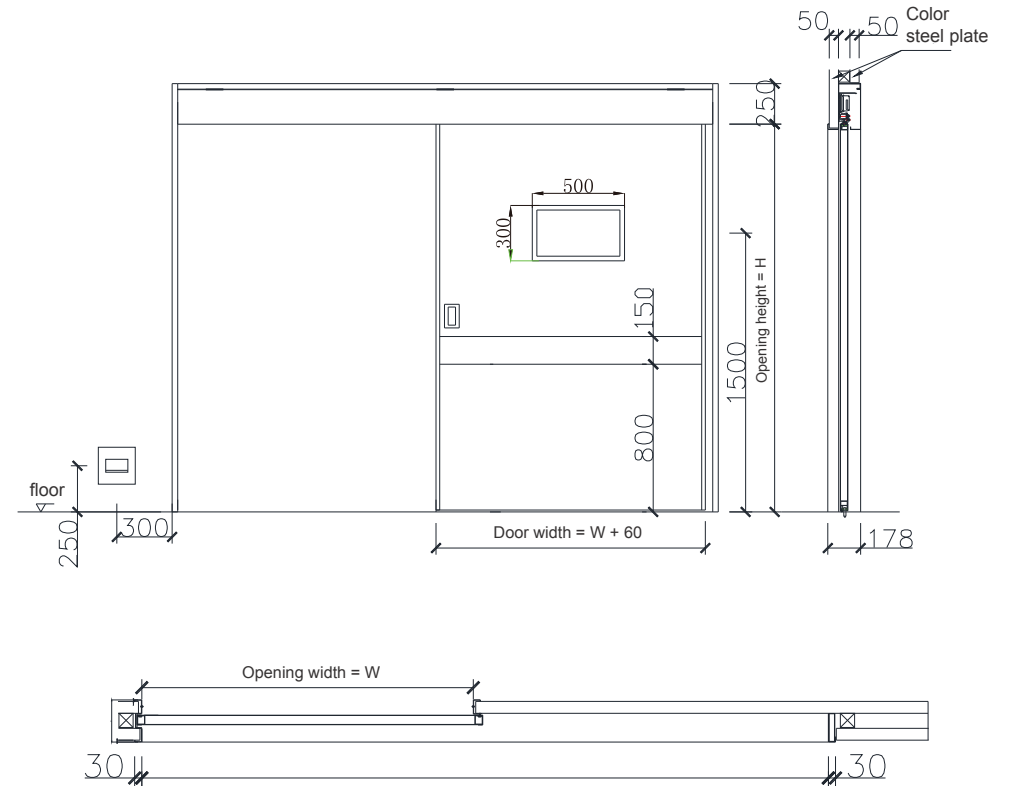
- Opening speed: **100mm-500mm / s (adjustable)**
- Closing speed: **100mm-400mm / s (adjustable)**
- Hold-open time: **2 - 20s (adjustable)**
- Door closed force: **> 500N**
- Manual open force: **<100N**
- Power consumption: **<150W**
- Airtight rating: **Level 8**



Medical Door Features

Hermetic sliding door (DQM-150)

Built-in type



Specifications

Width of single door body: 600 - 2000mm

Installation method: **Built-in fixation**

Motor: **DC24V 60W / DC brushless**

Opening speed: **30-60cm / sec (adjustable)**

Closing speed: **30-60cm / sec (adjustable)**

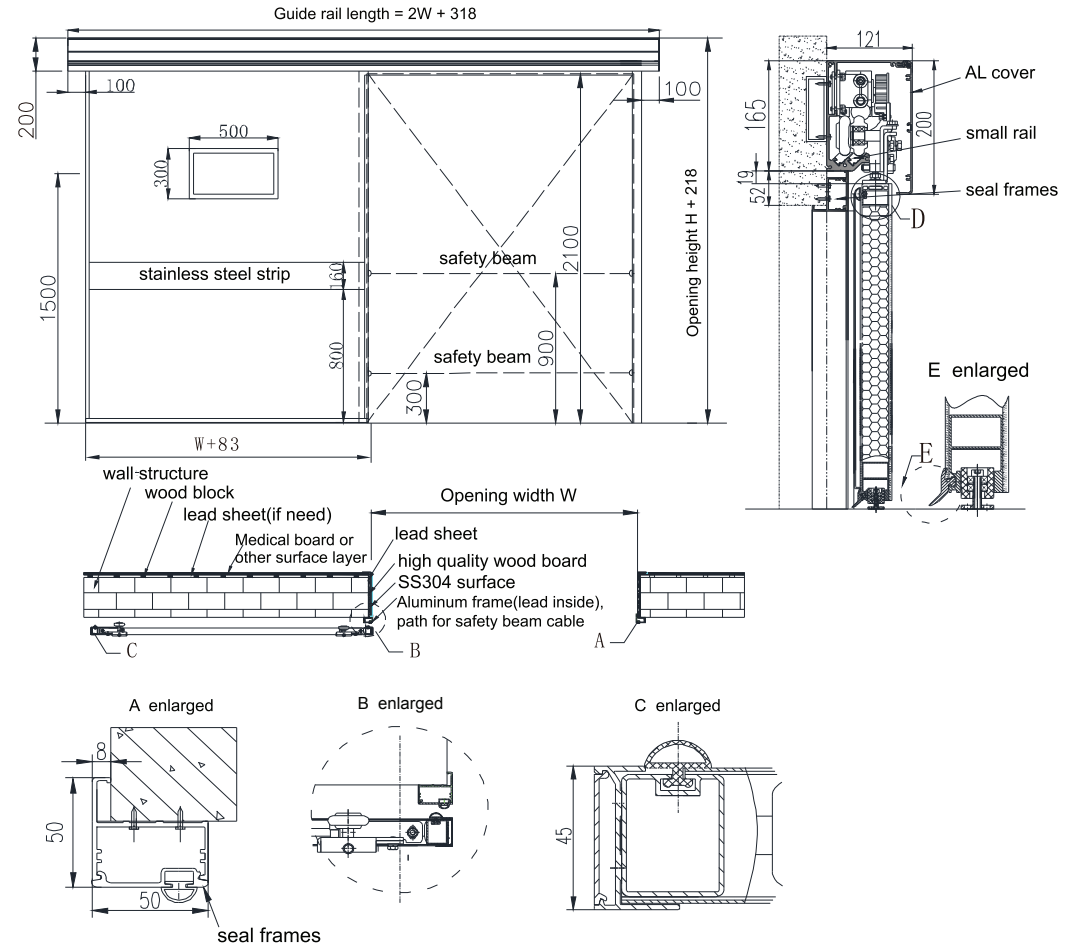
Opening time: **0 - 9 seconds (adjustable)**

Manual opening force: **> 30N**

Temperature condition: **-20 ~ + 50 ° C**

Supply Voltage: **AC200-240V, 50/60Hz**

Airtight rating: **Level 8**



Product Features

- ◆ The overall operation is light and peaceful, and the indoor and outdoor sound insulation effect is good.
- ◆ Environmental protection and energy saving: The door is sturdy and thick, fast opening and closing, the air circulation is reduced to a minimum, it can prevent cold wind and dust from entering the places with clean requirements, and maintain constant humidity and constant temperature.
- ◆ The lead sheet is added in the door panel, the standard thickness is 2.0 equivalents, but 3.0 and 4.0 equivalents can be added according to customer requirements too. The lead sheet can effectively block the radiation to go outdoor, prevent damage to other people and reduce interference.

Specifications

- Opening speed: **100mm-500mm / s (adjustable)**
- Closing speed: **100mm-400mm / s (adjustable)**
- Hold-open time: **2 - 20s (adjustable)**
- Door closed force: **> 500N**
- Manual open force: **<100N**
- Power consumption: **<150W**
- Airtight rating: **Level 8**

Medical Radiation Protection Automatic Door

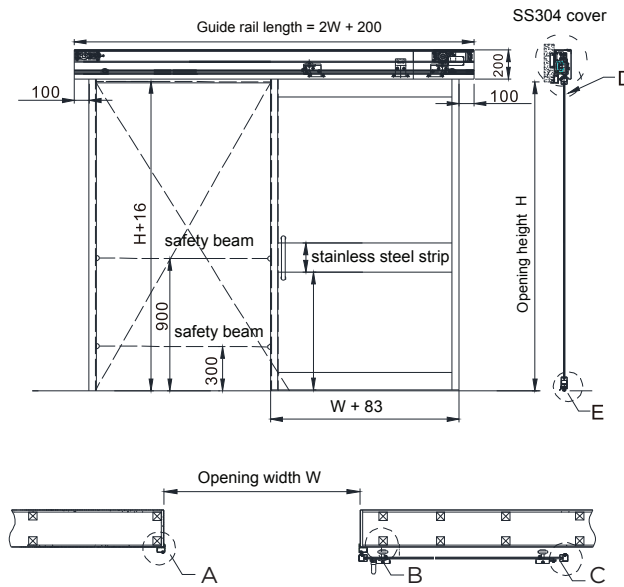
Sliding door (rubber around / no drop)
On-wall type / Built-in type

Glass Airtight Door

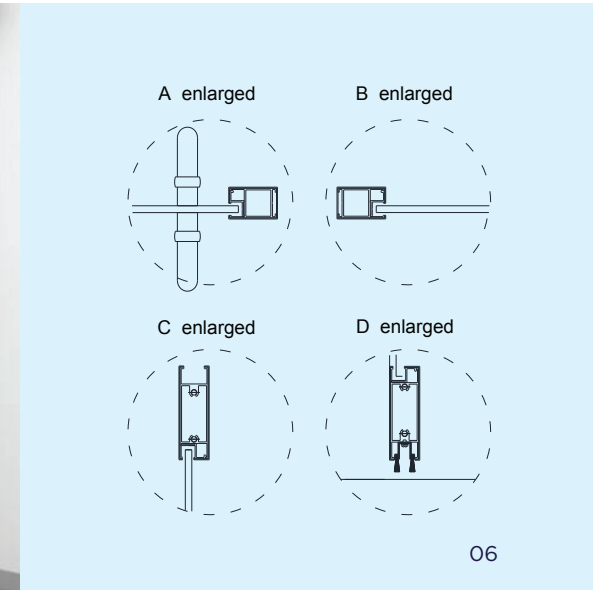
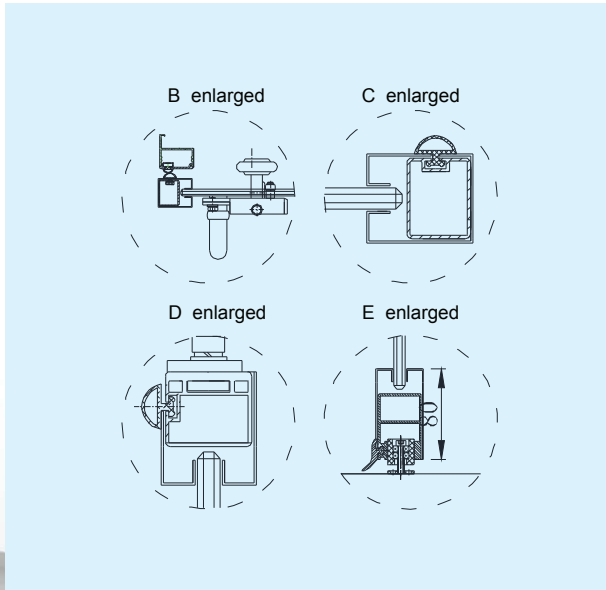
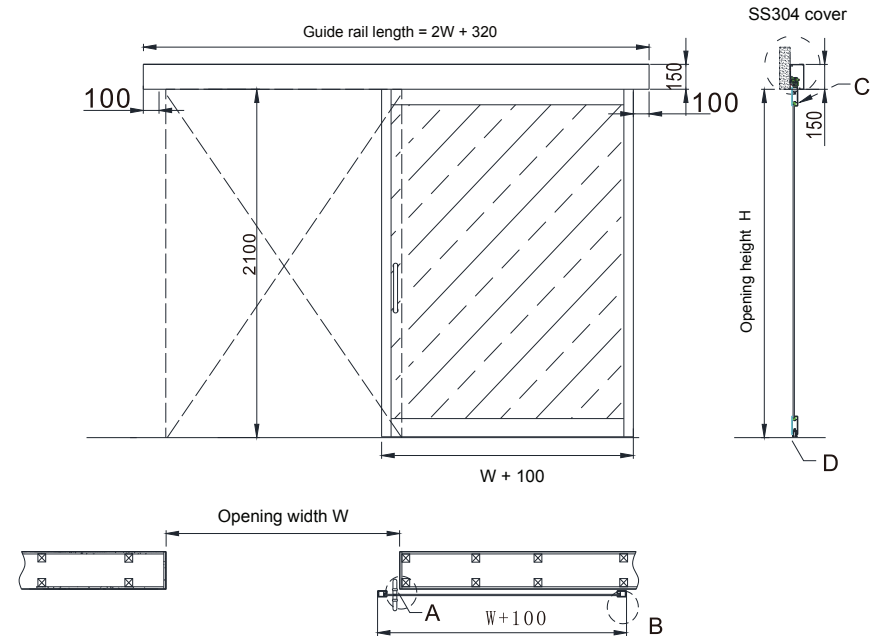
Clear hermetic glass sliding door (DQB-165)

On-wall type / Built-in type

- ◆ This door is suitable for ICU with certain requirements on cleanliness, sanitation and air-tightness
- ◆ Energy saving and heat preservation, strong air-tightness, pressure and impact resistances
- ◆ Various control methods, convenient to open
- ◆ Safety sensor, anti-pinch function
- ◆ Stable operation and low noise



Semi-Auto Glass Sliding Door (DBM-150)



Medical Swing Door

Hermetic automatic swing door (DSW-100)

On-wall type

- ◆ This door is suitable for operating room and clinic with certain requirements on cleanliness, sanitation and air-tightness
- ◆ Energy saving and heat preservation, strong air-tightness, pressure and impact resistances
- ◆ Various control methods, convenient to open
- ◆ Stable operation and low noise

Technical Parameters:

Door form: **Single door**

Door weight: $\leq 1 \times 100\text{kg}$

Door width: **660 ~ 1200mm**

Power supply voltage: **AC 220V \pm 10%, 50 / 60Hz**

Power consumption: **50W**

Opening speed: **250 ~ 450mm / S (adjustable)**

Closing speed: **250 ~ 450mm / S (adjustable)**

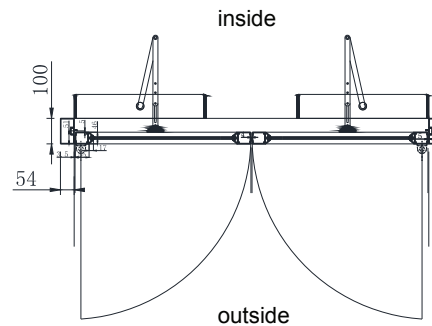
Opening time: **3 ~ 7S (adjustable)**

Open door hold time: **1 ~ 30S (adjustable)**

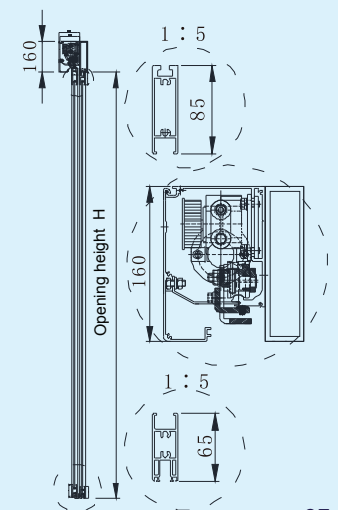
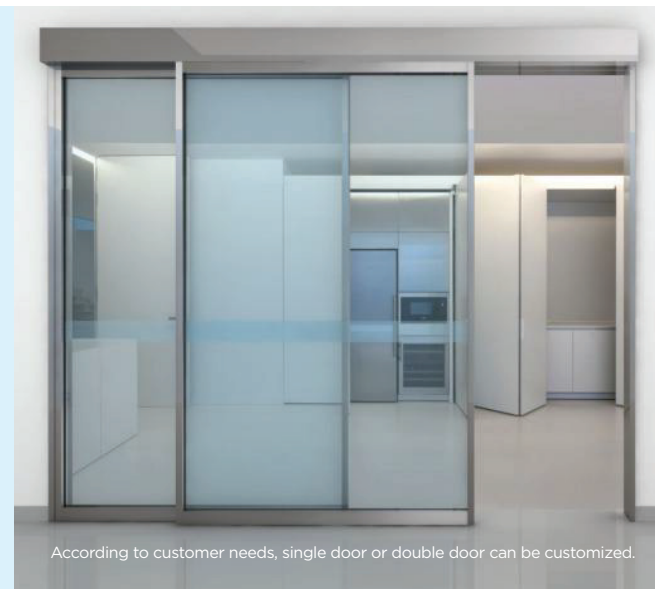
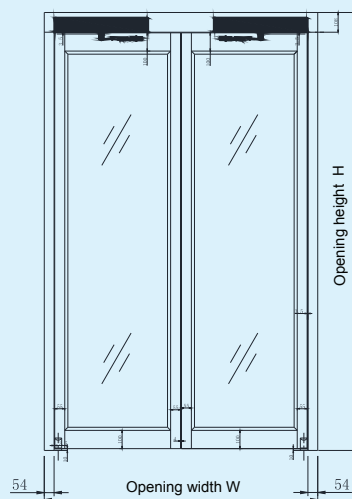
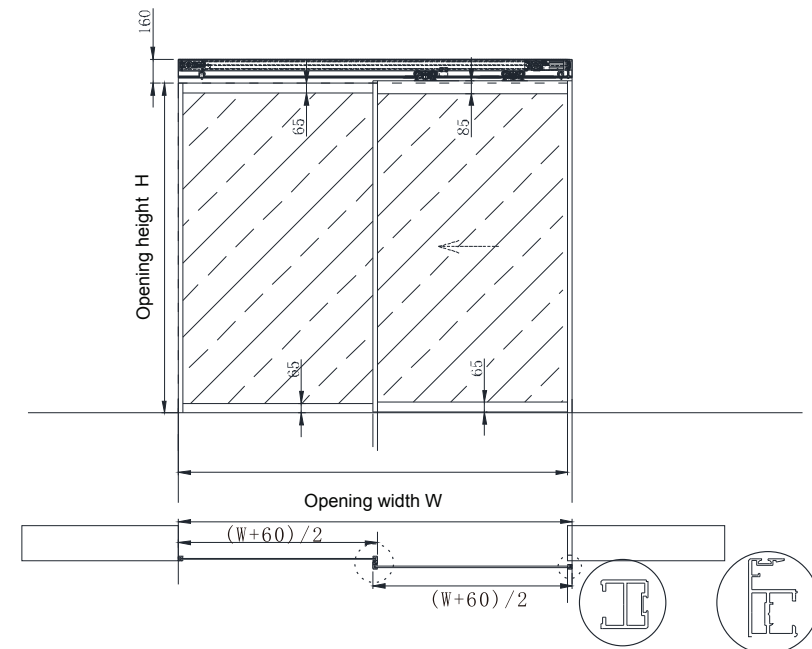
Manual opening/closing force: **< 30N**

Running noise: $\leq 55\text{Db}$

Ambient temperature: **-20 °C ~ + 50 °C**



Framed Glass Sliding Door (Passageway/Dressing Door)



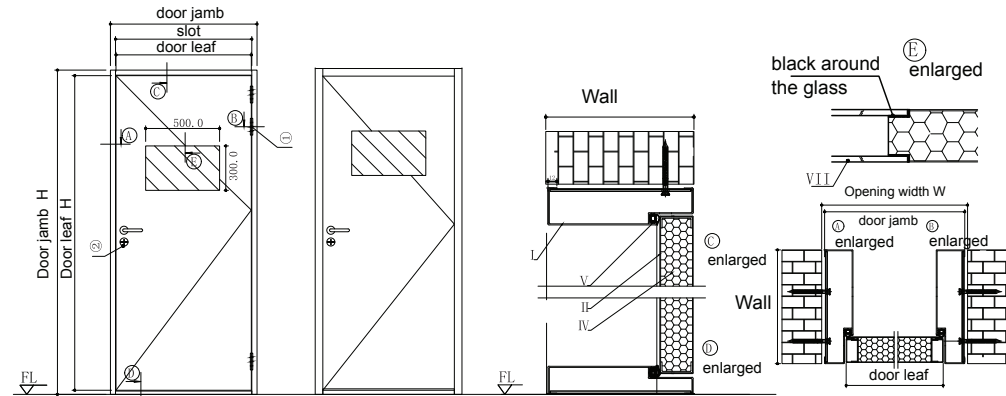
According to customer needs, single door or double door can be customized.



Medical Steel Door

Steel single door

- ◆ It has the characteristics of long life, waterproof, anti-impact, antibacterial, sound insulation anti-static, fire resistance, etc.
- ◆ This series product technology is widely used in ward doors, examination rooms, doctor's offices and other access channels
- ◆ Different-size windows can be set according to the functional needs of different doors in the hospital
- ◆ Decorative surface can be electrostatic powder coating or stainless steel sheet, a variety of colors for your choice
- ◆ There are many choices of high-quality hardware such as hinges, door locks, door closers, etc. to meet different needs



Specifications

Door type: **Single door, Unequal double door, Double door**

Door size: **Width ≥ 500mm and Height ≥ 1900mm**

Door leaf thickness: **40-60mm**

Door jamb thickness: **100-300mm**

Door leaf material: **0.8 galvanized steel plate / 0.8 wood grain steel plate / 0.8 stainless steel plate**

Door jamb material: **1.5 galvanized steel plate / 1.5 wood grain steel plate / 1.2 stainless steel plate**

Surface treatment: **electrostatic powder spraying or oil painting**

Door leaf filler: **high-strength aluminum honeycomb or high strength honeycomb paper**

Bright view window: **embedded double tempered glasses/ aluminum framed single tempered glass**

Lock: **stainless steel split handle lock**

Hinge: **stainless steel butterfly hinge or stainless steel split hinge**

Concealed bolt: **Unequal double door, equal double door come standard with stainless steel concealed bolt**

Door leaf surface: **Anti-collision belt and anti-kicking belt can be fixed alternatively**

Door closer: **alternative external door closer or hidden door closer**

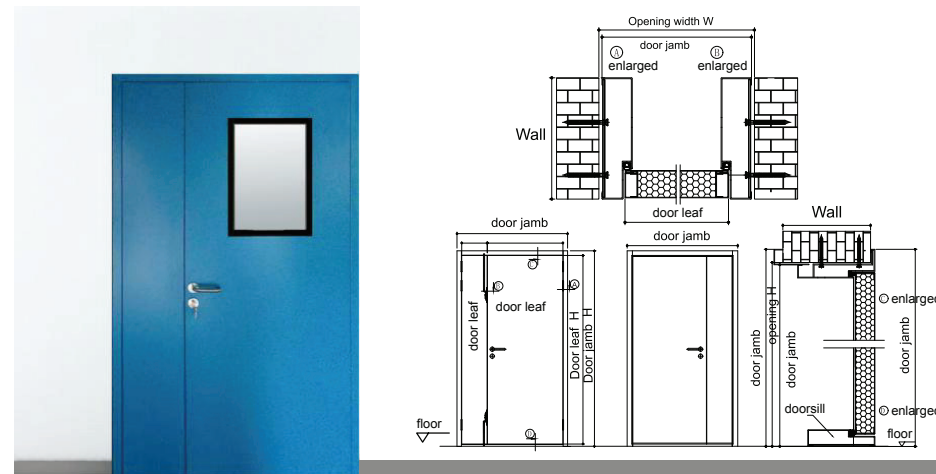
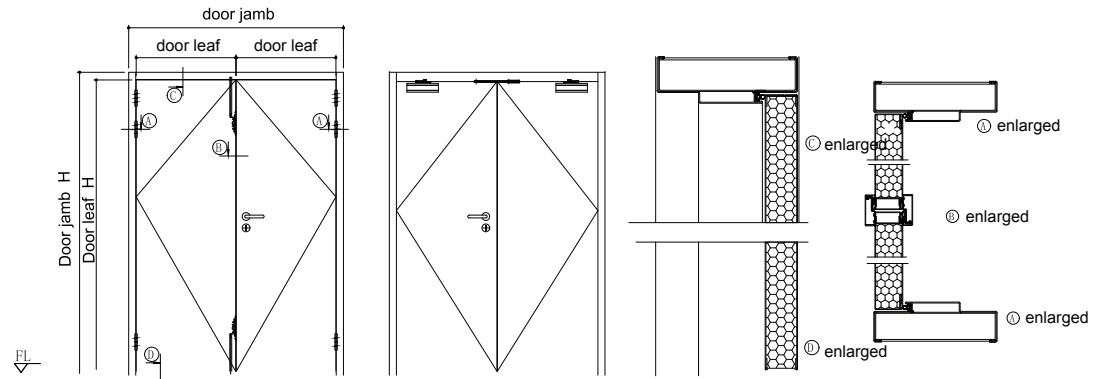
- ◆ The door frame is stainless steel installed by welding or aluminum frames connected with bolts and screws.
- ◆ The material can be galvanized steel plate, wood grain steel plate, stainless steel plate, etc.



Medical Steel Door

Steel double active door

- ◆ It has the characteristics of long life, waterproof, anti-impact, antibacterial, sound insulation, anti-static, fire resistance, etc.
- ◆ This series product technology is widely used in ward doors, examination rooms, doctor's offices and other access channels
- ◆ Different-size windows can be set according to the functional needs of different doors in the hospital
- ◆ Decorative surface can be electrostatic powder coating or stainless steel sheet, a variety of colors for your choice
- ◆ There are many choices of high-quality hardware such as hinges, door locks, door closers, etc. to meet different needs



Specifications

Door type: **Single door, Unequal double door, Double door**

Door size: **Width ≥ 500mm and Height ≥ 1900mm**

Door leaf thickness: **40-60mm**

Door jamb thickness: **100-300mm**

Door leaf material: **0.8 galvanized steel plate / 0.8 wood grain steel plate / 0.8 stainless steel plate**

Door jamb material: **1.5 galvanized steel plate / 1.5 wood grain steel plate / 1.2 stainless steel plate**

Surface treatment: **electrostatic powder spraying or oil painting**

Door leaf filler: **high-strength aluminum honeycomb or highstrength honeycomb paper**

Bright view window: **embedded double tempered glasses/ aluminum framed single tempered glass**

Lock: **stainless steel split handle lock**

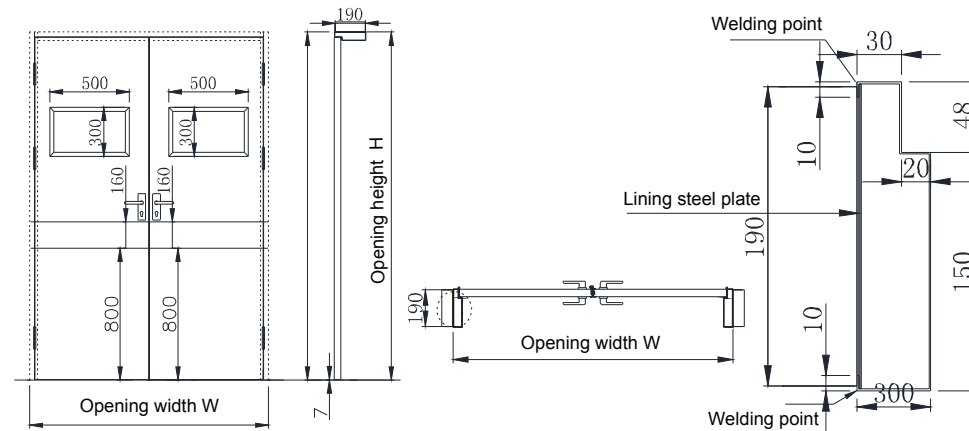
Hinge: **stainless steel butterfly hinge or stainless steel split hinge**

Concealed bolt: **Unequal double door, equal double door come standard with stainless steel concealed bolt**

Door leaf surface: **Anti-collision belt and anti-kicking belt can be fixed alternatively**

Door closer: **alternative external door closer or hidden door closer**

- ◆ The door frame is stainless steel installed by welding or aluminum frames connected with bolts and screws.
- ◆ The material can be galvanized steel plate, wood grain steel plate, stainless steel plate, etc.



Manual Swing Door

Manual swing door (SS304)

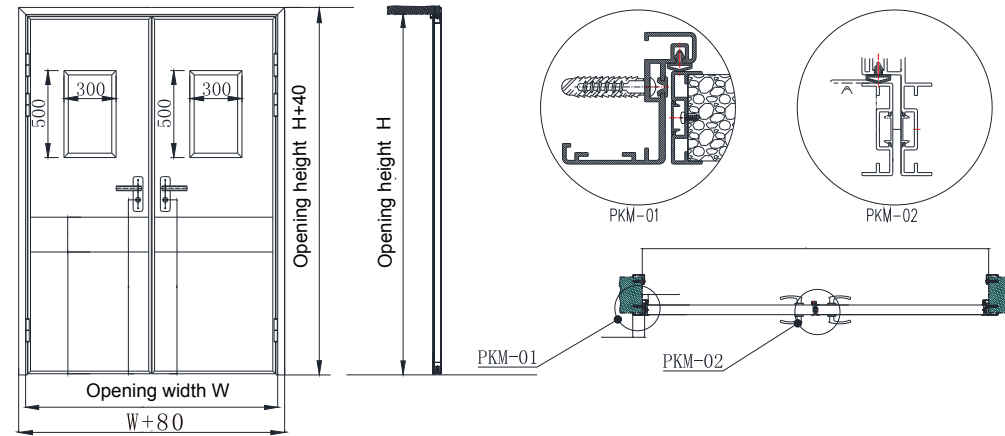
- ◆ Special door for hospital operating room/clean environment
- ◆ Door jamb is stainless steel, door body is stainless steel around, view window is flat double glass(flush with door body) or aluminum framed glass(frames on door face)
- ◆ Door body: Aluminum sheet sprayed powder coating, steel plate sprayed powder coating, stainless steel(SS304) sheet natural color or with powder coating
- ◆ Sealing rubber strip is concealed under the door body, which meets the airtight requirements

Specifications

Door dimension: **width ≥ 700 mm**
 Door body thickness: **45mm-50mm**
 Door body material: **aluminum sheet / steel sheet / stainless steel sheet**
 Surface treatment: **electrostatic powder spraying, dust-free painting or wood grain imitation treatment**
 Glass window: **transparent non-slip glass, steel frames**
 Bolt: **SS304 stainless steel**
 Hinge: **SS304 stainless steel**
 Door stopper: **SS304 stainless steel**

**Note: According to customer's requirements, the door body can be single leaf or double leaves, the door body size provides customized services.*

Door type: **single opening, unequal opening, double opening**
 Door jamb thickness: **made according to customer's wall**
 Door jamb material: **high quality resin sheet/steel sheet spray painting**
 Internal filling: **paper honeycomb, aluminum honeycomb, polyurethane foam**
 Hardware accessories: **high quality hardware accessories**
 Handle: **stainless steel handle**
 Concealed bolt: **for SS304 unequal double door and equal double door**



Manual Swing Door

Manual swing door (Aluminum)

- ◆ Special door for hospital operating room/clean environment, aluminum door body is lighter than SS304
- ◆ Door jamb is aluminum, door body is aluminum around, view window is flat double glass (flush with door body) or aluminum framed glass (frames on door face)
- ◆ Door body: Aluminum sheet sprayed powder coating, steel plate sprayed powder coating, stainless steel (SS304) sheet natural color or with powder coating
- ◆ Indoor use aluminum profile for sealing combined with airtight door body
- ◆ Sealing rubber strip is concealed under the door body, which meets the airtight requirements

Specifications

Door dimension: **width $\geq 700\text{mm}$**

Door body thickness: **45mm-50mm**

Door body material: **aluminum sheet / steel sheet / stainless steel sheet**

Surface treatment: **electrostatic powder spraying, dust-free painting or wood grain imitation treatment**

Glass window: **transparent non-slip glass, steel frames**

Bolt: **SS304 stainless steel**

Hinge: **SS304 stainless steel**

Door stopper: **SS304 stainless steel**

**Note: According to customer's requirements, the door body can be single leaf or double leaves, the door body size provides customized services.*

Door type: **single opening, unequal opening, double opening**

Door jamb thickness: **made according to customer's wall**

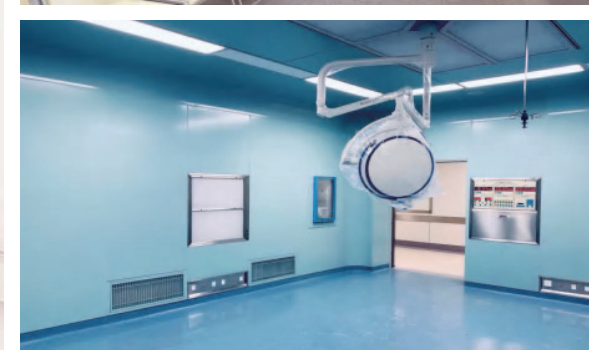
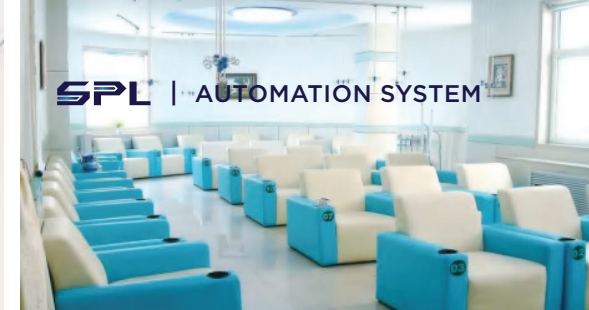
Door jamb material: **high quality resin sheet/steel sheet spray painting**

Internal filling: **paper honeycomb, aluminum honeycomb, polyurethane foam**

Hardware accessories: **high quality hardware accessories**

Handle: **stainless steel handle**

Concealed bolt: **for SS304 unequal double door and equal double door**



Metal Wall

SPL metal wall has the characteristics of light weight, low construction load, convenient installation, detachable and reusable, energy saving and environmental protection, and cost saving. At the same time, it is strong, shock-resistant, flame-retardant, heat-insulating, sound-insulating and other superior space performance.

Product Features

- ◆ The weight of the wall is light and the building load is small, which effectively save the building area.
- ◆ Removable and reusable, easy for users to repair, rebuild and save costs.
- ◆ Sturdy, shock-resistant, flame-retardant, heat-insulating and sound-insulating meet the requirements of modern architectural decoration.
- ◆ There is a specified gap between the metal wall and the building wall for piping and wiring.
- ◆ A variety of colors to meet the requirements of various places such as protective spraying, antibacterial spraying, wood grain finishes, etc..
- ◆ Easy installation, the place can be put into use after decoration completed, no pollution, no waste, environmental protection and energy saving.

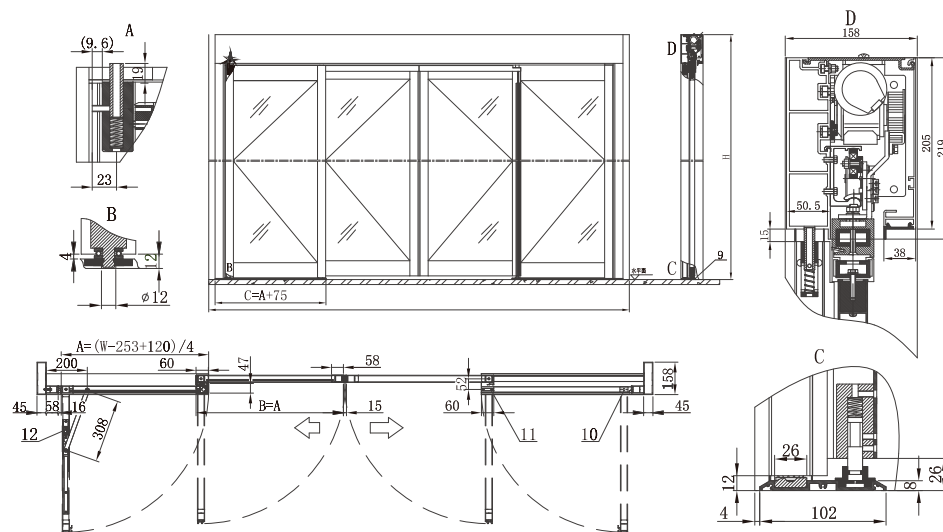
Specifications

Surface material: **0.7mm galvanized steel sheet**
 Backing material: **12 mm gypsum board, corrugated board**
 Standard thickness: **13mm**
 Maximum size: **1200X2950mm**
 Anti-collision performance: **Comply with GB/214155-2008**
 Fire rating: **Class A**
 Installation cost: **lower**

Entrance Door

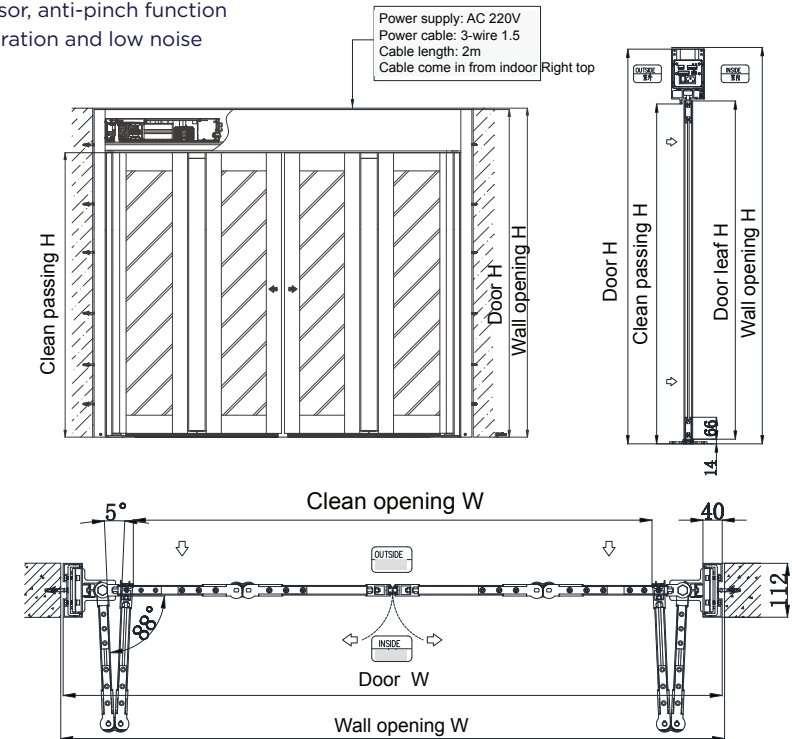
Automatic panic door

- ◆ When the automatic panic door is usually used (less pedestrian flow), it can be controlled by a sensor, that is, when a pedestrian approaches the automatic door, the door opens automatically and closes automatically after passing. The temperature difference between indoor and outdoor can be controlled to achieve the purpose of energy saving.
- ◆ The automatic panic door can be controlled by the five-range function switch to keep the door open when the flow of people is large to ensure all people passing.
- ◆ In the event of an emergency and when personnel evacuation is required, the automatic panic door can be fully pushed open from indoor to outdoor by hand for safety.
- ◆ The automatic panic door is a complete set of profile structure with fluorocarbon paint on the surface, it's beautiful and clean.



Automatic Panic Door

- ◆ The product is suitable for ICU with certain requirements on cleanliness, sanitation and air-tightness Energy-saving insulation, strong air-tightness, pressure resistance and impact resistance
- ◆ Multiple control methods, easy to open
- ◆ Safety sensor, anti-pinch function
- ◆ Stable operation and low noise





Auto-Door Accessories

SPL implements a strict procurement supervision process for auto-door accessories to ensure the safety and quality of our product applications.



Hospital Door Handle
European design
Door panel thickness: 40-60mm



Hospital Door Handle
Door panel thickness: 40-60mm



Microwave Sensor
Model: EAGLE 6
120 X 80 X 50mm, 220g



Infrared Combined Sensor
Model: M-235
220 X 74 X 36mm



Photocell Safety Beam
230g



Foot Inductive Switch
Model: DL36
188 X 175 X 53mm



Hand Inductive Switch
Model: M-201
131 X 63 X 20mm, 70g



Code Card Reader
Model: DM-12
113 X 38 X 12mm



Wireless Touch Switch
Model: DL30
131 X 34 X 13mm
98 X 47 X 30mm



Hand Wave Touchless Switch
Model: DL56
86 X 86 X 7mm



Operation Light



Hospital Door Handle
(outside of the room)



Touch Type Exit Button
Model: DL52
86 X 86 X 7mm



DL 56

Panel material:
high-tech vacuum plating alloy
 Panel thickness:
2.0 anti-fingerprint tempered glass



DL 36

Panel material: **SS304**
 Dimension:
188 x 175 x 53mm



European design
 handle



Single handle
440 / 660mm



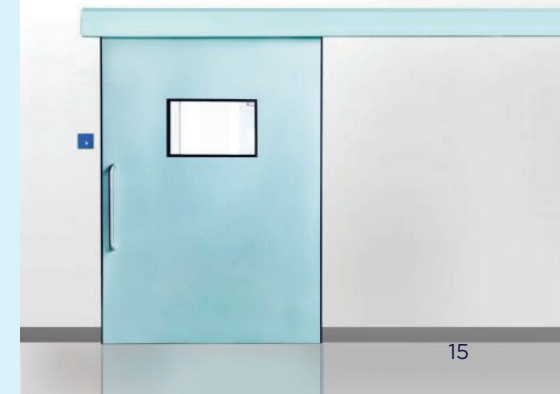
DL 52

Panel material:
high-tech vacuum plating alloy
 Panel thickness:
2.0 anti-fingerprint tempered glass



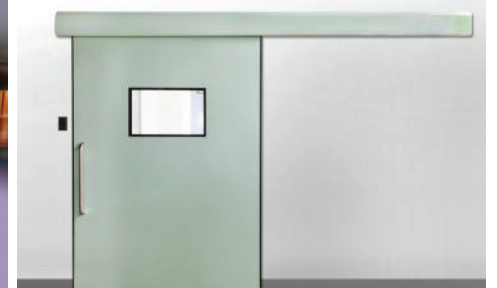
DM-12

Panel material: **ABS box**
 Panel thickness: **12mm ,**
very thin





SPL
Projects



Door Material/ Color Chart

Door material:

Aluminum sheet/
Stainless steel/
Glass tempered .



SPL
Projects



There are dozens of colors for customers to choose from Deper's color book, also we can customize colors according to customers' requirements.



DP-01
Medium Blue



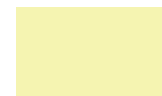
DP-02
Light Blue



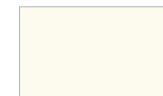
DP-03
Medium Green



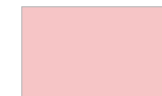
DP-04
Light Green



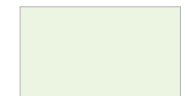
DP-05
Cream



DP-06
Milky White



DP-07
Pink



DP-08
Youthful White



DP-09
Blue Gray Matt



DP-10
Blue Matt



DP-11
Group Blue



DP-12
Matt White

Above are the most popular colors, more colors can be provided accordingly.