

INSTRUCTION FOR USE

Tripell Bird Repellent Gel



Smarter Choice for Pest Free Environment

For more information please visit

WWW.PESTLINE.COM.MY

FB: www.facebook.com/pestline.com.my/

Tripell Bird Repellent Gel

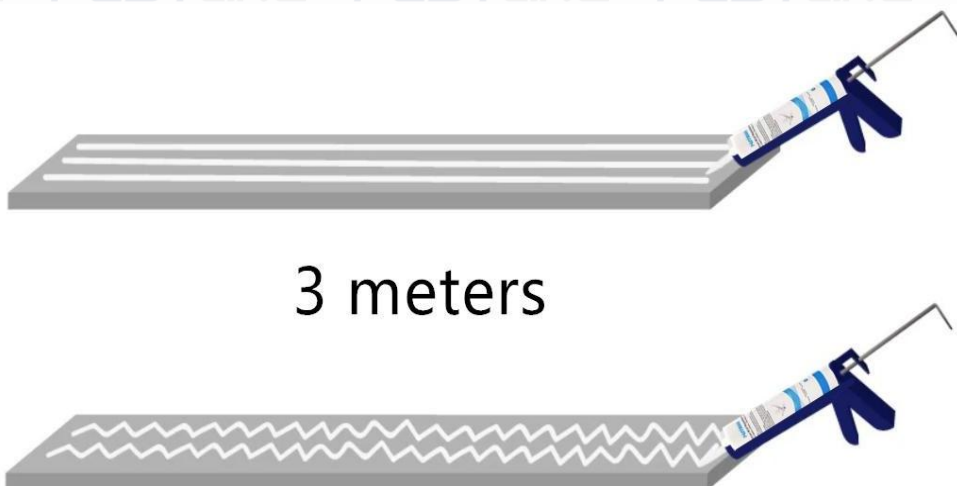
Application Method

Prepare the Tools: Use a standard caulking gun to apply the gel.

Surface Preparation: Clean the surface before applying the gel. Remove dirt, bird droppings, or old nests and use a wire brush or scraper to ensure the surface is free of dust. Porous surfaces like unpainted wood should be sealed before applying the gel.

1. Load the tube securely into a standard caulking gun.
2. Gently press the gun trigger to apply the gel in continuous strips, zigzag patterns, or dotted circles (spaced 20-30 cm apart).
3. For high-activity areas (e.g., ledges, beams), apply parallel strips 5-10 cm apart for enhanced coverage.
4. Refresh every 6-12 months in outdoor environments.

A tube will treat approximately 3 meters (10 feet) if you apply a 1cm-wide line.



Specific Application Areas:

Beams, Braces & Steel Structures: Structural steel appears at many outdoor and indoor locations including aircraft hangars, loading docks, amusement park or race track decks, plant interiors, etc. Birds frequently roost in these areas. Applicators may be able to apply by walking along beams and braces with the caulking gun in hand and laying as many lines as necessary. Movable cranes and lift hoists are helpful where available. In other situations, ladders and additional equipment will facilitate application. The actual dosage required will be determined by the severity of the bird problem.

Roof Ridges and Eaves: Apply a continuous line along the ridges, eaves, and dormers of the roof to prevent birds from roosting

Chimneys: Apply lines around the outer edge of the chimney cap and along the flashing where the chimney joins the roof. This area is a common nesting spot for birds seeking warmth and shelter.

Bell Towers and Steeples: Apply a continuous line along to treat the entire length of ridges and areas where birds might roost. Consider hiring professional help (e.g., steeplejacks) for difficult-to-reach areas.

Signage and Marquees: For lighted signs or marquees, first turn off electrical current. Apply gel to supporting beams, braces, and under the marquee where birds are most likely to roost. Measure the sign's length and estimate gel needs accordingly.

Monuments and Curved Surfaces: For curved or monument surfaces where birds tend to roost, apply gel in areas of previous activity or in locations that are likely to attract birds.

Balcony Floors: Treat the floor beneath the railing, applying a line 3cm in from the edge.

Railing Edges: On railings that are frequently used by birds, apply gel along the top edge to prevent landing. Remove the tape once the birds no longer return to the treated area.



Removal of Gel:

You can dissolve the gel with mineral spirits or alcohol and then wipe it off. If you just want to do a rough clean, you can also wipe it off directly with newspaper and then rinse it with clean water.

Our Location

Factory, Head Office

No: 6 & 8, Jalan Ekoperniagaan 1/16, Taman Ekoperniagaan,
81100 Johor Bahru, Johor Malaysia

SELANGOR BRANCH (Central Regional)

10, Jalan TPK 1/3, Taman Perindustrian Kinrara,
47100 Puchong, Selangor, Malaysia

Contact us at:

PESTLINE MANUFACTURING SDN BHD

PESTLINE SDN BHD

Office Hours : 8.30 am - 5.30 pm (Monday to Friday)

Tel : +607 562 5151 (OFFICE)

Fax : +607 562 6119

Email : inquiry@pestline.com.my

Website : www.pestline.com.my

Made in MALAYSIA

Since Years 2011