



ZULO 30W



ZULO 50W



ZULO 100W

LUMINAIRE SPECIFICATIONS

- **Power** 30W
50W
100W
- **Fitting Material** Non-Corrosive Die-Cast Aluminium
- **Fitting Color** Black
- **Optical Cover** Transparency Tempered Glass
- **Ingress Protection** IP65
- **Impact Protection** IK08
- **Voltage** 220 ~ 240 Vac 50 / 60Hz
- **Electrical Safety Class** Class I
- **Operating Temperature** -30 ~ +45°C
- **Installation** Mounting Bracket
- **Surge Protections** Yes, 4kV
- **Pre-Wire** 300 mm

APPLICATION

- Parks, Gardens, Facade Lightings, Parking Areas, Commercial and Residential Areas

LED MODULE SPECIFICATIONS

- **Color Temperature** 3000K Warm White
5700K Daylight
- **Color Rendering Index (CRI)** >70
- **L70** 100,000 Hrs @ 25°C
- **PCB Material** Metal Core

FEATURES

- Built-In IC Technology
- Direct AC Supply Connection (220 ~ 240 Vac 50 / 60Hz)
- No External Driver Required
- High System Efficiency
- Mid Power LEDs
- Thin & Lightweight Size
- Internal Surge Protection Devices (SPD)

COMPLIANCE STANDARD

- **LED** LM80
- **Luminaire** EN60598-1, EN60598-2-5, EN62493, EN55015, EN61547, EN61000



MEASUREMENT & ORDER CODE

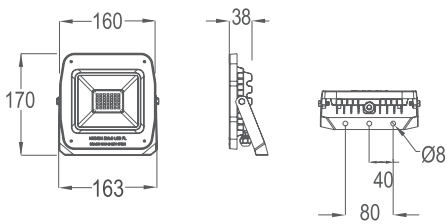
WATTAGE	ORDER CODE	TYPICAL LUMINOUS FLUX	TYPICAL WATTAGE	CARTON DIMENSION (L x W x H) mm	NETT WEIGHT
30W	K10140 30W	3150	30	Inner : 180 x 180 x 40 Outer: 460 x 380 x 195 * 20 pcs per carton	0.7 kg
50W	K10141 50W	5250	50	Inner : 210 x 210 x 50 Outer: 440 x 275 x 230 * 10 pcs per carton	1.0 kg
100W	K10142 100W	10800	100	Inner : 328 x 328 x 58 Outer: 620 x 340 x 345 * 10 pcs per carton	2.8 kg

* Please indicate LED color temperature when ordering.
* All result tested base on 5700K CCT LEDs.



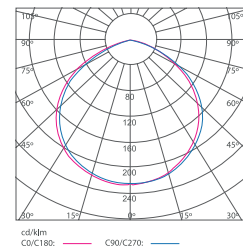
DIMENSION

ZULO K10140 30W

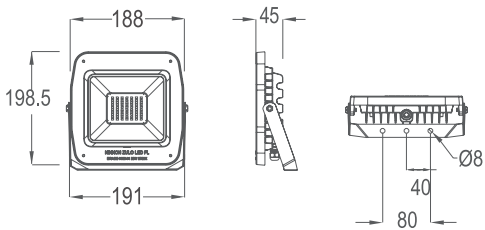


PHOTOMETRIC

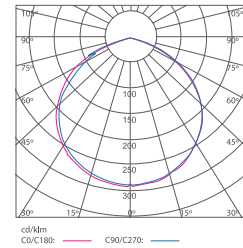
ZULO K10140 30W



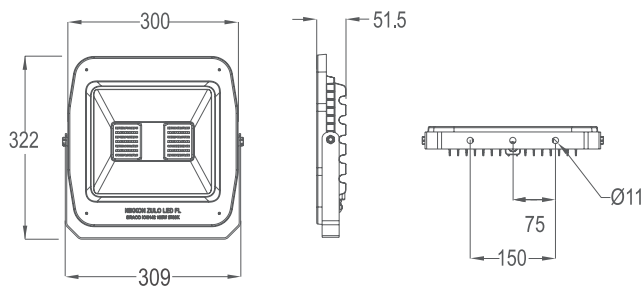
ZULO K10141 50W



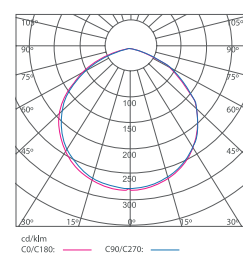
ZULO K10141 50W



ZULO K10142 100W



ZULO K10142 100W





ZULO 150W



ZULO 200W

LUMINAIRE SPECIFICATIONS

- Power 150W
200W
- Fitting Material Non-Corrosive Die-Cast Aluminium
- Fitting Color Black
- Optical Cover Transparency Tempered Glass
- Ingress Protection IP65
- Impact Protection IK08
- Voltage 220 ~ 240 Vac 50 / 60Hz
- Electrical Safety Class Class I
- Operating Temperature -30 ~ +45°C
- Installation Mounting Bracket
- Surge Protections Yes, 4kV
- Pre-Wire 300 mm

APPLICATION

- Parks, Gardens, Facade Lightings, Parking Areas, Commercial and Residential Areas

LED MODULE SPECIFICATIONS

- Color Temperature 3000K Warm White
5700K Daylight
- Color Rendering Index (CRI) >70
- L70 100,000 Hrs @ 25°C
- PCB Material Metal Core

FEATURES

- Built-In IC Technology
- Direct AC Supply Connection (220 ~ 240 Vac 50 / 60Hz)
- No External Driver Required
- High System Efficiency
- Mid Power LEDs
- Thin & Lightweight Size
- Internal Surge Protection Devices (SPD)

COMPLIANCE STANDARD

- LED LM80
- Luminaire EN60598-1, EN60598-2-5, EN62493, EN55015, EN61547, EN61000



MEASUREMENT & ORDER CODE

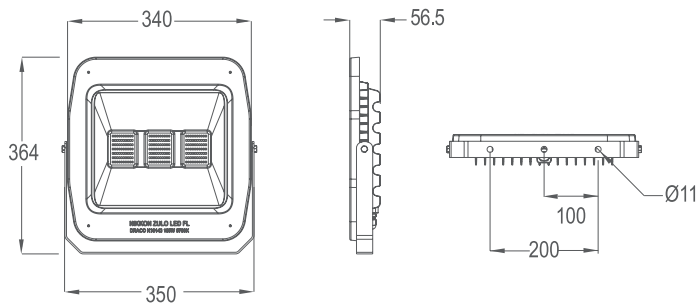
WATTAGE	ORDER CODE	TYPICAL LUMINOUS FLUX	TYPICAL WATTAGE	CARTON DIMENSION (L x W x H) mm	NETT WEIGHT
150W	K10143 150W	13500	150	Inner : 375 x 375 x 67 Outer: 390 x 370 x 395 * 5 pcs per carton	3.6 kg
200W	K10144 200W	18000	200	Inner : 420 x 420 x 72 Outer: 435 x 395 x 440 * 5 pcs per carton	4.7 kg

* Please indicate LED color temperature when ordering.
* All result tested base on 5700K CCT LEDs.



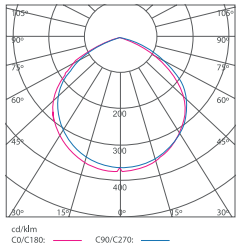
DIMENSION

ZULO K10143 150W

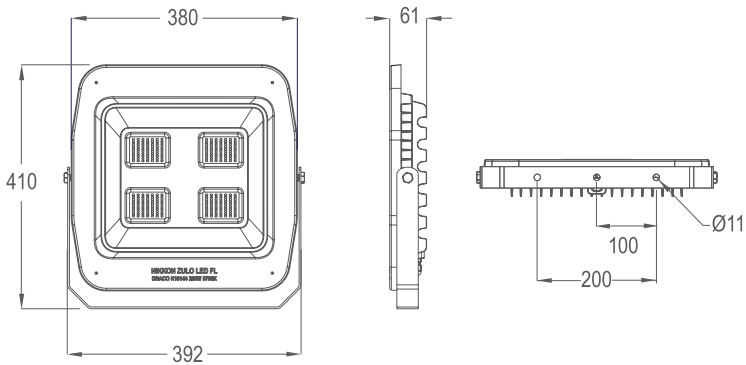


PHOTOMETRIC

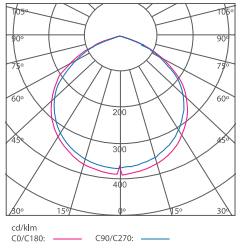
ZULO K10143 150W



ZULO K10144 200W



ZULO K10144 200W



Note: All specifications are subject to change without prior notice for product improvement. Images, pictures, and illustrations used are for illustrative purposes only and the color printed may differ from the actual product.