

HENG POH GLASS ALUMINIUM SDN BHD

hengpohglass.com.my

**Modular Glass Partitions &
System Glazing Solutions**





A manufacturer integrating **Design, R & D, Production** and **Sales** of aluminum profiles, glass partitions and doors.

Heng poh has committed to providing **one-stop office partition solutions** for clients globally, making clients' idea of office divisions coming true **easily and economically**.

- Own production manufacturer
- Advanced production equipment & technology
- Mechanized precision cutting
- On-site efficiency assembly
- Odorless, Pollution-free, Eco-friendly



Scope of Business



30+

30+ Export countries



500+

500+ Global Partners



12000+

Annual Global
Marketing 120+ Million



- China
- United State
- Japan
- Germany
- Singapore
- United Kingdom
- Canada
- Gambia
- Malaysia
- Philippines
- Zambia
- Vietnam
- Cambodia
- Saudi Arabia
- Nigeria
- France ...

Service Tenet



*High-Quality
Products*



*Competitive
Pricing*



*Online Installation
Guidance*



*Customer-Centric
Approach*



*Energy
Efficiency*



*One-Stop
Solution*



Engineering Case (Partial)

BYD



阿道夫®



PATEO®



To be continued..

Concealed Frame Decorative Panel Door

PART
01



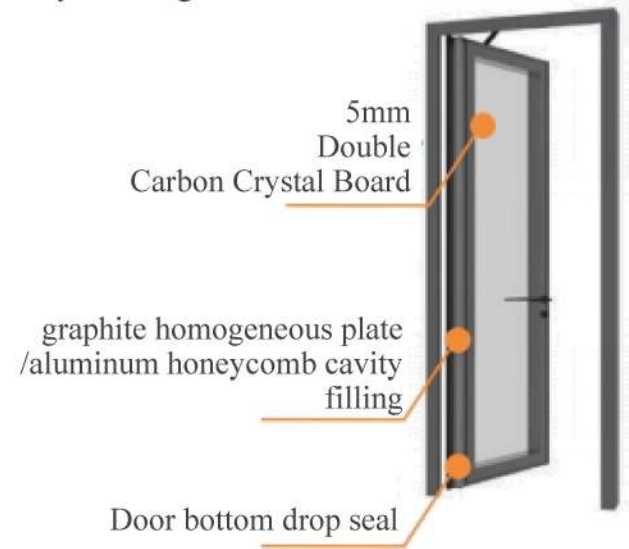


Decorative Panel Door



Framed glass door that are designed in tandem with the system to deliver exceptional sound insulation without compromising on transparency or design freedom.

-  Rw Acoustic Rating (Rw38)
-  Fast Installation
-  Fully Demountable System
-  Customisable Color



External Flush

Decorative Panel Door



External Flush Aluminum Wood Door

Product Code: HYAWD60

System Type: Double Panel Flush Door

Door Thickness: 60mm/90mm

Coatings Finishing: Powder Coated Matt Black/White/Gray/Customisable

Decorative Panel: High density board/Carbon crystal plate/Steel plate/Aluminum plate

Specifications: 5mm+5mm Decorative panel + Graphite homogeneous plate

/Aluminum honeycomb cavity

Ironmongery: Heng Poh Standard Ironmongery

(lever handle, lock, 304 SS hinge, drop seal, door stopper)

Acoustic Rating: Rw38dB



Floor Spring Double / Single Glazed Door

PART
02





Framed glass door that are designed in tandem with the system to deliver exceptional sound insulation without compromising on transparency or design freedom.



Access control electric floor spring door is available



Fast Installation



Fully Demountable System



Customisable Color



Floor Spring Door



**Visible Frame
Double / Single
Glazed Door**

**PART
03**



Single Glazed Door

Framed glass door that are designed in tandem with the system to deliver exceptional sound insulation without compromising on transparency or design freedom.



Rw Acoustic Rating (Rw31)



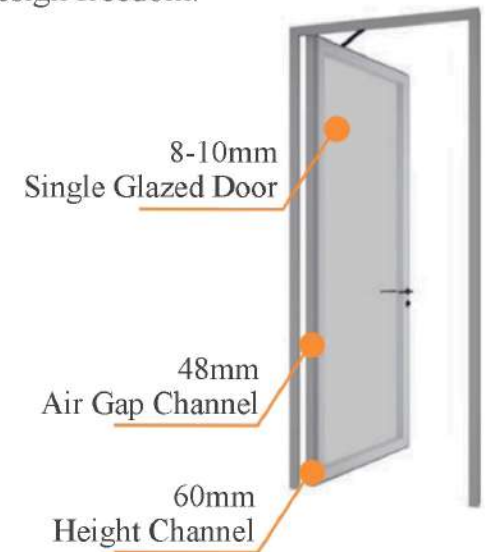
Fast Installation



Fully Demountable System



Customisable Color





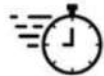
Double Glazed Door



Framed glass door that are designed in tandem with the system to deliver exceptional sound insulation without compromising on transparency or design freedom.



Rw Acoustic Rating (Rw38)



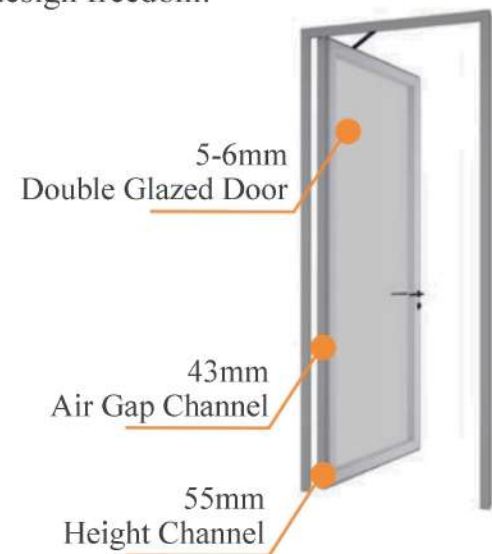
Fast Installation

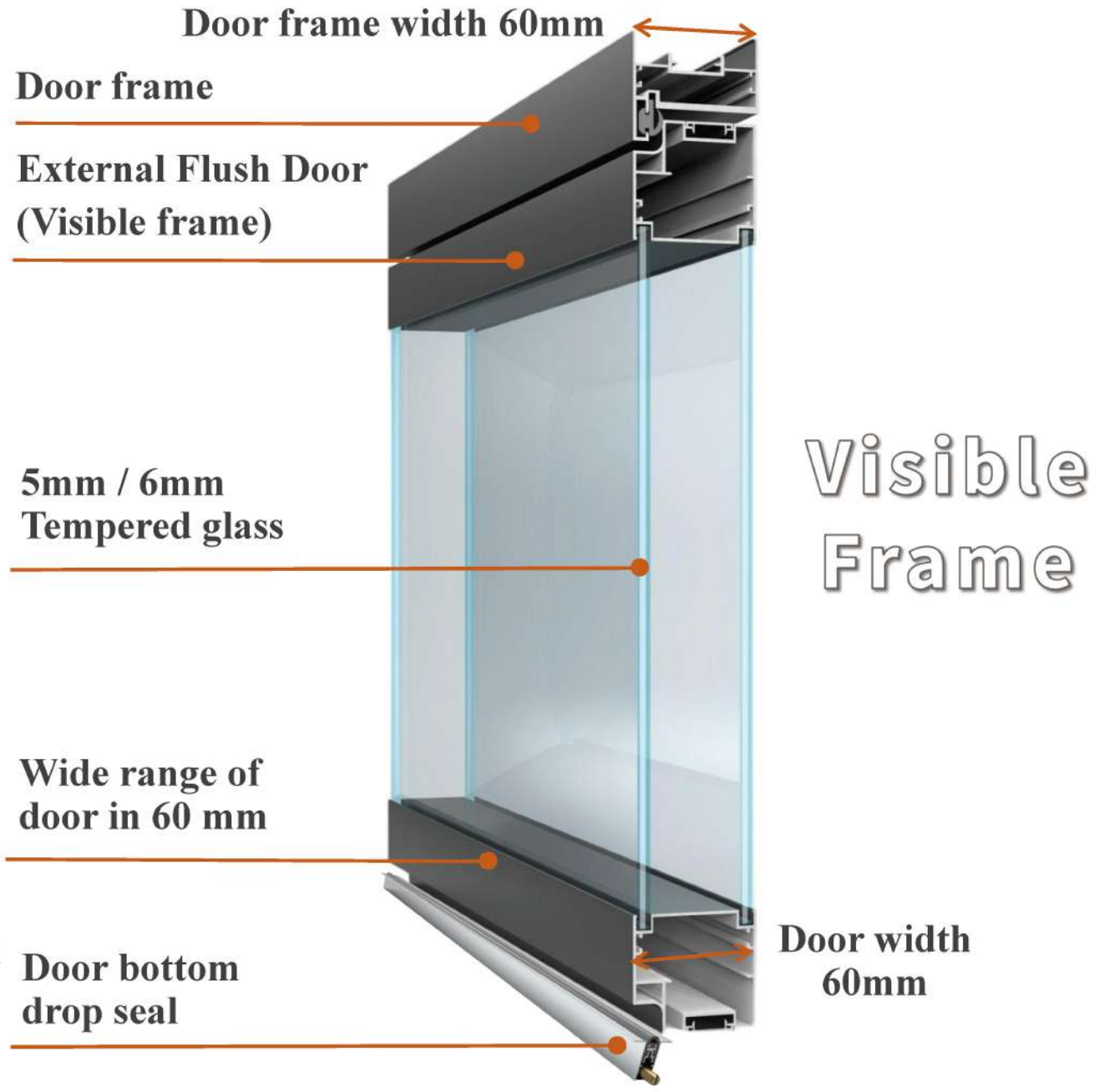
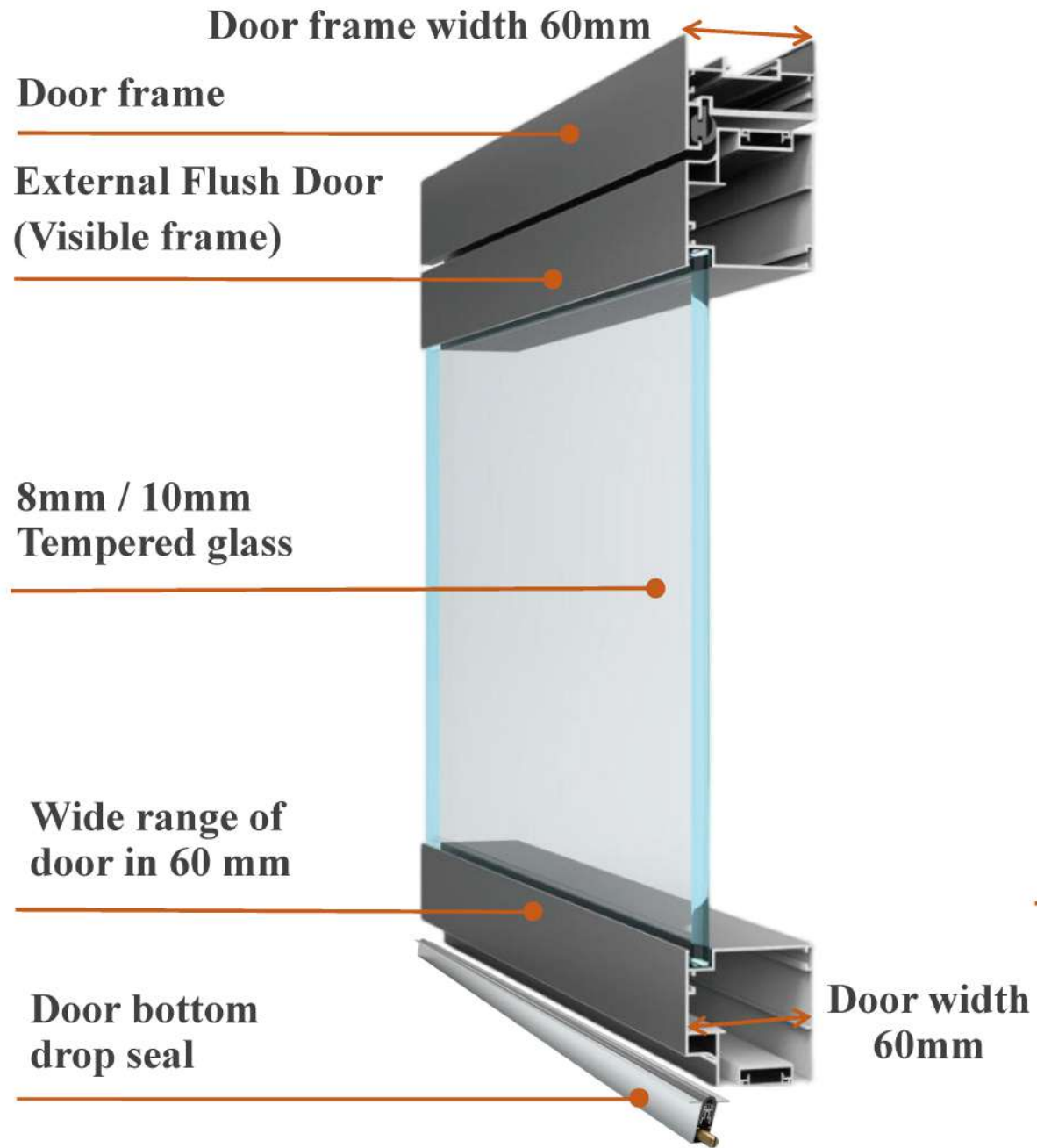


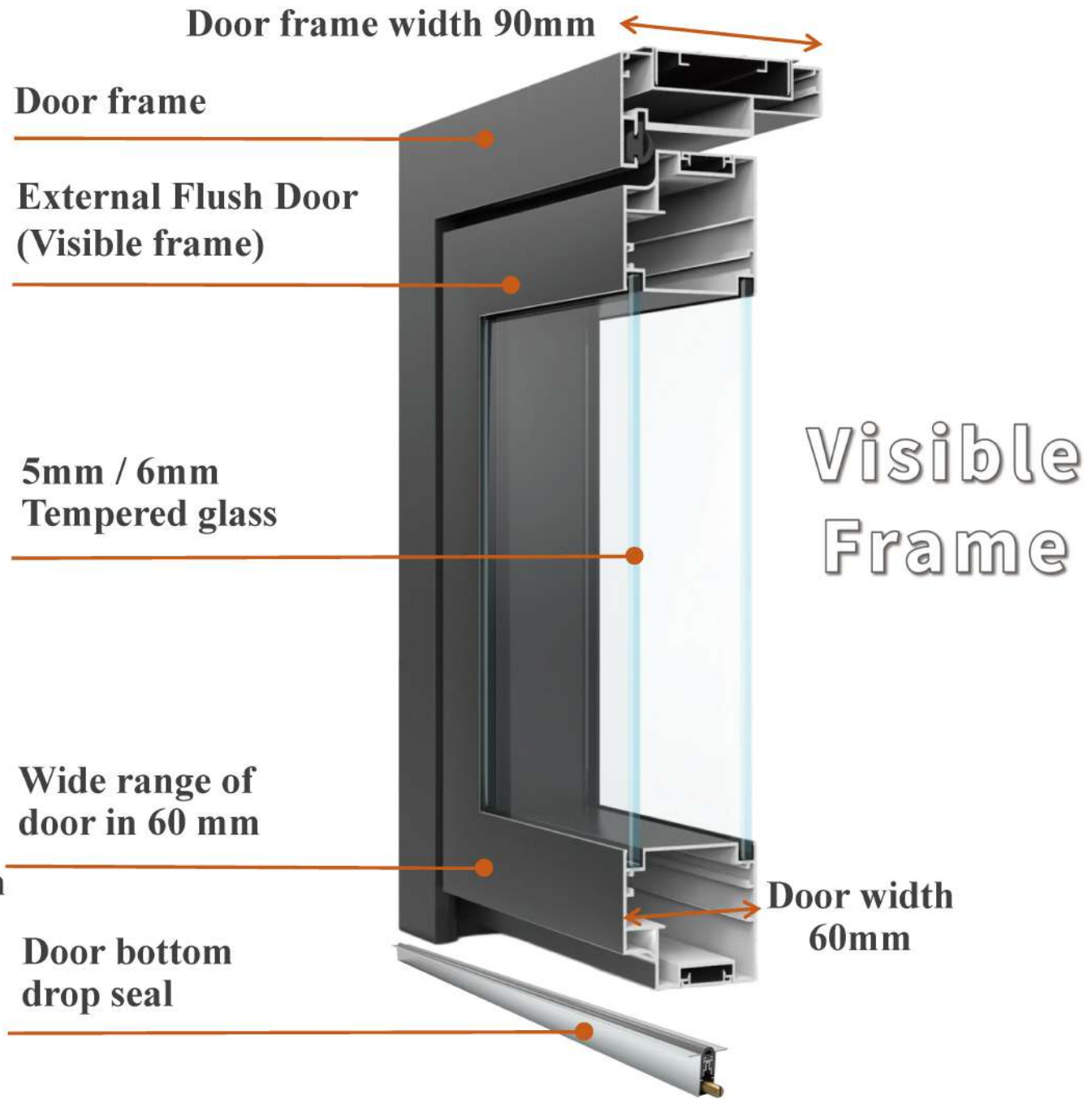
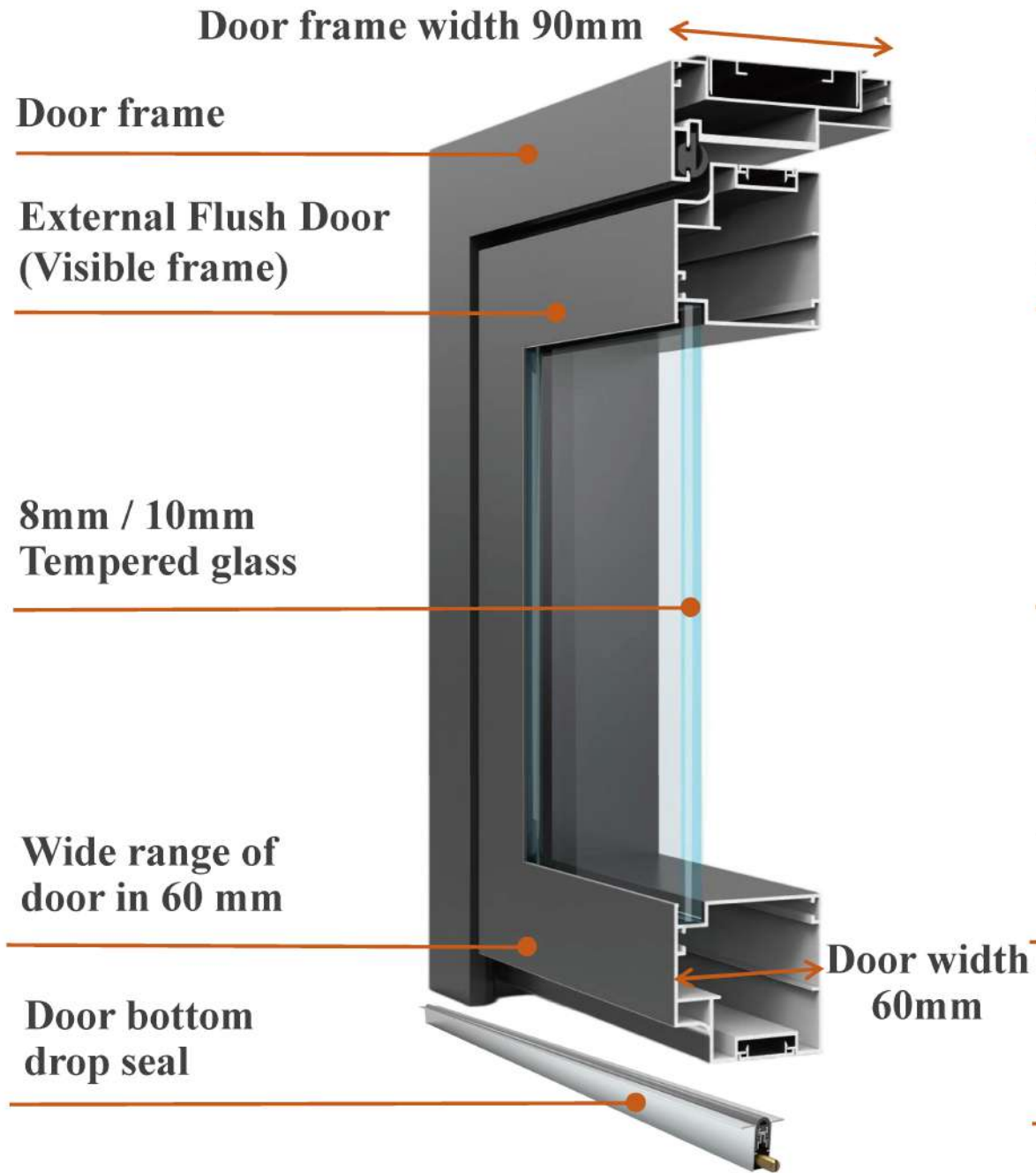
Fully Demountable System



Customisable Color







Door frame width 108mm

Door frame

External Flush Door
(Visible frame)

8mm / 10mm
Tempered glass

Wide range of
door in 60 mm

Door bottom
drop seal

Door width
60mm

Door frame width 108mm

Door frame

External Flush Door
(Visible frame)

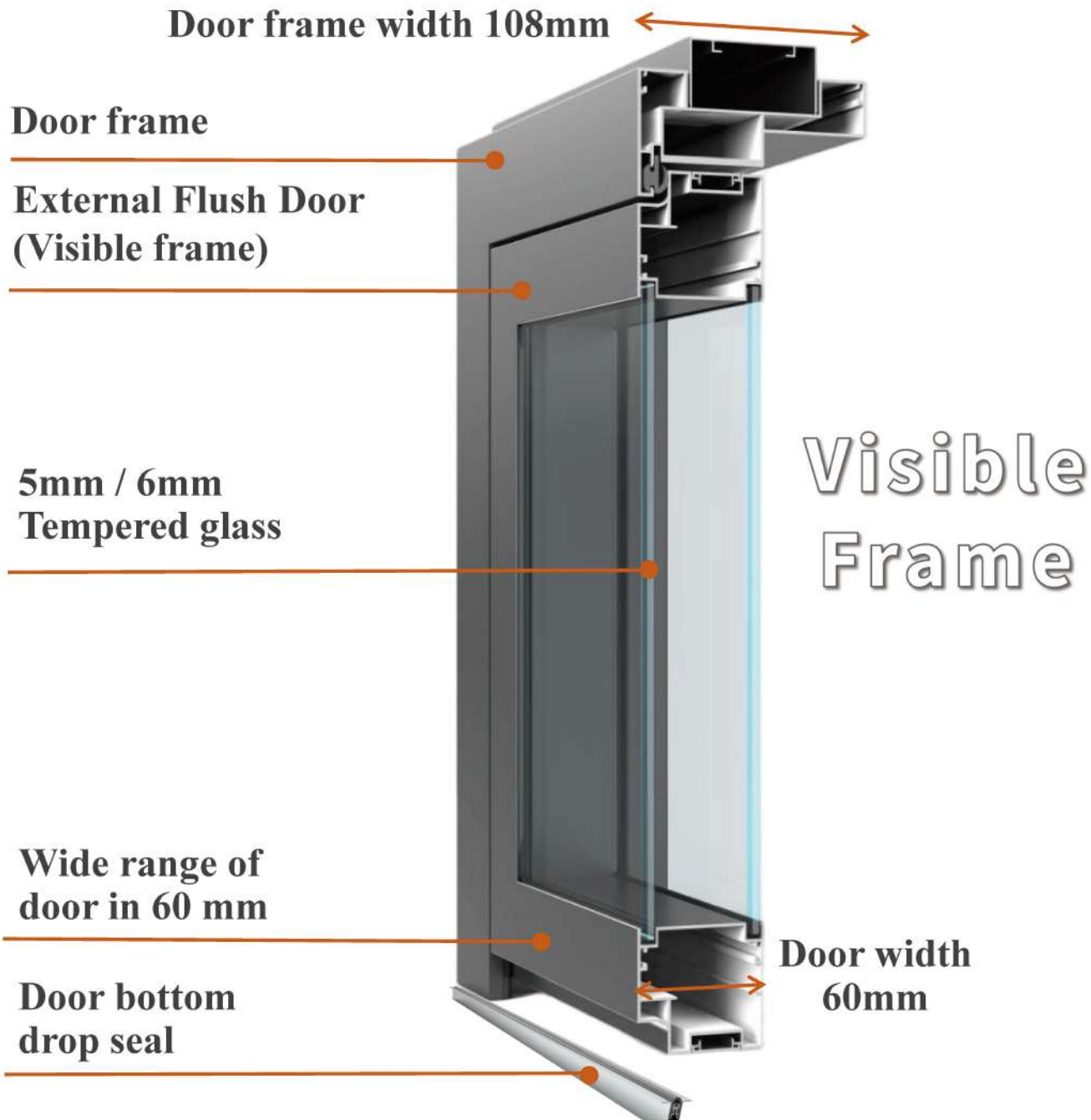
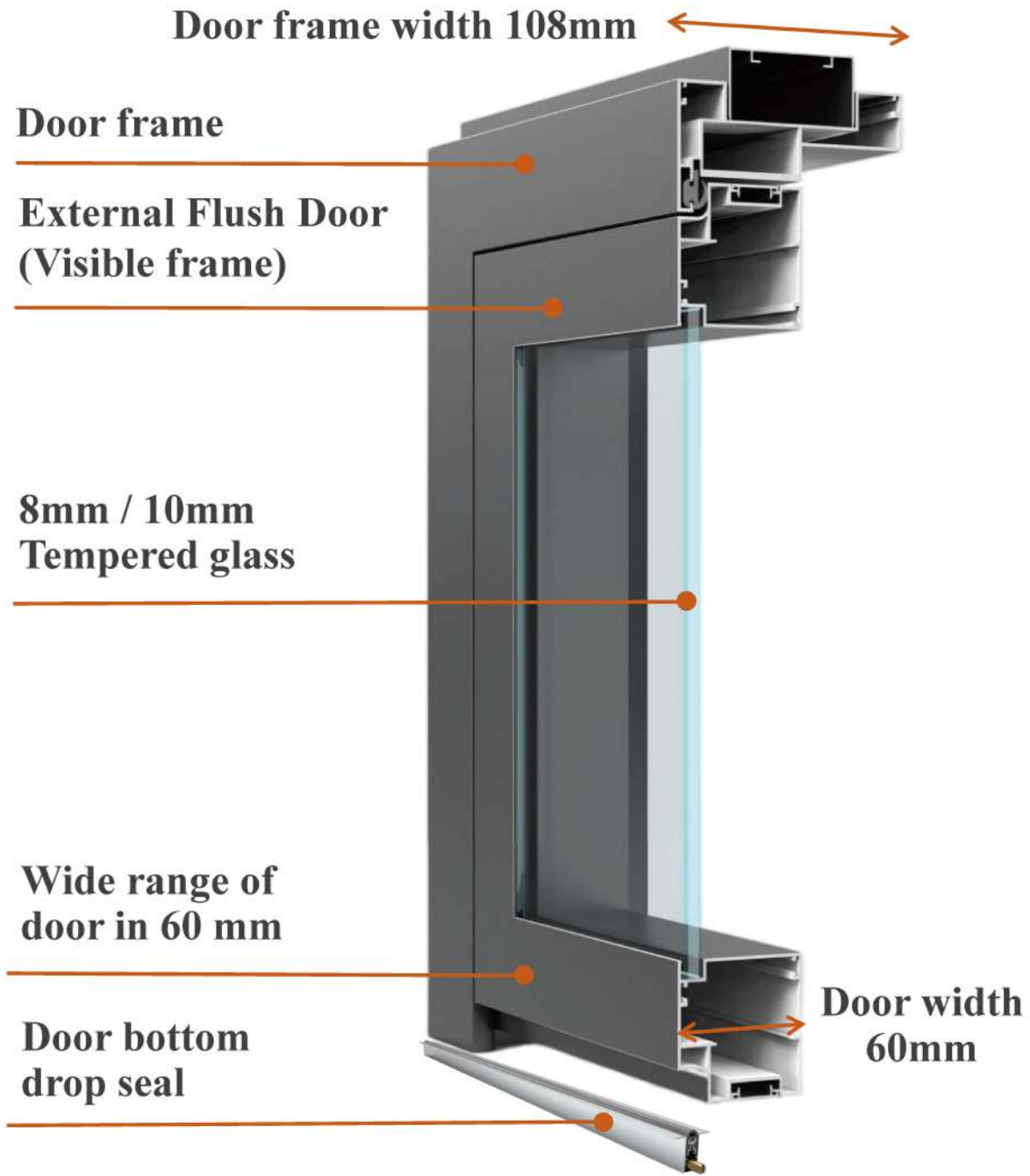
5mm / 6mm
Tempered glass

Wide range of
door in 60 mm

Door bottom
drop seal

Door width
60mm

Visible
Frame



Concealed Frame Double / Single Glazed Door

PART
04





Framed glass door that are designed in tandem with the system to deliver exceptional sound insulation without compromising on transparency or design freedom.



Rw Acoustic Rating (Rw31)



Fast Installation



Fully Demountable System

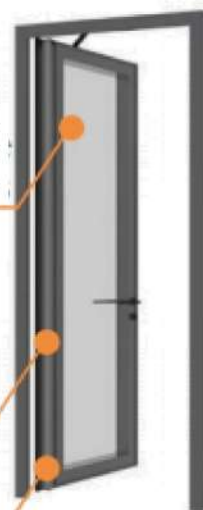


Customisable Color

5-6mm
Single Glazed Door
c/w Painted Border

54mm
Air Gap Channel

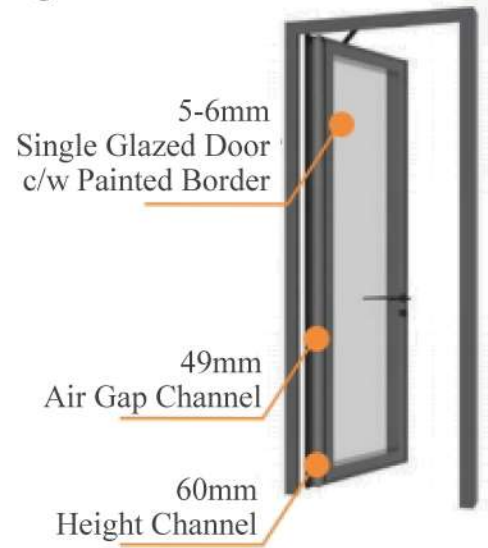
60mm
Height Channel

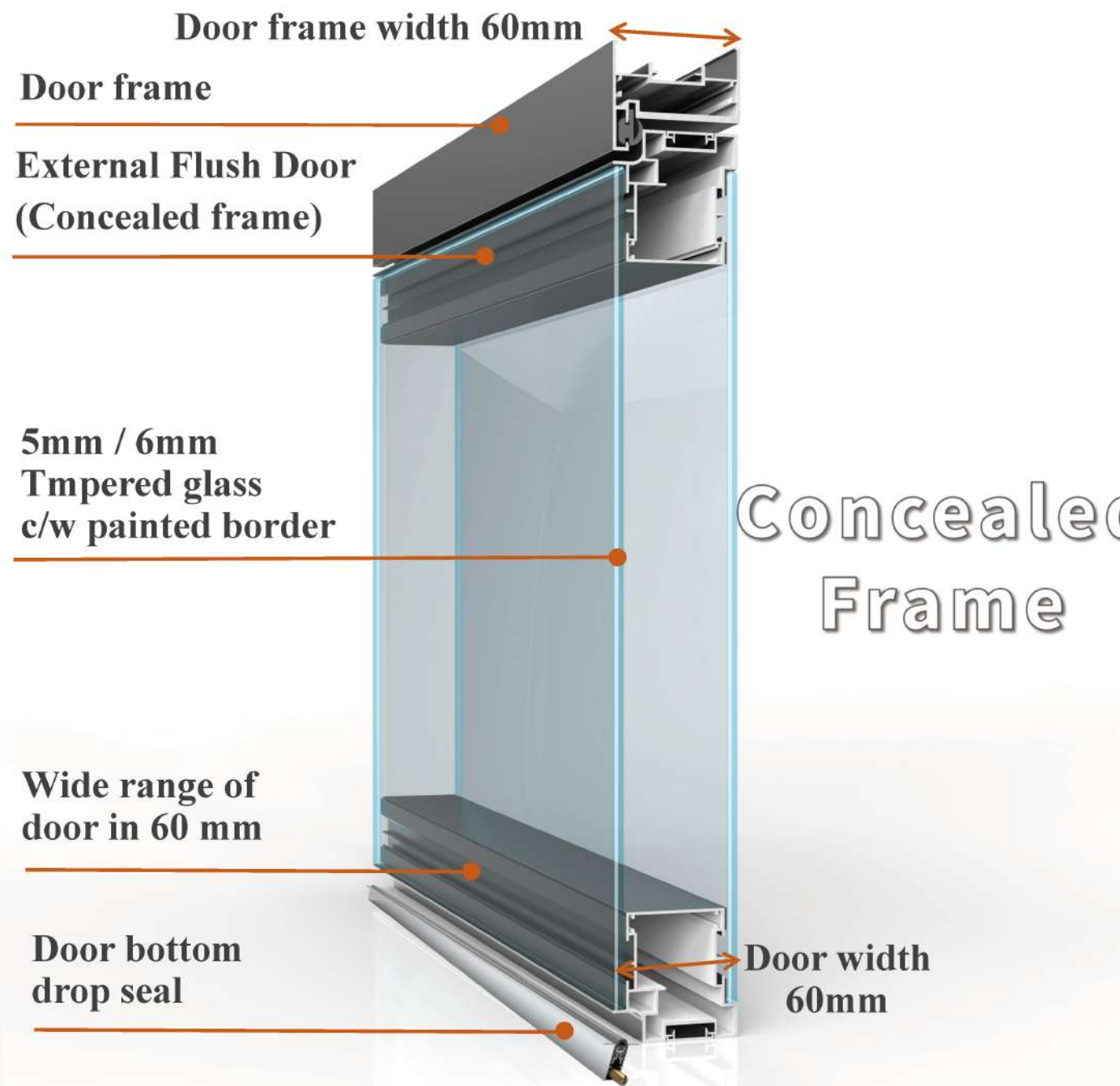
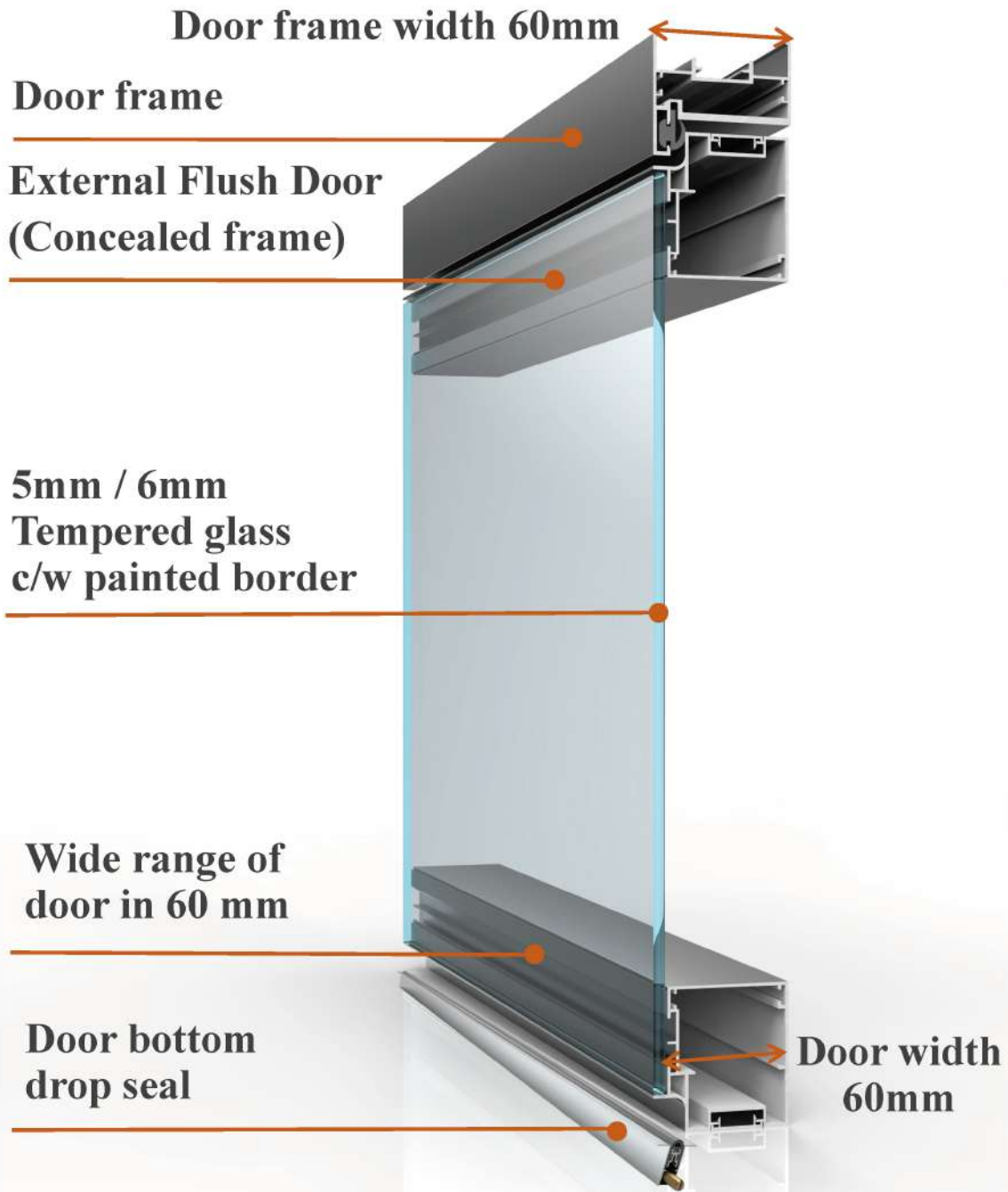


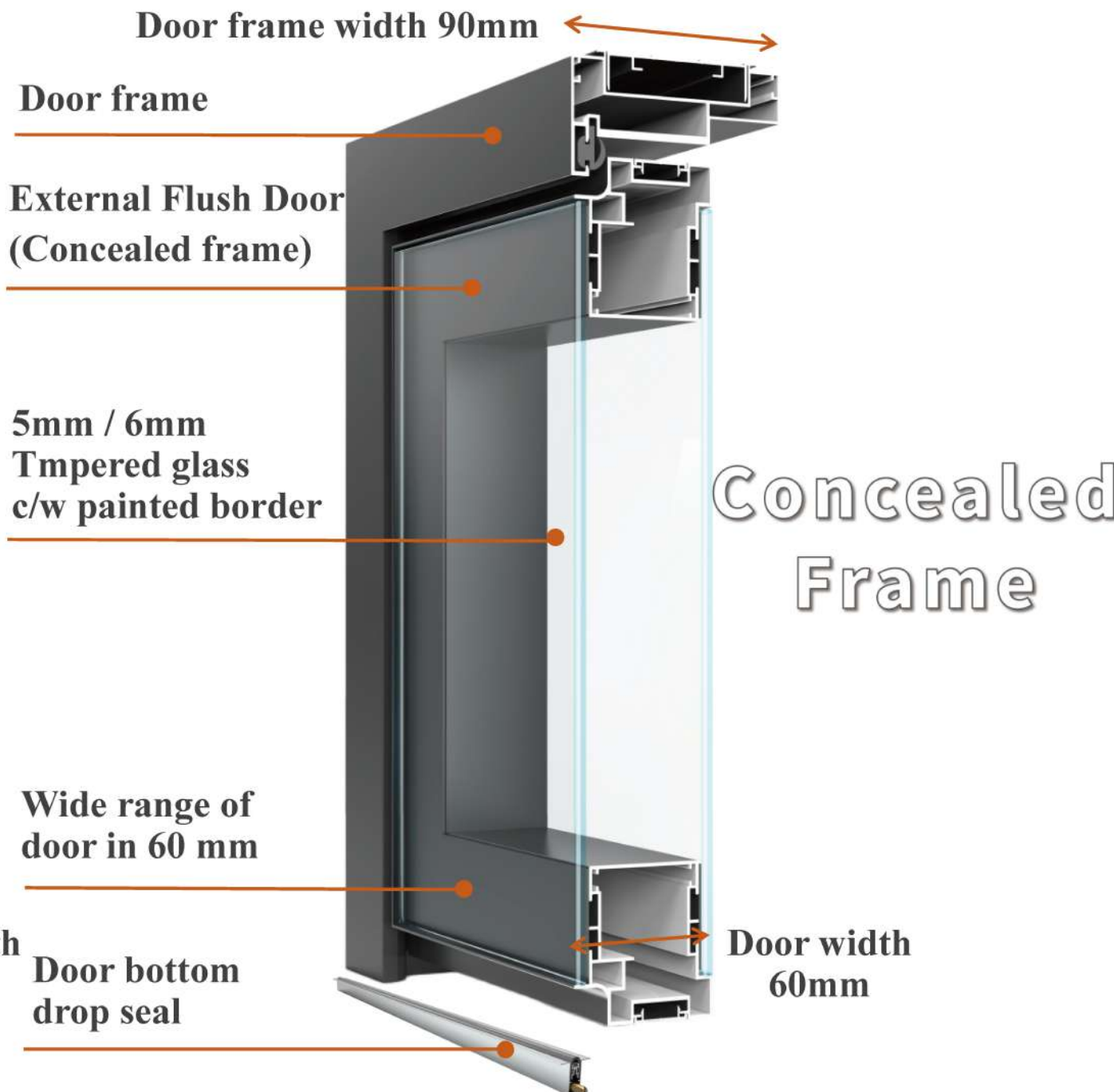
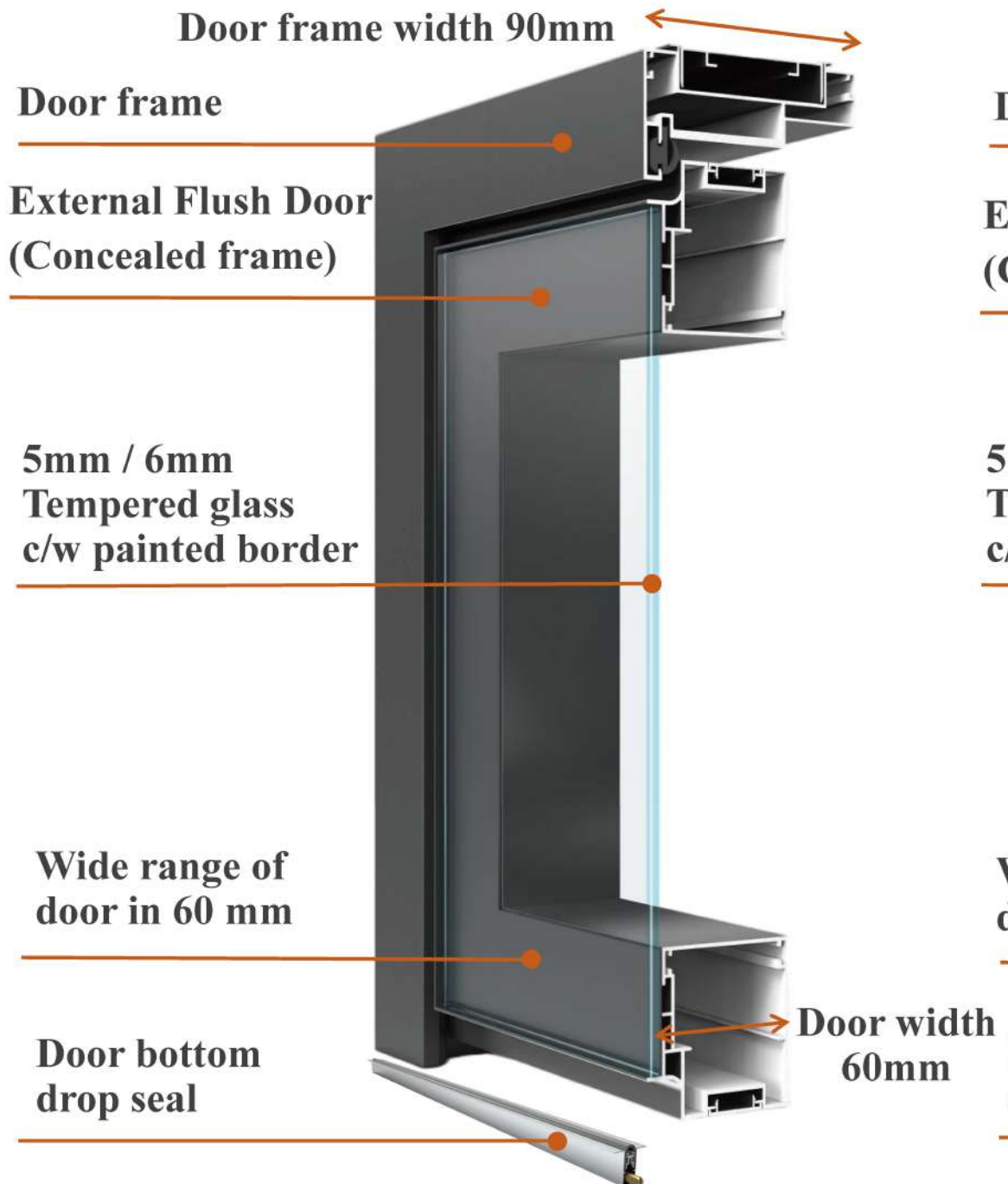


Framed glass door that are designed in tandem with the system to deliver exceptional sound insulation without compromising on transparency or design freedom.

-  Rw Acoustic Rating (Rw38)
-  Fast Installation
-  Fully Demountable System
-  Customisable Color







Movable / Sliding Door / Partition

PART
05

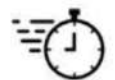




Movable / Sliding Door /Partition



Framed glass door that are designed in tandem with the system to deliver exceptional sound insulation without compromising on transparency or design freedom.



Fast Installation



Fully Demountable System



Customisable Color





HENG POH LIVING WALL

Project References



HENG POH LIVING WALL

Project References



HENG POH LIVING WALL

Project References

Panoramic Partition

PART
06



Optimum transparency,
performance and flexibility
come together intelligently
in the state-of-the-art
panorama partition heng poh
Make the most of the
grandeur and expansiveness
of your space with
Panorama.



Panoramic View



Remountable

Sustainability and circularity are in the center of heng poh Partition Walls design. The ability to reuse our products is both good for the environment and also the flexibility of your space.

The key sustainability features of Panorama:

- Completely remountable
- Raw materials are fully recyclable and reusable without loss of quality
- No adhesives or use of harmful substances

HENG POH ' s Panoramic Series persist on sustainability and circularity. All parts can be dismantled and reused without any problems.

No matter what layout you choose, everything is easy to implement and adapt later.

Flexibility



Communicate & Work together

Hybrid working is the new norm.

An open and transparent work environment promotes contact between employees and ensures better teamwork. Transparency also contributes to employee well-being and productivity by providing more daylight.

In addition, visual privacy is equally important to people's sense of well-being. Therefore, combine panoramic partition with electric blinds to achieve visual privacy.





Transparency

The panoramic series allow you to achieve maximum transparency in the interior due to the absence of profiles.

The minimalist design of this system creates a super sleek and seamless whole combined with excellent functional performance.



Panoramic Series also allows you to enrich an interior design with curved transparent walls. HENG POH offer you considerable design versatility.



Curved

Ceiling profile

10mm / 12mm
tempered glass

Profile height
25mm

Floor profile

Partition width
60mm

Door frame

External Flush Door
(Visible frame)

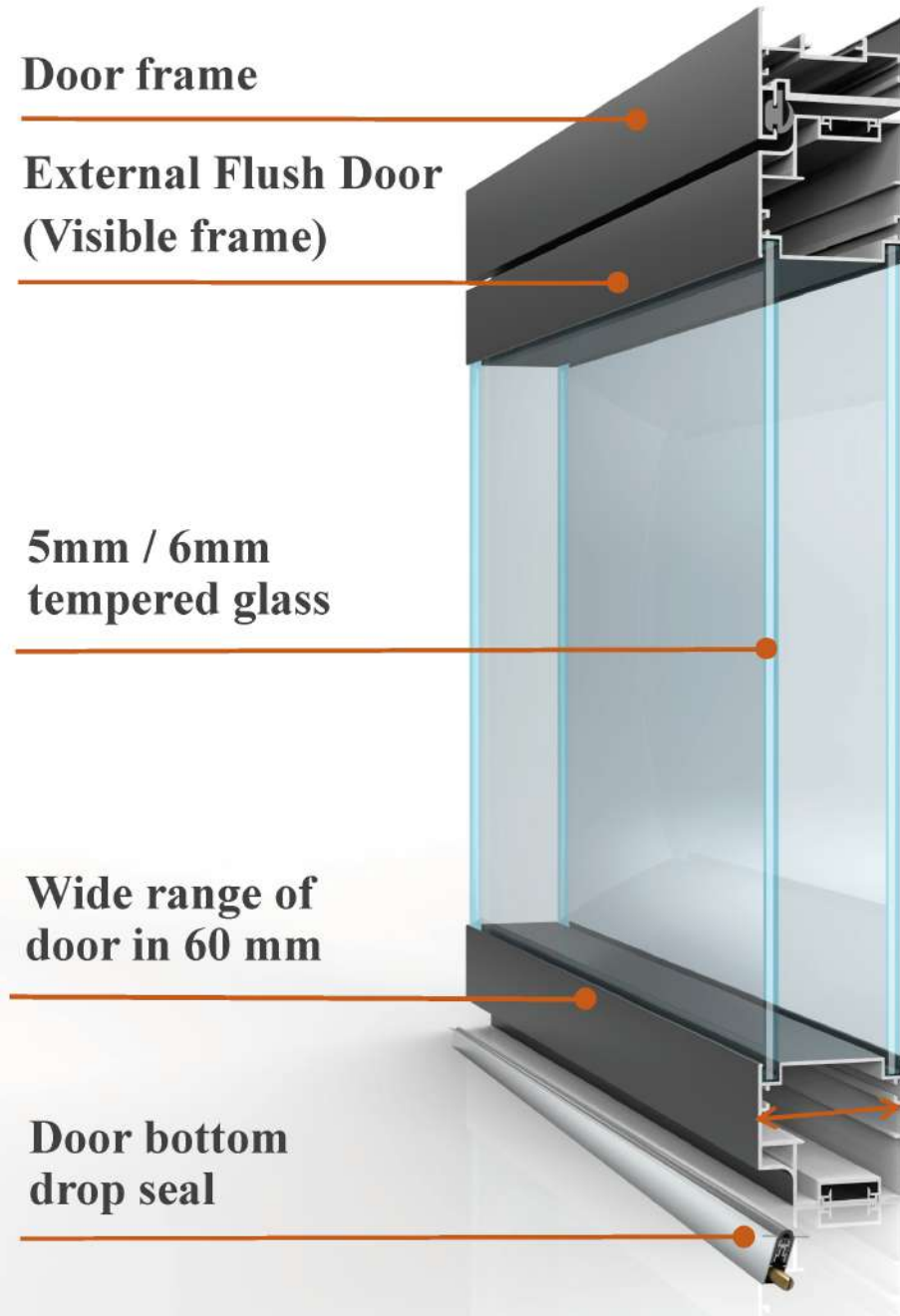
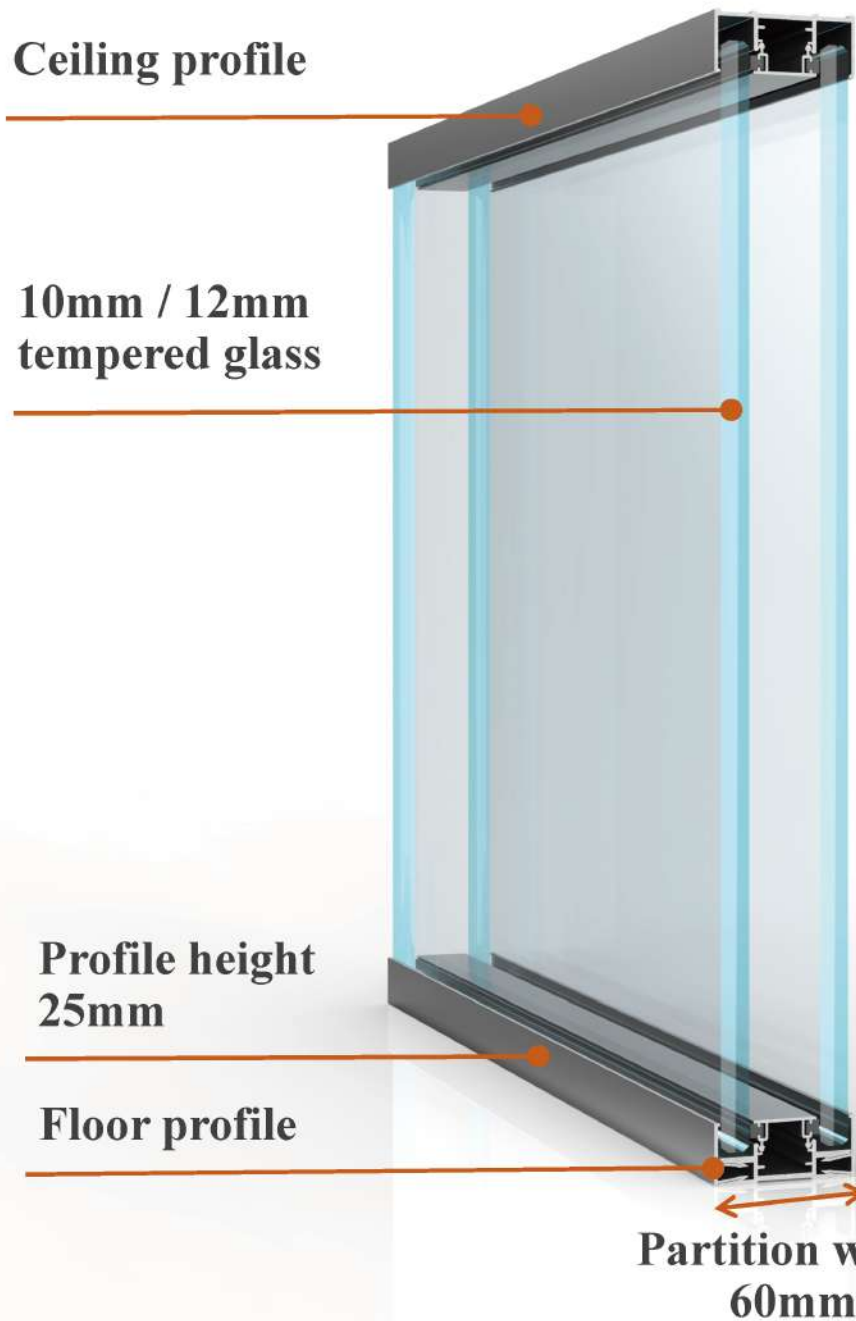
5mm / 6mm
tempered glass

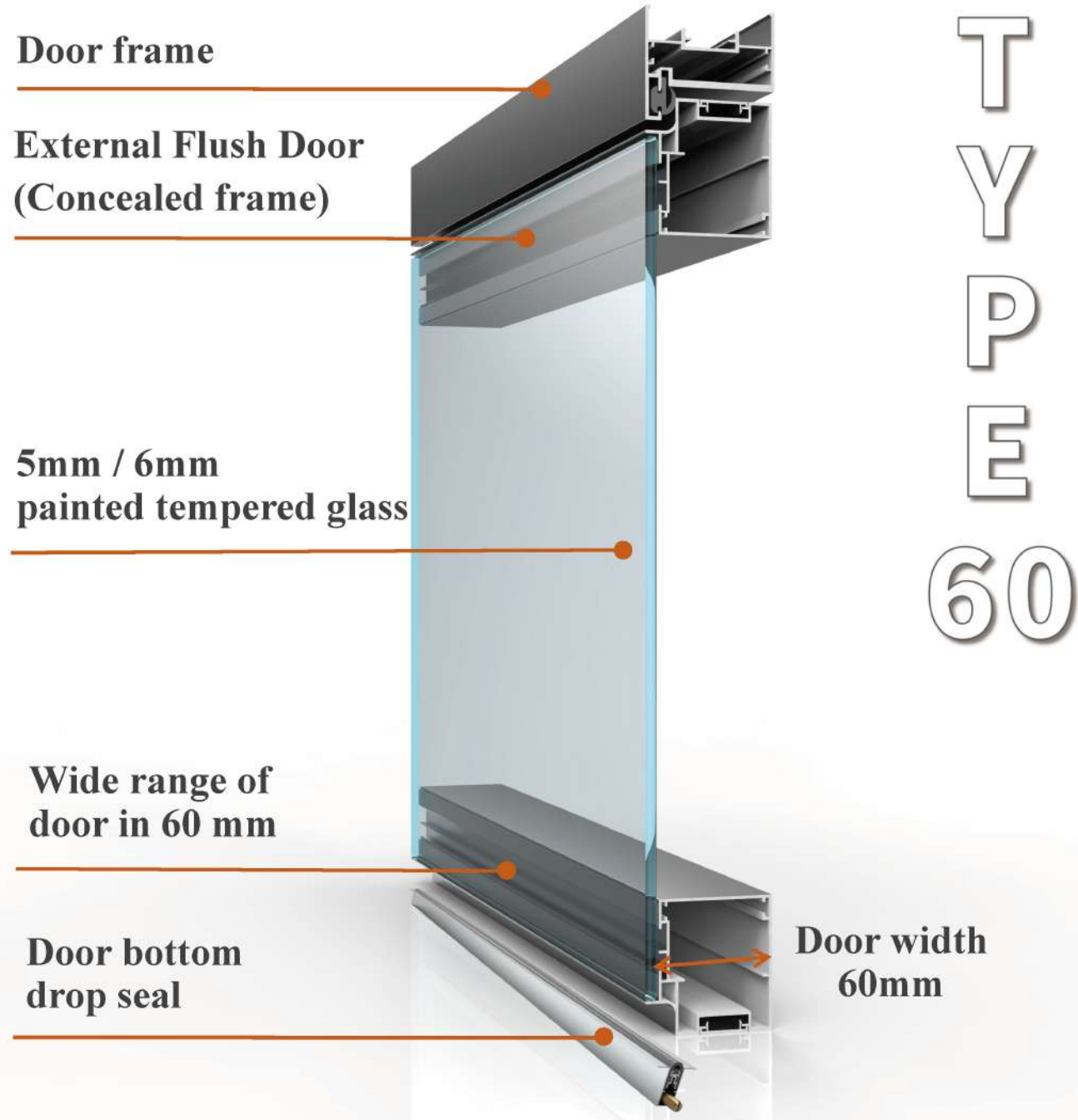
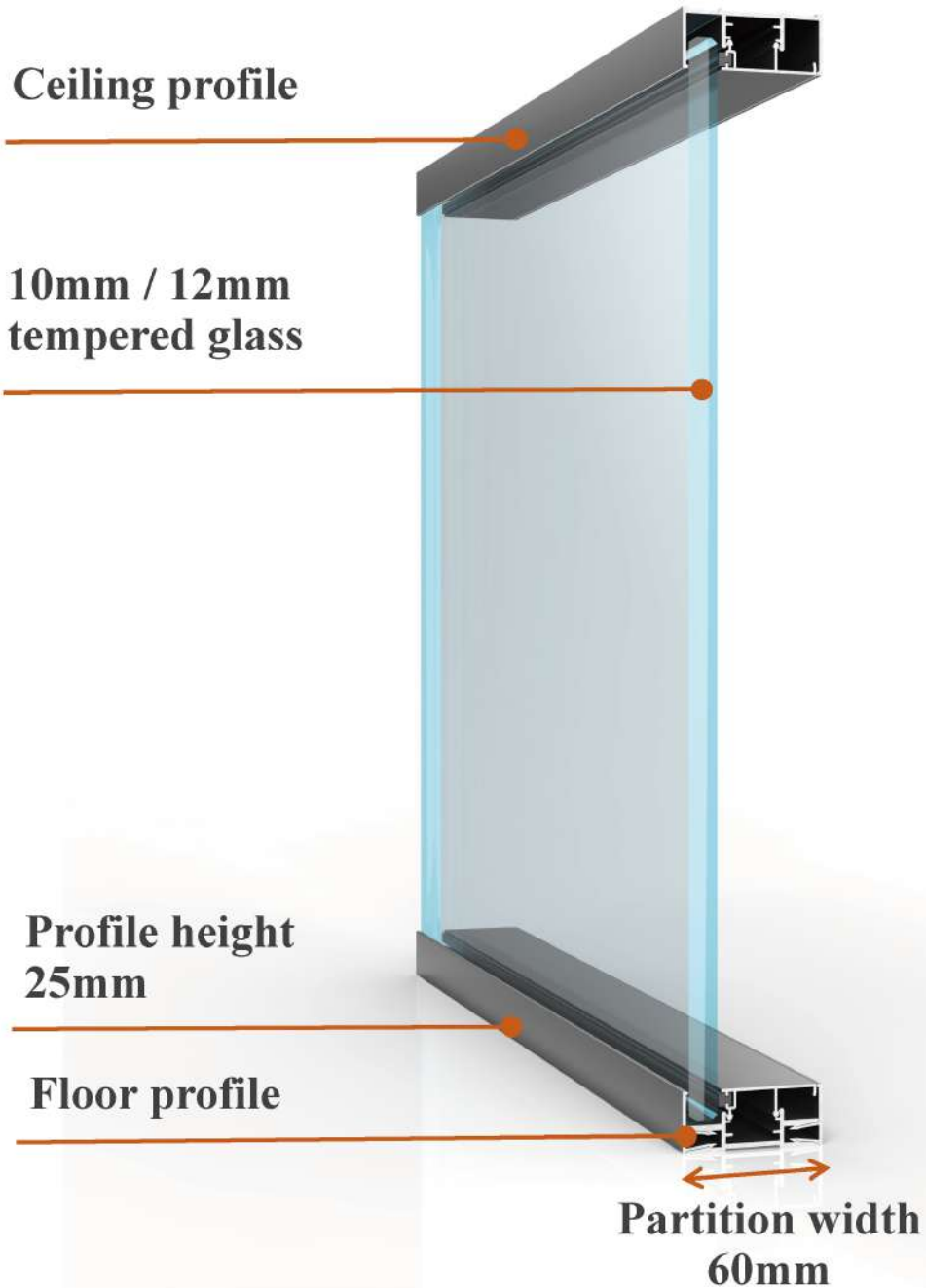
Wide range of
door in 60 mm

Door bottom
drop seal

Door width
60mm

T
Y
P
E
60





Ceiling profile

10mm / 12mm
tempered glass

Profile height
25mm

Floor profile

Partition width
90mm

Door frame

External Flush Door
(Visible frame)

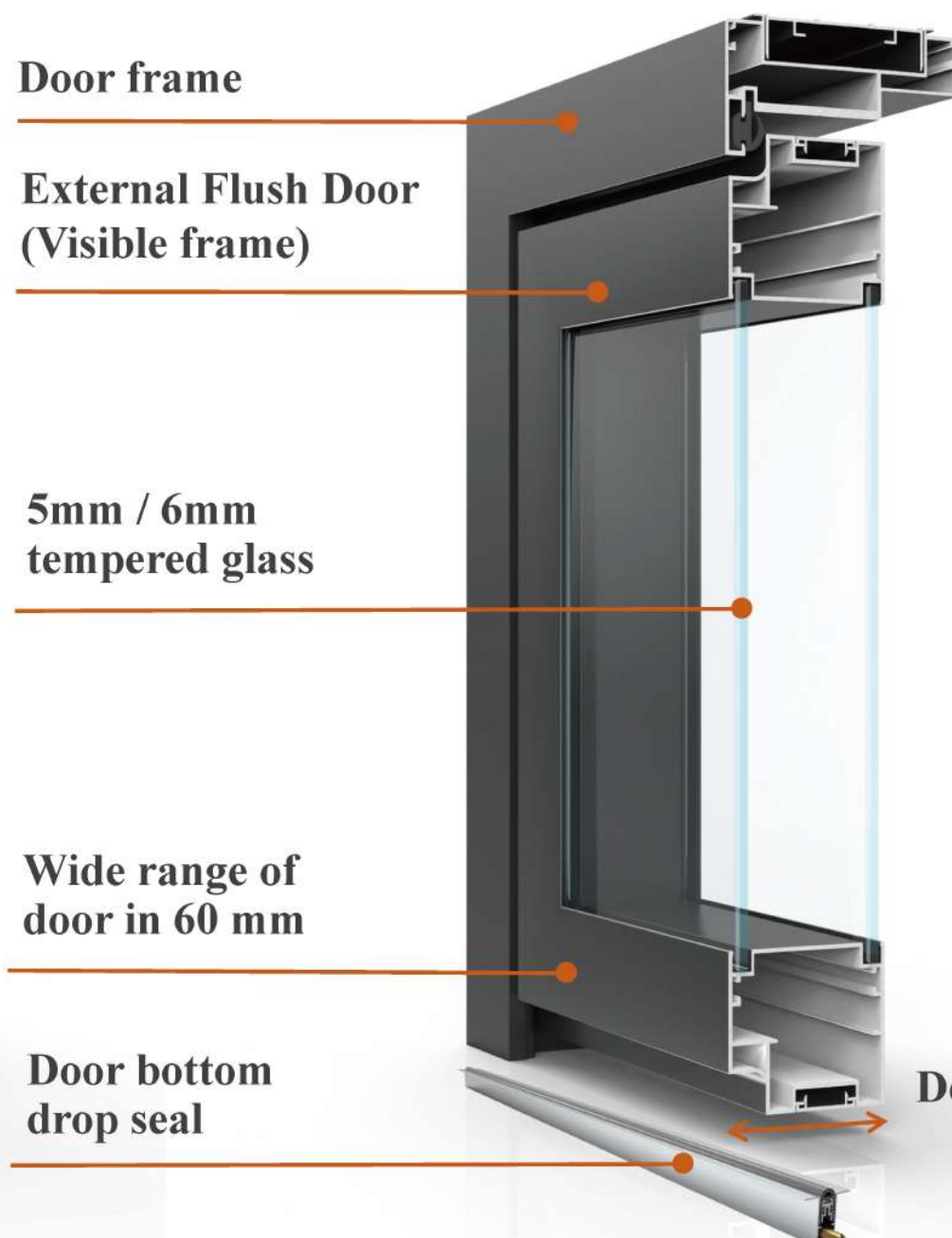
5mm / 6mm
tempered glass

Wide range of
door in 60 mm

Door bottom
drop seal

Door width
60mm

T
Y
P
E
90



Ceiling profile

10mm / 12mm
tempered glass

Profile height
25mm

Floor profile

Partition width
90mm

Door frame

External Flush Door
(Concealed frame)

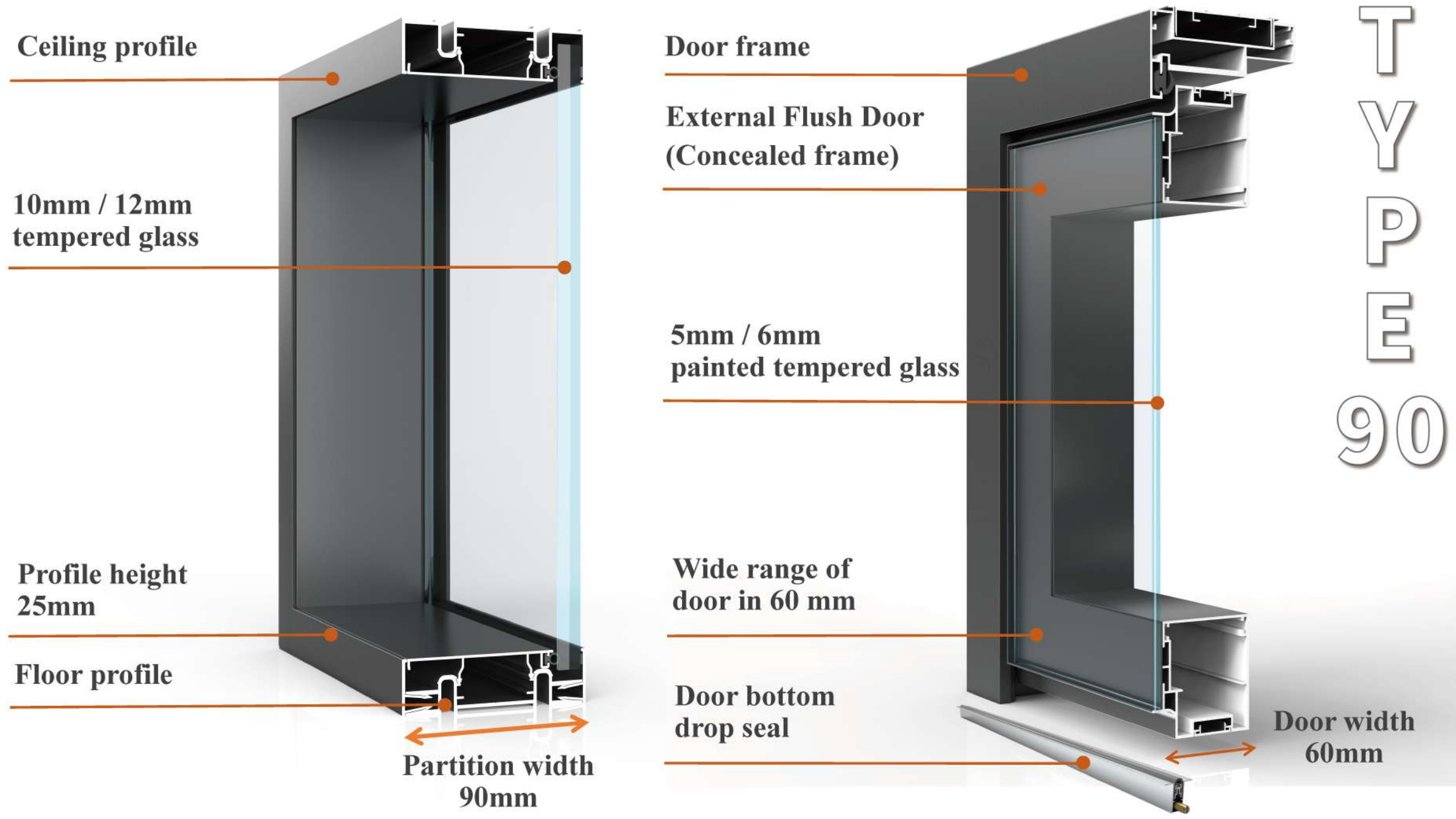
5mm / 6mm
painted tempered glass

Wide range of
door in 60 mm

Door bottom
drop seal

Door width
60mm

T
Y
P
E
90



Ceiling profile

**10mm / 12mm
tempered glass**

**Profile height
25mm**

Floor profile

**Partition width
108mm**

Door frame

**External Flush Door
(Visible frame)**

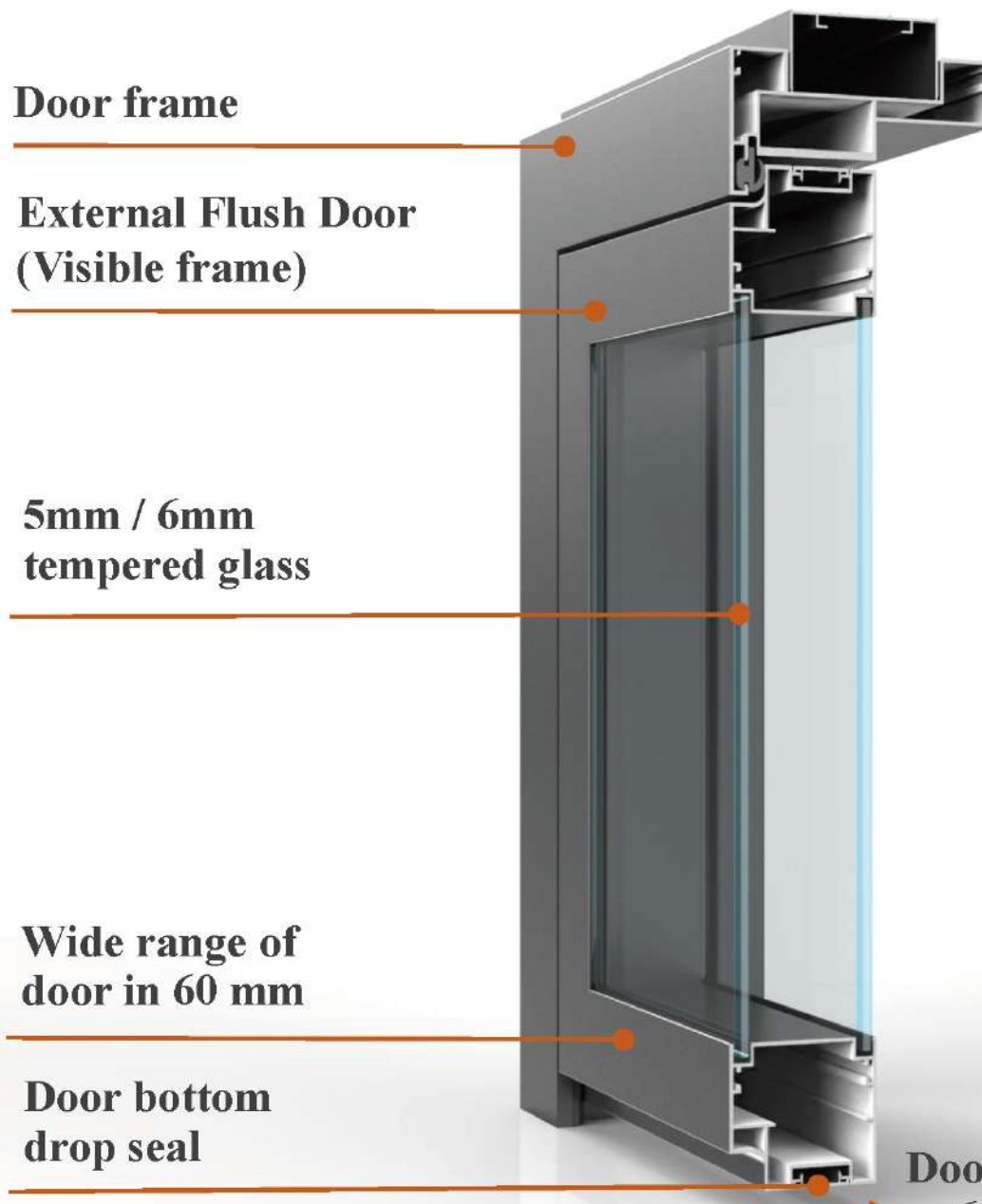
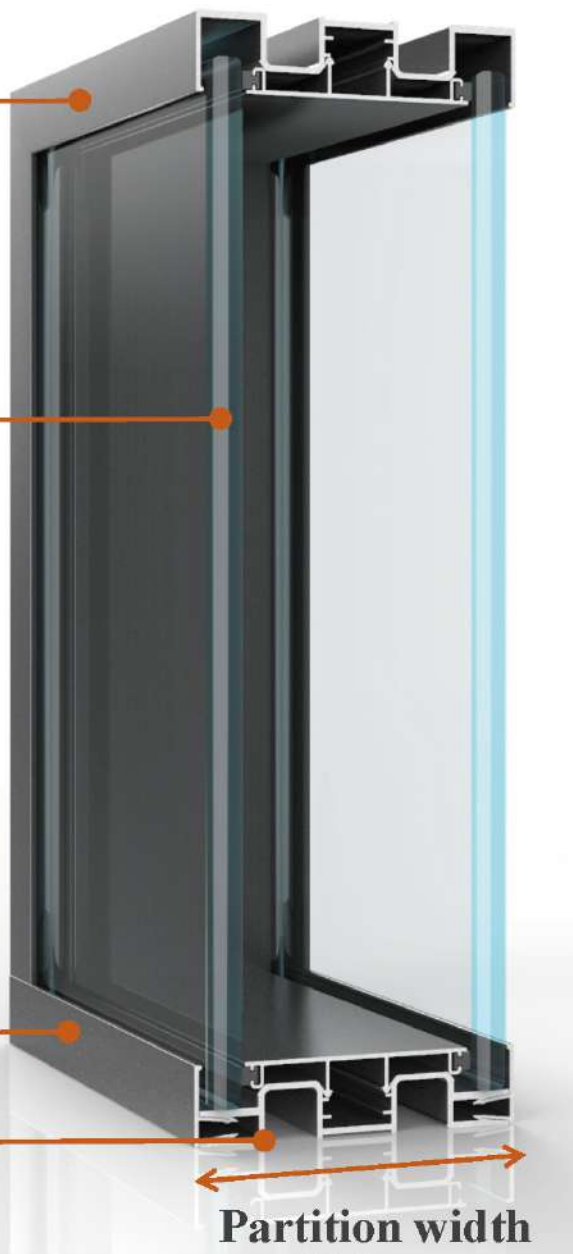
**5mm / 6mm
tempered glass**

**Wide range of
door in 60 mm**

**Door bottom
drop seal**

**Door width
60mm**

**T
Y
P
E
108**



Ceiling profile

10mm / 12mm
tempered glass

Profile height
25mm

Floor profile

Partition width
90mm

Door frame

External Flush Door
(Concealed frame)

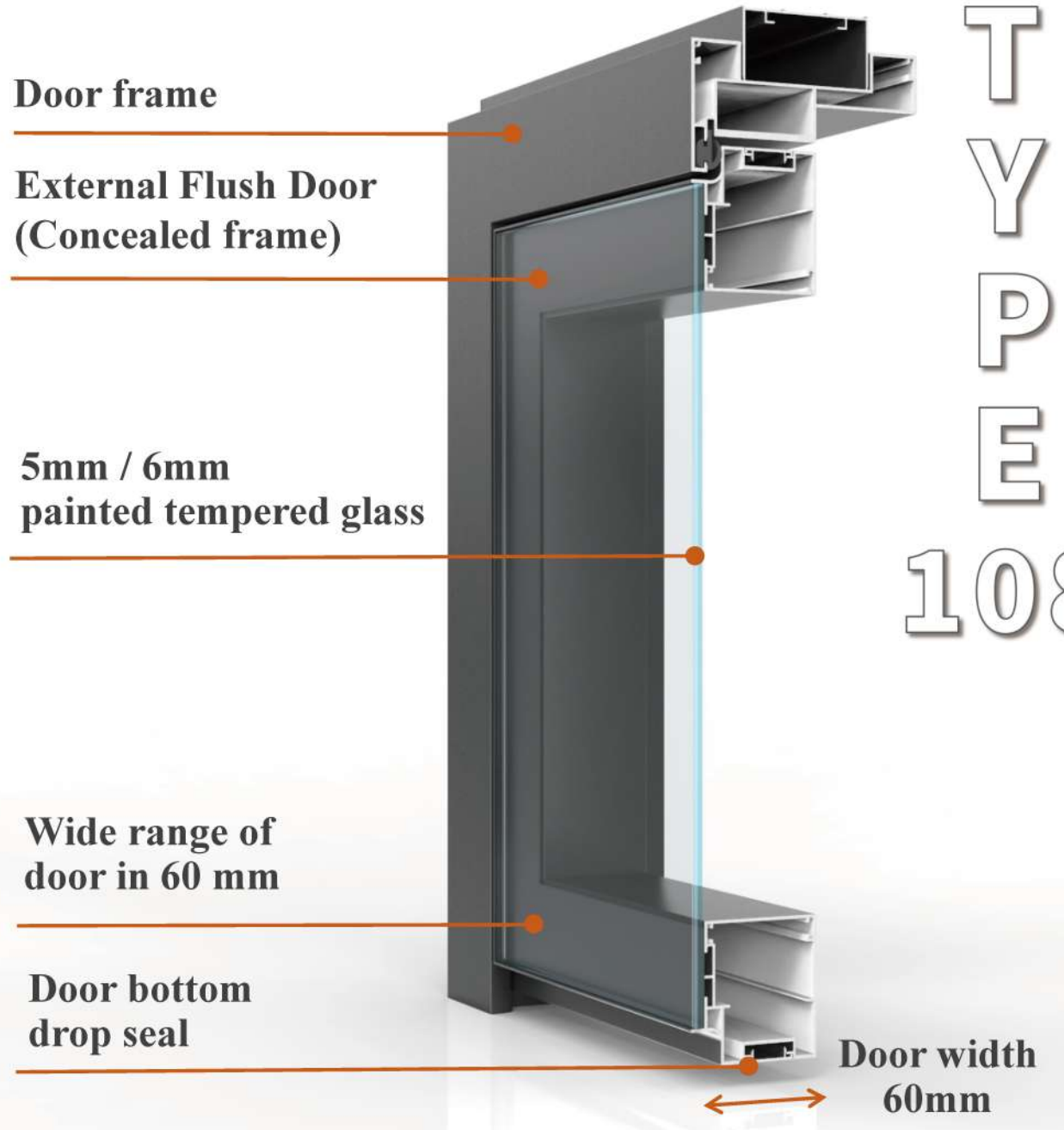
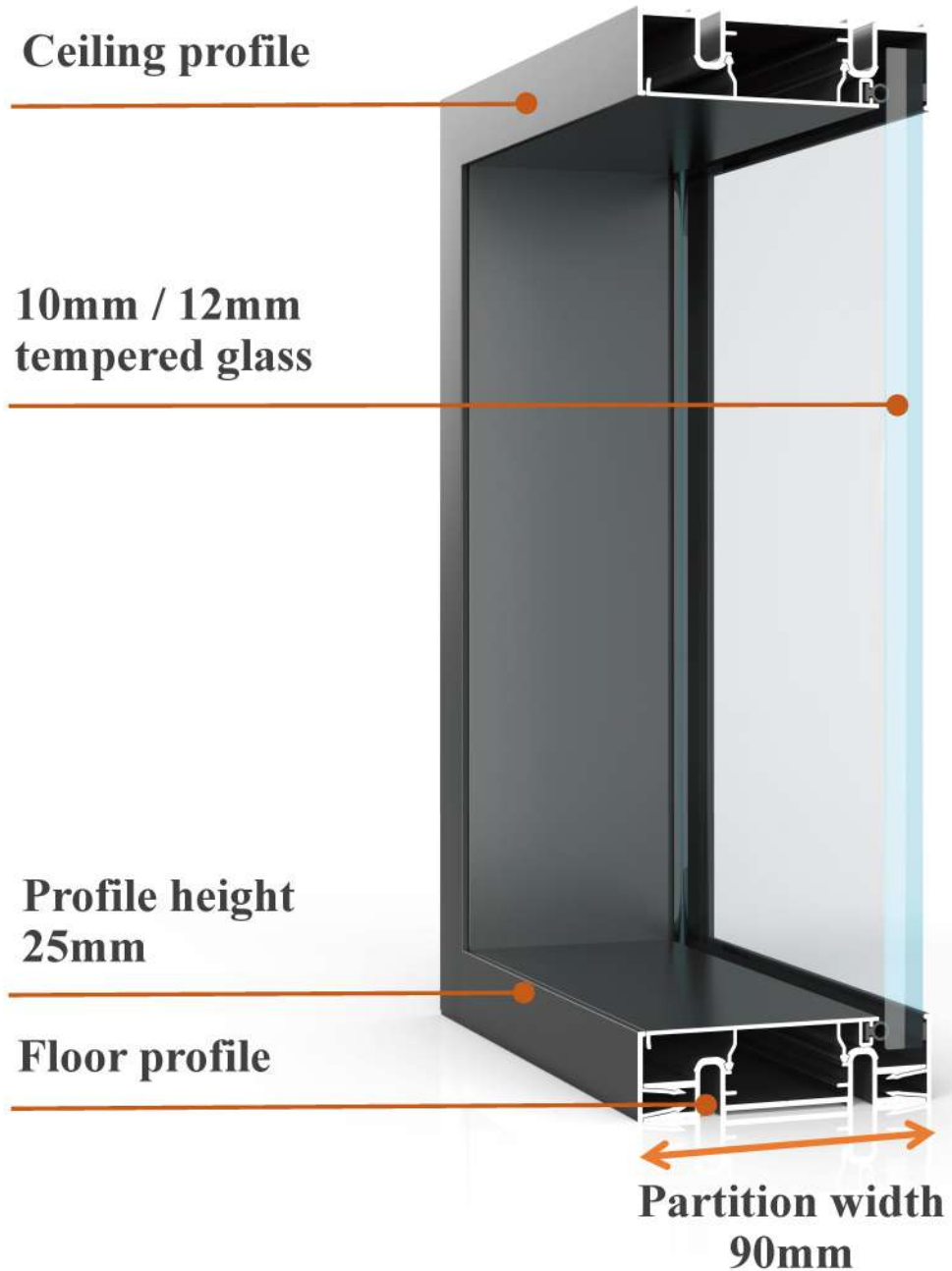
5mm / 6mm
painted tempered glass

Wide range of
door in 60 mm

Door bottom
drop seal

Door width
60mm

T
Y
P
E
108





Features & Benefits

Panoramic Series can be connected with extremely thin, barely visible 3M acrylic tape to connect polished cut glass.

Making the coupling of the glass panels invisible creates a transparent whole.

- **No vertical profiles**
- **Fully-glazed corners**
- **Minimalist profiles**
- **Fully remountable; sustainable and circular**
- **SGS Certification**
- **Sound insulation up to 43 dB**





HENG POH LIVING WALL

Project References



HENG POH LIVING WALL

Project References



HENG POH LIVING WALL

Project References



HENG POH LIVING WALL

Project References



HENG POH LIVING WALL

Project References



HENG POH LIVING WALL

Project References



HENG POH

GLASS ALUMINIUM SDN BHD

Reg. No.: 883158-P (200901040013)

TIN No.: C 21069517100

No.28, Jalan TPP 1/19,
Taman Perindustrian Puchong,
47100 Puchong, Selangor, Malaysia.

Website: hengpohglass.com.my

Website: henkko.com

TH Wong 0122128427



What's app



Wechat